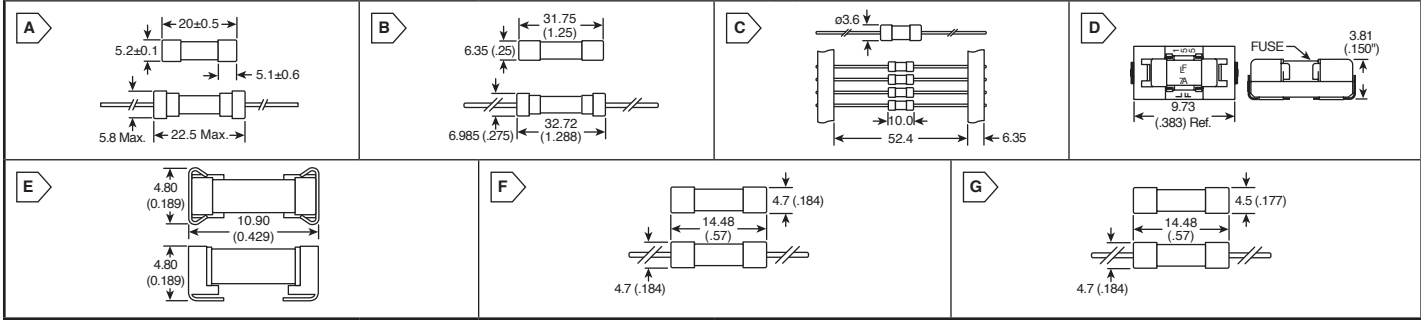


LITTELFUSE Fuses



RoHS Compliant This page of product is RoHS compliant.

DIMENSIONS: mm (in.)



Littelfuse Fuses & Fuse Holders

AXIAL LEAD AND CARTRIDGE FUSES

For quantities greater than listed, call for quote.

MOUSER STOCK NO.	Littelfuse Part No.	Fig.	Amp (A)	Volts (V)	Price Each		
					1	10	100
233 Series Medium-Acting Fuses							
576-023302.5MXP	023302.5MXP	A	2.5	125	.89	.665	.554
576-0233006.MXP	0233006.MXP	A	6	125	.89	.665	.554
234 Series Medium-Acting Fuses							
576-02341.25MXP	02341.25MXP	A	1.25	250	.97	.73	.608
576-023402.5MXP	023402.5MXP	A	2.5	250	.97	.73	.608
576-0234003.MXP	0234003.MXP	A	3	250	.97	.73	.608
576-02343.15MXP	02343.15MXP	A	3.15	250	.97	.73	.608
505 Series Fast-Acting Fuses							
576-0505010.MXP	0505010.MXP	B	10	450	3.42	2.97	2.06
576-0505012.MXP	0505012.MXP	B	12	450	3.42	2.97	2.06
576-0505015.MXP	0505015.MXP	B	15	500	4.12	3.57	2.47
576-0505016.MXP	0505016.MXP	B	16	500	3.90	3.38	2.34
576-0505020.MXP	0505020.MXP	B	20	500	3.90	3.38	2.34
576-0505025.MXP	0505025.MXP	B	25	500	4.35	4.05	2.63
576-0505030.MXP	0505030.MXP	B	30	500	4.35	4.05	2.63
874 Series Fast-Acting Fuses							
576-0874.100MXP	0874.100MXP	C	.100	250	2.50	2.15	1.55
576-0874.200MXP	0874.200MXP	C	.200	250	2.60	1.98	1.60
576-0874.250MXP	0874.250MXP	C	.250	250	2.55	2.00	1.50
576-0874.400MXP	0874.400MXP	C	.400	250	2.60	1.98	1.60
576-0874.500MXP	0874.500MXP	C	.500	250	1.94	1.53	1.16
576-0874001.MXP	0874001.MXP	C	1	250	1.82	1.56	1.13
576-0874004.MXP	0874004.MXP	C	4	250	1.89	1.44	1.16
576-0874005.MXP	0874005.MXP	C	5	250	1.85	1.45	1.09
576-0874006.MXP	0874006.MXP	C	6	250	1.89	1.44	1.16
576-0874007.MXP	0874007.MXP	C	7	250	1.86	1.59	1.15
576-0874008.MXP	0874008.MXP	C	8	250	1.82	1.44	1.09
576-087401.5MXP	087401.5MXP	C	1.5	250	1.86	1.59	1.15
576-087402.5MXP	087402.5MXP	C	2.5	250	1.89	1.44	1.16
576-087406.3MXP	087406.3MXP	C	6.3	250	1.82	1.56	1.13
576-08743.15MXP	08743.15MXP	C	3.15	250	1.89	1.44	1.16
576-0874010.MXP	0874010.MXP	C	10	250	1.82	1.56	1.13
576-0874002.MXP	0874002.MXP	C	2	250	1.82	1.56	1.13
876 Series Fast-Acting Fuses							
576-0876002.MXP	0876002.MXP	C	2	250	.83	.624	.52
576-0876005.MXP	0876005.MXP	C	5	250	.83	.624	.52
576-087601.6MXP	087601.6MXP	C	1.6	250	.85	.636	.53
576-0876.160MXP	0876.160MXP	C	.160	250	1.55	1.16	.973
576-0876.630MXP	0876.630MXP	C	.630	250	.83	.624	.52

875 AND 877 SERIES SLO-BLO PIGTAIL FUSES

- Features:
- Slo-Blo ceramic body
 - 3.6x10mm size axial fuse in compact package
 - Lead format

For quantities greater than listed, call for quote.

MOUSER STOCK NO.	Littelfuse Part No.	Fig.	Amp (A)	Volts (V)	Price Each		
					1	10	100
875 Series							
576-0875.100MXP	0875.100MXP	C	.1	250	2.89	2.19	1.77
576-0875.125MXP	0875.125MXP	C	.125	250	2.89	2.19	1.77
576-0875.250MXP	0875.250MXP	C	.25	250	2.89	2.19	1.77
576-0875.300MXP	0875.300MXP	C	.3	250	2.77	2.38	1.72
576-0875.500MXP	0875.500MXP	C	.5	250	2.21	1.90	1.37
576-0875.600MXP	0875.600MXP	C	.6	250	2.21	1.90	1.37
576-0875.800MXP	0875.800MXP	C	.8	250	2.25	1.94	1.40
576-0875001.MXP	0875001.MXP	C	1	250	2.08	1.79	1.29
576-087501.6MXP	087501.6MXP	C	1.6	250	2.12	1.83	1.32
576-0875002.MXP	0875002.MXP	C	2	250	2.08	1.79	1.29
576-087502.5MXP	087502.5MXP	C	2.5	250	2.08	1.79	1.29
576-0875003.MXP	0875003.MXP	C	3	250	2.08	1.79	1.29
576-0875004.MXP	0875004.MXP	C	4	250	2.16	1.64	1.34
576-0875005.MXP	0875005.MXP	C	5	250	2.08	1.79	1.29
877 Series							
576-0877002.MXP	0877002.MXP	C	2	250	1.46	1.10	.912
576-08773.15MXP	08773.15MXP	C	3.15	250	1.46	1.10	.912
576-0877004.MXP	0877004.MXP	C	4	250	1.46	1.10	.912
576-087706.3MXP	087706.3MXP	C	6.3	250	1.46	1.10	.912

SMF OMNI-BLOK® FUSE HOLDER WITH FUSES

For quantities greater than listed, call for quote.

MOUSER STOCK NO.	Littelfuse Part No.	Fig.	Amp (A)	Volts (V)	Price Each		
					1	10	100
154 Series-Very Fast Acting Fuses							
576-0154.062DR	0154.062DR	D	.062	125	4.61	4.30	2.78
576-0154.125DR	0154.125DR	D	.125	125	3.01	2.59	1.87
576-0154.250DR	0154.250DR	D	.25	125	2.86	2.46	1.78
576-0154.500DR	0154.500DR	D	.5	125	2.86	2.46	1.78
576-0154.750DR	0154.750DR	D	.75	125	2.43	2.09	1.51
576-0154001.DR	0154001.DR	D	1	125	2.43	2.09	1.51
576-015401.5DR	015401.5DR	D	1.5	125	2.43	2.09	1.51
576-0154002.DR	0154002.DR	D	2	125	2.43	2.09	1.51
576-015402.5DR	015402.5DR	D	2.5	125	2.43	2.09	1.51
576-0154003.DR	0154003.DR	D	3	125	2.43	2.09	1.51
576-015403.5DR	015403.5DR	D	3.5	125	2.43	2.09	1.51
576-0154004.DR	0154004.DR	D	4	125	2.43	2.09	1.51
576-0154005.DR	0154005.DR	D	5	125	2.43	2.09	1.51
576-015406.3DR	015406.3DR	D	6.3	125	2.43	2.09	1.51
576-0154007.DR	0154007.DR	D	7	125	2.43	2.09	1.51
576-0154008.DR	0154008.DR	D	8	125	2.43	2.09	1.51
576-0154010.DR	0154010.DR	D	10	125	2.60	2.23	1.61
154T Series- SLO-BLO® Fuses							
576-0154.375DRT	0154.375DRT	D	.375	125	3.41	2.96	2.05
576-0154.500DRT	0154.500DRT	D	.5	125	3.41	2.96	2.05
576-0154.750DRT	0154.750DRT	D	.75	125	3.14	2.70	1.95
576-0154001.DRT	0154001.DRT	D	1	125	3.14	2.70	1.95
576-015401.5DRT	015401.5DRT	D	1.5	125	3.14	2.70	1.95
576-0154002.DRT	0154002.DRT	D	2	125	3.14	2.23	1.54
576-015402.5DRT	015402.5DRT	D	2.5	125	3.14	2.70	1.95
576-0154003.DRT	0154003.DRT	D	3	125	3.14	2.70	1.95
576-015403.5DRT	015403.5DRT	D	3.5	125	3.14	2.70	1.95
576-0154004.DRT	0154004.DRT	D	4	125	3.14	2.70	1.95
576-0154005.DRT	0154005.DRT	D	5	125	3.14	2.70	1.95

160 SERIES - FUSE AND CLIP ASSEMBLY

- Features:
- Come supplied with Littelfuse 443 Series Time-Lag 250V Nano2® Fuse

For quantities greater than listed, call for quote.

MOUSER STOCK NO.	Littelfuse Part No.	Fig.	Amp (A)	Volts (V)	Price Each		
					1	10	100
576-0160.500MR	0160.500MR	E	.5	250	3.22	2.58	1.94
576-0160.750MR	0160.750MR	E	.75	250	3.22	2.58	1.94
576-0160001.MR	0160001.MR	E	1	250	3.26	2.83	1.96
576-0160002.MR	0160002.MR	E	2	250	3.26	2.83	1.96
576-0160003.MR	0160003.MR	E	3	250	3.10	2.48	1.86
576-0160004.MR	0160004.MR	E	4	250	3.22	2.58	1.94
576-0160005.MR	0160005.MR	E	5	250	3.22	2.58	1.94
576-016001.5MR	016001.5MR	E	1.5	250	3.26	2.83	1.96
576-016002.5MR	016002.5MR	E	2.5	250	3.16	2.42	1.87
576-016003.5MR	016003.5MR	E	3.5	250	3.22	2.58	1.94

208 SERIES 2AG, FAST-ACTING FUSES

For quantities greater than listed, call for quote.

MOUSER STOCK NO.	Littelfuse Part No.	Fig.	Amp (A)	Volts (V)	Price Each		
					1	10	100
576-0208002.MXEP	0208002.MXEP	F	2	350	.64	.507	.421
576-0208003.MXEP	0208003.MXEP	F	3	350	.64	.507	.421
576-0208004.MXEP	0208004.MXEP	F	4	350	.64	.507	.421
576-0208005.MXEP	0208005.MXEP	F	5	350	.64	.507	.421
576-0208007.MXEP	0208007.MXEP	F	7	350	.64	.507	.421

209 SERIES 2AG, SLO-BLO (TIME-LAG) FUSES

For quantities greater than listed, call for quote.

MOUSER STOCK NO.	Littelfuse Part No.	Fig.	Amp (A)	Volts (V)	Price Each		
					1	10	100
576-0209.500MXEP	0209.500MXEP	G	.5	350	.87	.653	.544
576-0209.750MXEP	0209.750MXEP	G	.75	350	.90	.676	.564
576-0209001.MXEP	0209001.MXEP	G	1	350	.87	.651	.542