

NPN - METAL CAN - SWITCHING AND GENERAL PURPOSE (Cont'd.)

TYPE NO.	V <sub>CB</sub>	V <sub>CE</sub>	V <sub>EB</sub>	h <sub>FE</sub>	at	I <sub>C</sub>	V <sub>CE</sub>	V <sub>CE(s)</sub> at I <sub>B</sub>	I <sub>C</sub>	f <sub>T</sub>	C <sub>ob</sub>	I <sub>CB0</sub> at V <sub>CB</sub>	CASE		
	V	V	V	min	max	mA	V	V	mA	mA	MHz	pF		μA	V
2N910	100	60	7	75	—	10	10	1.2	5	50	60	15	.025	75	TO-18
2N911	100	60	7	35	—	10	10	1.2	5	50	50	15	.025	75	TO-18
2N912	100	60	7	15	—	10	10	1.2	5	50	40	15	.025	75	TO-18
2N956	75	50	7	100	300	150	10	1.5	15	150	70	25	.01	60	TO-18
2N1052	200	155	6	20	80	200	6	5	20	200	8	50	10	200	TO-5
2N1053	180	135	6	20	80	200	6	5	20	200	8	50	10	180	TO-5
2N1054	125	115	6	20	80	200	6	4	20	200	8	50	5	125	TO-5
2N1055	100	100	6	20	80	50	6	2	5	50	3	—	15	100	TO-5
2N1116	60	60	6	40	150	500	6	5	50	500	6	80	15	60	TO-5
2N1117	60	60	6	40	150	200	6	4	20	200	4	—	15	60	TO-5
2N1420	60	30	5	100	300	150	10	1.5	15	150	50	35	1	30	TO-5
2N1420A	30	28	7	100	300	150	10	1.5	15	150	60	25	—	—	TO-5
2N1445	120	120	8	20	80	200	10	4	40	200	—	—	10	120	TO-5
2N1479	60	40	12	20	60	200	4	1.4	20	200	1.5	—	10	30	TO-5
2N1480	100	55	12	20	60	200	4	1.4	20	200	1.5	—	10	30	TO-5
2N1481	60	40	12	35	100	200	4	1.4	10	200	1.5	—	10	30	TO-5
2N1482	100	55	12	35	100	200	4	1.4	10	200	1.5	—	10	30	TO-5
2N1507	60	25	5	100	300	150	10	1.5	15	150	50	35	—	—	TO-5
2N1572	125	80	5	15	50	5	5	1	2	10	30	10	1	40	TO-5
2N1573	125	80	5	30	100	5	5	1	2	10	60	10	1	40	TO-5
2N1574	125	80	5	60	200	5	5	1	2	10	60	10	1	40	TO-5
2N1613	75	40	7	40	120	150	10	1.5	15	150	60	25	.01	60	TO-5
2N1613A	75	40	7	40	120	150	10	1.0	15	150	60	25	—	—	TO-5
2N1613B	120	50	7	40	120	150	10	0.2	15	150	60	10	—	—	TO-5
2N1615	100	100	8	25	—	5	10	5	5	50	5	—	2	60	TO-5
2N1700	60	40	6	20	80	100	4	10	10	100	—	100	500	60	TO-5
2N1711	75	50	7	100	300	150	10	1.5	15	150	70	25	0.010	60	TO-5
2N1711A	35	32	7	100	300	150	10	1.0	15	150	70	25	—	—	TO-5
2N1711B	120	50	7	100	300	150	10	0.2	15	150	70	10	—	—	TO-5
2N1714	60	60	6	20	60	200	5	2	20	200	16	50	2	60	TO-5
2N1715	100	100	6	20	60	200	5	2	20	200	16	50	2	60	TO-5
2N1716	60	60	6	40	120	200	5	2	20	200	16	50	2	60	TO-5
2N1717	100	100	6	40	120	200	5	2	20	200	16	50	—	—	TO-5
2N1889	100	60	7	40	120	150	10	5.0	15	150	50	15	.01	75	TO-5
2N1890	100	60	7	100	300	150	10	5.0	15	150	60	15	.01	75	TO-5
2N1893	120	80	7	40	120	150	10	5	15	150	50	15	.01	90	TO-5
2N1893A	140	80	7	40	120	150	10	2.0	15	150	100	8	—	—	TO-5
2N1972	60	25	5	110	350	50	10	2	5	50	50	35	1	30	TO-5
2N1973	100	60	7	75	—	10	10	1.2	5	50	60	15	.025	75	TO-5
2N1974	100	60	7	35	—	10	10	1.2	5	50	50	15	.025	75	TO-5
2N1975	100	60	7	15	—	10	10	1.2	5	50	40	15	.025	75	TO-5
2N1983	50	25	5	70	240	5	5	.25	.5	5	40	45	5	30	TO-5
2N1984	50	25	5	35	120	5	5	.25	.5	5	40	45	5	30	TO-5
2N1985	50	25	5	15	80	5	5	.25	.5	5	40	45	5	30	TO-5
2N1986	50	25	5	60	240	150	10	1.5	15	150	40	35	5	30	TO-5
2N1987	50	25	5	20	80	150	10	1.5	15	150	40	35	5	30	TO-5
2N1988	100	45	5	35	120	30	10	2.0	3	30	40	20	5	50	TO-5
2N1989	100	45	5	20	60	30	10	2.0	3	30	40	20	5	50	TO-5
2N1990	60	60	3	20	—	30	10	0.5	0.2	2	—	—	—	—	TO-5
2N2017	60	60	8	50	200	200	10	2.0	20	200	—	—	10	30	TO-39
2N2049	75	40	7	100	300	150	10	.4	1	10	50	25	.01	60	TO-5
2N2102	120	65	7	40	120	150	10	0.5	15	150	60	10	.002	60	TO-5
2N2102A	120	65	7	40	120	150	10	0.3	15	150	60	15	—	—	TO-5
2N2106	60	60	8	12	36	200	10	5	40	200	—	—	10	30	TO-5
2N2107	60	60	8	30	90	200	10	2	40	200	—	—	10	30	TO-5
2N2192	60	40	5	100	300	150	10	.35	15	150	50	20	.01	30	TO-5
2N2192A	60	40	5	100	300	150	10	.25	15	150	50	20	.01	30	TO-5
2N2192B	60	40	5	100	300	150	10	.18	15	150	50	20	.01	30	TO-5
2N2193	80	50	8	40	120	150	10	—	15	150	50	20	.01	60	TO-5
2N2193A	80	50	8	40	120	150	10	—	15	150	50	20	.01	60	TO-5
2N2193B	80	50	8	40	120	150	10	0.18	15	150	50	20	—	—	TO-5
2N2194	60	40	5	20	60	150	10	—	15	150	50	20	.01	30	TO-5
2N2194A	60	40	5	20	60	150	10	—	15	150	50	20	.01	30	TO-5
2N2194B	60	40	5	20	60	150	10	.18	15	150	50	20	.01	30	TO-5
2N2195	45	25	5	20	—	150	10	.35	15	150	50	20	.10	30	TO-5
2N2195A	45	25	5	20	—	150	10	.25	15	150	50	20	.10	30	TO-5
2N2195B	45	25	5	20	—	150	10	.18	15	150	50	20	.10	30	TO-5
2N2217	60	30	5	20	60	150	10	0.4	15	150	250	8	0.01	50	TO-5
2N2218	60	30	5	40	120	150	10	0.4	15	150	250	8	0.01	50	TO-5
2N2218A	75	40	6	40	120	150	10	0.3	15	150	250	8	0.01	60	TO-5

# CASE OUTLINE DRAWINGS

D



CASE A

CBR1 Series  
CBR2 Series



CASE B

CBR1-L Series  
CBR2-L Series



CASE C

CBR3-P Series



CASE D

CBR4-L Series



CASE E

CBR8 Series



CASE F

CBR10 Series, CBR25 Series  
CBR12 Series, CBR30 Series

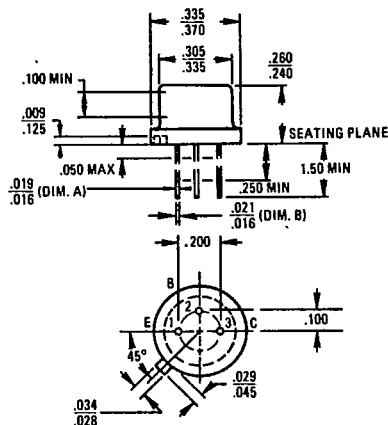
All Dimensions in Inches (Millimeters)

Drawings Not To Scale

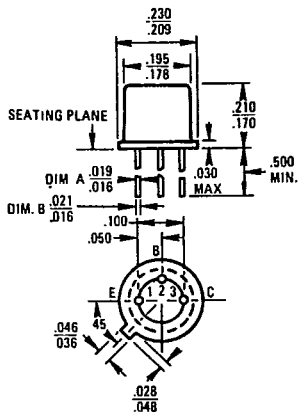
f

# MECHANICAL OUTLINE DRAWINGS

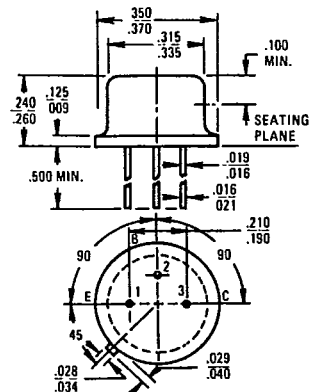
TO-5



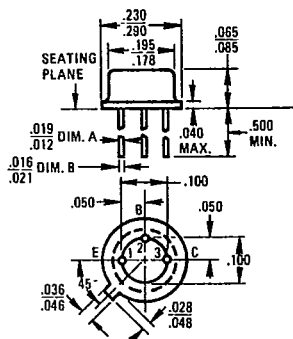
TO-18



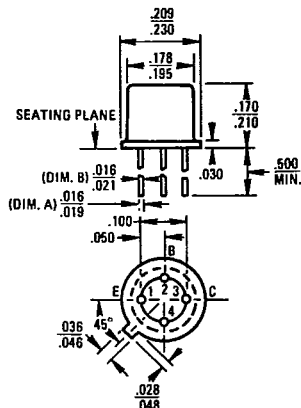
TO-39



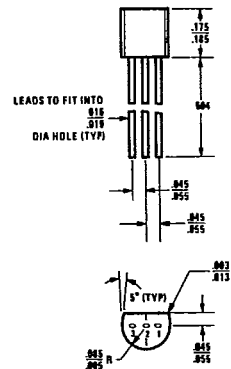
TO-46



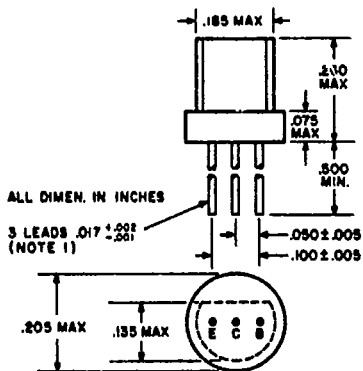
TO-72



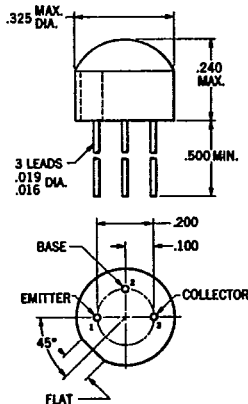
TO-92



TO-98



TO-105



TO-106

