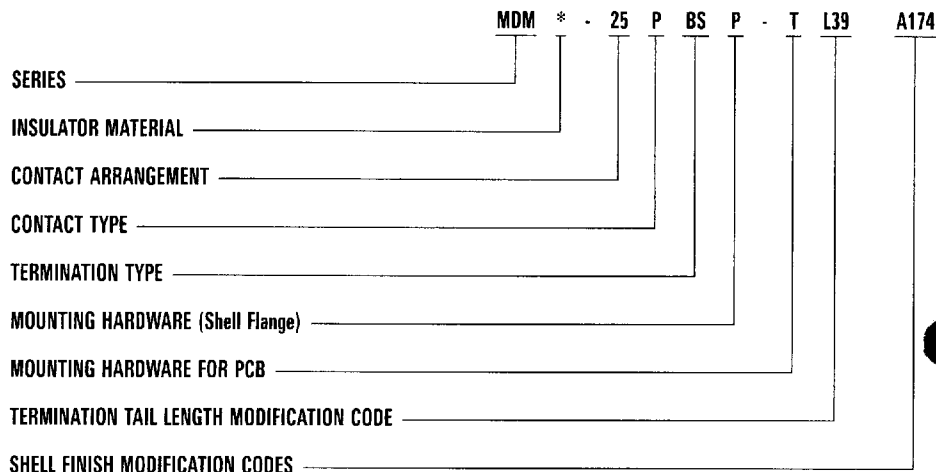


MDM-PCB connectors are designed for use with flex circuitry, flat cable and printed circuit boards or multi-layer boards. They use the standard MDM metal shell and provide high density and high reliability in board-to-board, board-to-cable and cable-to-cable applications.

MDM-PCB connectors are available in 8 shell sizes with 9 to 100 contacts. Terminations may be straight (BS) or at 90° (BR, CBR) board thickness. Jackpost mounting for use with locking hardware is also available.

How to Order – MDM-PCB Series



Microminiature Connectors

Datasheet.Live

**SERIES**  
MDM – Micro "D" Metal Shell

**INSULATOR MATERIAL**  
No Letter – Dialyl Phthalate  
V – Polyester (Valox)

**CONTACT ARRANGEMENT**  
9, 15, 21, 25, 31, 37, 51 and 100  
Size 100 not available in "BR"

**CONTACT TYPE**  
P – Pin (Plug)  
S – Socket (Receptacle)

**TERMINATION TYPE**  
BS – Straight PCB Termination  
BR – 90° PCB Termination  
CBR – 90° Narrow Profile PCB Terminations

**MOUNTING HARDWARE (Shell Flange)**  
P – Jackposts  
M7 – Jackposts  
M83513/5-07 (Sizes 9-51)  
M17 – Jackposts  
M83513/5-17 (Size 100)  
No letter – none

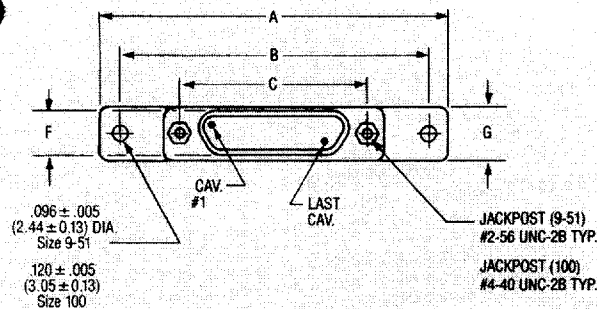
**MOUNTING HARDWARE FOR PCB**  
T – Threaded Insert  
#2-56 Thd for Shell Sizes 9 thru 51  
#4-40 Thd for Shell Size 100  
No letter – none

**TERMINATION TAIL LENGTH MODIFICATION CODE**  
None – .109 (2.77) ± .015 (0.38) Standard  
L61 – .125 (3.18)  
L56 – .150 (3.81)  
L57 – .190 (4.83)  
L39 – .250 (6.35)  
L58 – .375 (9.52)

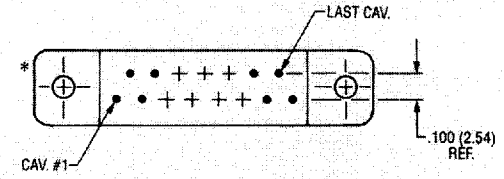
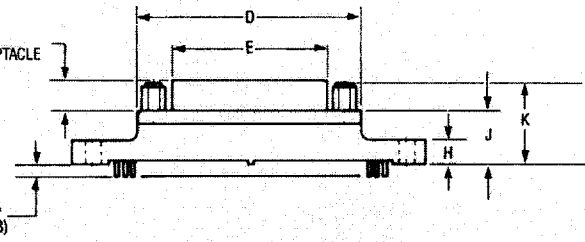
**SHELL FINISH MODIFICATION CODES**  
None – Yellow Chromate/Cadmium over Nickel  
A174 – Electroless Nickel  
A172 – Gold over Nickel  
A141 – Irridite/Alodine  
A30 – Black Anodize  
(For special modification codes, consult factory.)

**NOTE:** Back molding material – Epoxy Hysol #MG8F-0134

BS (Board Straight) Series



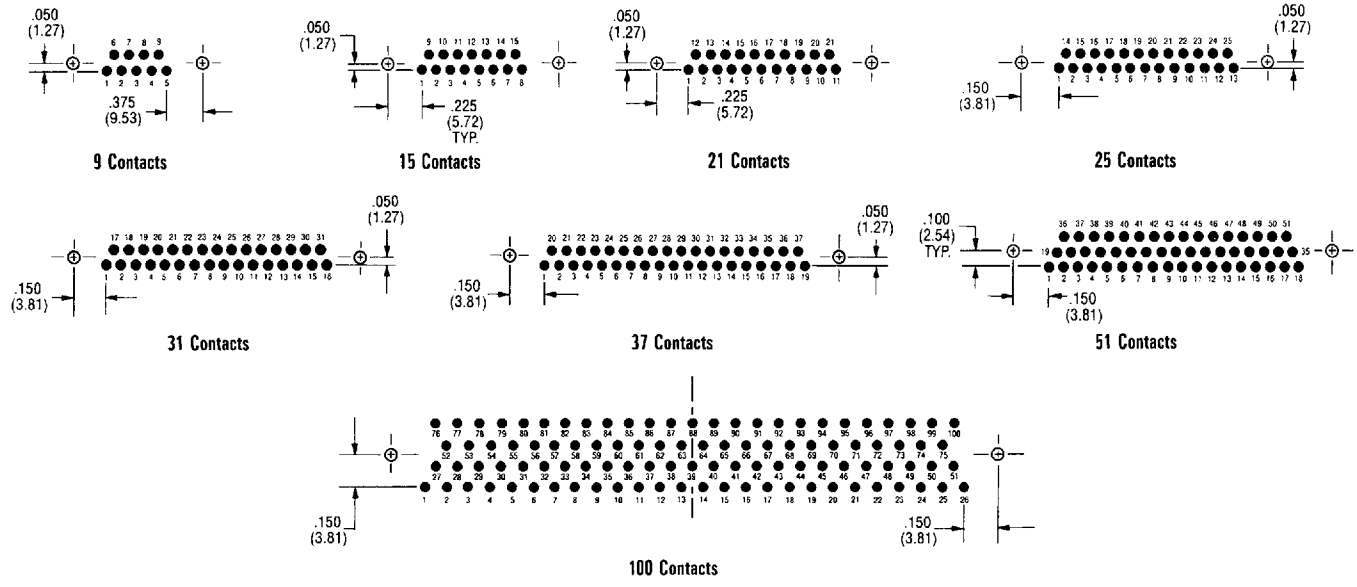
.186 (4.72) MAX. PLUG  
 .198 (5.03) MAX. RECEPTACLE



PCB Termination Arrangements\* (Viewed from PCB solder side)

Identification number shown for plug connector, use reverse order for socket connector.

NOTE: Dimensions shown are for reference only—consult factory for final design dimensions.



NOTE: Standard lead termination is #24 AWG, solid copper, solder or tin dipped  
 All Termination Configurations .100 (2.54) x .100 (2.54) Grid Pattern, Offset .050 (1.27).

| Part Number<br>By Shell Size | A<br>Max.     | B<br>±.007 (.018) | C<br>±.005 (.013) | D<br>Max.     | E<br>Max.     | F<br>Max.    | G<br>Max.    | H<br>Max.   | J<br>Max.    | K<br>Max.    |
|------------------------------|---------------|-------------------|-------------------|---------------|---------------|--------------|--------------|-------------|--------------|--------------|
| MDM-9PBS*                    | 1.390 (35.31) | 1.150 (29.21)     | .565 (14.35)      | .785 (19.94)  | .334 (8.48)   | .185 (4.70)  | .308 (7.82)  | .165 (4.19) | .355 (9.02)  | .555 (14.10) |
| MDM-9SBS*                    | 1.390 (35.31) | 1.150 (29.21)     | .565 (14.35)      | .785 (19.94)  | .402 (10.21)  | .253 (6.43)  | .308 (7.82)  | .165 (4.19) | .355 (9.02)  | .555 (14.10) |
| MDM-15PBS*                   | 1.390 (35.31) | 1.150 (29.21)     | .715 (18.16)      | .935 (23.75)  | .484 (12.29)  | .185 (4.70)  | .308 (7.82)  | .165 (4.19) | .355 (9.02)  | .555 (14.10) |
| MDM-15SBS*                   | 1.390 (35.31) | 1.150 (29.21)     | .715 (18.16)      | .935 (23.75)  | .552 (13.97)  | .253 (6.43)  | .308 (7.82)  | .165 (4.19) | .355 (9.02)  | .555 (14.10) |
| MDM-21PBS*                   | 1.690 (43.93) | 1.450 (36.83)     | .865 (21.97)      | 1.085 (27.56) | .634 (16.10)  | .185 (4.70)  | .308 (7.82)  | .165 (4.19) | .355 (9.02)  | .555 (14.10) |
| MDM-21SBS*                   | 1.690 (43.93) | 1.450 (36.83)     | .865 (21.97)      | 1.085 (27.56) | .702 (17.83)  | .253 (6.43)  | .308 (7.82)  | .165 (4.19) | .355 (9.02)  | .555 (14.10) |
| MDM-25PBS*                   | 1.740 (44.20) | 1.500 (38.10)     | .965 (24.51)      | 1.185 (30.10) | .734 (18.64)  | .185 (4.70)  | .308 (7.82)  | .165 (4.19) | .355 (9.02)  | .555 (14.10) |
| MDM-25SBS*                   | 1.740 (44.20) | 1.500 (38.10)     | .965 (24.51)      | 1.185 (30.10) | .802 (20.37)  | .253 (6.43)  | .308 (7.82)  | .165 (4.19) | .355 (9.02)  | .555 (14.10) |
| MDM-31PBS*                   | 2.040 (51.82) | 1.800 (45.72)     | 1.115 (28.32)     | 1.335 (33.91) | .884 (22.45)  | .185 (4.70)  | .308 (7.82)  | .165 (4.19) | .355 (9.02)  | .555 (14.10) |
| MDM-31SBS*                   | 2.040 (51.82) | 1.800 (45.72)     | 1.115 (28.32)     | 1.335 (33.91) | .952 (24.18)  | .253 (6.43)  | .308 (7.82)  | .165 (4.19) | .355 (9.02)  | .555 (14.10) |
| MDM-37PBS*                   | 2.340 (59.44) | 2.100 (53.34)     | 1.265 (32.13)     | 1.485 (37.72) | 1.034 (26.26) | .185 (4.70)  | .308 (7.82)  | .165 (4.19) | .355 (9.02)  | .555 (14.10) |
| MDM-37SBS*                   | 2.340 (59.44) | 2.100 (53.34)     | 1.265 (32.13)     | 1.485 (37.72) | 1.102 (27.99) | .253 (6.43)  | .308 (7.82)  | .165 (4.19) | .355 (9.02)  | .555 (14.10) |
| MDM-51PBS*                   | 2.270 (67.66) | 2.000 (50.80)     | 1.215 (30.86)     | 1.435 (36.45) | .984 (24.99)  | .228 (5.79)  | .351 (8.92)  | .165 (4.19) | .355 (9.02)  | .555 (14.10) |
| MDM-51SBS*                   | 2.270 (67.66) | 2.000 (50.80)     | 1.215 (30.86)     | 1.435 (36.45) | 1.052 (26.72) | .296 (7.52)  | .351 (8.92)  | .165 (4.19) | .355 (9.02)  | .555 (14.10) |
| MDM-100PBS*                  | 3.070 (77.98) | 2.800 (71.12)     | 1.800 (45.72)     | 2.175 (55.24) | 1.384 (35.15) | .271 (6.88)  | .460 (11.68) | .303 (7.70) | .550 (12.70) | .686 (17.42) |
| MDM-100SBS*                  | 3.070 (77.98) | 2.800 (71.12)     | 1.800 (45.72)     | 2.175 (55.24) | 1.508 (38.30) | .394 (10.01) | .460 (11.68) | .303 (7.70) | .550 (12.70) | .686 (17.75) |

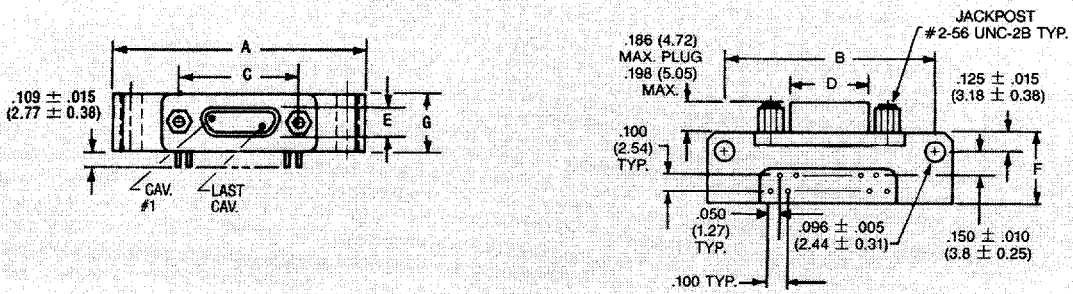
\*For jackpost, add letter "P" or "M7" for sizes 9-51, "M17" for size 100.



Dimensions are shown in inches (millimeters).  
 Dimensions subject to change.

Microminiature  
Connectors

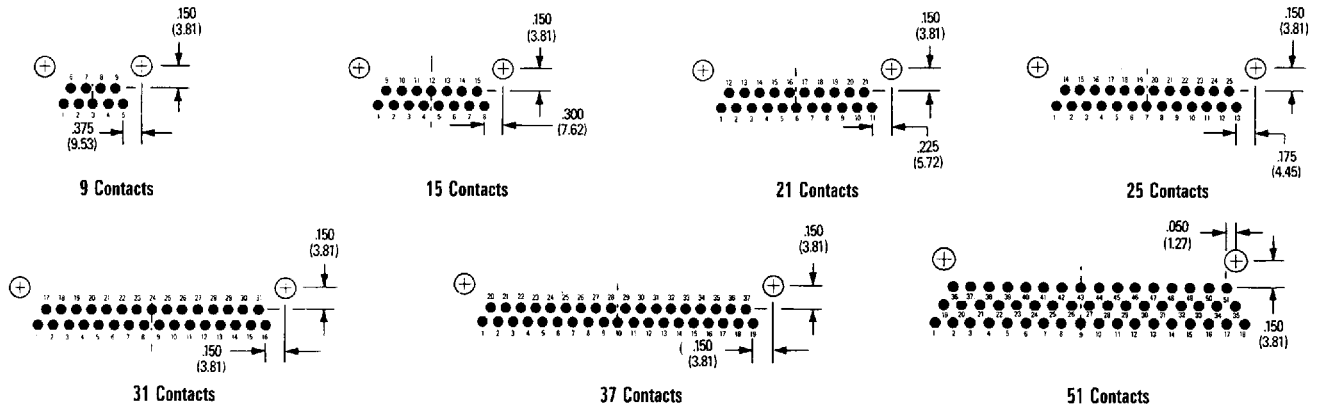
BR (Board Right Angle) Series



PCB Termination Arrangements (Viewed from bottom of connector, PCB solder side.)

Identification number shown for plug connector, use reverse order for socket connector.

Microminiature Connectors



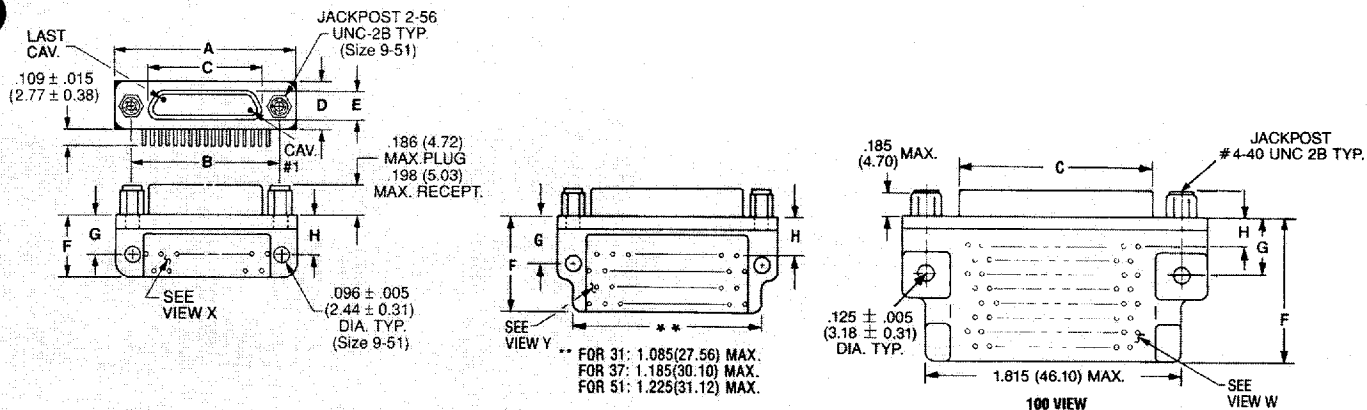
NOTE: Standard lead termination is #24 AWG, gold plated, solid copper, solder or tin dipped.

All Termination Configurations .100 (2.54) x .100 (2.54) Grid Pattern, Offset .050 (1.27).

| Part Number By Shell Size | A Max.        | B ±.007 (.018) | C ±.005 (.013) | D Max.        | E Max.      | F Max.       | G Max.      |
|---------------------------|---------------|----------------|----------------|---------------|-------------|--------------|-------------|
| MDM-9PBR*                 | 1.390 (35.31) | 1.150 (29.21)  | .565 (14.35)   | .334 (8.48)   | .185 (4.70) | .455 (11.56) | .308 (7.82) |
| MDM-9SBR*                 | 1.390 (35.31) | 1.150 (29.21)  | .565 (14.35)   | .402 (10.21)  | .253 (6.43) | .455 (11.56) | .308 (7.82) |
| MDM-15PBR*                | 1.540 (39.12) | 1.300 (33.02)  | .715 (18.16)   | .484 (12.29)  | .185 (4.70) | .455 (11.56) | .308 (7.82) |
| MDM-15SBR*                | 1.540 (39.12) | 1.300 (33.02)  | .715 (18.16)   | .552 (13.97)  | .253 (6.43) | .455 (11.56) | .308 (7.82) |
| MDM-21PBR*                | 1.690 (42.93) | 1.450 (36.83)  | .865 (21.97)   | .634 (16.10)  | .185 (4.70) | .455 (11.56) | .308 (7.82) |
| MDM-21SBR*                | 1.690 (42.93) | 1.450 (36.83)  | .865 (21.97)   | .702 (17.83)  | .253 (6.43) | .455 (11.56) | .308 (7.82) |
| MDM-25PBR*                | 1.790 (45.47) | 1.550 (39.37)  | .965 (24.51)   | .734 (18.64)  | .185 (4.70) | .455 (11.56) | .308 (7.82) |
| MDM-25SBR*                | 1.790 (45.47) | 1.550 (39.37)  | .965 (24.51)   | .802 (20.37)  | .253 (6.43) | .455 (11.56) | .308 (7.82) |
| MDM-31PBR*                | 2.040 (51.82) | 1.800 (45.72)  | 1.115 (28.32)  | .884 (22.45)  | .185 (4.70) | .455 (11.56) | .308 (7.82) |
| MDM-31SBR*                | 2.040 (51.82) | 1.800 (45.72)  | 1.115 (28.32)  | .952 (24.18)  | .253 (6.43) | .455 (11.56) | .308 (7.82) |
| MDM-37PBR*                | 2.340 (59.44) | 2.100 (53.34)  | 1.265 (32.13)  | 1.034 (26.26) | .185 (4.70) | .455 (11.56) | .308 (7.82) |
| MDM-37SBR*                | 2.340 (59.44) | 2.100 (53.34)  | 1.265 (32.13)  | 1.102 (27.99) | .253 (6.43) | .455 (11.56) | .308 (7.82) |
| MDM-51PBR*                | 1.875 (47.63) | 1.600 (40.64)  | 1.215 (30.86)  | .984 (24.99)  | .228 (5.79) | .565 (14.35) | .351 (8.92) |
| MDM-51SBR*                | 1.875 (47.63) | 1.600 (40.64)  | 1.215 (30.86)  | 1.052 (26.72) | .296 (7.52) | .565 (14.35) | .351 (8.92) |

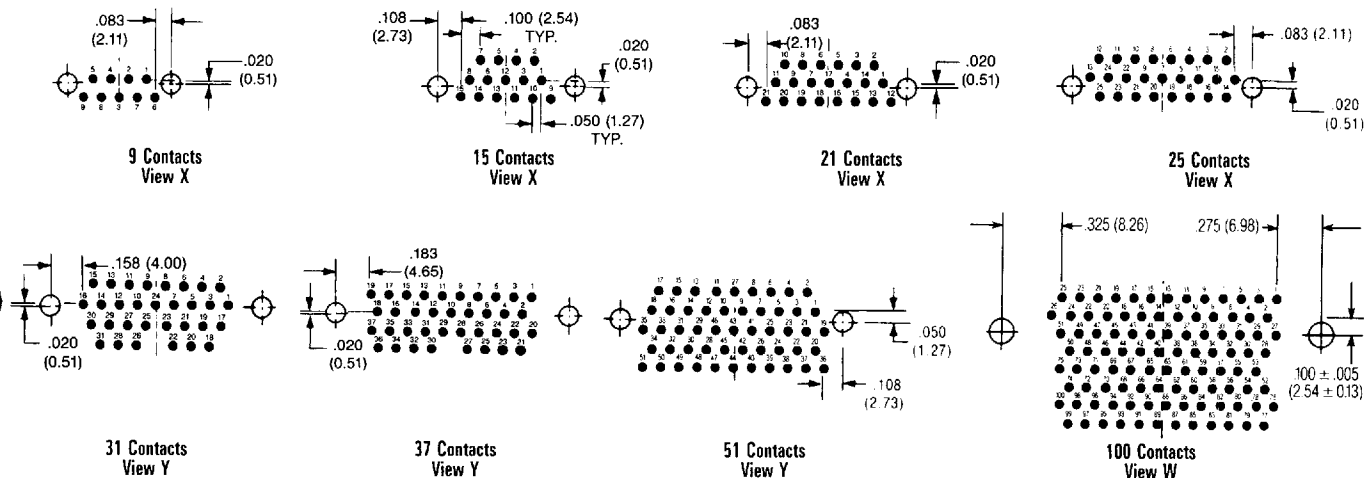
\*For jackpost, add letter "P" or "M7" for sizes 9-51, "M17" for size 100.

CBR (Condensed Board Right Angle) Series



PCB Termination Arrangements (Viewed from bottom of connector, PCB solder side.)

Identification number shown for plug connector, use reverse order for socket connector.



Microminiature Connectors

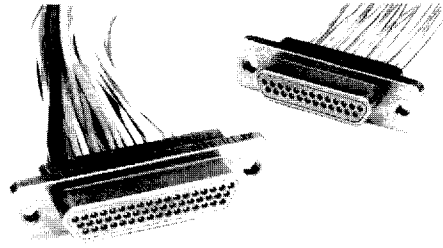
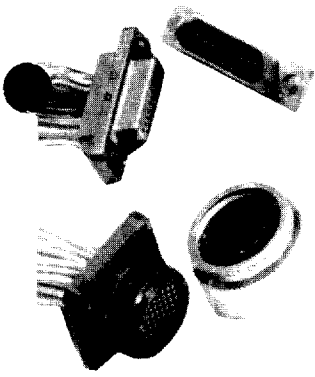
All Termination Configurations .100 (2.54) x .100 (2.54) Grid Pattern, Offset .050 (1.27).

NOTE: Standard lead termination is #24 AWG, solid copper, solder or tin dipped.

| Part Number By Shell Size | A Max.        | B ±.005 (.013) | C Max.        | D Max.       | E Max.       | F Max.        | G ±.010 (.025) | H ±.010 (.025) |
|---------------------------|---------------|----------------|---------------|--------------|--------------|---------------|----------------|----------------|
| MDM-9PCBR*                | .785 (19.94)  | .565 (14.35)   | .334 (8.48)   | .308 (7.82)  | .185 (4.70)  | .420 (10.67)  | .250 (6.35)    | .230 (5.81)    |
| MDM-9SCBR*                | .785 (19.94)  | .565 (14.35)   | .402 (10.21)  | .308 (7.82)  | .253 (6.43)  | .420 (10.67)  | .250 (6.35)    | .230 (5.81)    |
| MDM-15PCBR*               | .935 (23.75)  | .715 (18.16)   | .484 (12.29)  | .308 (7.82)  | .185 (4.70)  | .420 (10.67)  | .250 (6.35)    | .130 (3.30)    |
| MDM-15SCBR*               | .935 (23.75)  | .715 (18.16)   | .552 (13.97)  | .308 (7.82)  | .253 (6.43)  | .420 (10.67)  | .250 (6.35)    | .130 (3.30)    |
| MDM-21PCBR*               | 1.085 (27.56) | .865 (21.97)   | .634 (16.10)  | .308 (7.82)  | .185 (4.70)  | .420 (10.67)  | .250 (6.35)    | .130 (3.30)    |
| MDM-21SCBR*               | 1.085 (27.56) | .865 (21.97)   | .702 (17.83)  | .308 (7.82)  | .253 (6.43)  | .420 (10.67)  | .250 (6.35)    | .130 (3.30)    |
| MDM-25PCBR*               | 1.185 (30.10) | .965 (24.51)   | .734 (18.64)  | .308 (7.82)  | .185 (4.70)  | .420 (10.67)  | .250 (6.35)    | .130 (3.30)    |
| MDM-25SCBR*               | 1.185 (30.10) | .965 (24.51)   | .802 (20.37)  | .308 (7.82)  | .253 (6.43)  | .420 (10.67)  | .250 (6.35)    | .130 (3.30)    |
| MDM-31PCBR*               | 1.335 (33.91) | 1.115 (28.32)  | .884 (22.45)  | .308 (7.82)  | .185 (4.70)  | .520 (13.21)  | .250 (6.35)    | .130 (3.30)    |
| MDM-31SCBR*               | 1.335 (33.91) | 1.115 (28.32)  | .952 (24.18)  | .308 (7.82)  | .253 (6.43)  | .520 (13.21)  | .250 (6.35)    | .130 (3.30)    |
| MDM-37PCBR*               | 1.485 (37.72) | 1.265 (32.13)  | 1.034 (26.26) | .308 (7.82)  | .185 (4.70)  | .520 (13.21)  | .250 (6.35)    | .130 (3.30)    |
| MDM-37SCBR*               | 1.485 (37.72) | 1.265 (32.13)  | 1.102 (27.99) | .308 (7.82)  | .253 (6.43)  | .520 (13.21)  | .250 (6.35)    | .130 (3.30)    |
| MDM-51PCBR*               | 1.435 (36.45) | 1.215 (30.86)  | .984 (24.99)  | .351 (8.92)  | .228 (5.79)  | .650 (16.15)  | .300 (7.62)    | .150 (3.81)    |
| MDM-51SCBR*               | 1.435 (36.45) | 1.215 (30.86)  | 1.052 (26.72) | .351 (8.92)  | .296 (7.52)  | .650 (16.15)  | .300 (7.62)    | .150 (3.81)    |
| MDM-100PCBR*              | 2.170 (55.12) | 1.800 (45.72)  | 1.384 (35.15) | .394 (10.01) | .271 (6.88)  | 1.000 (25.40) | .400 (10.16)   | .200 (5.08)    |
| MDM-100SCBR*              | 2.170 (55.12) | 1.800 (45.72)  | 1.508 (38.10) | .394 (10.01) | .394 (10.01) | 1.000 (25.40) | .400 (10.16)   | .200 (5.08)    |

\*For jackpost, add letter "P" or "M7" for sizes 9-51, "M17" for size 100.

# The Micro Line – .050" Contact Spacing



The Cannon MICRO Series established the standards for performance and reliability in microminiature interconnects. Exceptionally versatile, MICRO connectors are available in rectangular, circular, and strip configurations, with 3 amp MICROPIN™/MICROSOCKET™ contacts on .050(1.27) centers, or with special arrangements of power and coaxial contacts.

The heart of the Cannon MICROPIN/MICROSOCKET contact system is a multi-element Twist Pin Contact recessed within an insulating housing. The rugged, cylindrical sockets are mounted in the exposed half of the connector. When connector

halves are mated, the chamfered sockets are first aligned by the connector body, then guide the spiral MICROPIN contacts into proper and positive alignment, even under worst-case tolerance conditions. This is Cannon's POS-A-LINE connector design.

The multiple spring elements of the MICROPIN, then under compression, form a multi-point contact system of high mechanical and electrical integrity. Contacts will provide a high degree of reliability over hundreds of mating and unmating cycles, and have proven themselves in applications that range from commercial products to equipment that has been landed on the moon.

- Contact rating – 3 amps max.
- Contact centers – .050(1.27).
- Wire sizes – #24 thru #32 AWG, stranded or solid.
- Contact termination—multiple indent crimp.
- Contact retention – fixed via epoxy.
- Contact materials and finish – Copper alloy, gold-plated per MIL-G-45204, Type II, Grade C, Class 1 over copper flash.
- Mating/unmating force – 8 oz. per contact, max./0.5 oz. per contact min.

Microminiature Connectors

## Test Data

The table below summarizes the results of key tests performed in accordance with MIL-STD-1344, where applicable. Data is applicable to standard

connectors with standard terminations. Variations may affect this data, so please consult the factory for further information on your requirements.

| Test                             | Method   | Criteria of Acceptance  |
|----------------------------------|--|---|
| Dielectric Withstanding Voltage  | Method 3001:   |   |
|                                  | 900 VAC at sea level   | No breakdown  |
|                                  | 300 VAC at 70,000' altitude  | No breakdown  |
|                                  | Solder Pots and Shielded Cable 600 VAC at sea level                                | No breakdown  |
|                                  | 150 VAC at 70,000' altitude  | No breakdown  |
| Insulation Resistance            | Method 3003  | 5,000 megohms minimum   |
| Thermal Shock                    | Method 1003, Condition A:<br>–55°C to +125°C                                       | No physical damage  |
| Physical Shock                   | Method 2004, Condition E:<br>50 G's, 3-axes, 6 millisecond duration sawtooth pulse | No physical damage<br>No loss of continuity > 1 μsec                              |
| Vibration                        | Method 2005, Condition IV:<br>20 G's, 10-2,000 Hz, 12 hrs.                         | No physical damage<br>No loss of continuity > 1 μsec                              |
| Durability                       | 500 cycles of mating and unmating, 500 CPH max.                                    | No mechanical or electrical defects   |
| Moisture Resistance              | Method 1002, Type II omit steps 7a & 7b  | Insulation resistance > 100 megohms   |
| Salt Spray                       | Method 1001, Condition B:<br>48 hours  | Shall be capable of mating and unmating, and meet contact resistance requirements |
| Contact Resistance (MIL-STD-202) | Method 307:<br>At 3 amps<br>At 1 milliamp  | 8 milliohms maximum<br>10 milliohms maximum                                       |
| Contact Retention                | Per MIL-C-83513  | 5 lb. minimum axial load  |

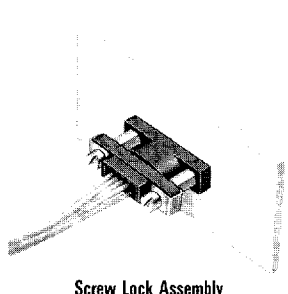
**ITT Cannon**

Dimensions are shown in inches (millimeters).  
Dimensions subject to change.

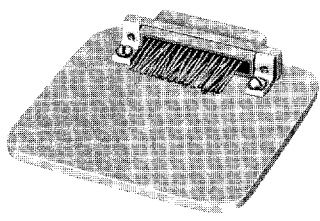
231

Mounting Hardware Views (for sizes 9 – 51)

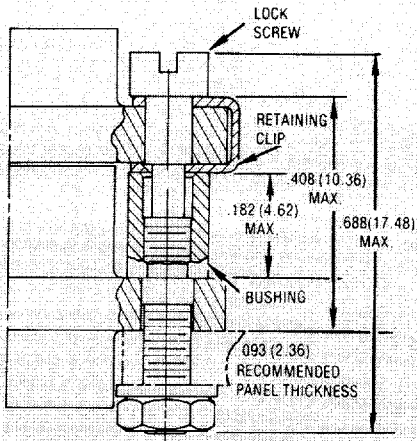
This hardware supplied unassembled.



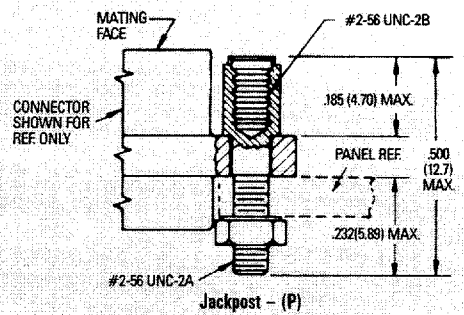
Screw Lock Assembly



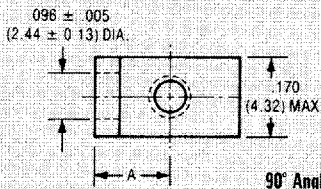
90° Angle Mounting Bracket



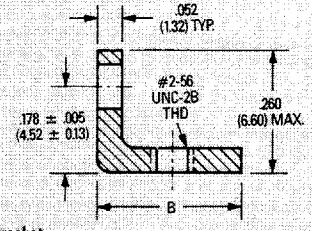
Screw Lock Assembly\*  
\*NOTE: Torque value is 2.5 in/lbs max.



Jackpost - (P)



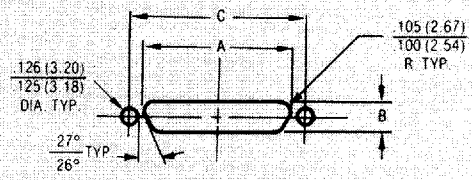
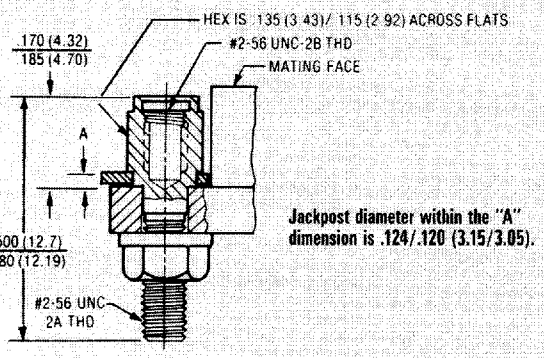
90° Angle Mounting Bracket



| Description   | Part Number  | A<br>±.005 (±0.13) | B<br>Max.   |
|---|--------------|--------------------|-------------|
| Screw Lock Assembly                                   | 322-9500-000 |                    | N/A         |
| Jackpost Kit  | 320-9505-000 |                    | N/A         |
| Mounting Bracket 90° MDM<br>for 9 thru 37 Shell Sizes | 015-9516-002 | .147 (3.73)        | .308 (7.82) |
| Mounting Bracket 90° MDM<br>for 51 Shell Size         | 015-9516-003 | .169 (4.29)        | .350 (8.89) |

NOTES: Screw lock assembly (322-9500-000) can be used for front mounting only. Jackpost kit (320-9505-000) consists of two assemblies, shipped unassembled.

Jackpost Bushing (for rear panel mounting-for sizes 9 – 51)



Plug and Receptacle Dimensions

| Shell Size | A<br>+.004 (0.10)<br>-.000 (0.00) | B<br>+.004 (0.10)<br>-.000 (0.00) | C<br>±.005 (0.13) |
|------------|-----------------------------------|-----------------------------------|-------------------|
| 9          | .401 (10.19)                      | .252 (6.40)                       | .565 (14.35)      |
| 15         | .551 (14.00)                      | .252 (6.40)                       | .715 (18.16)      |
| 21         | .701 (17.81)                      | .252 (6.40)                       | .865 (21.97)      |
| 25         | .801 (20.34)                      | .252 (6.40)                       | .965 (24.51)      |
| 31         | .951 (24.16)                      | .252 (6.40)                       | 1.115 (28.34)     |
| 37         | 1.101 (27.97)                     | .252 (6.40)                       | 1.265 (32.13)     |
| 51         | 1.051 (26.70)                     | .295 (7.49)                       | 1.215 (30.86)     |

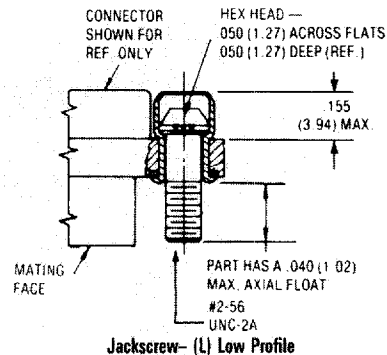
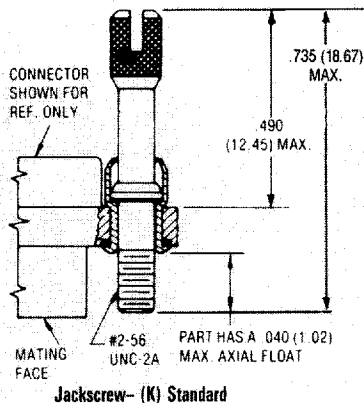
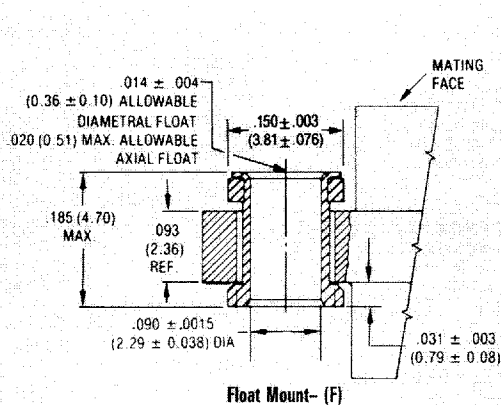
| Panel A Thickness | A<br>+.005 (0.13)<br>-.000 (0.00) | Jackpost Kit Number* |
|-------------------|-----------------------------------|----------------------|
| 3/32 (2.4)        | .087 (2.21)                       | 320-9505-007         |
| 1/16 (1.6)        | .056 (1.42)                       | 320-9505-006         |
| 3/64 (1.2)        | .042 (1.07)                       | 320-9505-005         |
| 1/32 (0.8)        | .025 (0.64)                       | 320-9505-004         |

\*A kit consists of 2 jackposts, 2 nuts, 2 washers.

Microminiature Connectors

## Mounting Hardware Views (sizes 9 – 51)

This hardware is factory installed.



Shown here is a cutaway view of the float mount for the MD connector. The basic shell dimensions are the same for the float mount and the screw mounting hole configurations. View shown is for standard float mount front panel mounting. Reverse mounting is available on request.

\*NOTE: Torque values are as follows:  
Low Profile Jackscrew (L)—2.5 in/lbs  
Standard Jackscrew (K)—2.5 in/lbs

Repair kit available—consult factory.

## Mounting Hardware to Military Specification (for sizes 9 – 100) per MIL-C-83513/5

This hardware supplied in kits unassembled (2 pieces of each item).

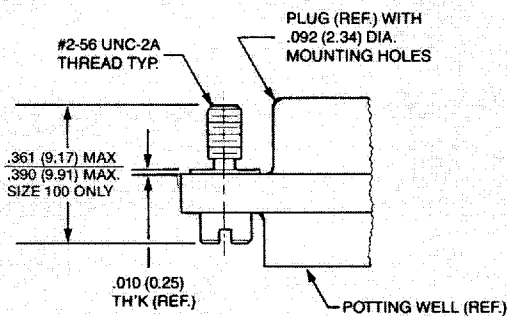
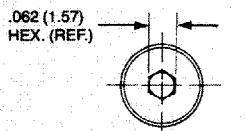


Figure 1. Jackscrew - Low profile Slotted Head  
Size 9-51  
Size 100\*



Allen Head  
Optional Head Configuration  
Plug and Receptacle  
Low and High Profile  
Size 9-51  
Size 100\* (same dimensions)

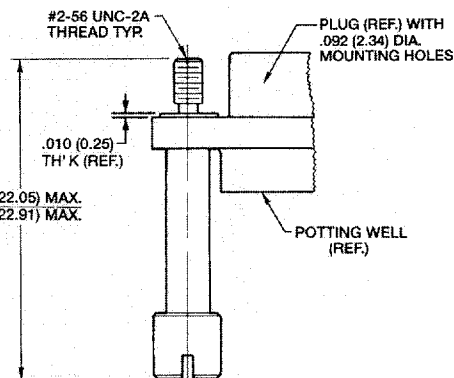


Figure 2. Jackscrew - High Profile Slotted Head  
Size 9-51  
Size 100\*

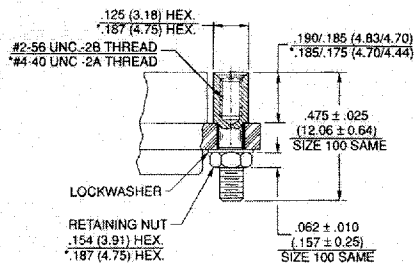


Figure 3. Jackpost Assembly  
Size 9-51  
Size 100\*

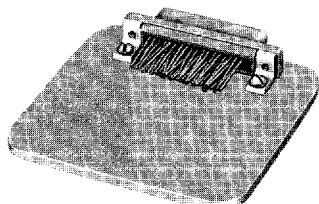
To order hardware kits separately, order either by M83513/5-\*\* or by 320-950X-XXX.

| Description   | Size 9-51 |              | Size 100* |                      |    |
|---|-----------|--------------|-----------|----------------------|----|
|   | Mod Code  | Part Number  | **        | Mod Code Part Number |    |
| Slotted Head Jackscrew Assy Low Profile (Figure 1)  | M5        | 320-9508-025 | 05        | M15 320-9508-021     | 15 |
| Slotted Head Jackscrew Assy High Profile (Figure 2) | M6        | 320-9508-027 | 06        | M16 320-9508-023     | 16 |
| Allen Head Jackscrew Assy Low Profile (Figure 1)    | M2        | 320-9508-026 | 02        | M12 320-9508-022     | 12 |
| Allen Head Jackscrew Assy High Profile (Figure 2)   | M3        | 320-9508-028 | 03        | M13 320-9508-024     | 13 |
| Jackpost Assy (Figure 3)                            | M7        | 320-9505-033 | 07        | M17 320-9505-030     | 17 |

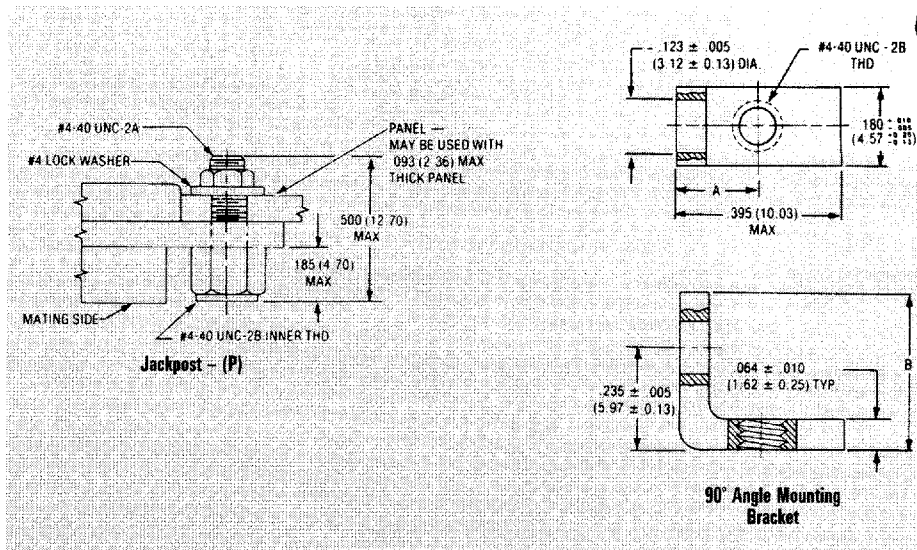
\*Size 100 requires B1 size mounting holes.

## Mounting Hardware Views (for size 100)

This hardware supplied unassembled.

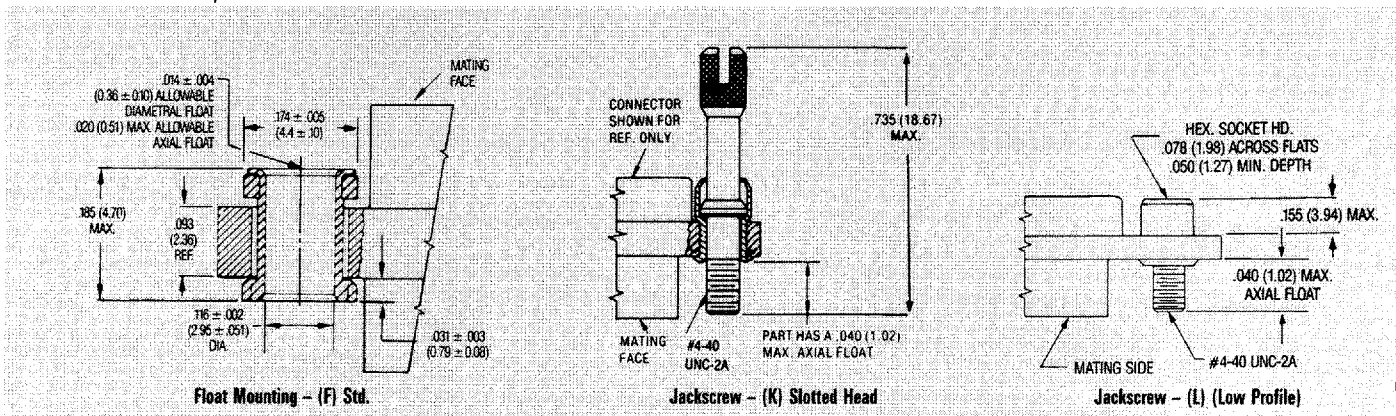


90° Angle Mounting Bracket



| Description              | Part Number  | A<br>±.005 (0.13) | B<br>Max.   |
|--------------------------|--------------|-------------------|-------------|
| Jackpost Kit             | 320-9505-015 |                   | N/A         |
| Mounting Bracket 90° MDM | 015-9528-000 | .191 (4.85)       | .370 (9.40) |

This hardware is factory installed.

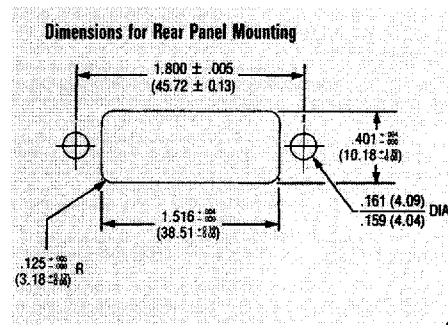
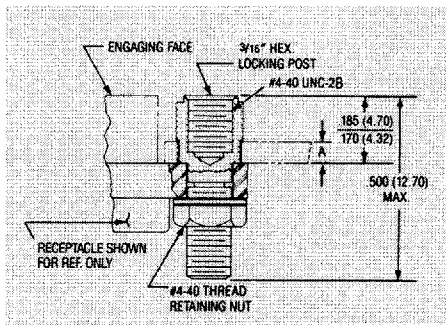


\*NOTE: Torque values are as follows:  
 Low Profile Jackscrew (L) – 4.0 in/lbs  
 Standard Jackscrew (K) – 4.0 in/lbs

## Jackpost Bushing (for Rear Panel Mounting)

| Panel Thickness | A<br>+ .005 (0.13)<br>- .000 (0.00) | Jackpost Kit Number* |
|-----------------|-------------------------------------|----------------------|
| 3/32 (2.4)      | .087 (2.21)                         | 320-9505-013         |
| 1/16 (1.6)      | .058 (1.42)                         | 320-9505-012         |
| 1/32 (0.8)      | .025 (0.64)                         | 320-9505-010         |
| 3/64 (1.2)      | .042 (1.07)                         | 320-9505-011         |

\*2 jackposts, 2 nuts, 2 washers



Micro-miniature Connectors