

T-1³/₄ (5 mm) Right Angle Mount Housing

Technical Data

HLMP-5029
Option 010
Option 100

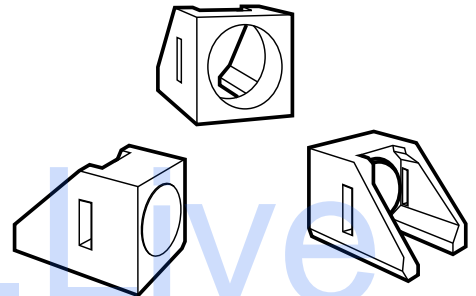
Features

- Fits Any HP High Dome T-1³/₄ LED Lamp
- Snap-In Fit Makes Mounting Simple
- High Contrast Black Plastic
- May be Ordered with Mounted T-1³/₄ Lamp as an Option

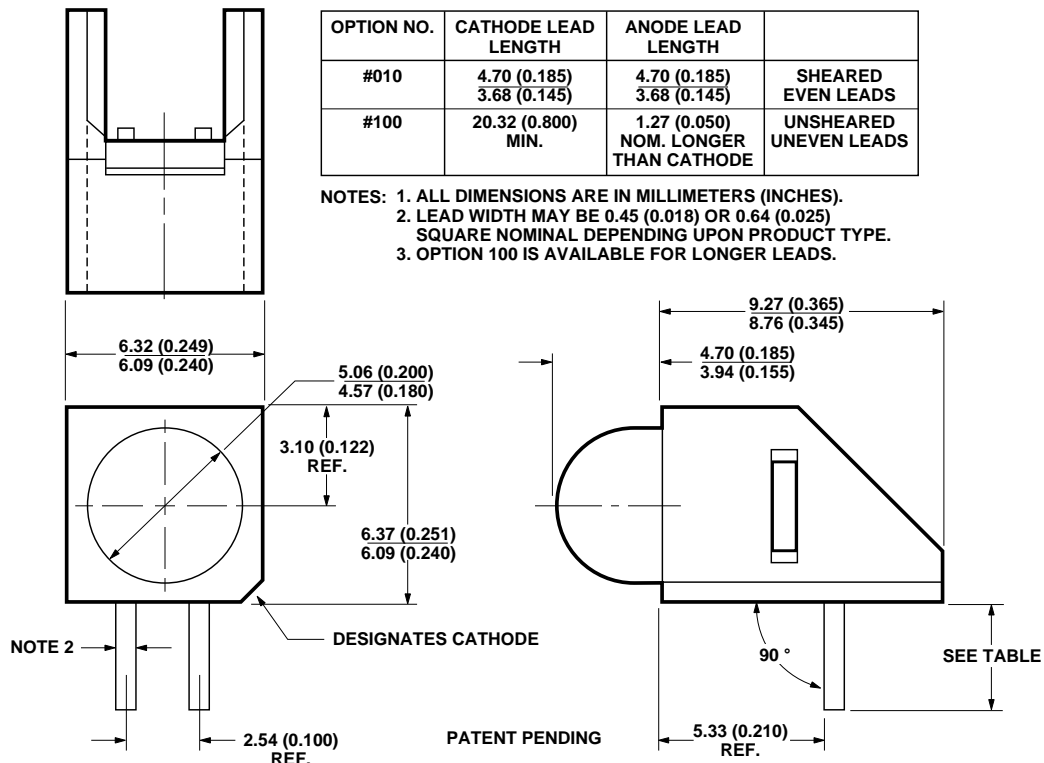
Description

The HLMP-5029 is a black plastic right angle housing which mates with Hewlett-Packard high dome T-1³/₄ lamps. The leads should be prebent 90° as shown prior to snapping into the right angle housing.

The housing material is high temperature nylon capable of withstanding temperatures up to +150°C.



Physical Dimensions



As an option, T-1³/₄ lamps may be ordered pre-mounted into the HLMP-5029 housing with leads bent down 90° and sheared to length, see table. To order, select the lamp base, part number and affix the desired option code. For example, the HLMP-3300 HER lamp may be ordered pre-mounted into the HLMP-5029 housing with leads sheared to an even length. The part number for this option is: **HLMP-3300 Option 010.**