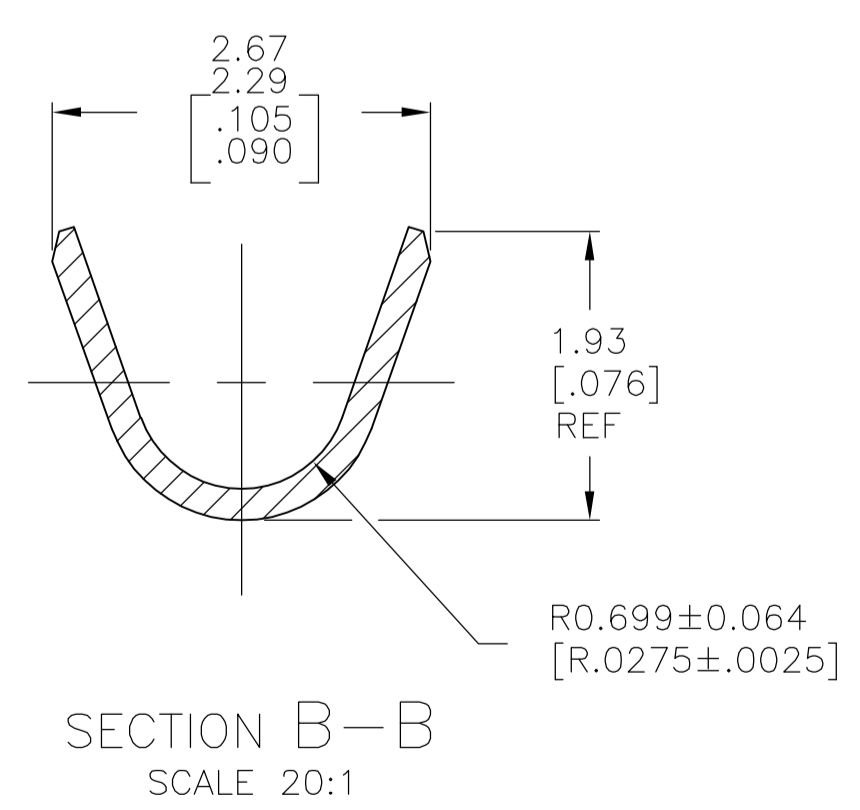
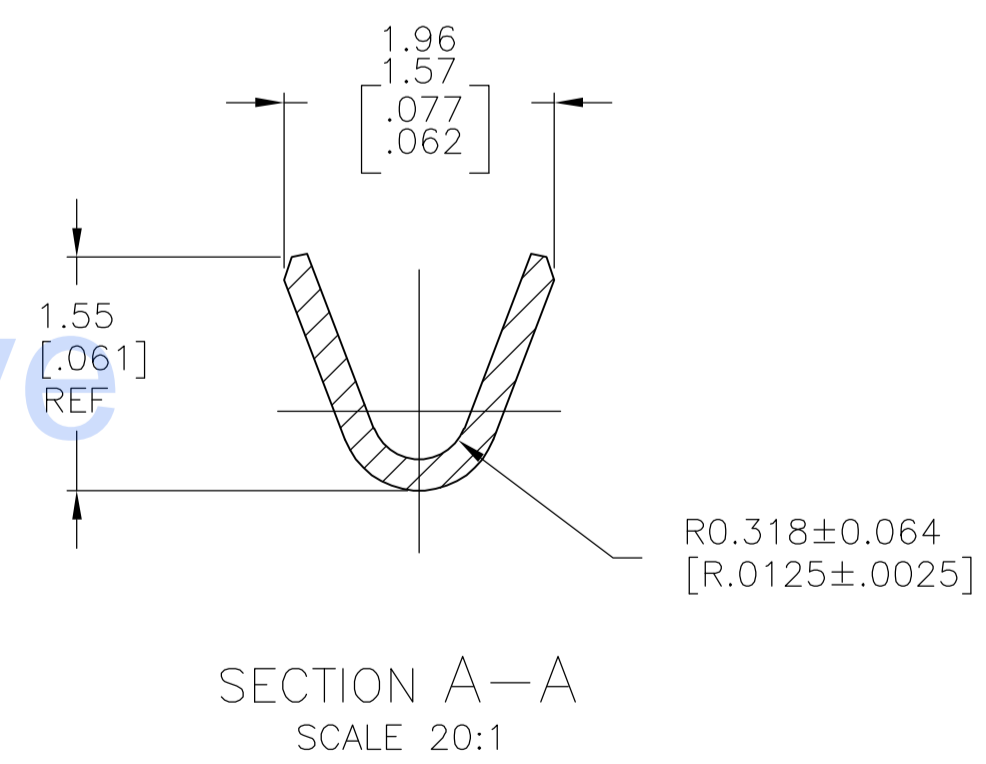
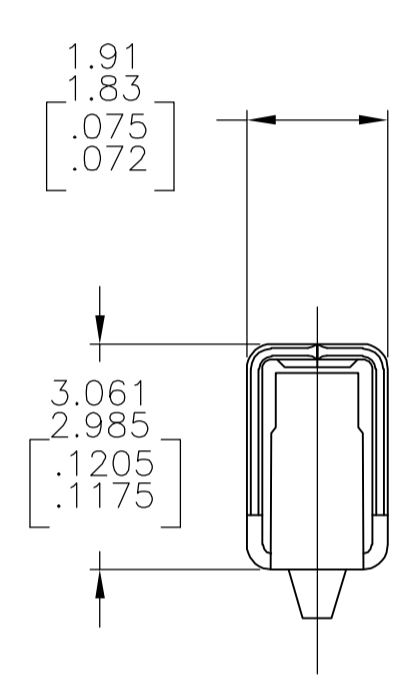
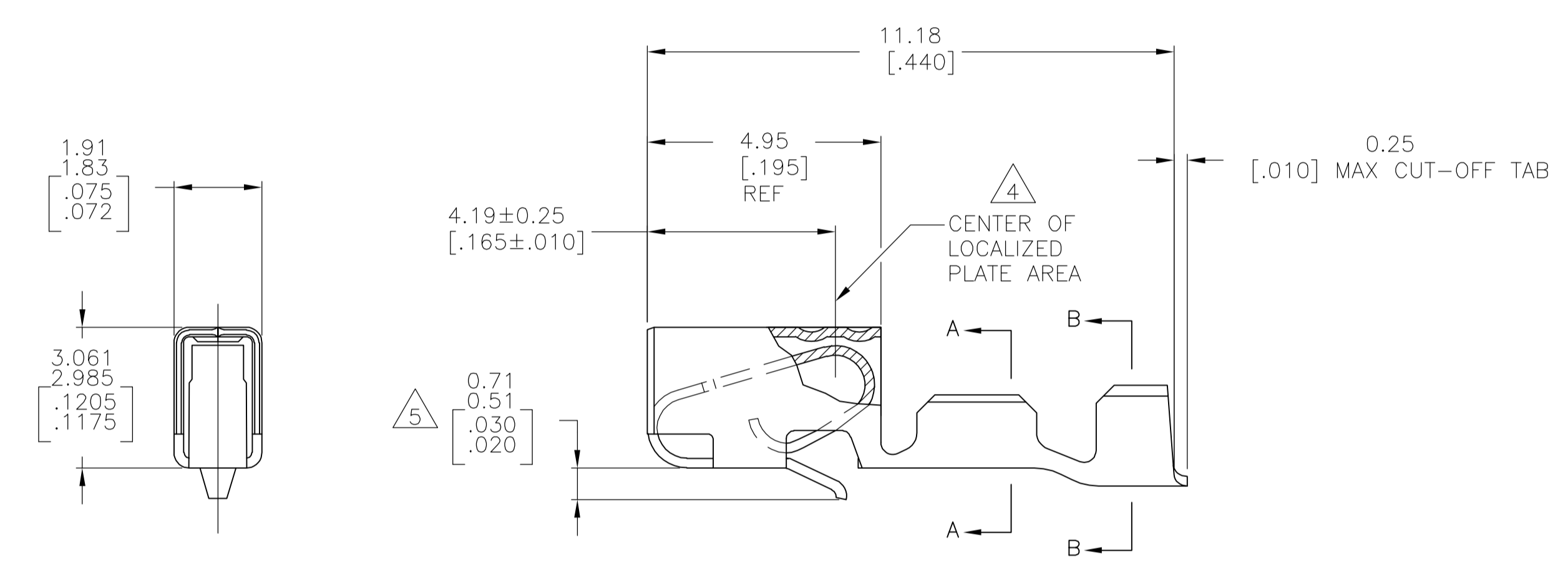
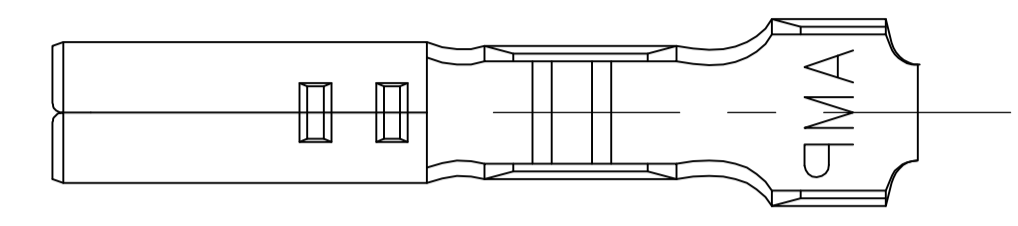
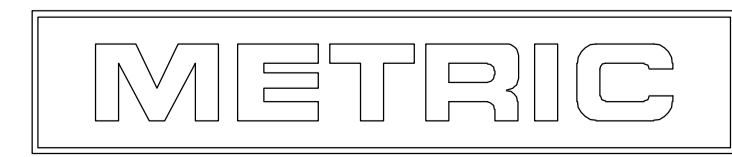


1. WIRE RANGE 0.13 - 0.35 MM<sup>2</sup> (26 - 22 AWG).
  2. INSULATION RANGE: 0.89 - 1.65 [.035 - .065] DIA  
 LARGER SIZES OF 1.68 - 1.91 [.066 - .075] DIA  
 INSULATION REQUIRE WIRE AND CRIMP EVALUATION  
 FROM AMP INCORPATED.
  3. DIMENSIONS IN BRACKETS ARE IN INCHES.
- △4 0.00076 [.000030] MIN THK GOLD STRIPES IN LOCALIZED  
 PLATE AREA ON BEAM AND DIMPLE OVER 0.00127 [.000050]  
 MIN THK NICKEL OVER ENTIRE CONTACT.
- △5 AFTER PACKAGING AND SHIPMENT, A LANCE HEIGHT  
 0.46 - 0.71 [.018 - .030] IS PERMISSABLE.



Datasheet.Live



△	770666-2
PRE-TIN	770666-1
FINISH	PART NO.

THIS DRAWING IS A CONTROLLED DOCUMENT.		DWG T. BECK	01MAR91	Tyco Electronics Corporation Harrisburg, PA 17105-3608
DIMENSIONS: mm [INCHES]		CHK R. SWING	01MAR91	
TOLERANCES UNLESS OTHERWISE SPECIFIED:		APP'D D. CLARK	05MAR91	NAME RECEPTACLE, CST-100, LOOSE PIECE
0 PLC ± -	1 PLC ± -	PRODUCT SPEC		
2 PLC ± -	3 PLC ± 0.13 [.005]	APPLICATION SPEC		
4 PLC ± -	ANGLES ± ± -	FINISH	SEE TABLE	
MATERIAL 0.19B [.0078] PH BRZ	WEIGHT	SIZE A1	CAGE CODE 00779	DRAWING NO. 770666
CUSTOMER DRAWING		SCALE 10:1	SHEET 1 OF 1	REV H