

## Dual-Output or Two-Phase Synchronous Buck Controller with PMBus

Check for Samples: [TPS40422](#)

### FEATURES

- **Single Supply Operation: 4.5 V to 20 V**
- **Output Voltage from 0.6 V to 5.6 V**
- **Dual or Two-Phase Synchronous Buck Controller**
- **PMBus Capability**
  - **Margining Up/Down with 2-mV Step**
  - **Programmable Fault Limit and Response**
  - **Output Voltage, Output Current Monitoring**
  - **External Temperature Monitoring with 2N3904**
  - **Programmable UVLO on/off Thresholds**
  - **Programmable Soft Start Time and Turn On/Off Delay**
- **On-Chip Non-volatile Memory (NVM) to Store Custom Configurations**
- **180° Out-of-Phase to Reduce Input Ripple**
- **600-mV Reference Voltage with ±0.5% Accuracy from 0°C to 85°C**
- **Inductor DCR Current Sensing**
- **Programmable Switching Frequency from 200 kHz to 1 MHz**
- **Voltage Mode Control with Input Feed Forward**
- **Current Sharing for Multiphase Operation**
- **Supports Pre-biased Output**
- **Differential Remote Sensing**
- **External SYNC**
- **BPEXT Pin Boosts Efficiency by Supporting External Bias Power**
- **OC/OV/UV/OT Fault Protection**
- **40-Pin, 6 mm × 6 mm, QFN Package**

### APPLICATIONS

- **Multiple Rail Systems**
- **Telecom Base Station**
- **Switcher/Router Networking**
- **Server and Storage System**

### DESCRIPTION

The TPS40422 is a dual-output PMBus synchronous buck controller. It can be configured also for a single, two-phase output.

Its wide input range can support 5-V and 12-V intermediate buses. The accurate reference voltage satisfies the need of precision voltage to the modern ASICs and potentially reduces the output capacitance. Voltage mode control is implemented to reduce noise sensitivity and also ensures low duty ratio conversion.

Using the PMBus protocol, the TPS40422 margining function, reference voltage, fault limit, UVLO threshold, soft start time and turn on/off delay can be programmed.

In addition, an accurate measurement system is implemented to monitor the output voltages, currents and temperatures for each channel.



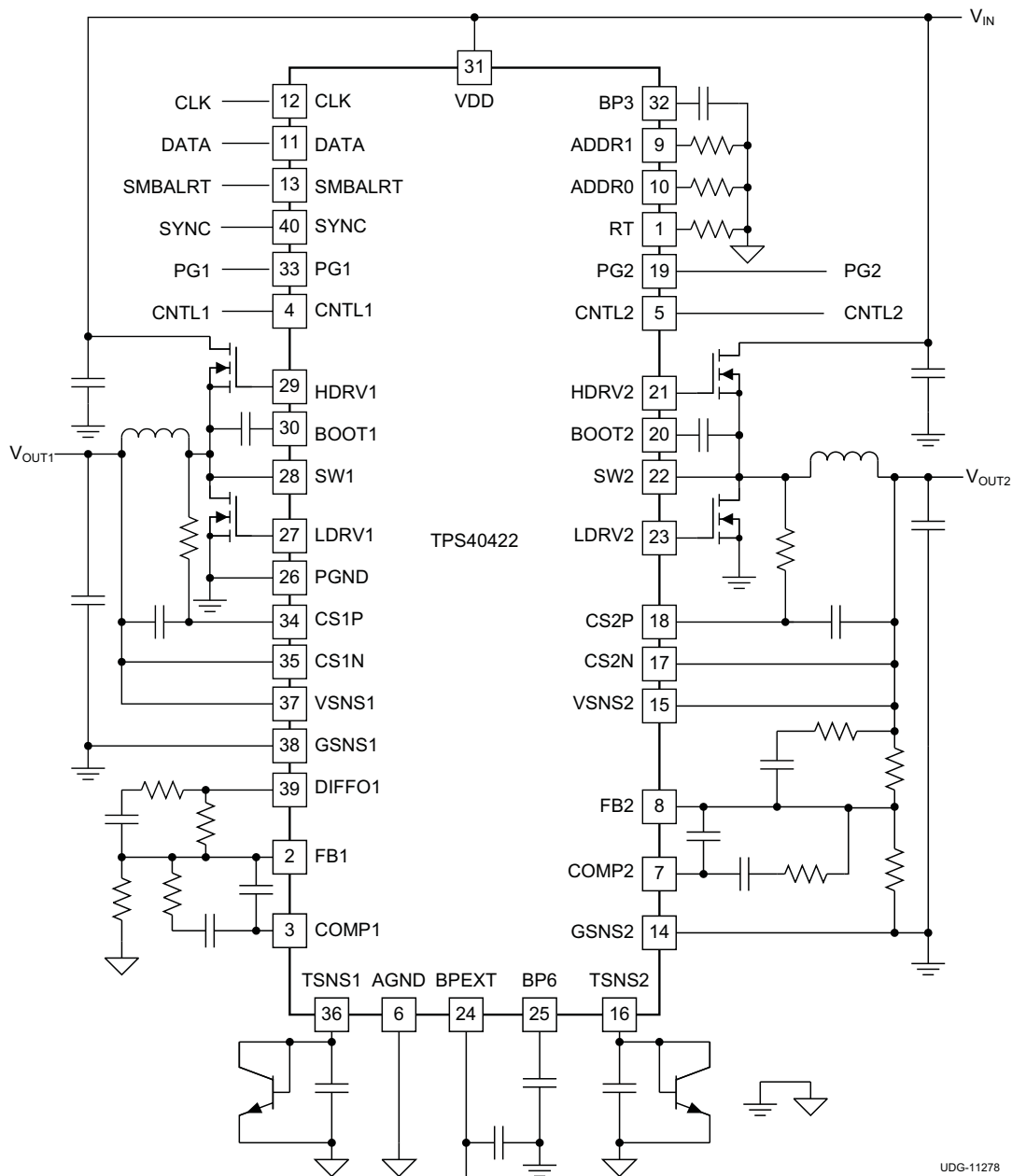
Please be aware that an important notice concerning availability, standard warranty, and use in critical applications of Texas Instruments semiconductor products and disclaimers thereto appears at the end of this data sheet.

# TPS40422

SLUSAQ4A – OCTOBER 2011 – REVISED DECEMBER 2011

[www.ti.com](http://www.ti.com)

## SIMPLIFIED APPLICATION



UDG-11278



These devices have limited built-in ESD protection. The leads should be shorted together or the device placed in conductive foam during storage or handling to prevent electrostatic damage to the MOS gates.

### ORDERING INFORMATION<sup>(1)(2)</sup>

| TEMPERATURE RANGE | PACKAGE | PINS | OUTPUT SUPPLY | MINIMUM QUANTITY | ORDERABLE DEVICE NUMBER |
|-------------------|---------|------|---------------|------------------|-------------------------|
| -40°C to 125°C    | QFN     | 40   | Tape and Reel | 3000             | TPS40422RHAR            |
|                   |         |      | Tube          | 250              | TPS40422RHAT            |

(1) For the most current package and ordering information see the Package Option Addendum at the end of this document, or see the TI web site at [www.ti.com](http://www.ti.com).

(2) Package drawings, thermal data, and symbolization are available at [www.ti.com/packaging](http://www.ti.com/packaging).

**ABSOLUTE MAXIMUM RATINGS<sup>(1)(2)(3)</sup>**

over operating free-air temperature range (unless otherwise noted)

|  |  | MIN  | MAX | UNITS |
|--|--|------|-----|-------|
| Input voltage range <sup>(2)</sup>               | VDD  | -0.3 | 20  | V     |
|  | BOOT1 , BOOT2, HDRV1, HDRV2  | -0.3 | 30  |       |
|  | BOOT1 - SW1, BOOT2 - SW2   | -0.3 | 7   |       |
|  | CLK, DATA, CNTL1, CNTL2, SYNC  | -0.3 | 3.6 |       |
|  | FB1, FB2, VSNS1, VSNS2, BPEXT  | -0.3 | 7   |       |
| Output voltage range <sup>(3)</sup>              | LDRV1, LDRV2, BP6  | -0.3 | 7   | V     |
|  | SW1, SW2   | -1   | 30  |       |
|  | COMP1, COMP2, DIFFO1, $\overline{\text{SMBALRT}}$ , PG1, PG2, TSNS1, TSNS2 | -0.3 | 7   |       |
|  | ADDR0, ADDR1, BP3, RT  | -0.3 | 3.6 |       |
| Electrostatic discharge                          | Human body model (HBM)   | 2    |     | kV    |
|  | Charged device model (CDM)   | 1.5  |     |       |
| Storage junction temperature, T <sub>J</sub>     |  | -40  | 150 | °C    |
| Operating junction temperature, T <sub>stg</sub> |  | -55  | 155 | °C    |

- (1) Stresses beyond those listed under absolute maximum ratings may cause permanent damage to the device. These are stress ratings only and functional operation of the device at these or any other conditions beyond those indicated under recommended operating conditions is not implied. Exposure to absolute-maximum-rated conditions for extended periods may affect device reliability.
- (2) All voltage values are with respect to the network ground terminal unless otherwise noted.
- (3) Voltage values are with respect to the SW terminal.

**RECOMMENDED OPERATING CONDITIONS**

|                                       |                                | MIN  | MAX | UNIT |
|---------------------------------------|--------------------------------|------|-----|------|
| VDD                                   | Input operating voltage        | 4.5  | 20  | V    |
| T <sub>J</sub>                        | Operating junction temperature | -40  | 125 | °C   |
| Electrostatic discharge (ESD) ratings | Human Body Model (HBM)         | 2000 |     | V    |
|                                       | Charge Device Model (CDM)      | 1500 |     |      |

**ELECTRICAL CHARACTERISTICS<sup>(1)</sup>**
 $T_J = -40^{\circ}\text{C}$  to  $125^{\circ}\text{C}$ ,  $V_{IN} = V_{DD} = 12\text{ V}$ , RT set for 500 kHz, all parameters at zero power dissipation (unless otherwise noted)

| PARAMETER              |  | TEST CONDITIONS  | MIN  | TYP           | MAX   | UNIT |
|------------------------|--|--|------|---------------|-------|------|
| <b>INPUT SUPPLY</b>    |  |  |      |               |       |      |
| $V_{VDD}$              | Input supply voltage range                           |  | 4.5  |               | 20    | V    |
| $I_{VDD}$              | Input operating current                              | Switching, no driver load  |      | 18            | 25    | mA   |
|                        |  | Not switching  |      | 15            | 20    |      |
| <b>UVLO</b>            |  |  |      |               |       |      |
| $V_{IN(on)}$           | Input turn on voltage <sup>(2)</sup>                 | Default settings   |      | 4.25          |       | V    |
| $V_{IN(off)}$          | Input turn off voltage <sup>(2)</sup>                | Default settings   |      | 4             |       | V    |
| $V_{INON(mg)}$         | Programmable range for turn on voltage               |  | 4.25 |               | 16    | V    |
| $V_{INOFF(mg)}$        | Programmable range for turn off voltage              |  | 4    |               | 15.75 | V    |
| $V_{INONOFF(acc)}$     | Turn on and turn off voltage accuracy <sup>(1)</sup> | $4.5\text{ V} \leq V_{VDD} \leq 20\text{ V}$ , all $V_{IN\_ON}$ and $V_{IN\_OFF}$ settings | -5%  |               | 5%    |      |
| <b>ERROR AMPLIFIER</b> |  |  |      |               |       |      |
| $V_{FB}$               | Feedback pin voltage                                 | $0^{\circ}\text{C} \leq T_J \leq 85^{\circ}\text{C}$                                       | 597  | 600           | 603   | mV   |
|                        |  | $-40^{\circ}\text{C} \leq T_J \leq 125^{\circ}\text{C}$                                    | 594  | 600           | 606   |      |
| $A_{OL}$               | Open-loop gain <sup>(3)</sup>                        |  | 80   |               |       | dB   |
| $G_{BWP}$              | Gain bandwidth product <sup>(3)</sup>                |  |      | 24            |       | MHz  |
| $I_{FB}$               | FB pin bias current (out of pin)                     | $V_{FB} = 0.6\text{ V}$  |      |               | 50    | nA   |
| $I_{COMP}$             | Sourcing   | $V_{FB} = 0\text{ V}$  | 1    | 3             |       | mA   |
|                        | Sinking  | $V_{FB} = 1\text{ V}$  | 3    | 9             |       |      |
| <b>BP6 REGULATOR</b>   |  |  |      |               |       |      |
| $V_{BP6}$              | Output voltage                                       | $I_{BP6} = 10\text{ mA}$   | 6.2  | 6.5           | 6.8   | V    |
|                        | Dropout voltage                                      | $V_{VIN} - V_{BP6}$ , $V_{VDD} = 4.5\text{ V}$ , $I_{BP6} = 25\text{ mA}$                  |      | 70            | 120   | mV   |
| $I_{BP6}$              | Output current                                       | $V_{VDD} = 12\text{ V}$  | 120  |               |       | mA   |
| $V_{BP6UV}$            | Regulator UVLO voltage <sup>(3)</sup>                |  | 3.3  | 3.55          | 3.8   | V    |
| $V_{BP6UV(hyst)}$      | Regulator UVLO voltage hysteresis <sup>(3)</sup>     |  | 230  | 255           | 270   | mV   |
| <b>BPEXT</b>           |  |  |      |               |       |      |
| $V_{BPEXT(swover)}$    | BPEXT switch-over voltage                            |  | 4.5  | 4.6           |       | V    |
| $V_{hys(swover)}$      | BPEXT switch-over hysteresis                         |  | 100  |               | 200   | mV   |
| $V_{BPEXT(do)}$        | BPEXT dropout voltage                                | $V_{BPEXT} - V_{BP6}$ , $V_{BPEXT} = 4.8\text{ V}$ , $I_{BP6} = 25\text{ mA}$              |      |               | 100   | mV   |
| <b>BOOTSTRAP</b>       |  |  |      |               |       |      |
| $V_{BOOT(drop)}$       | Bootstrap voltage drop                               | $I_{BOOT} = 5\text{ mA}$   |      | 0.7           | 1.0   | V    |
| <b>BP3 REGULATOR</b>   |  |  |      |               |       |      |
| $V_{BP3}$              | Output voltage                                       | $V_{VDD} = 4.5\text{ V}$ , $I_{BP3} \leq 5\text{ mA}$                                      | 3.1  | 3.3           | 3.5   | V    |
| <b>OSCILLATOR</b>      |  |  |      |               |       |      |
| $f_{SW}$               | Adjustment range                                     |  | 100  |               | 1000  | kHz  |
|                        | Switching frequency                                  | $R_{RT} = 40\text{ k}\Omega$   | 450  | 500           | 550   |      |
| $V_{RMP}$              | Ramp peak-to-peak <sup>(3)</sup>                     |  |      | $V_{VDD}/8.2$ |       | V    |
| $V_{VLY}$              | Valley voltage <sup>(3)</sup>                        |  | 0.7  | 0.8           | 1.0   | V    |

(1) Thresholds selected by entering high side parameters for PGOOD\_ON and PGOOD\_OFF. Cannot select same threshold for PGOOD\_ON & PGOOD\_OFF.

(2) By design, hysteresis of at least 150 mV is specified.

(3) Specified by design. Not production tested.

**ELECTRICAL CHARACTERISTICS<sup>(1)</sup> (continued)**
 $T_J = -40^{\circ}\text{C}$  to  $125^{\circ}\text{C}$ ,  $V_{IN} = V_{DD} = 12\text{ V}$ , RT set for 500 kHz, all parameters at zero power dissipation (unless otherwise noted)

| PARAMETER                        |  | TEST CONDITIONS   | MIN                    | TYP   | MAX                    | UNIT     |
|----------------------------------|--|---|------------------------|-------|------------------------|----------|
| <b>SYNCHRONIZATION</b>           |  |   |                        |       |                        |          |
| $V_{\text{SYNCH}}$               | SYNC high level threshold  |   | 2.0                    |       |                        | V        |
| $V_{\text{SYNCL}}$               | SYNC low level threshold   |   |                        |       | 0.8                    | V        |
| $t_{\text{SYNC}}$                | Minimum SYNC pulse width   |   |                        |       | 100                    | ns       |
| $f_{\text{SYNC(max)}}$           | Maximum SYNC frequency <sup>(4)</sup>                              |   | 2000                   |       |                        | kHz      |
| $f_{\text{SYNC(min)}}$           | Minimum SYNC frequency <sup>(4)</sup>                              |   |                        |       | 200                    |          |
|                                  | SYNC frequency range (increase from nominal oscillator frequency)  |   | -20%                   |       | 20%                    |          |
| <b>PWM</b>                       |  |   |                        |       |                        |          |
| $t_{\text{OFF(min)}}$            | Minimum off time   |   | 90                     | 100   |                        | ns       |
| $t_{\text{ON(min)}}$             | Minimum pulse <sup>(5)</sup>                                       |   |                        | 90    | 130                    | ns       |
| $t_{\text{DEAD}}$                | Output driver dead time  | HDRV off to LDRV on   | 15                     | 25    | 30                     | ns       |
|                                  |  | LDRV off to HDRV on   | 25                     | 35    | 45                     |          |
| <b>SOFT START</b>                |  |   |                        |       |                        |          |
| $t_{\text{SS}}$                  | Soft-start time  | Factory default settings  | 2.4                    | 2.7   | 3.0                    | ms       |
|                                  | Accuracy over range <sup>(5)</sup>                                 | $600\ \mu\text{s} \leq t_{\text{SS}} \leq 9\ \text{ms}$   | -15%                   |       | 15%                    |          |
| $t_{\text{ON(delay)}}$           | Turn-on delay time <sup>(6)</sup>                                  | Factory default settings  |                        | 0     |                        | ms       |
| $t_{\text{OFF(delay)}}$          | Turn-off delay time  | Factory default settings  |                        | 0     |                        | ms       |
| <b>REMOTE SENSE AMPLIFIER</b>    |  |   |                        |       |                        |          |
| $V_{\text{DIFFO(Err)}}$          | Error voltage from DIFFO1 to $(V_{\text{SNS1}} - G_{\text{SNS1}})$ | $(V_{\text{SNS1}} - G_{\text{SNS1}}) = 0.6\ \text{V}$   | -5                     |       | 5                      | mV       |
|                                  |  | $(V_{\text{SNS1}} - G_{\text{SNS1}}) = 1.2\ \text{V}$   | -8                     |       | 8                      |          |
|                                  |  | $(V_{\text{SNS1}} - G_{\text{SNS1}}) = 3.0\ \text{V}$   | -17                    |       | 17                     |          |
| BW                               | Closed-loop bandwidth <sup>(5)</sup>                               |   | 2                      |       |                        | MHz      |
| $V_{\text{DIFFO(max)}}$          | Maximum DIFFOx output voltage                                      |   | $V_{\text{BP6}} - 0.2$ |       |                        | V        |
| $I_{\text{DIFFO}}$               | Sourcing   |   | 1                      |       |                        | mA       |
|                                  | Sinking  |   | 1                      |       |                        |          |
| <b>DRIVERS</b>                   |  |   |                        |       |                        |          |
| $R_{\text{HS(up)}}$              | High-side driver pull-up resistance                                | $(V_{\text{BOOT}} - V_{\text{SW}}) = 6.5\ \text{V}$ , $I_{\text{HS}} = -40\ \text{mA}$                                      | 0.8                    | 1.5   | 2.5                    | $\Omega$ |
| $R_{\text{HS(dn)}}$              | High-side driver pull-down resistance                              | $(V_{\text{BOOT}} - V_{\text{SW}}) = 6.5\ \text{V}$ , $I_{\text{HS}} = 40\ \text{mA}$                                       | 0.5                    | 1.0   | 1.5                    |          |
| $R_{\text{LS(up)}}$              | Low-side driver pull-up resistance                                 | $I_{\text{LS}} = -40\ \text{mA}$  | 0.8                    | 1.5   | 2.5                    |          |
| $R_{\text{LS(dn)}}$              | Low-side driver pull-down resistance                               | $I_{\text{LS}} = 40\ \text{mA}$   | 0.35                   | 0.70  | 1.40                   |          |
| $t_{\text{HS(rise)}}$            | High-side driver rise time <sup>(5)</sup>                          | $C_{\text{LOAD}} = 5\ \text{nF}$  |                        | 15    |                        | ns       |
| $t_{\text{HS(fall)}}$            | High-side driver fall time <sup>(5)</sup>                          | $C_{\text{LOAD}} = 5\ \text{nF}$  |                        | 12    |                        |          |
| $t_{\text{LS(rise)}}$            | Low-side driver rise time <sup>(5)</sup>                           | $C_{\text{LOAD}} = 5\ \text{nF}$  |                        | 15    |                        |          |
| $t_{\text{LS(fall)}}$            | Low-side driver fall time <sup>(5)</sup>                           | $C_{\text{LOAD}} = 5\ \text{nF}$  |                        | 10    |                        |          |
| <b>CURRENT SENSING AMPLIFIER</b> |  |   |                        |       |                        |          |
| $V_{\text{CS(rng)}}$             | Differential input voltage range                                   | $V_{\text{CSxP}} - V_{\text{CSxN}}$   | -60                    |       | 60                     | mV       |
| $V_{\text{CS(cmr)}}$             | Input common-mode range  |   | 0                      |       | $V_{\text{BP6}} - 0.2$ | V        |
| $V_{\text{CS(os)}}$              | Input offset voltage   | $V_{\text{CSxP}} = V_{\text{CSxN}} = 0\ \text{V}$   | -3                     |       | 3                      | mV       |
| $A_{\text{CS}}$                  | Current sensing gain   |   |                        | 15.00 |                        | V/V      |
| $V_{\text{CS(out)}}$             | Amplifier output   | $(V_{\text{CSxP}} - V_{\text{CSxN}}) = 20\ \text{mV}$   | 270                    | 300   | 330                    | mV       |
| $f_{\text{CO}}$                  | Closed-loop bandwidth <sup>(5)</sup>                               |   | 3                      | 5     |                        | MHz      |
| $V_{\text{CS(chch)}}$            | Amplifier output difference between CH1, CH2                       | $(V_{\text{CS1P}} - V_{\text{CS1N}}) = (V_{\text{CS2P}} - V_{\text{CS2N}}) = 20\ \text{mV}$ ,<br>$T_J = 25^{\circ}\text{C}$ | -5.00%                 |       | 5.00%                  |          |
|                                  |  | $(V_{\text{CS1P}} - V_{\text{CS1N}}) = (V_{\text{CS2P}} - V_{\text{CS2N}}) = 20\ \text{mV}$ ,<br>$T_J = 85^{\circ}\text{C}$ | -6.67%                 |       | 6.67%                  |          |

(4) When using SYNC, the switching frequency is set to one-half the SYNC frequency.

(5) Specified by design. Not production tested.

(6) The minimum turn-on delay is 50  $\mu\text{s}$ , when TON\_DELAY is set to a factor of zero.

**ELECTRICAL CHARACTERISTICS<sup>(1)</sup> (continued)**
 $T_J = -40^{\circ}\text{C}$  to  $125^{\circ}\text{C}$ ,  $V_{IN} = V_{DD} = 12\text{ V}$ , RT set for 500 kHz, all parameters at zero power dissipation (unless otherwise noted)

| PARAMETER                                     |   | TEST CONDITIONS   | MIN   | TYP                      | MAX    | UNIT                    |
|---|---|---|-------|--------------------------|--------|-------------------------|
| <b>CURRENT LIMIT</b>                          |   |   |       |                          |        |                         |
| $t_{\text{OFF(oc)}}$                          | Off-time between restart attempts                                   | Hiccup mode   |       | $7 \times t_{\text{SS}}$ |        | ms                      |
| DCR   | Inductor DCR current sensing calibration value                      | Factory default settings  |       | 0.488                    |        | m $\Omega$              |
|   |   | Programmable range  | 0.240 |                          | 15.500 |                         |
| $I_{\text{OC(ftt)}}$                          | Output current overcurrent fault threshold                          | Factory default settings  |       | 30                       |        | A                       |
|   |   | Programmable range  | 3     |                          | 50     |                         |
| $I_{\text{OC(warn)}}$                         | Output current overcurrent warning threshold                        | Factory default settings  |       | 27                       |        | A                       |
|   |   | Programmable range  | 2     |                          | 49     |                         |
| $I_{\text{OC(tc)}}$                           | Output current fault/warning temperature coefficient <sup>(7)</sup> |   | 3900  | 4000                     | 4100   | ppm/ $^{\circ}\text{C}$ |
| $I_{\text{OC(acc)}}$                          | Output warning and fault accuracy                                   | $(V_{\text{CSxP}} - V_{\text{CSxN}}) = 30\text{ mV}$  | -15%  |                          | 15%    |                         |
| <b>PGOOD<sup>(8)</sup></b>                    |   |   |       |                          |        |                         |
| $V_{\text{FBPGH}}$                            | FB PGOOD high threshold   | Factory default settings  |       | 675                      |        | mV                      |
| $V_{\text{FBPGL}}$                            | FB PGOOD low threshold  | Factory default settings  |       | 525                      |        | mV                      |
| $V_{\text{PG(acc)}}$                          | PGOOD accuracy over range   | $4.5\text{ V} \leq V_{\text{VDD}} \leq 20\text{ V}$ ,<br>$468\text{ mV} \leq V_{\text{PGOOD}} \leq 675\text{ mV}$ | -4%   |                          | 4%     |                         |
| $V_{\text{pg(hyst)}}$                         | FB PGOOD hysteresis voltage   |   |       | 25                       | 40     | mV                      |
| $R_{\text{PGOOD}}$                            | PGOOD pulldown resistance   | $V_{\text{FB}} = 0$ , $I_{\text{PGOOD}} = 5\text{ mA}$  |       | 40                       | 70     | $\Omega$                |
| $I_{\text{PGOOD(lik)}}$                       | PGOOD pin leakage current   | No fault, $V_{\text{PGOOD}} = 5\text{ V}$   |       |                          | 20     | $\mu\text{A}$           |
| <b>OUTPUT OVERVOLTAGE/UNDERVOLTAGE</b>        |   |   |       |                          |        |                         |
| $V_{\text{FBOV}}$                             | FB pin over voltage threshold                                       | Factory default settings  |       | 700                      |        | mV                      |
| $V_{\text{FBUV}}$                             | FB pin under voltage threshold                                      | Factory default settings  |       | 500                      |        | mV                      |
| $V_{\text{UVOV(acc)}}$                        | FB UV/OV accuracy over range  | $4.5\text{ V} \leq V_{\text{VDD}} \leq 20\text{ V}$   | -4%   |                          | 4%     |                         |
| <b>OUTPUT VOLTAGE TRIMMING AND MARGINING</b>  |   |   |       |                          |        |                         |
| $V_{\text{FBTM(step)}}$                       | Resolution of FB steps with trim and margin                         |   |       | 2                        |        | mV                      |
| $t_{\text{FBTM(step)}}$                       | Transition time per trim or margin step                             | After soft-start time   |       | 30                       |        | $\mu\text{s}$           |
| $V_{\text{FBTM(max)}}$                        | Maximum FB voltage with trim and/or margin                          |   |       | 660                      |        | mV                      |
| $V_{\text{FBTM(min)}}$                        | Minimum FB voltage with trim or margin only                         |   |       | 480                      |        | mV                      |
|   | Minimum FB voltage range with trim and margin combined              |   |       | 420                      |        |                         |
| $V_{\text{FBMH}}$                             | Margin high FB pin voltage  | Factory default settings  |       | 660                      |        | mV                      |
| $V_{\text{FBML}}$                             | Margin low FB pin voltage   | Factory default settings  |       | 540                      |        | mV                      |
| <b>TEMPERATURE SENSE AND THERMAL SHUTDOWN</b> |   |   |       |                          |        |                         |
| $T_{\text{SD}}$                               | Junction shutdown temperature <sup>(7)</sup>                        |   | 135   | 145                      | 155    | $^{\circ}\text{C}$      |
| $T_{\text{HYST}}$                             | Thermal shutdown hysteresis <sup>(7)</sup>                          |   | 15    | 20                       | 25     | $^{\circ}\text{C}$      |
| $I_{\text{TSNS(ratio)}}$                      | Ratio of bias current flowing out of TSNS pin, state 2 to state 1   |   | 9.7   | 10.0                     | 10.3   |                         |
| $I_{\text{TSNS}}^{(7)}$                       | State 1 current out of TSNSx pin                                    |   |       | 10                       |        | $\mu\text{A}$           |
| $I_{\text{TSNS}}^{(7)}$                       | State 2 current out of TSNSx pin                                    |   |       | 100                      |        | $\mu\text{A}$           |
| $V_{\text{TSNS}}$                             | Voltage range on TSNSx pin <sup>(7)</sup>                           |   | 0     |                          | 1.00   | V                       |
| $T_{\text{SNS(acc)}}$                         | External temperature sense accuracy <sup>(9)</sup>                  | $0^{\circ}\text{C} \leq T_J \leq 125^{\circ}\text{C}$   | -5    |                          | 5      | $^{\circ}\text{C}$      |
| $T_{\text{OT(ftt)}}$                          | Overtemperature fault limit <sup>(7)</sup>                          | Factory default settings  |       | 145                      |        | $^{\circ}\text{C}$      |
|   | OT fault limit range <sup>(7)</sup>                                 |   | 120   |                          | 165    |                         |
| $T_{\text{OT(warn)}}$                         | Overtemperature warning limit <sup>(7)</sup>                        | Factory default settings  |       | 125                      |        | $^{\circ}\text{C}$      |
|   | OT warning limit range <sup>(7)</sup>                               |   | 100   |                          | 140    |                         |
| $T_{\text{OT(step)}}$                         | OT fault/warning step   |   |       | 5                        |        | $^{\circ}\text{C}$      |
| $T_{\text{OT(hys)}}$                          | OT fault/warning hysteresis <sup>(7)</sup>                          |   | 15    | 20                       | 25     | $^{\circ}\text{C}$      |

(7) Specified by design. Not production tested.

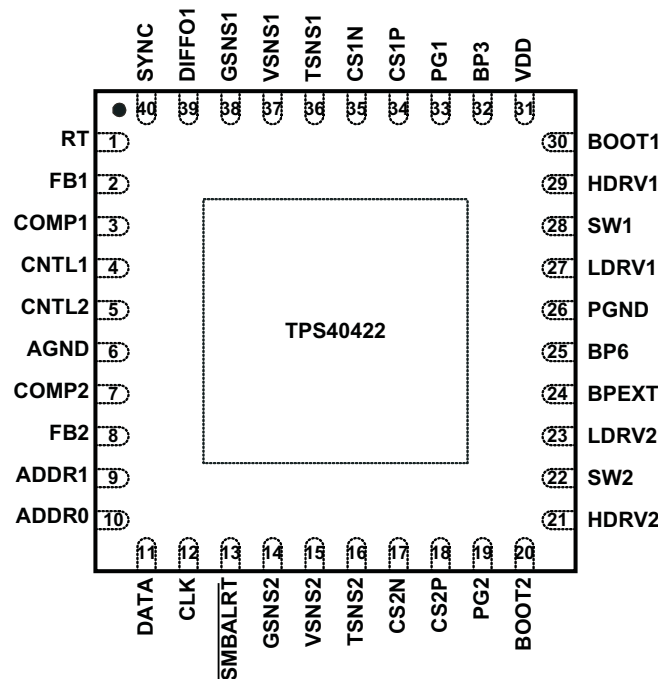
(8) Thresholds selected by entering high side parameters for PGOOD\_ON and PGOOD\_OFF. Cannot select same threshold for PGOOD\_ON & PGOOD\_OFF.

(9) Specified by design. Not production tested.

**ELECTRICAL CHARACTERISTICS<sup>(1)</sup> (continued)**
 $T_J = -40^{\circ}\text{C}$  to  $125^{\circ}\text{C}$ ,  $V_{IN} = V_{DD} = 12\text{ V}$ , RT set for 500 kHz, all parameters at zero power dissipation (unless otherwise noted)

| PARAMETER                 |   | TEST CONDITIONS  | MIN   | TYP   | MAX   | UNIT          |
|---------------------------|---|--|-------|-------|-------|---------------|
| <b>MEASUREMENT SYSTEM</b> |   |  |       |       |       |               |
| $M_{V_{OUT}(\text{rng})}$ | Output voltage measurement range <sup>(10)</sup>            |  | 0.5   |       | 5.8   | V             |
| $M_{V_{OUT}(\text{acc})}$ | Output voltage measurement accuracy                         | $V_{OUT} = 1.0\text{ V}$   | -2.0% |       | 2.0%  |               |
| $M_{I_{OUT}(\text{rng})}$ | Output current measurement signal range <sup>(10)</sup>     | $V_{CSxP} - V_{CSxN}$ , $0.2440\text{ m}\Omega \leq I_{OUT\_CAL\_GAIN} \leq 0.5795\text{ m}\Omega$ | 0     |       | 36    | mV            |
|                           |   | $V_{CSxP} - V_{CSxN}$ , $0.5796\text{ m}\Omega \leq I_{OUT\_CAL\_GAIN} \leq 1.1285\text{ m}\Omega$ | 0     |       | 60    |               |
|                           |   | $V_{CSxP} - V_{CSxN}$ , $1.1286\text{ m}\Omega \leq I_{OUT\_CAL\_GAIN} \leq 15.5\text{ m}\Omega$   | 0     |       | 90    |               |
| $M_{I_{OUT}(\text{acc})}$ | Output current measurement accuracy                         | $I_{OUT} \geq 20\text{ A}$ , $\text{DCR} = 0.5\text{ m}\Omega$                                     | -1.0  |       | 1.0   | A             |
| <b>PMBus ADDRESSING</b>   |   |  |       |       |       |               |
| $I_{ADD}$                 | Address pin bias current                                    |  | 9.24  | 10.50 | 11.76 | $\mu\text{A}$ |
| <b>PMBus INTERFACE</b>    |   |  |       |       |       |               |
| $V_{IH}$                  | Input high voltage, CLK, DATA, CNTLx                        |  | 2.1   |       |       | V             |
| $V_{IL}$                  | Input low voltage, CLK, DATA, CNTLx                         |  |       |       | 0.8   | V             |
| $I_{IH}$                  | Input high level current, CLK, DATA                         |  | -10   |       | 10    | $\mu\text{A}$ |
| $I_{IL}$                  | Input low level current, CLK, DATA                          |  | -10   |       | 10    | mA            |
| $I_{CNTL}$                | CNTL pin pull-up current                                    |  |       | 6     |       | $\mu\text{A}$ |
| $V_{OL}$                  | Output low level voltage, DATA, <sup>(10)</sup>             | $4.5\text{ V} \leq V_{DD} \leq 20\text{ V}$ , $I_{OUT} = 4\text{ mA}$                              |       |       | 0.8   | V             |
| $I_{OH}$                  | Output high level open drain leakage current, DATA, SMBALRT | $V_{OUT} = 5.5\text{ V}$   | 0     |       | 10    | $\mu\text{A}$ |
| $C_{OUT}$                 | Pin capacitance, CLK, DATA <sup>(10)</sup>                  |  |       |       | 1     | pF            |
| $F_{PMB}$                 | PMBus operating frequency range <sup>(10)</sup>             | Slave mode   | 10    |       | 400   | kHz           |
| $t_{BUF}$                 | Bus free time between START and STOP <sup>(10)</sup>        |  | 4.7   |       |       | $\mu\text{s}$ |
| $t_{HD:STA}$              | Hold time after repeated START <sup>(10)</sup>              |  | 4.0   |       |       | $\mu\text{s}$ |
| $t_{SU:STA}$              | Repeated START setup time <sup>(10)</sup>                   |  | 4.7   |       |       | $\mu\text{s}$ |
| $t_{SU:STO}$              | STOP setup time <sup>(10)</sup>                             |  | 4.0   |       |       | $\mu\text{s}$ |
| $t_{HD:DAT}$              | Data hold time <sup>(10)</sup>                              | Receive mode   | 0     |       |       | ns            |
|                           |   | Transmit mode  | 300   |       |       |               |
| $t_{SU:DAT}$              | Data setup time <sup>(10)</sup>                             |  | 250   |       |       | ns            |
| $t_{TIMEOUT}$             | Error signal/detect <sup>(10)</sup>                         |  | 25    |       | 35    | $\mu\text{s}$ |
| $t_{LOW:MEXT}$            | Cumulative clock low master extend time <sup>(10)</sup>     |  |       |       | 50    | $\mu\text{s}$ |
| $t_{LOW:SEXT}$            | Cumulative clock low slave extend time <sup>(10)</sup>      |  |       |       | 25    | $\mu\text{s}$ |
| $t_{LOW}$                 | Clock low time <sup>(10)</sup>                              |  | 4.7   |       |       | $\mu\text{s}$ |
| $t_{HIGH}$                | Clock high time <sup>(10)</sup>                             |  | 4.0   |       |       | $\mu\text{s}$ |
| $t_{FALL}$                | CLK/DATA fall time <sup>(10)</sup>                          |  |       |       | 300   | $\mu\text{s}$ |
| $t_{RISE}$                | CLK/DATA rise time <sup>(10)</sup>                          |  |       |       | 1000  | $\mu\text{s}$ |

(10) Specified by design. Not production tested.

**DEVICE INFORMATION**

**PIN FUNCTIONS**

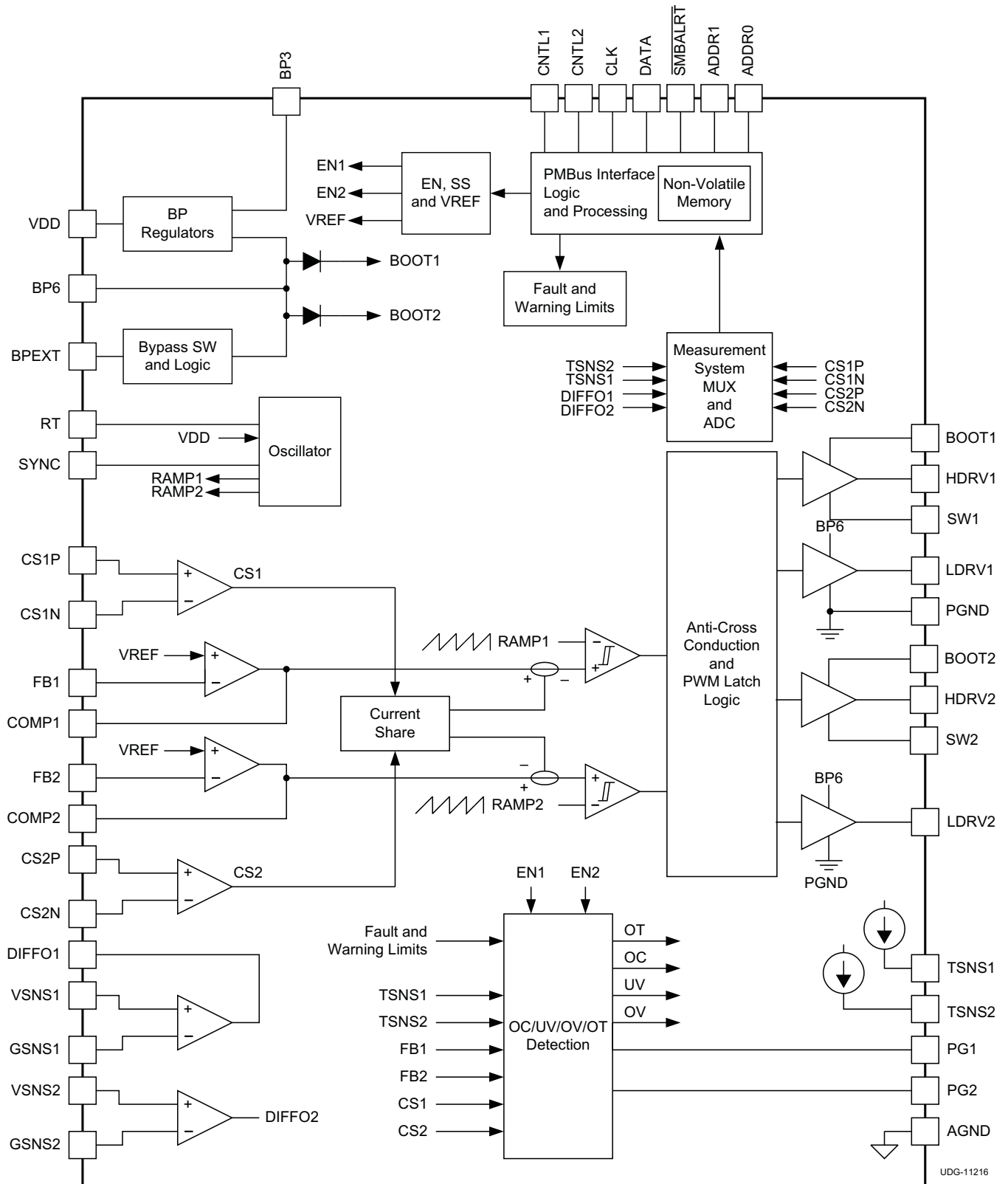
| PIN    | NO. | I/O | DESCRIPTION   |
|--------|-----|-----|---|
| ADDR0  | 10  | I   | Low-order address pin for PMBus address configuration. One of eight resistor values must be connected from this pin to AGND to select the low-order octal digit in the PMBus address.           |
| ADDR1  | 9   | I   | High-order address pin for PMBus address configuration. One of eight resistor values must be connected from this pin to AGND to select the low-order octal digit in the PMBus address.          |
| AGND   | 6   | —   | Low-noise ground connection to the controller. Connections should be arranged so that power level currents do not flow through the AGND path.   |
| BOOT1  | 30  | I   | Bootstrapped supply for the high-side FET driver for channel 1 (CH1). Connect a capacitor (100 nF typical) from BOOT1 to SW1 pin.   |
| BOOT2  | 20  | I   | Bootstrapped supply for the high-side FET driver for channel 2 (CH2). Connect a capacitor (100 nF typical) from BOOT2 to SW2 pin.   |
| BP3    | 32  | O   | Output bypass for the internal 3.3-V regulator. Connect a 100 nF or larger capacitor from this pin to AGND.   |
| BP6    | 25  | O   | Output bypass for the internal 6.5-V regulator. Connect a low ESR, 1 $\mu$ F or larger ceramic capacitor from this pin to PGND.   |
| BPEXT  | 24  | I   | External voltage input for BP6 switchover function. If the BPEXT function is not used, connect this pin directly to PGND. Otherwise connect a 100-nF or larger capacitor from this pin to PGND. |
| CLK    | 12  | I   | Clock input for the PMBus interface. Pull up to 3.3 V with a resistor.  |
| CNTL1  | 4   | I   | Logic level input which controls startup and shutdown of CH1, determined by PMBus options.  |
| CNTL2  | 5   | I   | Logic level input which controls startup and shutdown of CH2, determined by PMBus options.  |
| COMP1  | 3   | O   | Output of the error amplifier for CH1 and connection node for loop feedback components.   |
| COMP2  | 7   | O   | Output of the error amplifier for CH2 and connection node for loop feedback components. For two-phase operation, use COMP1 for loop feedback and connect COMP1 to COMP2.                        |
| CS1N   | 35  | I   | Negative terminal of current sense amplifier for CH1.   |
| CS2N   | 17  | I   | Negative terminal of current sense amplifier for CH2.   |
| CS1P   | 34  | I   | Positive terminal of current sense amplifier for CH1.   |
| CS2P   | 18  | I   | Positive terminal of current sense amplifier for CH2.   |
| DATA   | 11  | I/O | Data input/output for the PMBus interface. Pull up to 3.3 V with a resistor.  |
| DIFFO1 | 39  | O   | Output of the differential remote sense amplifier for CH1.  |



**PIN FUNCTIONS (continued)**

| PIN                         | NO. | I/O | DESCRIPTION   |
|-----------------------------|-----|-----|---|
| FB1                         | 2   | I   | Inverting input of the error amplifier for CH1. Connect a voltage divider to FB1 between DIFFO1 and AGND to program the output voltage for CH1.   |
| FB2                         | 8   | I   | Inverting input of the error amplifier for CH2. Connect a voltage divider to FB2 between VSNS2 and GSNS2 to program the output voltage for CH2. For two-phase operation, use FB1 to program the output voltage and connect FB2 to BP6 before applying voltage to VDD. |
| GSNS1                       | 38  | I   | Negative terminal of the differential remote sense amplifier for CH1.   |
| GSNS2                       | 14  | I   | Negative terminal of the differential remote sense amplifier for CH2.   |
| HDRV1                       | 29  | O   | Bootstrapped gate drive output for the high-side N-channel MOSFET for CH1.  |
| HDRV2                       | 21  | O   | Bootstrapped gate drive output for the high-side N-channel MOSFET for CH2.  |
| LDRV1                       | 27  | O   | Gate drive output for the low side synchronous rectifier N-channel MOSFET for CH1.  |
| LDRV2                       | 23  | O   | Gate drive output for the low-side synchronous rectifier N-channel MOSFET for CH2.  |
| PGND                        | 26  | —   | Power GND.  |
| PG1                         | 33  | O   | Open drain power good indicator for CH1 output voltage.   |
| PG2                         | 19  | O   | Open drain power good indicator for CH2 output voltage.   |
| RT                          | 1   | I   | Frequency programming pin. Connect a resistor from this pin to AGND to set the oscillator frequency.  |
| $\overline{\text{SMBALRT}}$ | 13  | O   | Alert output for the PMBus interface. Pull up to 3.3 V with a resistor.   |
| SW1                         | 28  | I   | Return of the high-side gate driver for CH1. Connect to the switched node for CH1.  |
| SW2                         | 22  | I   | Return of the high-side gate driver for CH2. Connect to the switched node for CH2.  |
| SYNC                        | 40  | I   | Logic level input for external clock synchronization. When an external clock is applied to this pin, the oscillator frequency synchronizes to one half of its frequency.  |
| TSNS1                       | 36  | I   | External temperature sense input for CH1.   |
| TSNS2                       | 16  | I   | External temperature sense input for CH2.   |
| VDD                         | 31  | I   | Power input to the controller. Connect a low ESR, 100 nF or larger ceramic capacitor from this pin to AGND.   |
| VSNS1                       | 37  | I   | Positive terminal of the differential remote sense amplifier for CH1.   |
| VSNS2                       | 15  | I   | Positive terminal of the differential remote sense amplifier for CH2.   |

FUNCTIONAL BLOCK DIAGRAM



UDG-11216

TYPICAL CHARACTERISTICS

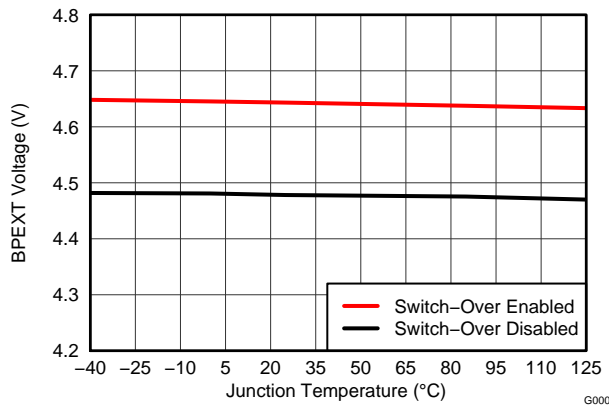


Figure 1. BPEXT Voltage vs. Junction Temperature

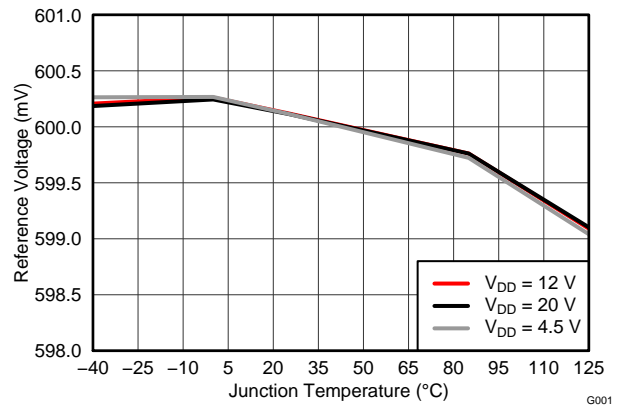


Figure 2. Reference Voltage vs. Junction Temperature

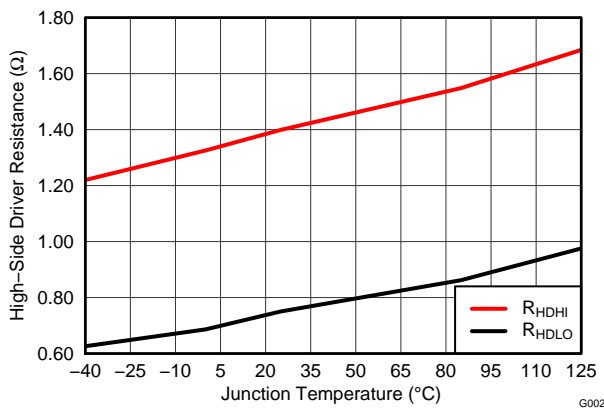


Figure 3. High-Side Driver Resistance vs. Junction Temperature

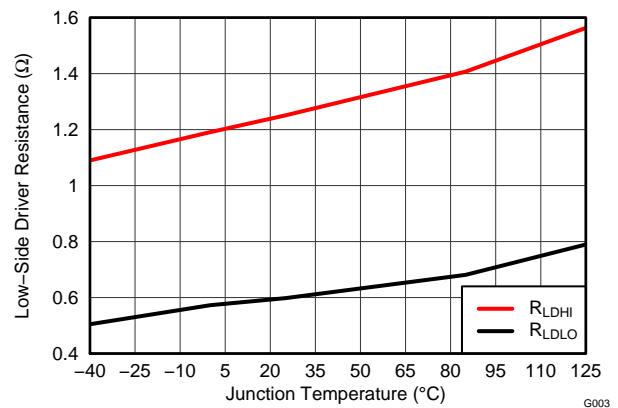


Figure 4. Low-Side Driver Resistance vs. Junction Temperature

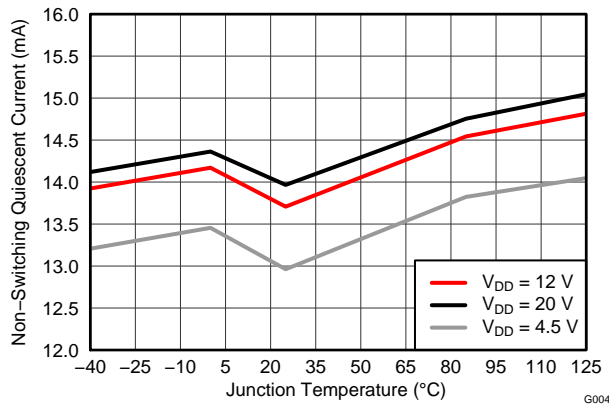


Figure 5. Non-Switching Quiescent Current vs. Junction Temperature

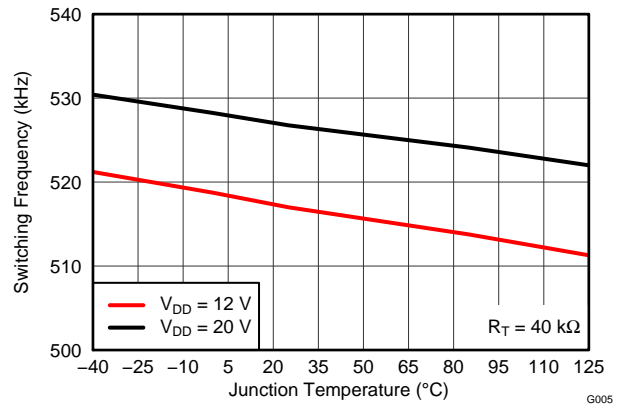
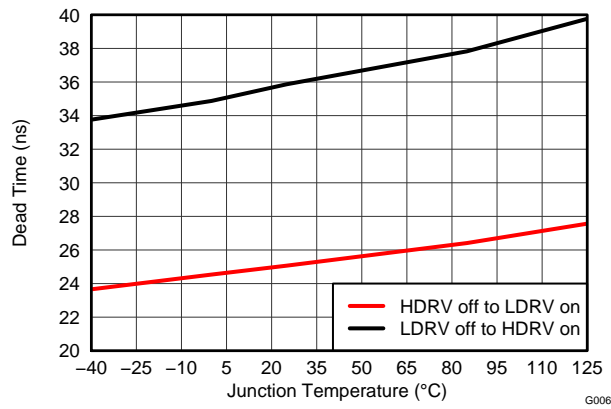
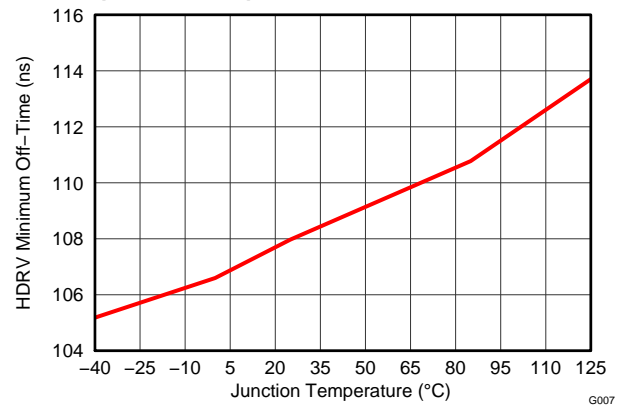


Figure 6. Switching Frequency vs. Junction Temperature

**TYPICAL CHARACTERISTICS (continued)**



**Figure 7. Dead Time vs. Junction Temperature**



**Figure 8. HDRV Minimum Off-Time vs. Junction Temperature**

## APPLICATION INFORMATION

### General Description/Control Architecture

The TPS40422 is a flexible synchronous buck controller. It can be used as a dual-output controller, or as a two-phase single-output controller. It operates with a wide input range from 4.5 V to 20 V and generates accurate regulated output as low as 600 mV.

In dual output mode, voltage mode control with input feed-forward architecture is implemented. With this architecture, the benefits are less noise sensitivity, no control instability issues for small DCR applications, and a smaller minimum controllable on-time, often desired for high conversion ratio applications.

In two-phase single-output mode, a current-sharing loop is implemented to ensure a balance of current between phases. Because the induced error current signal to the loop is much smaller when compared to the PWM ramp amplitude, the control loop is modeled as voltage mode with input feed-forward.

---

#### DESIGN NOTE

To operate the device in two-phase mode, tie the FB2 pin to the BP6 pin and tie the COMP1 pin to the COMP2 pin. These connections must be made before applying voltage to the VDD pin.

---

### PMBus General Description

Timing and electrical characteristics of the PMBus can be found in the PMB Power Management Protocol Specification, Part 1, revision 1.1 available at <http://pmbus.org>. The TPS40422 supports both the 100 kHz and 400 kHz bus timing requirements. The TPS40422 does not stretch pulses on the PMBus when communicating with the master device.

Communication over the TPS40422 device PMBus interface can either support the Packet Error Checking (PEC) scheme or not. If the master supplies CLK pulses for the PEC byte, it is used. If the CLK pulses are not present before a STOP, the PEC is not used.

The TPS40422 supports a subset of the commands in the PMBus 1.1 specification. Most all of the controller parameters can be programmed using the PMBus and stored as defaults for later use. All commands that require data input or output use the literal format. The exponent of the data words is fixed at a reasonable value for the command and altering the exponent is not supported. Direct format data input or output is not supported by the TPS40422. See the [SUPPORTED COMMANDS](#) section for specific details.

The TPS40422 also supports the SMBALERT response protocol. The SMBALERT response protocol is a mechanism by which a slave (the TPS40422) can alert the bus master that it wants to talk. The master processes this event and simultaneously accesses all slaves on the bus (that support the protocol) through the alert response address. Only the slave that caused the alert acknowledges this request. The host performs a modified receive byte operation to get the slave's address. At this point, the master can use the PMBus status commands to query the slave that caused the alert. For more information on the SMBus alert response protocol, see the System Management Bus (SMBus) specification.

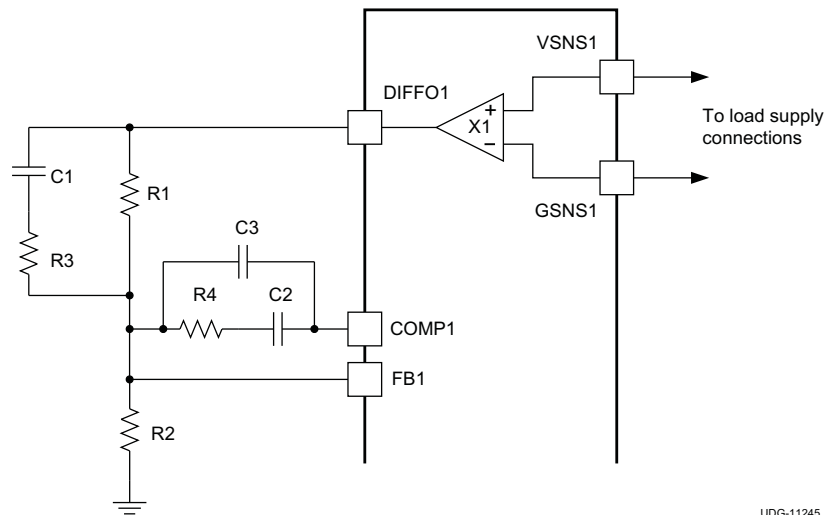
The TPS40422 contains non-volatile memory that is used to store configuration settings and scale factors. The settings programmed into the device are not automatically saved into this non-volatile memory though. The STORE\_USER\_ALL command must be used to commit the current settings to non-volatile memory as device defaults. The settings that are capable of being stored in non-volatile memory are noted in their detailed descriptions.

### Voltage Reference

The 600-mV bandgap cell is internally connected to the non-inverting input of the error amplifier. The reference voltage is trimmed with the error amplifier in a unity gain configuration to remove amplifier offset from the final regulation voltage. The 0.5-% tolerance on the reference voltage allows the user to design a very accurate power supply.

## Output Voltage

The output voltage is set in a very similar to the way to a traditional analog controller using a voltage divider from the output to the feedback (FB) pin. The output voltage must be divided down to the nominal reference voltage of 600mV. [Figure 9](#) shows the typical connections for the controller. The voltage at the load can be sensed using the unity gain differential voltage sense amplifier. This provides better load regulation for output voltages lower than 5V nominal (see electrical specifications for the maximum output voltage of the differential sense amplifier). For output voltages above this level, connect the output voltage directly to the junction of R1 and C1, leave DIFFO1 open and do not connect the VSNS1 pin to the output voltage. If desired the differential amplifier may also be used elsewhere in the overall system as a voltage buffer, provided the electrical specifications are not exceeded.



UDG-11245

**Figure 9. Setting the Output Voltage**

The components in [Figure 9](#) that determine the nominal output voltage are R1 and R2. R1 is normally chosen to make the feedback compensation values (R3, R4, C1, C2 and C3) come close to readily available standard values. R2 is then calculated in [Equation 1](#).

$$R2 = V_{FB} \times \left( \frac{R1}{(V_{OUT} - V_{FB})} \right)$$

where

- $V_{FB}$  is the feedback voltage
- $V_{OUT}$  is the desired output voltage
- R1 and R2 are in the same units

(1)

### DESIGN NOTE

There is no DIFFO2 pin. In dual-output mode, VSNS2 and GSNS2 are connected to the load for channel 2 and the DIFFO2 signal is used internally for voltage monitoring. Connect the output directly to the junction of R1 and C1 for channel 2 to set the output voltage and for feedback.

The feedback voltage can be changed –30% to +10% from the nominal 600 mV using PMBus commands. This allows the output voltage to vary by the same percentage. See the [PMBus Functionality](#) section for further details.

## Voltage Feed Forward

The TPS40422 uses input voltage feed forward that maintains a constant power stage gain as input voltage varies and provides for very good response to input voltage transient disturbances. The simple constant power stage gain of the controller greatly simplifies feedback loop design because loop characteristics remains constant as the input voltage changes, unlike a buck converter without voltage feed forward. For modeling purposes, the gain from the COMP pin to the average voltage at the input of the L-C filter is 8.2 V/V.

## Current Sensing

The TPS40422 uses a differential current sense scheme to sense the output current. The sense element can be either the series resistance of the power stage filter inductor or a separate current sense resistor. When using the inductor series resistance as in [Figure 10](#), a filter must be used to remove the large AC component of voltage across the inductor and leave only the component of the voltage that appears across the resistance of the inductor. The values of R5 and C4 for the ideal case can be found by [Equation 2](#). The time constant of the R-C filter should be equal to or greater than the time constant of the inductor itself. If the time constants are equal, the voltage appearing across C4 is the current in the inductor multiplied the inductor resistance. The inductor ripple current is reflected in the voltage across C4 perfectly in this case and there is no reason to have a shorter R-C time constant.

The time constant of the R-C filter can be made longer than the inductor time constant because this is a voltage mode controller and the current sensing is done for overcurrent detection and output current reporting only. Extending the R-C filter time constant beyond the inductor time constant lowers the AC ripple component of voltage present at the current sense pins of the TPS40422 but allows the correct DC current information to remain intact. This also delays slightly the response to an overcurrent event, but reduces noise in the system leading to cleaner overcurrent performance and current reporting data over the PMBus

$$R5 \times C4 \geq \left( \frac{L}{R_{DCR}} \right)$$

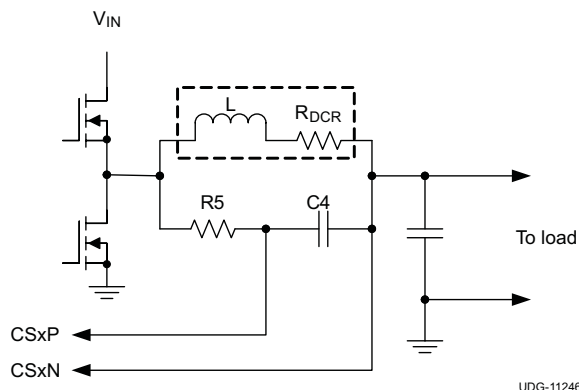
where (from [Figure 10](#))

- R5 and  $R_{ESR}$  are in  $\Omega$
- C4 is in F (suggest 100 nF,  $10^{-7}F$ )
- L is in H

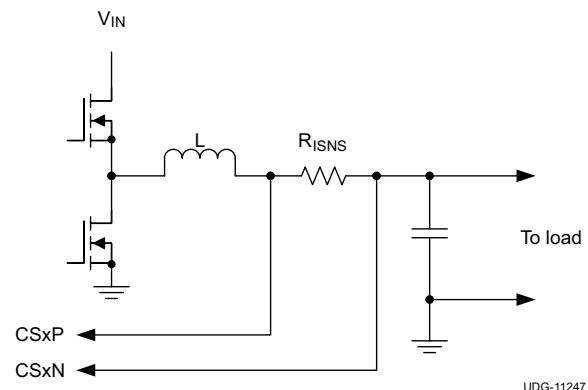
(2)

The maximum voltage that the TPS40422 is designed to accept across the current sense pins is 60 mV. Because most all inductors have a copper conductor and because copper has a fairly large temperature coefficient of resistance, the resistance of the inductor and the current through the inductor should make a DC voltage less than 60 mV when the inductor is at the maximum temperature for the converter. This also applies for the external resistor in [Figure 11](#). The full load output current multiplied by the sense resistor value, must be less than 110 mV at the maximum converter operating temperature.

In all cases, C4 should be placed as close to the current sense pins as possible to help avoid problems with noise.



**Figure 10. Current Sensing Using Inductor Resistance**



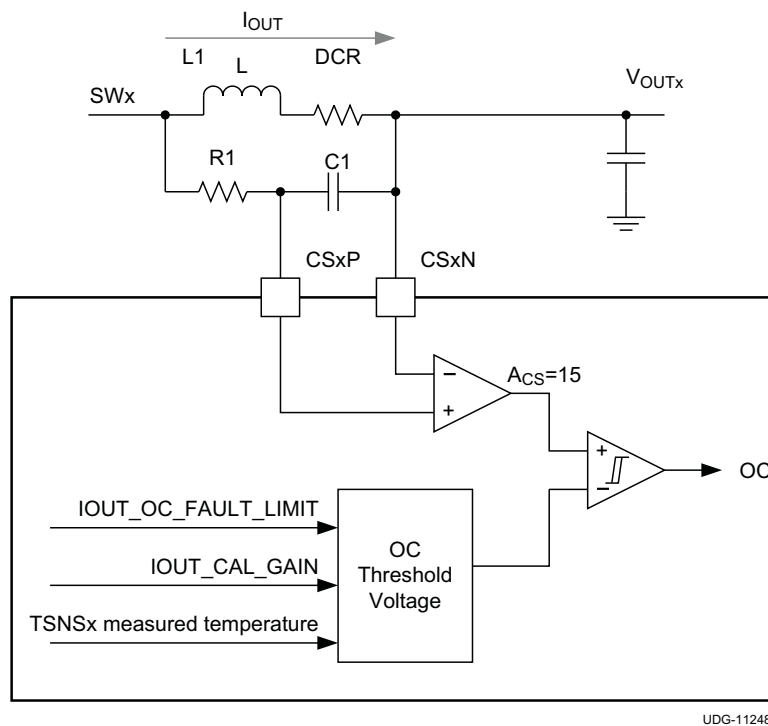
**Figure 11. Current Sensing Using Sense Resistor**

Once the current sensing method is chosen, the TPS40422 needs to be told what the resistance of the current sense element is. This allows the proper calculation of thresholds for the overcurrent fault and warning, as well as more accurate reporting of the actual output current. The `IOUT_CAL_GAIN` command is used to set the value of the sense element resistance of the device. `IOUT_OC_WARN_LIMIT` and `IOUT_OC_FAULT_LIMIT` set the levels for the overcurrent warning and fault levels respectively. (See the [PMBus Functionality](#) section for more details.)

## Overcurrent Protection

The TPS40422 has overcurrent fault and warning thresholds for each channel which can be independently set, when operating in dual-output mode. When operating in two-phase mode, both channels share the same overcurrent fault and warning thresholds. The overcurrent thresholds are set over PMBus using the `IOUT_OC_FAULT_LIMIT` and `IOUT_OC_WARN_LIMIT` commands. (See the [PMBus Functionality](#) section for more details.)

The TPS40422 generates an internal voltage corresponding to the desired overcurrent threshold, using the `IOUT_OC_FAULT_LIMIT` threshold and the `IOUT_CAL_GAIN` setting, and adjusting for temperature using the measured external temperature value. The sensed current signal is amplified by the current sense amplifier with a fixed gain of 15 and then compared with this internal voltage threshold. A similar structure is used to activate an overcurrent warning based on the `IOUT_OC_WARN_LIMIT` threshold.



**Figure 12. Overcurrent Protection**

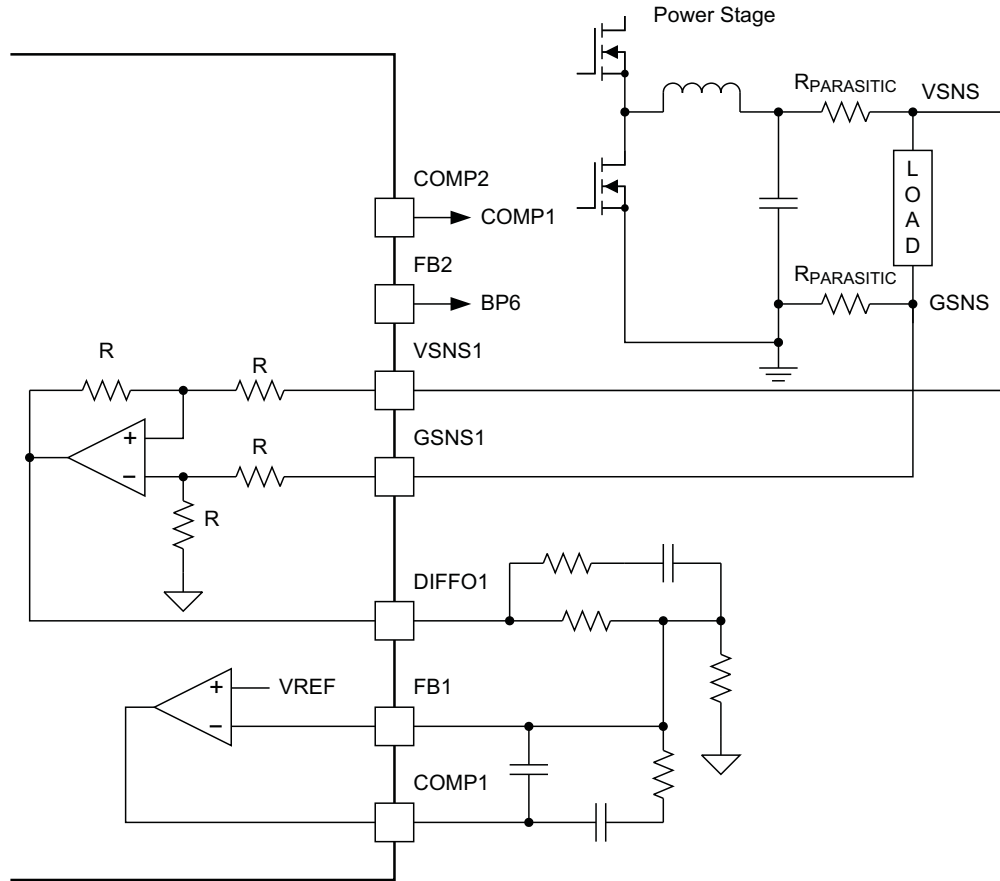
The TPS40422 implements cycle-by-cycle current limit when the peak sensed current exceeds the set threshold. In a time constant matched current sensor network, the signal across the CSxP and CSxN pins has both dc and ac inductor current information, so overcurrent trips when the dc current plus half of the ripple current exceeds the set threshold. When the time constant is not well-matched, the dc current which trips the overcurrent changes accordingly.

When the controller counts three consecutive clock cycles of an overcurrent condition, the high-side and low-side MOSFETs are turned off and the controller enters hiccup mode or latches the output off, depending on the `IOUT_OC_FAULT_RESPONSE` register. In continuous restart hiccup mode, after seven soft-start cycles, normal switching is attempted. If the overcurrent has cleared, normal operation resumes; otherwise, the sequence repeats.



## Two-Phase Mode and Current Sharing Loop

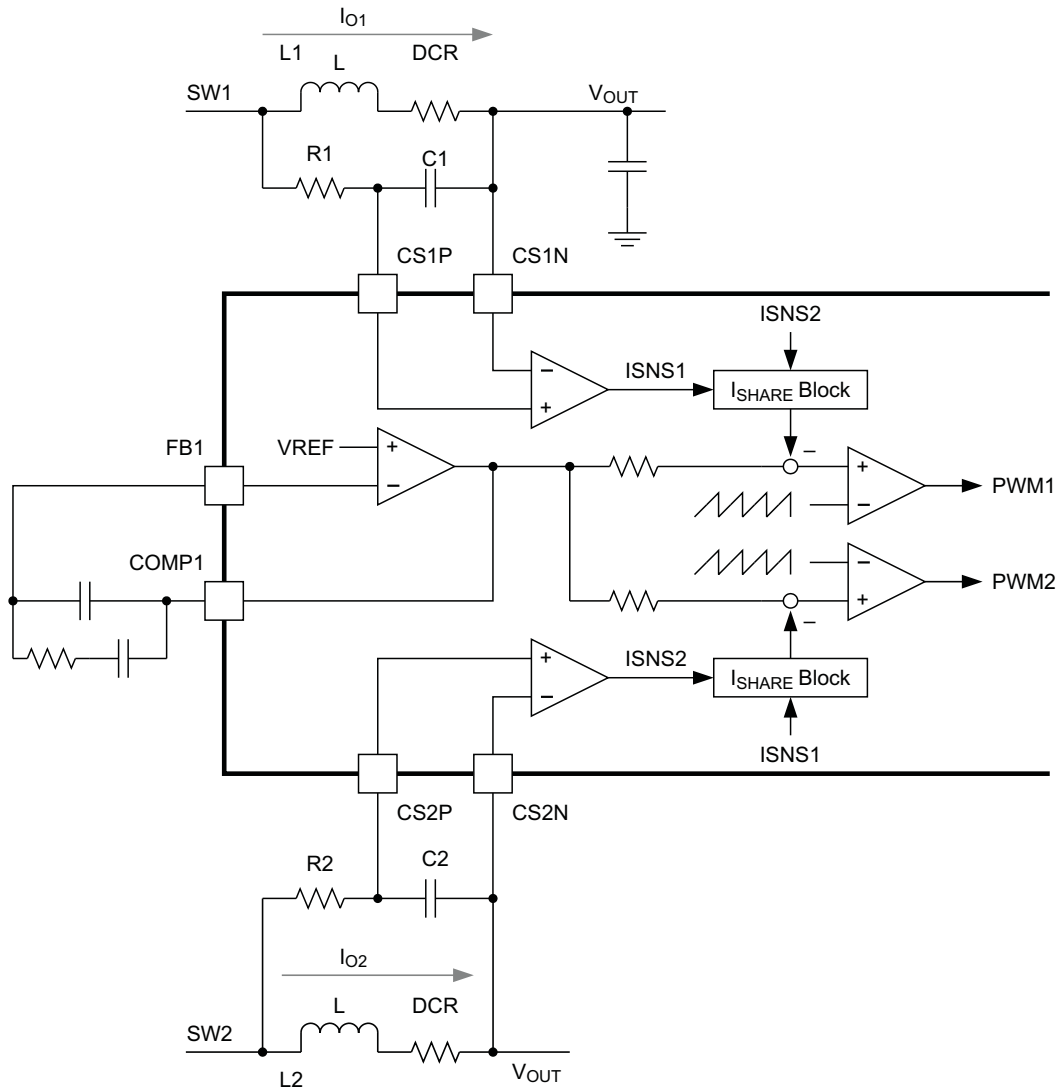
The TPS40422 can be configured to operate in single-output two-phase mode for high-current applications. With proper selection of the external MOSFETs, this device can support up to 50-A of load current in a two-phase configuration. As shown in Figure 13, to configure TPS40422 as two-phase mode, FB2 is tied to BP6. In this mode, COMP1 must be connected to COMP2 to ensure current sharing between the two phases. For high-current applications, the remote sense amplifier is used to compensate for the parasitic offset to provide an accurate output voltage. DIFFO1, which is the output of the remote sensing amplifier, is connected to the resistor divider of the feedback network.



UDG-11249

Figure 13. Two-Phase Mode Configuration

When the device operates in two-phase mode, a current sharing loop as shown in Figure 13 is designed to maintain the current balance between phases. Both phases share the same comparator voltage (COMP1). The sensed current in each phase is compared first in a current share block, then an error current and fed into COMP. The resulted error voltage is compared with the voltage ramp to generate the PWM pulse.



UDG-11250

Figure 14. Two-Phase Mode Current Share Loop

## Linear Regulators

The TPS40422 has two on-board linear regulators primarily intended to provide suitable power for the internal circuitry of the device. These pins, BP3 and BP6 must be properly bypassed to function properly. BP3 needs a minimum of 100 nF connected to AGND and BP6 should have approximately 1  $\mu$ F of capacitance connected to PGND.

It is permissible to use the external regulator to power other circuits if desired, but care must be taken to ensure that the loads placed on the regulators do not adversely affect operation of the controller. The main consideration is to avoid loads with heavy transient currents that can affect the regulator outputs. Transient voltages on these outputs could result in noisy or erratic operation of the TPS40422.

Current limits must also be observed. Shorting the BP3 pin to GND damages the BP3 regulator. The BP3 regulator input comes from the BP6 regulator output. The BP6 regulator can supply 120 mA so the total current drawn from both regulators must be less than that. This total current includes the device operating current  $I_{VDD}$  plus the gate drive current required to drive the power FETs. The total available current from two regulators is described in [Equation 3](#) and [Equation 4](#):

$$I_{L(in)} = I_{BP6} - (I_{VDD} + I_{GATE}) \quad (3)$$

$$I_{GATE} = f_{SW} \times (Q_{gHIGH} + Q_{gLOW})$$

where

- $I_{L(in)}$  is the total current that can be drawn from BP3 and BP6 in aggregate
  - $I_{BP6}$  is the current limit of the BP6 regulator (120-mA minimum)
  - $I_{VDD}$  is the quiescent current of the TPS40422 (15-mA maximum)
  - $I_{GATE}$  is the gate drive current required by the power FETs
  - $f_{SW}$  is the switching frequency
  - $Q_{gHIGH}$  is the total gate charge required by the high-side FETs
  - $Q_{gLOW}$  is the total gate charge required by the low-side FETs
- (4)

## BP Crossover

If the voltage on the BPEXT pin is lower than the switch-over voltage,  $V_{BPEXT(swover)}$ , then the internal BP6 regulator is used. If the voltage on the BPEXT pin exceeds this switch-over voltage, then the internal BP6 regulator is bypassed and the BP6 pin follows BPEXT, until the voltage on the BPEXT pin falls by the BPEXT switch-over hysteresis amount,  $V_{HYS(swover)}$ .

If the BPEXT function is not used, it is recommended to connect the BPEXT pin to GND. Depending on board layout, there may be noise injected into the BPEXT pin. An external resistor, in the range of 10's to 100's of k $\Omega$ s, can be connected from BPEXT to GND to increase noise immunity.

## Switching Frequency Setting

The switching frequency is set by the value of the resistor connected from the RT pin to AGND. The RT resistor value is calculated in [Equation 5](#).

$$R_{RT} = \frac{20 \times 10^9}{f_{SW}}$$

where

- $R_{RT}$  is the the resistor from RT pin to AGND, in  $\Omega$
  - $f_{SW}$  is the desired switching frequency, in Hz
- (5)

The TPS40422 device can also synchronize to an external clock that is  $\pm 20\%$  of the master clock frequency which is two times the free running frequency.

## PMBus Functionality

### PMBus Address

The PMBus specification requires that each device connected to the PMBus have a unique address on the bus. The TPS40422 has 64 possible addresses (0 through 63 in decimal) that can be assigned by connecting resistors from the ADDR0 and ADDR1 pins to AGND. The address is set in the form of two octal (0-7) digits, one digit for each pin. ADDR1 is the high-order digit and ADDR0 is the low-order digit.

The E48 series resistors suggested for each digit value are shown in [Table 1](#).

**Table 1. E48 Series Resistors**

| DIGIT | RESISTANCE (kΩ) |
|-------|-----------------|
| 0     | 11              |
| 1     | 18.7            |
| 2     | 27.4            |
| 3     | 38.3            |
| 4     | 53.6            |
| 5     | 82.5            |
| 6     | 127             |
| 7     | 187             |

The TPS40422 also detects values that are out of range on the ADDR0 and ADDR1 pins. If either pin is detected as having an out of range resistance connected to it, the device continues to respond to PMBus commands, but at address 127, which is outside of the possible programmed addresses. It is possible but not recommended to use the device in this condition, especially if other TPS40422 devices are present on the bus or if another device could possibly occupy the 127 address.

### PMBus Connections

The TPS40422 supports both the 100-kHz and 400-kHz bus speeds. Connection for the PMBus interface should follow the *High Power DC* specifications given in section 3.1.3 on the [System Management Bus \(SMBus\) Specification V2.0](#) for the 400-kHz bus speed or the *Low Power DC* specifications in section 3.1.2. The complete SMBus specification is available from the SMBus web site, [smbus.org](http://smbus.org).

### PMBus Data Format

There are three data formats supported in PMBus form commands that require representation of a literal number as their argument (commands that set thresholds, voltages or report such). A compatible device needs to only support one of these formats. The TPS40422 supports the *Linear* data format only for these commands. In this format, the data argument consists of two parts, a mantissa and an exponent. The number represented by this argument can be expressed as shown in [Equation 6](#).

$$\text{Value} = \text{Mantissa} \times 2^{\text{exponent}} \quad (6)$$

### PMBus Output Voltage Adjustment

The nominal output voltage of the converter can be adjusted using the VREF\_TRIM command. See the VREF\_TRIM command description for the format of this command as used in the TPS40422. The adjustment range is between -20% and +10% from the nominal output voltage. The VREF\_TRIM command is typically used to trim the final output voltage of the converter without relying on high precision resistors being used in [Figure 9](#). The resolution of the adjustment is 7 bits, with a resulting minimum step size of approximately 0.4%. Note that the output margining is accomplished using this same 7 bit structure so the total combined deviation from the nominal output for margining and VREF\_TRIM is remains limited to between -20% and +10%. Exceeding this range is not supported.

The TPS40422 operates in three states that the are determine the actual output voltage:

- No output margin
- Margin high
- Margin low

These output states are set using the OPERATION command. The FB pin reference voltage is calculated as follows in each of these states.

No margin voltage:

$$V_{FB} = VREF\_TRIM + 0.6 \quad (7)$$

Margin high voltage state:

$$V_{FB} = STEP\_VREF\_MARGIN\_HIGH + VREF\_TRIM + 0.6 \quad (8)$$

Margin low state:

$$V_{FB} = STEP\_VREF\_MARGIN\_LOW + VREF\_TRIM + 0.6$$

where

- $V_{FB}$  is the FB pin voltage
  - VREF\_TRIM is the offset voltage in volts to be applied to the output voltage
  - VREF\_MARGIN\_HIGH is the requested margin high voltage
  - VREF\_MARGIN\_LOW is the requested margin low voltage
- (9)

For these conditions, the output voltage is shown in [Equation 10](#).

$$V_{OUT} = V_{FB} \times \left( \frac{R2 + R1}{R2} \right)$$

where

- $V_{FB}$  is the pin voltage calculated in [Equation 7](#), [Equation 8](#) or [Equation 9](#) depending on the output state
  - R2 and R1 are in consistent units from [Figure 9](#)
  - $V_{OUT}$  is the output voltage
- (10)

---

#### NOTE

The sum of the margin and trim voltages cannot be more than between –20% and +10% of the nominal output voltage. The FB pin voltage can deviate no more than this from the nominal 600 mV.

---

## Reading the Output Current

The average output current for the converter is readable using the READ\_IOUT command. The results of this command support only positive or current sourced from the converter. If the converter is sinking current the result of this command is a reading of 0 A.

## Soft-Start Time

The TPS40422 supports several soft-start times from 600  $\mu$ s to 9 ms selected by the TON\_RISE PMBus command. See the command description for full details on the levels and implementation. When selecting the soft-start time, care must be taken to ensure that the charging current for the output capacitors is considered. In some applications (e.g., those with large amounts of output capacitance) this current can lead to problems with nuisance tripping of the overcurrent protection circuitry. To ensure that this does not happen, the output capacitor charging current should be included when considering where to set the overcurrent threshold. The output capacitor charging current can be found using [Equation 11](#):

$$I_{CAP} = \left( \frac{V_{OUT} \times C_{OUT}}{t_{SS}} \right)$$

where

- $I_{CAP}$  is the startup charging current of the output capacitance in A
  - $V_{OUT}$  is the output voltage of the converter in V
  - $C_{OUT}$  is the total output capacitance in F
  - $t_{SS}$  is the selected soft-start time in seconds
- (11)

With the charging current calculated, the overcurrent threshold can then be calibrated to the sum of the maximum load current and the output capacitor charging current plus some margin. The amount of margin required depends on the individual application, but 25% is a suggested starting point. More or less may be required.

## Turn-On/Turn-Off Delay and Sequencing

The TPS40422 provides many sequencing options. Using the ON\_OFF\_CONFIG command, each rail can be configured to startup whenever the input is not in undervoltage lockout or to additionally require a signal on the CNTLx pin and/or receive an update to the OPERATION command over PMBus.

When the gating signal as specified by ON\_OFF\_CONFIG is reached for that rail, a programmable turn-on delay can be set with TON\_DELAY. The rise time can be programmed with TON\_RISE. When the specified signal(s) are set to turn the output off, a programmable turn-off delay set by TOFF\_DELAY is used before switching is inhibited. More information can be found in the PMBus command descriptions.

When the output voltage is within the PGOOD window after the start-up period, the PGOOD pin is asserted. This can be connected to the CNTL pin of another rail in dual-output mode or on another device to control turn-on and turn-off sequencing.

## Pre-Biased Output Start-Up

The TPS40422 contains a circuit that prevents current from being pulled from the output during the start-up sequence in a pre-biased output condition. There are no PWM pulses until the internal soft-start voltage rises above the error amplifier input (FBx pin), if the output is pre-biased. Once the soft-start voltage exceeds the error amplifier input, the device slowly initiates synchronous rectification by starting the synchronous rectifier with a narrow on-time. It then increments that on-time on a cycle-by-cycle basis until it coincides with the time dictated by (1-D), where D is the duty cycle of the converter. This approach prevents the sinking of current from a pre-biased output, and ensures the output voltage start-up and ramp-to-regulation sequences are smooth and controlled.

---

### DESIGN NOTE

During the soft-start sequence, when the PWM pulse width is shorter than the minimum controllable on-time, which is generally caused by the PWM comparator and gate driver delays, pulse skipping may occur and the output might show larger ripple voltage.

---

## Undervoltage Lockout

The TPS40422 provides flexible user adjustment of the undervoltage lockout threshold and the hysteresis. Two PMBus commands VIN\_ON and VIN\_OFF allow the user to set these input voltage turn on and turn off thresholds independently, with a minimum of 4-V turn off to a maximum 16-V turn on. See the command descriptions for more details.

## Overvoltage and Undervoltage Fault Protection

The TPS40422 has output overvoltage protection and undervoltage protection capability. The comparators that regulate the overvoltage and undervoltage conditions use the FBx pin as the output sensing point so the filtering effect of the compensation network connected from COMPx to FBx has an effect on the speed of detection. As the output voltage rises or falls below the nominal value, the error amplifier attempts to force FBx to match its reference voltage. When the error amplifier is no longer able to do this, the FB pin begins to drift and trip the overvoltage threshold ( $V_{OVP}$ ) or the undervoltage threshold ( $V_{UVP}$ ).

When an undervoltage fault is detected, the device enters hiccup mode and resumes normal operation when the fault is cleared.

When an overvoltage fault is detected, the device turns off the high-side MOSFET and latches on the low-side MOSFET to discharge the output current to the regulation level (within the power good window)

When operating in dual-channel mode, both channels have identical but independent protection schemes which means one channel would not be affected when the other channel is in fault mode.

When operating in two-phase mode, only the FB1 pin is detected for overvoltage and undervoltage fault. Therefore both channels take action together during a fault.

## Power Good

The TPS40422 has user selectable power good thresholds. These thresholds determine at what voltage the PGOOD pin is allowed to go high and the associated PMBus flags are cleared. There are three possible settings that can be had. See the `POWER_GOOD_ON` and `POWER_GOOD_OFF` command descriptions for complete details. Note that these commands establish symmetrical values above and below the nominal voltage. Values entered for each threshold should be the voltages corresponding to the threshold below the nominal output voltage. For instance, if the nominal output voltage is 3.3 V, and the desired power good on thresholds are  $\pm 5\%$ , the `POWER_GOOD_ON` command is issued with 2.85 V as the desired threshold. The `POWER_GOOD_OFF` command must be set to a lower value (higher percentage) than the `POWER_GOOD_ON` command as well. The `VOUT_SCALE_LOOP` command must be set to approximately 0.1818 for these examples to work correctly.

The FB pin is used to sense the output voltage for the purposes of power good detection. Because of this there is the inherent filtering action provided by the compensation network connected from COMP to FB. As the output voltage rises or falls below the nominal value, the error amplifier attempts to force FB to match its reference voltage. When the error amplifier is no longer able to do this, the FB pin begins to drift and trip the power good threshold. For this reason the network from COMP to FB should have no purely resistive path.

Power good de-asserts during all startups, after any fault condition is detected or whenever the device is turned off or in a disabled state (`OPERATION` command or CNTLx pins put the device into a disabled or off state). The PGOOD pin acts like a diode to GND when the device has no power applied to the VDD pin.

## Overtemperature Fault Protection

The TPS40422 provides programmable overtemperature fault and warning thresholds using measurements from the external temperature sensors connected on the TSNSx pins for each rail. More information can be found in the [OT\\_FAULT\\_LIMIT \(4Fh\)](#) and [OT\\_WARN\\_LIMIT \(51h\)](#) command descriptions.

## Thermal Shutdown

If the junction temperature of the device reaches the thermal shutdown limit of 150°C, the PWMs and the oscillators are turned off and HDRVs and LDRVs are driven low. When the junction cools to the required level (130°C typical), the PWM initiates soft start as during a normal power-up cycle.

## Programmable Fault Responses

The overcurrent and output undervoltage response can be programmed using the `IOUT_OC_FAULT_RESPONSE` command. More information can be found in the [IOUT\\_OC\\_FAULT\\_RESPONSE \(47h\)](#) command description.

## User Data and Adjustable Anti-Cross Conduction Delay

The TPS40422 provides a command, MFR\_SPECIFIC\_00, which can be used as a scratchpad to store 14 bits of arbitrary data. These bits can represent anything that the user desires and can be stored in EEPROM for non-volatility. Bit 0 of this command is used to select between two dead time settings for the controller. The particular setting required for a given application depends upon several things, including total FET gate charge, FET gate resistance, PCB layout quality, temperature, etc. It is not possible to give a hard and fast rule as to when to use which setting, but generally, for FETs above 25 nC gate charge, the longer dead time setting should be looked at. The shorter dead time setting allows higher efficiency in applications where the FETs are generally small and switch very quickly, while may lead to minimum amounts of cross conduction in applications with larger, slower switching FETs. Conversely, using the longer dead time setting with smaller, faster switching FETs leads to excessive body diode conduction in the low-side FET, leading to a drop in converter efficiency.

### CAUTION

Bit 1 of this command permanently locks certain parameters from being changed when set to 1. For more detail, see the MFR\_SPECIFIC\_00 command description.



## SUPPORTED COMMANDS

The TPS40422 supports the following commands from the PMBus 1.1 specification.

### PAGE (00h)

The PAGE command provides the ability to configure, control, and monitor through only one physical address both channels (outputs) of the TPS40422.

| Command       | PAGE            |   |   |   |   |   |   |     |
|---------------|-----------------|---|---|---|---|---|---|-----|
| Format        | Unsigned binary |   |   |   |   |   |   |     |
| Bit Position  | 7               | 6 | 5 | 4 | 3 | 2 | 1 | 0   |
| Access        | r/w             | r | r | r | r | r | r | r/w |
| Function      | PA              | X | X | X | X | X | X | P0  |
| Default Value | 0               | X | X | X | X | X | X | 0   |

**Table 2. PAGE Command Truth Table**

| PA | P0 | LOGIC RESULTS                                    |
|----|----|--|
| 0  | 0  | All commands address the first channel           |
| 0  | 1  | All commands address the second channel          |
| 1  | 0  | Illegal input. Ignore this write, take no action |
| 1  | 1  | All commands address both channels               |

If PAGE=11, then any read commands affect the first channel. Any value written to read-only registers is ignored.

### OPERATION (01h)

OPERATION is a paged register. The OPERATION command is used to turn the device output on or off in conjunction with input from the CNTLx pins. It is also used to set the output voltage to the upper or lower MARGIN voltages. The unit stays in the commanded operating mode until a subsequent OPERATION command or a change in the state of the CNTLx pins instructs the device to change to another mode.

| Command       | OPERATION       |   |        |     |     |     |   |   |
|---------------|-----------------|---|--------|-----|-----|-----|---|---|
| Format        | Unsigned binary |   |        |     |     |     |   |   |
| Bit Position  | 7               | 6 | 5      | 4   | 3   | 2   | 1 | 0 |
| Access        | r/w             | r | r/w    | r/w | r/w | r/w | r | r |
| Function      | ON              | X | Margin |     |     |     | X | X |
| Default Value | 0               | 0 | 0      | 0   | 0   | 0   | X | X |

#### On

This bit is an enable command to the converter.

- 0: output switching is disabled. Both drivers placed in an off or low state.
- 1: output switching is enabled. The device is allowed to begin power conversion assuming no fault conditions exist.

### Margin

If Margin Low is enabled, load the value from the VOUT\_MARGIN\_LOW command. If Margin High is enabled, load the value from the VOUT\_MARGIN\_HIGH command. (See PMBus specification for more information)

- 00XX: Margin Off
- 0101: Margin Low (Act on Fault)
- 0110: Margin Low (Act on Fault)
- 1001: Margin High (Act on Fault)
- 1010: Margin High (Act on Fault)

### ON\_OFF\_CONFIG (02h)

ON\_OFF\_CONFIG is a paged register. The ON\_OFF\_CONFIG command configures the combination of CNTLx pins input and serial bus commands needed to turn the unit on and off. The contents of this register can be stored to non-volatile memory using the STORE\_USER\_ALL command.

| Command       | ON_OFF_CONFIG   |   |   |     |     |     |     |     |
|---------------|-----------------|---|---|-----|-----|-----|-----|-----|
| Format        | Unsigned binary |   |   |     |     |     |     |     |
| Bit Position  | 7               | 6 | 5 | 4   | 3   | 2   | 1   | 0   |
| Access        | r               | r | r | r/w | r/w | r/w | r/w | r   |
| Function      | X               | X | X | pu  | cmd | cpr | pol | cpa |
| Default Value | X               | X | X | 1   | 0   | 1   | 1   | 0   |

#### pu

The pu bit sets the default to either operate any time power is present or for the on/off to be controlled by CNTLx pins and PMBus OPERATION command. This bit is used in conjunction with the 'cp', 'cmd', and 'on' bits to determine start up.

| Bit Value | ACTION   |
|-----------|--|
| 0         | Channel powers up any time power is present regardless of state of the CNTLx pins.   |
| 1         | Channel does not power up until commanded by the CNTLx pins and OPERATION command as programmed in bits [2:0] of the ON_OFF_CONFIG register. |

#### cmd

The cmd bit controls how the device responds to the OPERATION command.

| Bit Value | ACTION   |
|-----------|--|
| 0         | Channel ignores the "on" bit in the OPERATION command.     |
| 1         | Channel responds to the "on" bit in the OPERATION command. |

#### cpr

The cpr bit sets the CNTLx pins response. This bit is used in conjunction with the 'cmd', 'pu', and 'on' bits to determine start up.

| Bit Value | ACTION  |
|-----------|---|
| 0         | Channel ignores the CNTLx pins. On/off is controlled only by the OPERATION command. |
| 1         | Channel requires the CNTLx pins to be asserted to start the unit.                   |

#### pol

The pol bit controls the polarity of the CNTLx pins. For a change to become effective, the contents of the ON\_OFF\_CONFIG register must be stored to non-volatile memory using the STORE\_USER\_ALL command and the device power cycled. Simply writing a new value to this bit does not change the polarity of the CNTLx pins.

| Bit Value | ACTION                     |
|-----------|----------------------------|
| 0         | CNTLx pins is active low.  |
| 1         | CNTLx pins is active high. |

**cpa**

The cpa bit sets the CNTLx pins action when turning the controller off. This bit is read internally and cannot be modified by the user.

| Bit Value | ACTION  |
|-----------|---|
| 0         | Turn off the output using the programmed delay. |

**CLEAR\_FAULTS (03h)**

The CLEAR\_FAULTS command is used to clear any fault bits that have been set. This command clears all bits in all status registers in the selected page simultaneously. At the same time, the device negates (clears, releases) its SMBALERT signal output if the device is asserting the SMBALERT signal. The CLEAR\_FAULTS command does not cause a unit that has latched off for a fault condition to restart. If the fault is still present when the bit is cleared, the fault bit is immediately reset and the host notified by the usual means.

**WRITE\_PROTECT (10h)**

The WRITE\_PROTECT command is used to control writing to the PMBus device. The intent of this command is to provide protection against accidental changes. This command is not intended to provide protection against deliberate or malicious changes to the device configuration or operation. All supported command parameters may have their parameters read, regardless of the WRITE\_PROTECT settings. The contents of this register can be stored to non-volatile memory using the STORE\_USER\_ALL command.

| Command       | WRITE_PROTECT   |      |      |   |   |   |   |   |
|---------------|-----------------|------|------|---|---|---|---|---|
| Format        | Unsigned binary |      |      |   |   |   |   |   |
| Bit Position  | 7               | 6    | 5    | 4 | 3 | 2 | 1 | 0 |
| Access        | r/w             | r/w  | r/w  | X | X | X | X | X |
| Function      | bit7            | bit6 | bit5 | X | X | X | X | X |
| Default Value | 0               | 0    | 0    | X | X | X | X | X |

**bit5**

| Bit Value | ACTION   |
|-----------|--|
| 0         | Enable all writes as permitted in bit6 or bit7   |
| 1         | Disable all writes except the WRITE_PROTECT, PAGE, OPERATION and ON_OFF_CONFIG. (bit6 and bit7 must be 0 to be valid data) |

**bit6**

| Bit Value | ACTION   |
|-----------|--|
| 0         | Enable all writes as permitted in bit5 or bit7   |
| 1         | Disable all writes except for the WRITE_PROTECT, PAGE and OPERATION commands. (bit5 and bit7 must be 0 to be valid data) |

**bit7**

| Bit Value | ACTION  |
|-----------|---|
| 0         | Enable all writes as permitted in bit5 or bit6  |
| 1         | Disable all writes except for the WRITE_PROTECT command. (bit5 and bit6 must be 0 to be valid data) |

## TPS40422

SLUSAQ4A – OCTOBER 2011 – REVISED DECEMBER 2011

[www.ti.com](http://www.ti.com)

In any case, only one of the three bits may be set at any one time. Attempting to set more than one bit results in an alert being generated and the cml bit is STATUS\_WORD being set.

### STORE\_USER\_ALL (15h)

The STORE\_USER\_ALL command stores all of the current storable register settings in the EEPROM memory as the new defaults on power up.

It is permissible to use this command while the device is switching. Note however that the device continues to switch but ignores all fault conditions until the internal store process has completed.

EEPROM programming faults cause the device to NACK and set the 'cml' bit in the STATUS\_BYTE and the 'oth' bit in the STATUS\_CML registers.

### RESTORE\_USER\_ALL (16h)

The RESTORE\_USER\_ALL command restores all of the storable register settings from EEPROM memory.

This command should not be used while the device is actively switching. If this is done, the device stops switching the output drivers and the output voltage drops. Depending on loading conditions, the output voltage could reach an undervoltage level and trigger an undervoltage fault response if programmed to do so. The command can be used while the device is switching, but it is not recommended as it results in a restart that could disrupt power sequencing requirements in more complex systems. It is strongly recommended that the device be stopped before issuing this command.

### CAPABILITY (19h)

The CAPABILITY command provides a way for a host system to determine some key capabilities of this PMBus device.

| Command       | CAPABILITY      |     |   |      |          |   |   |   |
|---------------|-----------------|-----|---|------|----------|---|---|---|
| Format        | Unsigned binary |     |   |      |          |   |   |   |
| Bit Position  | 7               | 6   | 5 | 4    | 3        | 2 | 1 | 0 |
| Access        | r               | r   | r | r    | r        | r | r | r |
| Function      | PEC             | SPD |   | ALRT | Reserved |   |   |   |
| Default Value | 1               | 0   | 1 | 1    | 0        | 0 | 0 | 0 |

The default values indicate that the TPS40422 supports Packet Error Checking (PEC), a maximum bus speed of 400 kHz (SPD) and the SMBus Alert Response Protocol using a SMBALERT pin (ALRT).

### VOUT\_MODE (20h)

The PMBus specification dictates that the data word for the VOUT\_MODE command is one byte that consists of a 3-bit mode and 5-bit exponent parameter, as shown below. The 3-bit mode sets whether the device uses the Linear or Direct modes for output voltage related commands. The 5-bit parameter sets the exponent value for the linear data mode. The mode and exponent parameters are set and do not permit the user to change the values.

| Command       | VOUT_MODE |   |   |   |          |   |   |   |
|---------------|-----------|---|---|---|----------|---|---|---|
| Bit Position  | 7         | 6 | 5 | 4 | 3        | 2 | 1 | 0 |
| Access        | r         | r | r | r | r        | r | r | r |
| Function      | Mode      |   |   |   | Exponent |   |   |   |
| Default Value | 0         | 0 | 0 | 1 | 1        | 1 | 1 | 1 |

#### Mode:

Value fixed at 000, linear mode.

#### Exponent

Value fixed at 10111, Exponent for Linear mode values is –9.

### VIN\_ON (35h)

The VIN\_ON command sets the value of the input voltage at which the unit should start operation assuming all other required startup conditions are met. Values are mapped to the nearest supported increment. Values outside the supported range are treated as invalid data and cause the device set the CML bit in the STATUS\_BYTE and the invalid data (ivd) bit in the STATUS\_CML registers. The value of VIN\_ON remains unchanged on an out-of-range write attempt. The contents of this register can be stored to non-volatile memory using the STORE\_USER\_ALL command.

The supported VIN\_ON values are:

|                       |      |      |      |      |
|-----------------------|------|------|------|------|
| <b>4.25 (default)</b> | 4.5  | 4.75 | 5    | 5.25 |
| 5.5                   | 5.75 | 6    | 6.25 | 6.5  |
| 6.75                  | 7    | 7.25 | 7.5  | 8    |
| 8.25                  | 8.5  | 8.75 | 9    | 9.25 |
| 9.5                   | 10   | 10.5 | 11   | 11.5 |
| 12                    | 12.5 | 13   | 14   | 15   |
| 16                    |      |      |      |      |

VIN\_ON must be set higher than VIN\_OFF. Attempting to write either VIN\_ON lower than VIN\_OFF or VIN\_OFF higher than VIN\_ON results in the new value being rejected, SMBALERT being asserted along with the CML bit in STATUS\_BYTE and the invalid data bit in STATUS\_CML.

The data word that accompanies this command is divided into a fixed 5-bit exponent and an 11-bit mantissa. The four most significant bits of the mantissa are fixed, while the lower 7 bits may be altered.

| Command       | VIN_ON                          |   |   |   |   |          |   |   |   |     |     |     |     |     |     |     |   |
|---------------|---------------------------------|---|---|---|---|----------|---|---|---|-----|-----|-----|-----|-----|-----|-----|---|
| Format        | Linear, two's complement binary |   |   |   |   |          |   |   |   |     |     |     |     |     |     |     |   |
| Bit Position  | 7                               | 6 | 5 | 4 | 3 | 2        | 1 | 0 | 7 | 6   | 5   | 4   | 3   | 2   | 1   | 0   |   |
| Access        | r                               | r | r | r | r | r        | r | r | r | r/w | r/w | r/w | r/w | r/w | r/w | r/w |   |
| Function      | Exponent                        |   |   |   |   | Mantissa |   |   |   |     |     |     |     |     |     |     |   |
| Default Value | 1                               | 1 | 1 | 1 | 0 | 0        | 0 | 0 | 0 | 0   | 0   | 0   | 1   | 0   | 0   | 0   | 1 |

#### Exponent

–2 (dec), fixed.

#### Mantissa

The upper four bits are fixed at 0.

The lower seven bits are programmable with a default value of 9 (dec). This corresponds to a default of 4.25 V.

## TPS40422

SLUSAQ4A – OCTOBER 2011 – REVISED DECEMBER 2011

[www.ti.com](http://www.ti.com)

### VIN\_OFF (36h)

The VIN\_OFF command sets the value of the input voltage at which the unit should stop operation. Values are mapped to the nearest supported increment. Values outside the supported range is treated as invalid data and causes the device to set the CML bit in the STATUS\_BYTE and the invalid data (ivd) bit in the STATUS\_CML registers. The value of VIN\_OFF remains unchanged during an out-of-range write attempt. The contents of this register can be stored to non-volatile memory using the STORE\_USER\_ALL command.

The supported VIN\_OFF values are:

|                    |      |       |       |       |
|--------------------|------|-------|-------|-------|
| <b>4 (default)</b> | 4.25 | 4.5   | 4.75  | 5     |
| 5.25               | 5.5  | 5.75  | 6     | 6.25  |
| 6.5                | 6.75 | 7     | 7.25  | 7.5   |
| 8                  | 8.25 | 8.5   | 8.75  | 9     |
| 9.25               | 9.75 | 10.25 | 10.75 | 11.25 |
| 11.75              | 12   | 13.75 | 14.75 | 15.75 |

VIN\_ON must be set higher than VIN\_OFF. Attempting to write either VIN\_ON lower than VIN\_OFF or VIN\_OFF higher than VIN\_ON results in the new value being rejected, SMBALERT being asserted along with the CML bit in STATUS\_BYTE and the invalid data bit in STATUS\_CML.

The data word that accompanies this command is divided into a fixed 5 bit exponent and an 11 bit mantissa. The 4 most significant bits of the mantissa are fixed, while the lower 7 bits may be altered.

| Command       | VIN_OFF                         |   |   |   |   |   |   |   |          |     |     |     |     |     |     |     |
|---------------|---------------------------------|---|---|---|---|---|---|---|----------|-----|-----|-----|-----|-----|-----|-----|
| Format        | Linear, two's complement binary |   |   |   |   |   |   |   |          |     |     |     |     |     |     |     |
| Bit Position  | 7                               | 6 | 5 | 4 | 3 | 2 | 1 | 0 | 7        | 6   | 5   | 4   | 3   | 2   | 1   | 0   |
| Access        | r                               | r | r | r | r | r | r | r | r        | r/w | r/w | r/w | r/w | r/w | r/w | r/w |
| Function      | Exponent                        |   |   |   |   |   |   |   | Mantissa |     |     |     |     |     |     |     |
| Default Value | 1                               | 1 | 1 | 1 | 0 | 0 | 0 | 0 | 0        | 0   | 0   | 0   | 1   | 0   | 0   | 0   |

#### Exponent

–2 (dec), fixed.

#### Mantissa

The upper four bits are fixed at 0.

The lower seven bits are programmable with a default value of 8 (dec). This corresponds to a default value of 4.0 V.

### IOUT\_CAL\_GAIN (38h)

IOUT\_CAL\_GAIN is a paged register. The IOUT\_CAL\_GAIN is the ratio of the voltage at the current sense element to the sensed current. The units are Ohms ( $\Omega$ ). The effective current sense element can be the DC resistance of the inductor or a separate current sense resistor. The default setting is 0.488 m $\Omega$ , and the resolution is 30.5  $\mu\Omega$ . The range is 0.244 m $\Omega$  to 15.5 m $\Omega$ . The contents of this register can be stored to non-volatile memory using the STORE\_USER\_ALL or STORE\_DEFAULT\_CODE commands.

| Command       | IOUT_CAL_GAIN                   |   |   |   |   |   |   |     |          |     |     |     |     |     |     |     |
|---------------|---------------------------------|---|---|---|---|---|---|-----|----------|-----|-----|-----|-----|-----|-----|-----|
| Format        | Linear, two's complement binary |   |   |   |   |   |   |     |          |     |     |     |     |     |     |     |
| Bit Position  | 7                               | 6 | 5 | 4 | 3 | 2 | 1 | 0   | 7        | 6   | 5   | 4   | 3   | 2   | 1   | 0   |
| Access        | r                               | r | r | r | r | r | r | r/w | r/w      | r/w | r/w | r/w | r/w | r/w | r/w | r/w |
| Function      | Exponent                        |   |   |   |   |   |   |     | Mantissa |     |     |     |     |     |     |     |
| Default Value | 1                               | 0 | 0 | 0 | 1 | 0 | 0 | 0   | 0        | 0   | 0   | 1   | 0   | 0   | 0   | 0   |

**Exponent**

–15 (dec), fixed.

**Mantissa**

The upper two bits are fixed at 0.

The lower nine bits are programmable with a default value of 16 (dec).

Depending on the value of IOUT\_CAL\_GAIN, the current sense amplifier used for current monitoring (but not overcurrent or current sharing) changes, as shown in [Table 3](#).

**Table 3. Current Sense Amplifier Settings**

| IOUT_CAL_GAIN (mΩ) RANGE |        | CSA GAIN (V/V) |
|--------------------------|--------|----------------|
| MIN                      | MAX    |                |
| 0.244                    | 0.5795 | 25             |
| 0.5796                   | 1.1285 | 15             |
| 1.1286                   | 15.5   | 10             |

**IOUT\_CAL\_OFFSET (39h)**

IOUT\_CAL\_OFFSET is a paged register. The IOUT\_CAL\_OFFSET is used to compensate for offset errors in the READ\_IOUT results and the IOUT\_OC\_FAULT\_LIMIT and IOUT\_OC\_WARN\_LIMIT thresholds. The units are amperes. The default setting is 0 A. The resolution of the argument for this command is 62.5 mA and the range is +3937.5 mA to -4000 mA. Values written outside of this range alias into the supported range. For example, 1110 0100 0000 0001 has an expected value of –63.9375 A, but results in 1110 0111 1111 0001 which is –3.9375 A. This occurs because the read-only bits are fixed. The exponent is always –4 and the 5 msb bits of the Mantissa are always equal to the sign bit. The contents of this register can be stored to non-volatile memory using the STORE\_USER\_ALL command.

| Command       | IOUT_CAL_OFFSET                 |   |   |   |   |     |   |   |          |   |     |     |     |     |     |     |
|---------------|---------------------------------|---|---|---|---|-----|---|---|----------|---|-----|-----|-----|-----|-----|-----|
| Format        | Linear, two's complement binary |   |   |   |   |     |   |   |          |   |     |     |     |     |     |     |
| Bit Position  | 7                               | 6 | 5 | 4 | 3 | 2   | 1 | 0 | 7        | 6 | 5   | 4   | 3   | 2   | 1   | 0   |
| Access        | r                               | r | r | r | r | r/w | r | r | r        | r | r/w | r/w | r/w | r/w | r/w | r/w |
| Function      | Exponent                        |   |   |   |   |     |   |   | Mantissa |   |     |     |     |     |     |     |
| Default Value | 1                               | 1 | 1 | 0 | 0 | 0   | 0 | 0 | 0        | 0 | 0   | 0   | 0   | 0   | 0   | 0   |

**Exponent**

–4 (dec), fixed.

**Mantissa**

MSB is programmable with sign, next 4 bits are sign extend only.

Lower six bits are programmable with a default value of 0 (dec).

## TPS40422

SLUSAQ4A – OCTOBER 2011 – REVISED DECEMBER 2011

[www.ti.com](http://www.ti.com)

### IOUT\_OC\_FAULT\_LIMIT (46h)

IOUT\_OC\_FAULT\_LIMIT is a paged register. The IOUT\_OC\_FAULT\_LIMIT command sets the value of the output current, in amperes, that causes the overcurrent detector to indicate an overcurrent fault condition. The IOUT\_OC\_FAULT\_LIMIT should be set equal to or greater than the IOUT\_OC\_WARN\_LIMIT. Writing a value to IOUT\_OC\_FAULT\_LIMIT less than IOUT\_OC\_WARN\_LIMIT causes the device to set the CML bit in the STATUS\_BYTE and the invalid data (ivd) bit in the STATUS\_CML registers as well as assert the  $\overline{\text{SMBALRT}}$  signal. The contents of this register can be stored to non-volatile memory using the STORE\_USER\_ALL command.

The IOUT\_OC\_FAULT\_LIMIT takes a two-byte data word formatted as shown below:

| Command       | IOUT_OC_FAULT_LIMIT             |   |   |   |   |   |   |   |          |     |     |     |     |     |     |     |
|---------------|---------------------------------|---|---|---|---|---|---|---|----------|-----|-----|-----|-----|-----|-----|-----|
| Format        | Linear, two's complement binary |   |   |   |   |   |   |   |          |     |     |     |     |     |     |     |
| Bit Position  | 7                               | 6 | 5 | 4 | 3 | 2 | 1 | 0 | 7        | 6   | 5   | 4   | 3   | 2   | 1   | 0   |
| Access        | r                               | r | r | r | r | r | r | r | r        | r/w | r/w | r/w | r/w | r/w | r/w | r/w |
| Function      | Exponent                        |   |   |   |   |   |   |   | Mantissa |     |     |     |     |     |     |     |
| Default Value | 1                               | 1 | 1 | 1 | 1 | 0 | 0 | 0 | 0        | 0   | 1   | 1   | 1   | 1   | 0   | 0   |

#### Exponent

–1 (dec), fixed.

#### Mantissa

The upper four bits are fixed at 0.

The lower seven bits are programmable with a default value of 60 (dec).

The actual output current for a given mantissa and exponent is shown in [Equation 12](#).

$$I_{\text{OUT(oc)}} = \text{Mantissa} \times 2^{\text{Exponent}} = \frac{\text{Mantissa}}{2} \quad (12)$$

The default output fault current setting is 30 A. Values of  $I_{\text{OUT(oc)}}$  can range between 3 A and 50 A in 500-mA increments.

### IOUT\_OC\_FAULT\_RESPONSE (47h)

IOUT\_OC\_FAULT\_RESPONSE is a paged register. The IOUT\_OC\_FAULT\_RESPONSE command instructs the device on what action to take in response to an IOUT\_OC\_FAULT\_LIMIT or a VOUT undervoltage (UV) fault. The device also:

- Sets the IOUT\_OC bit in the STATUS\_BYTE
- Sets the IOUT/POUT bit in the STATUS\_WORD
- Sets the IOUT OC Fault bit in the STATUS\_IOUT register
- Notifies the host by asserting  $\overline{\text{SMBALERT}}$

The contents of this register can be stored to non-volatile memory using the STORE\_USER command.

| Command       | IOUT_OC_FAULT_RESPONSE |   |       |       |       |   |   |   |
|---------------|------------------------|---|-------|-------|-------|---|---|---|
| Format        | Unsigned binary        |   |       |       |       |   |   |   |
| Bit Position  | 7                      | 6 | 5     | 4     | 3     | 2 | 1 | 0 |
| Access        | r                      | r | r/w   | r/w   | r/w   | r | r | r |
| Function      | X                      | X | RS[2] | RS[1] | RS[0] | X | X | X |
| Default Value | 0                      | 0 | 1     | 1     | 1     | 1 | 0 | 0 |



**RS[2:0]**

- 000: A zero value for the Retry Setting means that the unit does not attempt to restart. The output remains disabled until the fault is cleared (See section 10.7 of the PMBus spec.)
- 111: A one value for the Retry Setting means that the unit goes through a normal startup (Soft start) continuously, without limitation, until it is commanded off or bias power is removed or another fault condition causes the unit to shutdown.

Any value other than 000 or 111 is not accepted. Attempting to write any other value is rejected, causing the TPS404022 to assert  $\overline{\text{SMBALERT}}$  along with the CML bit in STATUS\_BYTE and the invalid data bit in STATUS\_CML.

**IOUT\_OC\_WARN\_LIMIT (4Ah)**

IOUT\_OC\_WARN\_LIMIT is a paged register. The IOUT\_OC\_WARN\_LIMIT command sets the value of the output current, in amperes, that causes the over-current detector to indicate an over-current warning. When this current level is exceeded the device:

- Sets the OTHER bit in the STATUS\_BYTE
- Sets the IOUT/POUT bit in the STATUS\_WORD
- Sets the IOUT overcurrent Warning (OCW) bit in the STATUS\_IOUT register, and
- Notifies the host by asserting  $\overline{\text{SMBALRT}}$

The IOUT\_OC\_WARN\_LIMIT threshold should always be set to less than or equal to the IOUT\_OC\_FAULT\_LIMIT. Writing a value to IOUT\_OC\_WARN\_LIMIT greater than IOUT\_OC\_FAULT\_LIMIT causes the device to set the CML bit in the STATUS\_BYTE and the invalid data (ivd) bit in the STATUS\_CML registers as well as assert the  $\overline{\text{SMBALRT}}$  signal. The contents of this register can be stored to non-volatile memory using the STORE\_USER\_ALL command.

The IOUT\_OC\_WARN\_LIMIT takes a two byte data word formatted as shown below:

| Command       | IOUT_OC_WARN_LIMIT              |   |   |   |   |   |   |   |          |     |     |     |     |     |     |     |
|---------------|---------------------------------|---|---|---|---|---|---|---|----------|-----|-----|-----|-----|-----|-----|-----|
| Format        | Linear, two's complement binary |   |   |   |   |   |   |   |          |     |     |     |     |     |     |     |
| Bit Position  | 7                               | 6 | 5 | 4 | 3 | 2 | 1 | 0 | 7        | 6   | 5   | 4   | 3   | 2   | 1   | 0   |
| Access        | r                               | r | r | r | r | r | r | r | r        | r/w | r/w | r/w | r/w | r/w | r/w | r/w |
| Function      | Exponent                        |   |   |   |   |   |   |   | Mantissa |     |     |     |     |     |     |     |
| Default Value | 1                               | 1 | 1 | 1 | 1 | 0 | 0 | 0 | 0        | 0   | 1   | 1   | 0   | 1   | 1   | 0   |

**Exponent**

–1 (dec), fixed.

**Mantissa**

The upper four bits are fixed at 0.

Lower seven bits are programmable with a default value of 54 (dec).

The actual output warning current level for a given mantissa and exponent is:

$$I_{\text{OUT(OCW)}} = \text{Mantissa} \times 2^{\text{Exponent}} \frac{\text{Mantissa}}{2} \quad (13)$$

The default output warning current setting is 27 A. Values of  $I_{\text{OUT(OCW)}}$  can range from 2 A to 49 A in 500-mA increments.

### OT\_FAULT\_LIMIT (4Fh)

OT\_FAULT\_LIMIT is a paged register. The OT\_FAULT\_LIMIT command sets the value of the temperature, in degrees Celsius, that causes an over-temperature fault condition, when the sensed temperature from the external sensor exceeds this limit. Upon triggering the over-temperature fault, the following actions are taken:

- Sets the TEMPERATURE bit in the STATUS\_BYTE
- Sets the OT Fault bit in the STATUS\_TEMPERATURE
- Notifies the host by asserting  $\overline{\text{SMBALERT}}$

Once the over-temperature fault is tripped, the output is latched off until the external sensed temperature falls 20°C from the OT\_FAULT\_LIMIT, at which point the output goes through a normal startup (soft-start).

The OT\_FAULT\_LIMIT must always be greater than the OT\_WARN\_LIMIT. Writing a value to OT\_FAULT\_LIMIT less than or equal to OT\_WARN\_LIMIT causes the device to set the CML bit in the STATUS\_BYTE and the invalid data (ivd) bit in the STATUS\_CML registers as well as asserts the  $\overline{\text{SMBALERT}}$  signal. The contents of this register can be stored to non-volatile memory using the STORE\_USER\_ALL command.

The OT\_FAULT\_LIMIT takes a two byte data word formatted as shown below.

| Command       | OT_FAULT_LIMIT  |   |   |   |   |   |   |   |          |     |     |     |     |     |     |     |
|---------------|-----------------|---|---|---|---|---|---|---|----------|-----|-----|-----|-----|-----|-----|-----|
| Format        | Unsigned binary |   |   |   |   |   |   |   |          |     |     |     |     |     |     |     |
| Bit Position  | 7               | 6 | 5 | 4 | 3 | 2 | 1 | 0 | 7        | 6   | 5   | 4   | 3   | 2   | 1   | 0   |
| Access        | r               | r | r | r | r | r | r | r | r/w      | r/w | r/w | r/w | r/w | r/w | r/w | r/w |
| Function      | Exponent        |   |   |   |   |   |   |   | Mantissa |     |     |     |     |     |     |     |
| Default Value | 0               | 0 | 0 | 0 | 0 | 0 | 0 | 0 | 0        | 1   | 1   | 0   | 0   | 1   | 0   | 0   |

#### Exponent

0 (dec), fixed.

#### Mantissa

The upper three bits are fixed at 0.

Lower eight bits are programmable with a default value of 145 (dec).

The default over-temperature fault setting is 145°C. Values can range from 120°C to 165°C in 1°C increments.

### OT\_WARN\_LIMIT (51h)

OT\_WARN\_LIMIT is a paged register. The OT\_WARN\_LIMIT command sets the value of the temperature, in degrees Celsius, that causes an over-temperature warning condition, when the sensed temperature from the external sensor exceeds this limit. Upon triggering the over-temperature warning, the following actions are taken:

- Sets the TEMPERATURE bit in the STATUS\_BYTE
- Sets the OT Warning bit in the STATUS\_TEMPERATURE
- Notifies the host by asserting  $\overline{\text{SMBALERT}}$

Once the over-temperature warning is tripped, warning is latched until the external sensed temperature falls 20°C from the OT\_WARN\_LIMIT.

The OT\_WARN\_LIMIT must always be less than the OT\_FAULT\_LIMIT. Writing a value to OT\_WARN\_LIMIT greater than or equal to OT\_FAULT\_LIMIT causes the device to set the CML bit in the STATUS\_BYTE and the invalid data (ivd) bit in the STATUS\_CML registers as well as assert the  $\overline{\text{SMBALERT}}$  signal. The contents of this register can be stored to non-volatile memory using the STORE\_USER\_ALL command.

The OT\_WARN\_LIMIT takes a two byte data word formatted as shown below:

| Command       | OT_WARN_LIMIT   |   |   |   |   |   |   |   |          |     |     |     |     |     |     |     |
|---------------|-----------------|---|---|---|---|---|---|---|----------|-----|-----|-----|-----|-----|-----|-----|
| Format        | Unsigned binary |   |   |   |   |   |   |   |          |     |     |     |     |     |     |     |
| Bit Position  | 7               | 6 | 5 | 4 | 3 | 2 | 1 | 0 | 7        | 6   | 5   | 4   | 3   | 2   | 1   | 0   |
| Access        | r               | r | r | r | r | r | r | r | r/w      | r/w | r/w | r/w | r/w | r/w | r/w | r/w |
| Function      | Exponent        |   |   |   |   |   |   |   | Mantissa |     |     |     |     |     |     |     |
| Default Value | 0               | 0 | 0 | 0 | 0 | 0 | 0 | 0 | 0        | 1   | 1   | 1   | 1   | 1   | 0   | 1   |

### Exponent

0 (dec), fixed.

### Mantissa

The upper three bits are fixed at 0.

Lower eight bits are programmable with a default value of 125 (dec).

The default over-temperature fault setting is 125°C. Values can range from 100°C to 140°C in 1°C increments.

### TON\_RISE (61h)

TON\_RISE is a paged register. The TON\_RISE command sets the time in ms, from when the output starts to rise until the voltage has entered the regulation band. It also determines the rate of the transition of the reference voltage (either due to VREF\_TRIM or STEP\_VREF\_MARGIN\_x commands) when this transition is executed during the soft-start period. There are several discrete settings that this command supports. Commanding a value other than one of these values results in the nearest supported value being selected.

The supported TON\_RISE times over PMBus are:

- 600 µs
- 900 µs
- 1.2 ms
- 1.8 ms
- **2.7 ms (default value)**
- 4.2 ms
- 6.0 ms
- 9.0 ms

A value of 0 ms instructs the unit to bring its output voltage to the programmed regulation value as quickly as possible. The contents of this register can be stored to non-volatile memory using the STORE\_USER\_ALL command.

The TON\_RISE command is formatted as a linear mode two's complement binary integer.

| Command       | TON_RISE                        |   |   |   |   |   |   |   |          |     |     |     |     |     |     |     |
|---------------|---------------------------------|---|---|---|---|---|---|---|----------|-----|-----|-----|-----|-----|-----|-----|
| Format        | Linear, two's complement binary |   |   |   |   |   |   |   |          |     |     |     |     |     |     |     |
| Bit Position  | 7                               | 6 | 5 | 4 | 3 | 2 | 1 | 0 | 7        | 6   | 5   | 4   | 3   | 2   | 1   | 0   |
| Access        | r                               | r | r | r | r | r | r | r | r/w      | r/w | r/w | r/w | r/w | r/w | r/w | r/w |
| Function      | Exponent                        |   |   |   |   |   |   |   | Mantissa |     |     |     |     |     |     |     |
| Default Value | 1                               | 1 | 1 | 0 | 0 | 0 | 0 | 0 | 0        | 0   | 1   | 0   | 1   | 0   | 1   | 1   |

### Exponent

−4 (dec), fixed.

### Mantissa

The upper two bits are fixed at 0.

The lower eight bits are programmable with a default value of 43 (dec).

## TPS40422

SLUSAQ4A –OCTOBER 2011 –REVISED DECEMBER 2011

[www.ti.com](http://www.ti.com)

### STATUS\_BYTE (78h)

STATUS\_BYTE is a paged register. The STATUS\_BYTE command returns one byte of information with a summary of the most critical device faults. Three fault bits are flagged in this particular command: output overvoltage, output overcurrent, and over-temperature. The STATUS\_BYTE reports communication faults in the CML bit. Other communication faults set the NONE OF THE ABOVE bit.

| Command       | STATUS_BYTE     |     |         |         |        |             |     |                   |
|---------------|-----------------|-----|---------|---------|--------|-------------|-----|-------------------|
| Format        | Unsigned binary |     |         |         |        |             |     |                   |
| Bit Position  | 7               | 6   | 5       | 4       | 3      | 2           | 1   | 0                 |
| Access        | r               | r   | r       | r       | r      | r           | r   | r                 |
| Function      | X               | OFF | VOUT_OV | IOUT_OC | VIN_UV | TEMPERATURE | CML | NONE OF THE ABOVE |
| Default Value | 0               | 0   | 0       | 0       | 0      | 0           | 0   | 0                 |

A "1" in any of these bit positions indicates that:

#### OFF:

The device is not providing power to the output, regardless of the reason. In TPS40422, this flag means that the converter is not enabled.

#### VOUT\_OV:

An output overvoltage fault has occurred.

#### IOUT\_OC:

An output over current fault has occurred.

#### VIN\_UV:

An input undervoltage fault has occurred.

#### TEMPERATURE:

A temperature fault or warning has occurred.

#### CML:

A **C**ommunications, **M**emory or **L**ogic fault has occurred.

#### NONE OF THE ABOVE:

A fault or warning not listed in bit1 through bits 1-7 has occurred, for example an undervoltage condition or an over current warning condition

### STATUS\_WORD (79h)

STATUS\_WORD is a paged register. The STATUS\_WORD command returns two bytes of information with a summary of the device's fault/warning conditions. The low byte is identical to the STATUS\_BYTE above. The additional byte reports the warning conditions for output overvoltage and overcurrent, as well as the power good status of the converter.

| Command       | STATUS_WORD (low byte) |     |         |         |        |             |     |                   |
|---------------|------------------------|-----|---------|---------|--------|-------------|-----|-------------------|
| Format        | Unsigned binary        |     |         |         |        |             |     |                   |
| Bit Position  | 7                      | 6   | 5       | 4       | 3      | 2           | 1   | 0                 |
| Access        | r                      | r   | r       | r       | r      | r           | r   | r                 |
| Function      | X                      | OFF | VOUT_OV | IOUT_OC | VIN_UV | TEMPERATURE | CML | NONE OF THE ABOVE |
| Default Value | 0                      | x   | 0       | 0       | 0      | 0           | 0   | 0                 |

A "1" in any of the low byte (STATUS\_BYTE) bit positions indicates that:

**OFF:**

The device is not providing power to the output, regardless of the reason. In TPS40422, this flag means that the converter is not enabled.

**VOUT\_OV:**

An output overvoltage fault has occurred.

**IOUT\_OC:**

An output over current fault has occurred.

**VIN\_UV:**

An input undervoltage fault has occurred.

**TEMPERATURE:**

A temperature fault or warning has occurred.

**CML:**

A **C**ommunications, **M**emory or **L**ogic fault has occurred.

**NONE OF THE ABOVE:**

A fault or warning not listed in bits 1-7 has occurred

| Command       | STATUS_WORD (high byte) |           |   |     |                   |   |   |   |
|---------------|-------------------------|-----------|---|-----|-------------------|---|---|---|
|               | Unsigned binary         |           |   |     |                   |   |   |   |
| Bit Position  | 7                       | 6         | 5 | 4   | 3                 | 2 | 1 | 0 |
| Access        | r                       | r         | r | r   | r                 | r | r | r |
| Function      | VOUT                    | IOUT/POUT | X | MFR | <u>POWER_GOOD</u> | X | X | X |
| Default Value | 0                       | 0         | 0 | 0   | 0                 | 0 | 0 | 0 |

A "1" in any of the high byte bit positions indicates that:

**VOUT:**

An output voltage fault or warning has occurred

**IOUT/POUT:**

An output current warning or fault has occurred. The PMBus specification states that this also applies to output power. TPS40422 does not support output power warnings or faults.

**MFR:**

An internal thermal shutdown (TSD) fault has occurred in the device.

**POWER\_GOOD:**

The power good signal has not transitioned from high-to-low. This is not implemented in 2-phase operation.

**STATUS\_VOUT (7Ah)**

STATUS\_VOUT is a paged register. The STATUS\_VOUT command returns one byte of information relating to the status of the converter's output voltage related faults. The only bits of this register supported are:

- VOUT\_OV Fault
- VOUT\_UV Fault

| Command | STATUS_VOUT     |
|---------|-----------------|
| Format  | Unsigned binary |

# TPS40422

SLUSAQ4A – OCTOBER 2011 – REVISED DECEMBER 2011

[www.ti.com](http://www.ti.com)

| Command       | STATUS_VOUT   |   |   |               |   |   |   |   |
|---------------|---------------|---|---|---------------|---|---|---|---|
| Bit Position  | 7             | 6 | 5 | 4             | 3 | 2 | 1 | 0 |
| Access        | r             | r | r | r             | r | r | r | r |
| Function      | VOUT OV Fault | X | X | VOUT UV Fault | X | X | X | X |
| Default Value | 0             | 0 | 0 | 0             | 0 | 0 | 0 | 0 |

A "1" in any of these bit positions indicates that:

### VOUT OV Fault:

The device has seen the output voltage rise above the output overvoltage threshold.

### VOUT UV Fault:

The device has seen the output voltage fall below the output undervoltage threshold.

### STATUS\_IOUT (7Bh)

STATUS\_IOUT is a paged register. The STATUS\_IOUT command returns one byte of information relating to the status of the converter's output current related faults. The only bits of this register supported are .

- IOUT\_OC Fault
- IOUT\_OC Warning

| Command       | STATUS_IOUT     |   |                 |   |   |   |   |   |
|---------------|-----------------|---|-----------------|---|---|---|---|---|
| Format        | Unsigned binary |   |                 |   |   |   |   |   |
| Bit Position  | 7               | 6 | 5               | 4 | 3 | 2 | 1 | 0 |
| Access        | r               | r | r               | r | r | r | r | r |
| Function      | IOUT_OV Fault   | X | IOUT OC Warning | X | X | X | X | X |
| Default Value | 0               | 0 | 0               | 0 | 0 | 0 | 0 | 0 |

A "1" in any of these bit positions indicates that:

### IOUT\_OV Fault:

The device has seen the output current rise above the level set by IOUT\_OC\_FAULT\_LIMIT.

### IOUT UV Fault:

The device has seen the output current rise relating to the level set by IOUT\_OC\_WARN\_LIMIT.

### STATUS\_TEMPERATURE (7Dh)

STATUS\_TEMPERATURE is a paged register. The STATUS\_TEMPERATURE command returns one byte of information relating to the status of the external temperature related faults. The only bits of this register supported are:

- OT Fault
- OT Warning

| Command       | STATUS_TEMPERATURE |            |   |   |   |   |   |   |
|---------------|--------------------|------------|---|---|---|---|---|---|
| Format        | Unsigned binary    |            |   |   |   |   |   |   |
| Bit Position  | 7                  | 6          | 5 | 4 | 3 | 2 | 1 | 0 |
| Access        | r                  | r          | r | r | r | r | r | r |
| Function      | OT Fault           | OT Warning | X | X | X | X | X | X |
| Default Value | 0                  | 0          | 0 | 0 | 0 | 0 | 0 | 0 |

A "1" in any of these bit positions indicates that:

**OT Fault:**

The measured external temperature has exceeded the level set by OT\_FAULT\_LIMIT.

**OT Warning:**

The measured external temperature has exceeded the level set by OT\_WARN\_LIMIT.

**STATUS\_CML (7Eh)**

The STATUS\_CML command returns one byte of information relating to the status of the converter's communication related faults. The bits of this register supported by the TPS40422 are:

- Invalid/Unsupported Command
- Invalid/Unsupported Data
- Packet Error Check Failed
- Memory Fault Detected
- Other Communication Fault.

|

| Command       | STATUS_CML                         |                                 |                              |                          |   |   |                                 |   |
|---------------|------------------------------------|---------------------------------|------------------------------|--------------------------|---|---|---------------------------------|---|
| Format        | Unsigned binary                    |                                 |                              |                          |   |   |                                 |   |
| Bit Position  | 7                                  | 6                               | 5                            | 4                        | 3 | 2 | 1                               | 0 |
| Access        | r                                  | r                               | r                            | r                        | r | r | r                               | r |
| Function      | Invalid/<br>Unsupported<br>Command | Invalid/<br>Unsupported<br>Data | Packet Error<br>Check Failed | Memory Fault<br>Detected | X | X | Other<br>Communication<br>Fault | X |
| Default Value | 0                                  | 0                               | 0                            | 0                        | 0 | 0 | 0                               | 0 |

A "1" in any of these bit positions indicates that:

**Invalid/Unsupported Command:**

An invalid or unsupported command has been received.

**Invalid/Unsupported Data**

Invalid or unsupported data has been received

**Packet Error Check Failed**

A packet has failed the CRC error check.

**Memory Fault Detected**

A fault has been detected with the internal memory.

**Other Communication Fault**

Some other communication fault or error has occurred

## TPS40422

SLUSAQ4A – OCTOBER 2011 – REVISED DECEMBER 2011

[www.ti.com](http://www.ti.com)

### STATUS\_MFR\_SPECIFIC (80h)

The STATUS\_MFR\_SPECIFIC command returns one byte of information relating to the status of manufacturer-specific faults or warnings.

| Command       | STATUS_MFR_SPECIFIC |   |   |        |   |   |   |          |
|---------------|---------------------|---|---|--------|---|---|---|----------|
| Format        | Unsigned binary     |   |   |        |   |   |   |          |
| Bit Position  | 7                   | 6 | 5 | 4      | 3 | 2 | 1 | 0        |
| Access        | r                   | r | r | r      | r | r | r | r        |
| Function      | OTFI                | X | X | IVADDR | X | X | X | TWOPH_EN |
| Default Value | 0                   | 0 | 0 | 0      | 0 | 0 | 0 | 0        |

A "1" in any of these bit positions indicates that:

#### OTFI:

The internal temperature is above the thermal shutdown (TSD) fault threshold

#### IVADDR:

The PMBus address detection circuit is not resolving to a valid address. In this event, the device responds to the address 127 (dec).

#### TWOPH\_EN:

The part has detected that it is in two-phase mode (by pulling FB2 high). This bit does not trigger SMBALERT.

### READ\_VOUT (8Bh)

READ\_VOUT is a paged register. The READ\_VOUT commands returns two bytes of data in the linear data format that represent the output voltage of the controller. The output voltage is sensed at the remote sense amplifier output pin so voltage drop to the load is not accounted for. The data format is as shown below:

| Command       | READ_VOUT                       |   |   |   |   |   |   |   |   |   |   |   |   |   |   |   |
|---------------|---------------------------------|---|---|---|---|---|---|---|---|---|---|---|---|---|---|---|
| Format        | Linear, two's complement binary |   |   |   |   |   |   |   |   |   |   |   |   |   |   |   |
| Bit Position  | 7                               | 6 | 5 | 4 | 3 | 2 | 1 | 0 | 7 | 6 | 5 | 4 | 3 | 2 | 1 | 0 |
| Access        | r                               | r | r | r | r | r | r | r | r | r | r | r | r | r | r | r |
| Function      | Mantissa                        |   |   |   |   |   |   |   |   |   |   |   |   |   |   |   |
| Default Value | 0                               | 0 | 0 | 0 | 0 | 0 | 0 | 0 | 0 | 0 | 0 | 0 | 0 | 0 | 0 | 0 |

The setting of the VOUT\_MODE affects the results of this command as well. In the TPS40422, VOUT\_MODE is set to linear mode with an exponent of –9 and cannot be altered. The output voltage calculation is shown in [Equation 14](#).

$$V_{OUT} = \text{Mantissa} \times 2^{\text{Exponent}} \quad (14)$$



### READ\_IOUT (8Ch)

READ\_IOUT is a paged register. The READ\_IOUT commands returns two bytes of data in the linear data format that represent the output current of the controller. The output current is sensed across the CSxP and CSxN pins. The data format is as shown below:

| Command       | READ_IOUT                       |   |   |   |   |   |          |   |   |   |   |   |   |   |   |   |
|---------------|---------------------------------|---|---|---|---|---|----------|---|---|---|---|---|---|---|---|---|
| Format        | Linear, two's complement binary |   |   |   |   |   |          |   |   |   |   |   |   |   |   |   |
| Bit Position  | 7                               | 6 | 5 | 4 | 3 | 2 | 1        | 0 | 7 | 6 | 5 | 4 | 3 | 2 | 1 | 0 |
| Access        | r                               | r | r | r | r | r | r        | r | r | r | r | r | r | r | r | r |
| Function      | Exponent                        |   |   |   |   |   | Mantissa |   |   |   |   |   |   |   |   |   |
| Default Value | 1                               | 1 | 1 | 0 | 0 | 0 | 0        | 0 | 0 | 0 | 0 | 0 | 0 | 0 | 0 | 0 |

The output current is scaled before it reaches the internal analog to digital converter so that resolution of the output current read is 62.5 mA, though resolution may be less depending on the setting of IOUT\_CAL\_GAIN. The maximum value that can be reported is 64 A. It is mandatory that the IOUT\_CAL\_GAIN and IOUT\_CAL\_OFFSET parameters are set correctly in order to obtain accurate results. The output current can be found by using [Equation 15](#).

$$I_{OUT} = \text{Mantissa} \times 2^{\text{Exponent}} \quad (15)$$

#### Exponent

Fixed at -4..

#### Mantissa

The lower 10 bits are the result of the ADC conversion of the input voltage. The 11th bit is fixed at 0 because only positive numbers are considered valid. Any computed negative current is reported as 0 A..

### READ\_TEMPERATURE\_2 (8Eh)

READ\_TEMPERATURE\_2 is a paged register. The READ\_TEMPERATURE\_2 command returns the external temperature in degrees Celsius of the current channel.

| Command       | READ_TEMPERATURE_2              |   |   |   |   |   |          |   |   |   |   |   |   |   |   |   |
|---------------|---------------------------------|---|---|---|---|---|----------|---|---|---|---|---|---|---|---|---|
| Format        | Linear, two's complement binary |   |   |   |   |   |          |   |   |   |   |   |   |   |   |   |
| Bit Position  | 7                               | 6 | 5 | 4 | 3 | 2 | 1        | 0 | 7 | 6 | 5 | 4 | 3 | 2 | 1 | 0 |
| Access        | r                               | r | r | r | r | r | r        | r | r | r | r | r | r | r | r | r |
| Function      | Exponent                        |   |   |   |   |   | Mantissa |   |   |   |   |   |   |   |   |   |
| Default Value | 0                               | 0 | 0 | 0 | 0 | 0 | 0        | 0 | 0 | 0 | 0 | 1 | 1 | 0 | 0 | 1 |

#### Exponent

0 (dec), fixed.

#### Mantissa

The lower 11 bits are the result of the ADC conversion of the external temperature. The default reading is 25 (dec) corresponding to a temperature of 25°C.

## TPS40422

SLUSAQ4A – OCTOBER 2011 – REVISED DECEMBER 2011

[www.ti.com](http://www.ti.com)

### PMBUS\_REVISION (98h)

The PMBUS\_REVISION command returns a single, unsigned binary byte that indicates that the TPS40422 is compatible with the 1.1 revision of the PMBus specification.

| Command       | PMBUS_REVISION  |   |   |   |   |   |   |   |
|---------------|-----------------|---|---|---|---|---|---|---|
| Format        | Unsigned binary |   |   |   |   |   |   |   |
| Bit Position  | 7               | 6 | 5 | 4 | 3 | 2 | 1 | 0 |
| Access        | r               | r | r | r | r | r | r | r |
| Default Value | 0               | 0 | 0 | 1 | 0 | 0 | 0 | 1 |

### MFR\_SPECIFIC\_00 (D0h)

The MFR\_SPECIFIC\_00 register is dedicated as a user scratch pad.

| Command       | MFR_SPECIFIC_00  |     |     |     |     |     |     |     |     |     |     |     |     |     |     |     |
|---------------|------------------|-----|-----|-----|-----|-----|-----|-----|-----|-----|-----|-----|-----|-----|-----|-----|
| Format        | Unsigned binary  |     |     |     |     |     |     |     |     |     |     |     |     |     |     |     |
| Bit Position  | 7                | 6   | 5   | 4   | 3   | 2   | 1   | 0   | 7   | 6   | 5   | 4   | 3   | 2   | 1   | 0   |
| Access        | r/w              | r/w | r/w | r/w | r/w | r/w | r/w | r/w | r/w | r/w | r/w | r/w | r/w | r/w | r/w | r/w |
| Function      | User scratch pad |     |     |     |     |     |     |     |     |     |     |     |     |     |     |     |
| Default Value | 0                | 0   | 0   | 0   | 0   | 0   | 0   | 0   | 0   | 0   | 0   | 0   | 0   | 0   | 0   | 0   |

The contents of this register can be stored to non-volatile memory using the STORE\_USER\_ALL command.

### VREF\_TRIM (MFR\_SPECIFIC\_04) (D4h)

VREF\_TRIM is a paged register. The VREF\_TRIM command is used to apply a fixed offset voltage to the reference voltage. It is most typically used by the end user to trim the output voltage at the time the PMBus device is assembled into the end user system. The contents of this register can be stored to non-volatile memory using the STORE\_USER\_ALL command.

The effect of this command is determined by the settings of the VOUT\_MODE command. In this device, the VOUT\_MODE is fixed to Linear with an exponent of -9 (decimal).

$$V_{\text{REF}(\text{offset})} = V_{\text{REF\_TRIM}} \times 2^{-9} \quad (16)$$

The maximum trim range is -20% to +10% of the nominal reference voltage (600 mV) in 2 mV steps. Permissible values range from -120 mV to +60 mV. If a value outside this range is given with this command, the TPS40422 sets the reference voltage to the upper or lower limit depending on the direction of the setting, asserts SMBALERT and sets the CML bit in STATUS\_BYTE and the invalid data bit in STATUS\_CML.

Including settings from both VREF\_TRIM and STEP\_VREF\_MARGIN\_x commands, the net permissible reference voltage adjustment range is -180 mV to +60 mV (-30% to +10%). If a value outside this range is given with this command, the TPS40422 sets the reference voltage to the upper or lower limit depending on the direction of the setting, asserts SMBALERT and sets the CML bit in STATUS\_BYTE and the invalid data bit in STATUS\_CML.

The reference voltage transition occurs at the rate determined by the TON\_RISE command if the transition is executed during soft-start. Any transition in the reference voltage after soft-start is complete occurs at the rate determined by the highest programmable TON\_RISE.

| Command       | VREF_TRIM                       |   |   |   |   |   |   |   |          |   |     |     |     |     |     |     |
|---------------|---------------------------------|---|---|---|---|---|---|---|----------|---|-----|-----|-----|-----|-----|-----|
| Format        | Linear, two's complement binary |   |   |   |   |   |   |   |          |   |     |     |     |     |     |     |
| Bit Position  | 7                               | 6 | 5 | 4 | 3 | 2 | 1 | 0 | 7        | 6 | 5   | 4   | 3   | 2   | 1   | 0   |
| Access        | r/w                             | r | r | r | r | r | r | r | r        | r | r/w | r/w | r/w | r/w | r/w | r/w |
| Function      | High Byte                       |   |   |   |   |   |   |   | Low Byte |   |     |     |     |     |     |     |
| Default Value | 0                               | 0 | 0 | 0 | 0 | 0 | 0 | 0 | 0        | 0 | 0   | 0   | 0   | 0   | 0   | 0   |

### STEP\_VREF\_MARGIN\_HIGH (MFR\_SPECIFIC\_05) (D5h)

STEP\_VREF\_MARGIN\_HIGH is a paged register. The STEP\_VREF\_MARGIN\_HIGH command sets the target voltage which the reference voltage changes to when the OPERATION command is set to "Margin High". The contents of this register can be stored to non-volatile memory using the STORE\_USER\_ALL command.

The effect of this command is determined by the settings of the VOUT\_MODE command. In this device, the VOUT\_MODE is fixed to Linear with an exponent of -9 (decimal). The actual reference voltage commanded by a margin high command can be found by:

$$V_{REF(MH)} = (\text{STEP\_VREF\_MARGIN\_HIGH} + \text{VREF\_TRIM}) \times 2^{-9} \quad (17)$$

The margin high range is 0% to 10% of the nominal reference voltage (600 mV) in 2-mV steps. Permissible values range from 0 mV to 60 mV. If a value outside this range is given with this command, the TPS40422 sets the reference voltage to the upper or lower limit depending on the direction of the setting, asserts SMBALERT and sets the CML bit in STATUS\_BYTE and the invalid data bit in STATUS\_CML.

Including settings from both VREF\_TRIM and STEP\_VREF\_MARGIN\_x commands, the net permissible reference voltage adjustment range is -180 mV to 60 mV (-30% to 10%). If a value outside this range is given with this command, the TPS40422 sets the reference voltage to the upper or lower limit depending on the direction of the setting, asserts SMBALERT and sets the CML bit in STATUS\_BYTE and the invalid data bit in STATUS\_CML.

The reference voltage transition occurs at the rate determined by the TON\_RISE command if the transition is executed during soft-start. Any transition in the reference voltage after soft-start is complete occurs at the rate determined by the highest programmable TON\_RISE.

| Command       | STEP_VREF_MARGIN_HIGH           |   |   |   |   |   |   |   |          |   |   |     |     |     |     |     |
|---------------|---------------------------------|---|---|---|---|---|---|---|----------|---|---|-----|-----|-----|-----|-----|
| Format        | Linear, two's complement binary |   |   |   |   |   |   |   |          |   |   |     |     |     |     |     |
| Bit Position  | 7                               | 6 | 5 | 4 | 3 | 2 | 1 | 0 | 7        | 6 | 5 | 4   | 3   | 2   | 1   | 0   |
| Access        | r                               | r | r | r | r | r | r | r | r        | r | r | r/w | r/w | r/w | r/w | r/w |
| Function      | High Byte                       |   |   |   |   |   |   |   | Low Byte |   |   |     |     |     |     |     |
| Default Value | 0                               | 0 | 0 | 0 | 0 | 0 | 0 | 0 | 0        | 0 | 0 | 1   | 1   | 1   | 1   | 0   |

The default value of STEP\_VREF\_MARGIN\_HIGH is 30 (dec). This corresponds to a default margin high voltage of 60 mV (±10%).

### STEP\_VREF\_MARGIN\_LOW (MFR\_SPECIFIC\_06) (D6h)

STEP\_VREF\_MARGIN\_LOW is a paged register. The STEP\_VREF\_MARGIN\_LOW command sets the target voltage which the reference voltage changes to when the OPERATION command is set to "Margin Low". The contents of this register can be stored to non-volatile memory using the STORE\_USER\_ALL command.

The effect of this command is determined by the settings of the VOUT\_MODE command. In this device, the VOUT\_MODE is fixed to Linear with an exponent of -9 (decimal). The actual output voltage commanded by a margin high command is shown in Equation 18.

$$V_{REF(ML)} = (\text{STEP\_VREF\_MARGIN\_LOW} + \text{VREF\_TRIM}) \times 2^{-9} \quad (18)$$

## TPS40422

SLUSAQ4A – OCTOBER 2011 – REVISED DECEMBER 2011

[www.ti.com](http://www.ti.com)

The margin low range is -20% to 0% of the nominal reference voltage (600 mV) in 2-mV steps. Permissible values range from -120 mV to 0 mV. If a value outside this range is given with this command, the TPS40422 sets the reference voltage to the upper or lower limit depending on the direction of the setting, asserts  $\overline{\text{SMBALERT}}$  and sets the CML bit in STATUS\_BYTE and the invalid data bit in STATUS\_CML.

Including settings from both VREF\_TRIM and STEP\_VREF\_MARGIN\_x commands, the net permissible reference voltage adjustment range is -180 mV to 60 mV (-30% to +10%). If a value outside this range is given with this command, the TPS40422 sets the reference voltage to the upper or lower limit depending on the direction of the setting, asserts  $\overline{\text{SMBALERT}}$  and sets the CML bit in STATUS\_BYTE and the invalid data bit in STATUS\_CML.

The reference voltage transition occurs at the rate determined by the TON\_RISE command if the transition is executed during soft-start. Any transition in the reference voltage after soft-start is complete occurs at the rate determined by the highest programmable TON\_RISE.

| Command       | STEP_VREF_MARGIN_LOW            |   |   |   |   |   |   |   |          |   |     |     |     |     |     |     |
|---------------|---------------------------------|---|---|---|---|---|---|---|----------|---|-----|-----|-----|-----|-----|-----|
| Format        | Linear, two's complement binary |   |   |   |   |   |   |   |          |   |     |     |     |     |     |     |
| Bit Position  | 7                               | 6 | 5 | 4 | 3 | 2 | 1 | 0 | 7        | 6 | 5   | 4   | 3   | 2   | 1   | 0   |
| Access        | r/w                             | r | r | r | r | r | r | r | r        | r | r/w | r/w | r/w | r/w | r/w | r/w |
| Function      | High Byte                       |   |   |   |   |   |   |   | Low Byte |   |     |     |     |     |     |     |
| Default Value | 1                               | 1 | 1 | 1 | 1 | 1 | 1 | 1 | 1        | 1 | 1   | 0   | 0   | 0   | 1   | 0   |

The default value of STEP\_VREF\_MARGIN\_LOW is -30 (dec). This corresponds to a default margin low voltage of -60 mV ( $\pm 10\%$ ).

**PCT\_VOUT\_FAULT\_PG\_LIMIT (MFR\_SPECIFIC\_07) (D7h)**

PCT\_VOUT\_FAULT\_PG\_LIMIT is a paged register. The PCT\_VOUT\_FAULT\_PG\_LIMIT command is used to set the PGOOD, VOUT\_UNDER\_VOLTAGE (UV) and VOUT\_OVER\_VOLTAGE (OV) limits as a percentage of nominal.

In two-phase mode, the user can write to PAGE 0 (channel 1) only. Any writes to PAGE 1 are not acknowledged.

The PCT\_VOUT\_FAULT\_PG\_LIMIT takes a one byte data word formatted as shown below:

| Command       | PCT_VOUT_FAULT_PG_LIMIT |   |   |   |   |   |         |         |
|---------------|-------------------------|---|---|---|---|---|---------|---------|
| Format        | Unsigned binary         |   |   |   |   |   |         |         |
| Bit Position  | 7                       | 6 | 5 | 4 | 3 | 2 | 1       | 0       |
| Access        | r                       | r | r | r | r | r | r/w     | r/w     |
| Function      | X                       | X | X | X | X | X | PCT_MSB | PCT_LSB |
| Default Value | 0                       | 0 | 0 | 0 | 0 | 0 | 0       | 0       |

The PGOOD, VOUT\_UNDER\_VOLTAGE (UV) and VOUT\_OVER\_VOLTAGE (OV) settings are shown in [Table 4](#), as a percentage of nominal reference voltage on the FBx pins.

**Table 4. Protection Settings**

| PCT_MSB | PCT_LSB | UV      | PGL LOW | PGL HIGH | PGH HIGH | PGH LOW | OV     |
|---------|---------|---------|---------|----------|----------|---------|--------|
| 0       | 0       | -16.67% | -12.5%  | -8.33%   | 12.50%   | 8.33%   | 16.67% |
| 0       | 1       | -12.50% | -8.33%  | -4.17%   | 8.33%    | 4.17%   | 12.50% |
| 1       | 0       | -29.17% | -20.83% | -16.67%  | 8.33%    | 4.17%   | 12.50% |
| 1       | 1       | -41.67% | -37.50% | -33.33%  | 8.33%    | 4.17%   | 12.50% |

The PGOOD pin can be tripped if the output voltage is too high (using PGH high) or too low (using PGL low). Additionally, the PGOOD pin has hysteresis. When the output trips PGOOD going low (at PGL low), the output must rise past PGL high before PGOOD is reset. Likewise, when the output trips PGOOD going high (at PGH high), the output must lower past PGH low before PGOOD is reset.

Additionally, when output overvoltage (OV) is tripped, the output must lower below the PGH low threshold, before PGOOD and OV are reset. Likewise, when output undervoltage (UV) is tripped, the output must rise above the PGOOD high threshold, before PGOOD and UV are reset.

**SEQUENCE\_TON\_TOFF\_DELAY (MFR\_SPECIFIC\_08) (D8h)**

SEQUENCE\_TON\_TOFF\_DELAY is a paged register. The SEQUENCE\_TON\_TOFF\_DELAY command is used to set the delay for turning on the device and turning off the device as a ratio of TON\_RISE.

In two-phase mode, the user can only write to PAGE 0 (channel 1). Any writes to PAGE 1 is not acknowledged.

The SEQUENCE\_TON\_TOFF\_DELAY takes a one byte data word formatted as shown below:

| Command       | SEQUENCE_TON_TOFF_DELAY |     |     |   |            |     |     |   |
|---------------|-------------------------|-----|-----|---|------------|-----|-----|---|
| Format        | Unsigned binary         |     |     |   |            |     |     |   |
| Bit Position  | 7                       | 6   | 5   | 4 | 3          | 2   | 1   | 0 |
| Access        | r/w                     | r/w | r/w | r | r/w        | r/w | r/w | r |
| Function      | TON_DELAY               |     |     | X | TOFF_DELAY |     |     | X |
| Default Value | 0                       | 0   | 0   | 0 | 0          | 0   | 0   | 0 |

**TON\_DELAY:**

This parameter selects the delay from when the output is enabled until soft-start begins, as a multiple of the TON\_RISE time. The default value is 0. Values can range from 0 to 7 in increments of 1.

**TOFF\_DELAY:**

## TPS40422

SLUSAQ4A – OCTOBER 2011 – REVISED DECEMBER 2011

[www.ti.com](http://www.ti.com)

This parameter selects the delay from when the output is disabled until the output stops switching, as a multiple of the TON\_RISE time. The default value is 0. Values can range from 0 to 7 in increments of 1.

### OPTIONS (MFR\_SPECIFIC\_21) (E5h)

The OPTIONS register can be used for setting user selectable options, as shown below.

| Command       | OPTIONS         |   |   |   |   |   |   |   |   |   |   |   |   |             |         |         |
|---------------|-----------------|---|---|---|---|---|---|---|---|---|---|---|---|-------------|---------|---------|
| Format        | Unsigned binary |   |   |   |   |   |   |   |   |   |   |   |   |             |         |         |
| Bit Position  | 7               | 6 | 5 | 4 | 3 | 2 | 1 | 0 | 7 | 6 | 5 | 4 | 3 | 2           | 1       | 0       |
| Access        | r               | r | r | r | r | r | r | r | r | r | r | r | r | r/w         | r/w     | r/w     |
| Function      | X               | X | X | X | X | X | X | X | X | X | X | X | X | EN_ADC_CNTL | CH2_DTC | CH1_DTC |
| Default Value | 0               | 0 | 0 | 0 | 0 | 0 | 0 | 0 | 0 | 1 | 1 | 1 | 0 | 1           | 0       | 0       |

The contents of this register can be stored to non-volatile memory using the STORE\_USER\_ALL command.

A “1” in any of these bit positions indicates that:

#### EN\_ADC\_CNTL:

Enables ADC operation used for voltage, current and temperature monitoring.

#### CH2\_DTC:

Increases the non-overlap dead time for gate drivers on channel 2.

#### CH1\_DTC:

Increases the non-overlap dead time for gate drivers on channel 1.

### DEVICE\_CODE (MFR\_SPECIFIC\_44) (FCh)

The DEVICE\_CODE command returns a two byte unsigned binary 12-bit device identifier code and 4-bit revision code in the following format.

| Command       | MFR_SPECIFIC_44                 |   |   |   |   |   |   |   |   |   |   |   |               |   |   |   |   |
|---------------|---------------------------------|---|---|---|---|---|---|---|---|---|---|---|---------------|---|---|---|---|
| Format        | Linear, two's complement binary |   |   |   |   |   |   |   |   |   |   |   |               |   |   |   |   |
| Bit Position  | 7                               | 6 | 5 | 4 | 3 | 2 | 1 | 0 | 7 | 6 | 5 | 4 | 3             | 2 | 1 | 0 |   |
| Access        | r                               | r | r | r | r | r | r | r | r | r | r | r | r             | r | r | r |   |
| Function      | Identifier Code                 |   |   |   |   |   |   |   |   |   |   |   | Revision Code |   |   |   |   |
| Default Value | 0                               | 0 | 0 | 0 | 0 | 0 | 0 | 0 | 0 | 0 | 1 | 1 | 1             | 0 | 1 | 0 | 0 |

This command is oriented toward providing similar information to the DEVICE\_ID command but for devices that do not support block read and write functions.

#### Identifier Code

Fixed at 7 (dec).

#### Revision Code

Fixed at 4 (dec).

---

**REVISION HISTORY**

| <b>Changes from Original (OCTOBER) to Revision A</b> | <b>Page</b>        |
|--|--------------------|
| • Added Application Information section .....        | <a href="#">13</a> |

---

**PACKAGING INFORMATION**

| Orderable Device | Status <sup>(1)</sup> | Package Type | Package Drawing | Pins | Package Qty | Eco Plan <sup>(2)</sup>    | Lead/<br>Ball Finish | MSL Peak Temp <sup>(3)</sup> | Samples<br>(Requires Login) |
|------------------|-----------------------|--------------|-----------------|------|-------------|----------------------------|----------------------|------------------------------|-----------------------------|
| TPS40422RHAR     | ACTIVE                | VQFN         | RHA             | 40   | 2500        | Green (RoHS<br>& no Sb/Br) | CU NIPDAU            | Level-3-260C-168 HR          |                             |
| TPS40422RHAT     | ACTIVE                | VQFN         | RHA             | 40   | 250         | Green (RoHS<br>& no Sb/Br) | CU NIPDAU            | Level-3-260C-168 HR          |                             |

<sup>(1)</sup> The marketing status values are defined as follows:

**ACTIVE:** Product device recommended for new designs.

**LIFEBUY:** TI has announced that the device will be discontinued, and a lifetime-buy period is in effect.

**NRND:** Not recommended for new designs. Device is in production to support existing customers, but TI does not recommend using this part in a new design.

**PREVIEW:** Device has been announced but is not in production. Samples may or may not be available.

**OBsolete:** TI has discontinued the production of the device.

<sup>(2)</sup> Eco Plan - The planned eco-friendly classification: Pb-Free (RoHS), Pb-Free (RoHS Exempt), or Green (RoHS & no Sb/Br) - please check <http://www.ti.com/productcontent> for the latest availability information and additional product content details.

**TBD:** The Pb-Free/Green conversion plan has not been defined.

**Pb-Free (RoHS):** TI's terms "Lead-Free" or "Pb-Free" mean semiconductor products that are compatible with the current RoHS requirements for all 6 substances, including the requirement that lead not exceed 0.1% by weight in homogeneous materials. Where designed to be soldered at high temperatures, TI Pb-Free products are suitable for use in specified lead-free processes.

**Pb-Free (RoHS Exempt):** This component has a RoHS exemption for either 1) lead-based flip-chip solder bumps used between the die and package, or 2) lead-based die adhesive used between the die and leadframe. The component is otherwise considered Pb-Free (RoHS compatible) as defined above.

**Green (RoHS & no Sb/Br):** TI defines "Green" to mean Pb-Free (RoHS compatible), and free of Bromine (Br) and Antimony (Sb) based flame retardants (Br or Sb do not exceed 0.1% by weight in homogeneous material)

<sup>(3)</sup> MSL, Peak Temp. -- The Moisture Sensitivity Level rating according to the JEDEC industry standard classifications, and peak solder temperature.

**Important Information and Disclaimer:** The information provided on this page represents TI's knowledge and belief as of the date that it is provided. TI bases its knowledge and belief on information provided by third parties, and makes no representation or warranty as to the accuracy of such information. Efforts are underway to better integrate information from third parties. TI has taken and continues to take reasonable steps to provide representative and accurate information but may not have conducted destructive testing or chemical analysis on incoming materials and chemicals. TI and TI suppliers consider certain information to be proprietary, and thus CAS numbers and other limited information may not be available for release.

In no event shall TI's liability arising out of such information exceed the total purchase price of the TI part(s) at issue in this document sold by TI to Customer on an annual basis.



**TAPE AND REEL INFORMATION**
**REEL DIMENSIONS**

**TAPE DIMENSIONS**


|    |   |
|----|---|
| A0 | Dimension designed to accommodate the component width     |
| B0 | Dimension designed to accommodate the component length    |
| K0 | Dimension designed to accommodate the component thickness |
| W  | Overall width of the carrier tape                         |
| P1 | Pitch between successive cavity centers                   |

**TAPE AND REEL INFORMATION**

\*All dimensions are nominal

| Device       | Package Type | Package Drawing | Pins | SPQ  | Reel Diameter (mm) | Reel Width W1 (mm) | A0 (mm) | B0 (mm) | K0 (mm) | P1 (mm) | W (mm) | Pin1 Quadrant |
|--------------|--------------|-----------------|------|------|--------------------|--------------------|---------|---------|---------|---------|--------|---------------|
| TPS40422RHAR | VQFN         | RHA             | 40   | 2500 | 330.0              | 16.4               | 6.3     | 6.3     | 1.5     | 12.0    | 16.0   | Q2            |
| TPS40422RHAT | VQFN         | RHA             | 40   | 250  | 180.0              | 16.4               | 6.3     | 6.3     | 1.5     | 12.0    | 16.0   | Q2            |

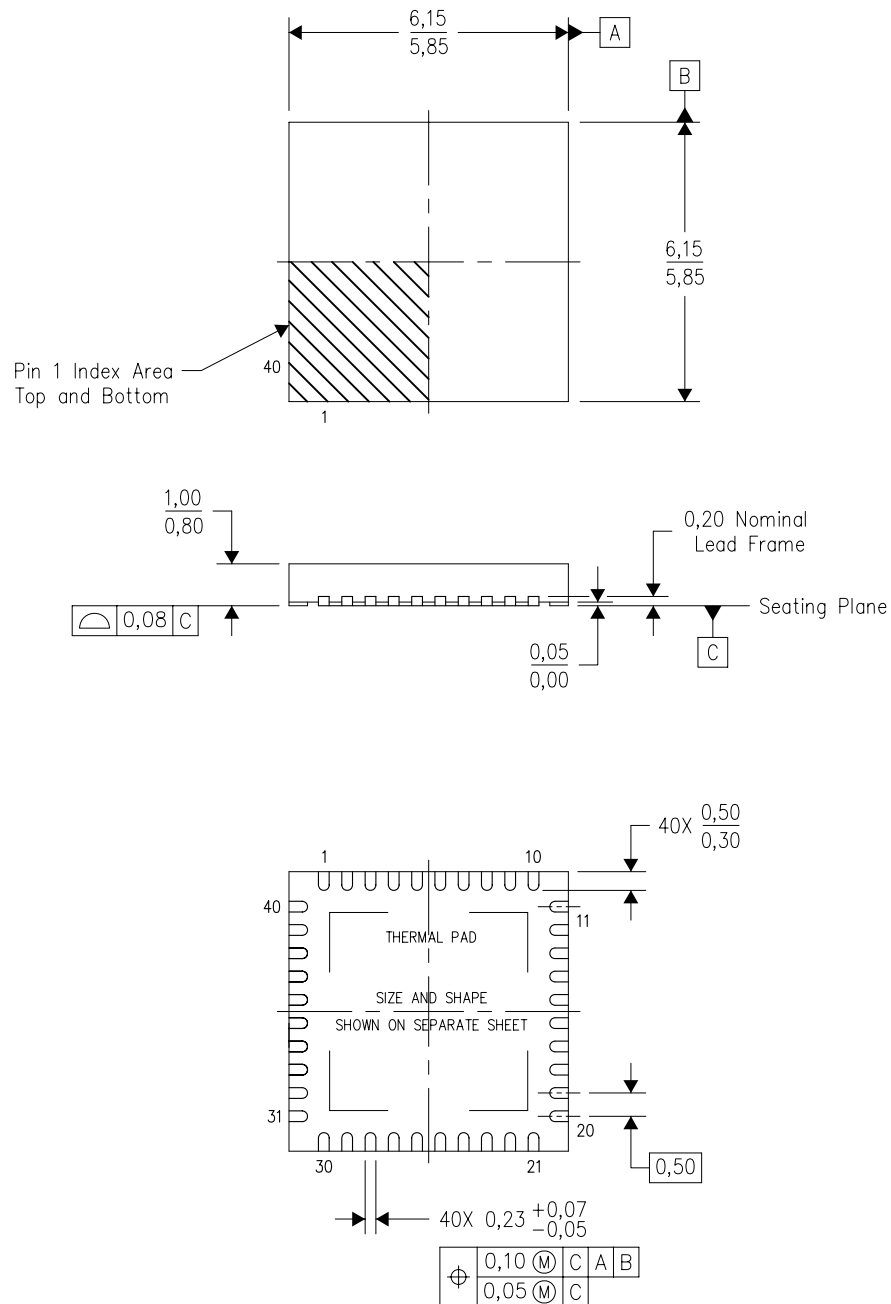
**TAPE AND REEL BOX DIMENSIONS**


\*All dimensions are nominal

| Device       | Package Type | Package Drawing | Pins | SPQ  | Length (mm) | Width (mm) | Height (mm) |
|--------------|--------------|-----------------|------|------|-------------|------------|-------------|
| TPS40422RHAR | VQFN         | RHA             | 40   | 2500 | 346.0       | 346.0      | 33.0        |
| TPS40422RHAT | VQFN         | RHA             | 40   | 250  | 210.0       | 185.0      | 35.0        |

RHA (S-PVQFN-N40)

PLASTIC QUAD FLATPACK NO-LEAD



Bottom View

4204276/E 06/11

- NOTES:
- All linear dimensions are in millimeters. Dimensioning and tolerancing per ASME Y14.5M-1994.
  - This drawing is subject to change without notice.
  - QFN (Quad Flatpack No-Lead) Package configuration.
  - The package thermal pad must be soldered to the board for thermal and mechanical performance.
  - See the additional figure in the Product Data Sheet for details regarding the exposed thermal pad features and dimensions.
  - Package complies to JEDEC MO-220 variation VJJD-2.

## THERMAL PAD MECHANICAL DATA

RHA (S-PVQFN-N40)

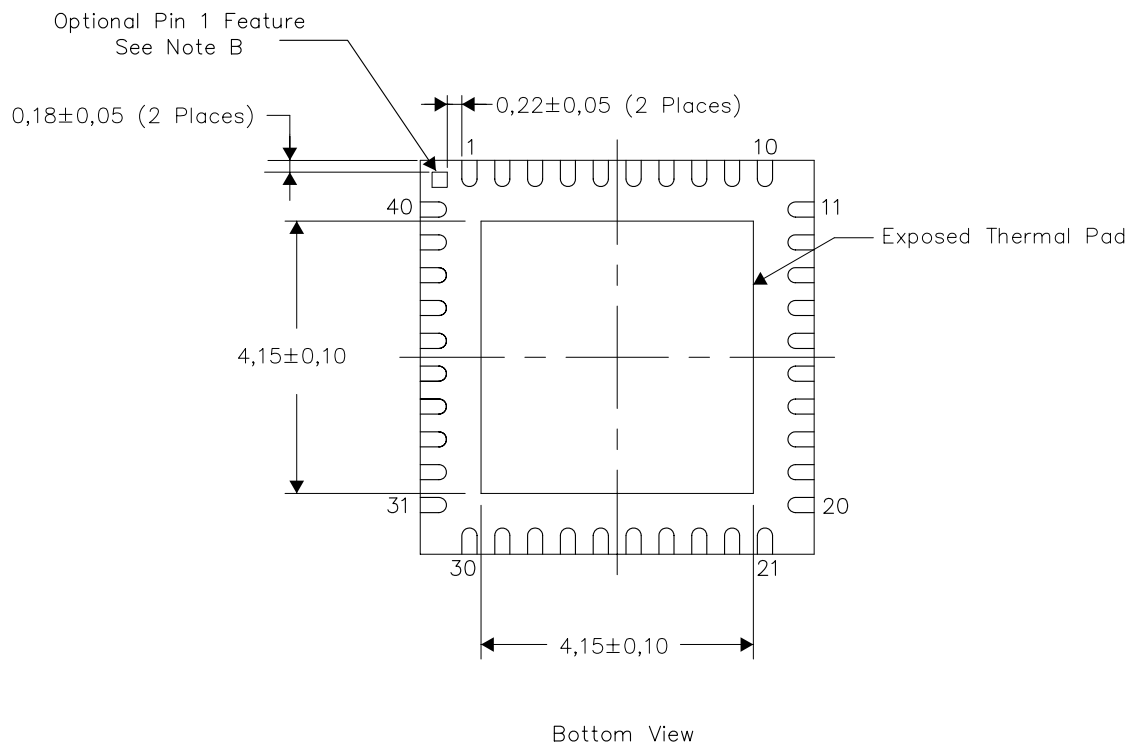
PLASTIC QUAD FLATPACK NO-LEAD

### THERMAL INFORMATION

This package incorporates an exposed thermal pad that is designed to be attached directly to an external heatsink. The thermal pad must be soldered directly to the printed circuit board (PCB). After soldering, the PCB can be used as a heatsink. In addition, through the use of thermal vias, the thermal pad can be attached directly to the appropriate copper plane shown in the electrical schematic for the device, or alternatively, can be attached to a special heatsink structure designed into the PCB. This design optimizes the heat transfer from the integrated circuit (IC).

For information on the Quad Flatpack No-Lead (QFN) package and its advantages, refer to Application Report, QFN/SON PCB Attachment, Texas Instruments Literature No. SLUA271. This document is available at [www.ti.com](http://www.ti.com).

The exposed thermal pad dimensions for this package are shown in the following illustration.



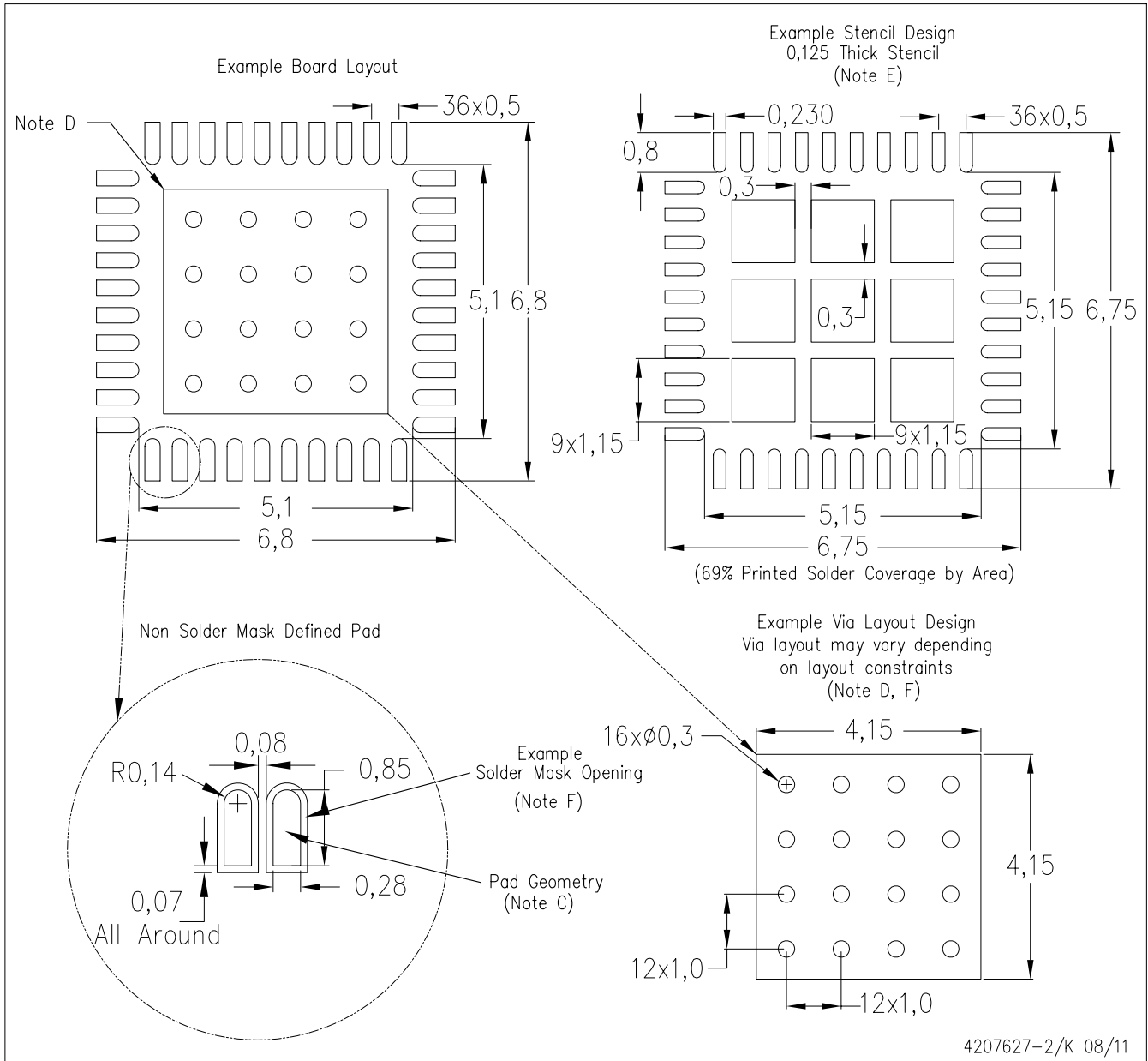
Exposed Thermal Pad Dimensions

4206355-2/P 08/11

- NOTES:
- A. All linear dimensions are in millimeters
  - B. The Pin 1 Identification mark is an optional feature that may be present on some devices  
In addition, this Pin 1 feature if present is electrically connected to the center thermal pad and therefore should be considered when routing the board layout.

RHA (S-PVQFN-N40)

PLASTIC QUAD FLATPACK NO-LEAD



- NOTES:
- A. All linear dimensions are in millimeters.
  - B. This drawing is subject to change without notice.
  - C. Publication IPC-7351 is recommended for alternate designs.
  - D. This package is designed to be soldered to a thermal pad on the board. Refer to Application Note, Quad Flat-Pack Packages, Texas Instruments Literature No. SLUA271, and also the Product Data Sheets for specific thermal information, via requirements, and recommended board layout. These documents are available at [www.ti.com](http://www.ti.com) <<http://www.ti.com>>.
  - E. Laser cutting apertures with trapezoidal walls and also rounding corners will offer better paste release. Customers should contact their board assembly site for stencil design recommendations. Refer to IPC 7525 for stencil design considerations.
  - F. Customers should contact their board fabrication site for recommended solder mask tolerances and via tenting recommendations for vias placed in the thermal pad.

## IMPORTANT NOTICE

Texas Instruments Incorporated and its subsidiaries (TI) reserve the right to make corrections, modifications, enhancements, improvements, and other changes to its products and services at any time and to discontinue any product or service without notice. Customers should obtain the latest relevant information before placing orders and should verify that such information is current and complete. All products are sold subject to TI's terms and conditions of sale supplied at the time of order acknowledgment.

TI warrants performance of its hardware products to the specifications applicable at the time of sale in accordance with TI's standard warranty. Testing and other quality control techniques are used to the extent TI deems necessary to support this warranty. Except where mandated by government requirements, testing of all parameters of each product is not necessarily performed.

TI assumes no liability for applications assistance or customer product design. Customers are responsible for their products and applications using TI components. To minimize the risks associated with customer products and applications, customers should provide adequate design and operating safeguards.

TI does not warrant or represent that any license, either express or implied, is granted under any TI patent right, copyright, mask work right, or other TI intellectual property right relating to any combination, machine, or process in which TI products or services are used. Information published by TI regarding third-party products or services does not constitute a license from TI to use such products or services or a warranty or endorsement thereof. Use of such information may require a license from a third party under the patents or other intellectual property of the third party, or a license from TI under the patents or other intellectual property of TI.

Reproduction of TI information in TI data books or data sheets is permissible only if reproduction is without alteration and is accompanied by all associated warranties, conditions, limitations, and notices. Reproduction of this information with alteration is an unfair and deceptive business practice. TI is not responsible or liable for such altered documentation. Information of third parties may be subject to additional restrictions.

Resale of TI products or services with statements different from or beyond the parameters stated by TI for that product or service voids all express and any implied warranties for the associated TI product or service and is an unfair and deceptive business practice. TI is not responsible or liable for any such statements.

TI products are not authorized for use in safety-critical applications (such as life support) where a failure of the TI product would reasonably be expected to cause severe personal injury or death, unless officers of the parties have executed an agreement specifically governing such use. Buyers represent that they have all necessary expertise in the safety and regulatory ramifications of their applications, and acknowledge and agree that they are solely responsible for all legal, regulatory and safety-related requirements concerning their products and any use of TI products in such safety-critical applications, notwithstanding any applications-related information or support that may be provided by TI. Further, Buyers must fully indemnify TI and its representatives against any damages arising out of the use of TI products in such safety-critical applications.

TI products are neither designed nor intended for use in military/aerospace applications or environments unless the TI products are specifically designated by TI as military-grade or "enhanced plastic." Only products designated by TI as military-grade meet military specifications. Buyers acknowledge and agree that any such use of TI products which TI has not designated as military-grade is solely at the Buyer's risk, and that they are solely responsible for compliance with all legal and regulatory requirements in connection with such use.

TI products are neither designed nor intended for use in automotive applications or environments unless the specific TI products are designated by TI as compliant with ISO/TS 16949 requirements. Buyers acknowledge and agree that, if they use any non-designated products in automotive applications, TI will not be responsible for any failure to meet such requirements.

Following are URLs where you can obtain information on other Texas Instruments products and application solutions:

### Products

|                        |  |
|------------------------|--|
| Audio                  | <a href="http://www.ti.com/audio">www.ti.com/audio</a>                               |
| Amplifiers             | <a href="http://amplifier.ti.com">amplifier.ti.com</a>                               |
| Data Converters        | <a href="http://dataconverter.ti.com">dataconverter.ti.com</a>                       |
| DLP® Products          | <a href="http://www.dlp.com">www.dlp.com</a>   |
| DSP                    | <a href="http://dsp.ti.com">dsp.ti.com</a>   |
| Clocks and Timers      | <a href="http://www.ti.com/clocks">www.ti.com/clocks</a>                             |
| Interface              | <a href="http://interface.ti.com">interface.ti.com</a>                               |
| Logic                  | <a href="http://logic.ti.com">logic.ti.com</a>                                       |
| Power Mgmt             | <a href="http://power.ti.com">power.ti.com</a>                                       |
| Microcontrollers       | <a href="http://microcontroller.ti.com">microcontroller.ti.com</a>                   |
| RFID                   | <a href="http://www.ti-rfid.com">www.ti-rfid.com</a>                                 |
| OMAP Mobile Processors | <a href="http://www.ti.com/omap">www.ti.com/omap</a>                                 |
| Wireless Connectivity  | <a href="http://www.ti.com/wirelessconnectivity">www.ti.com/wirelessconnectivity</a> |

### Applications

|                               |  |
|-------------------------------|--|
| Automotive and Transportation | <a href="http://www.ti.com/automotive">www.ti.com/automotive</a>                         |
| Communications and Telecom    | <a href="http://www.ti.com/communications">www.ti.com/communications</a>                 |
| Computers and Peripherals     | <a href="http://www.ti.com/computers">www.ti.com/computers</a>                           |
| Consumer Electronics          | <a href="http://www.ti.com/consumer-apps">www.ti.com/consumer-apps</a>                   |
| Energy and Lighting           | <a href="http://www.ti.com/energy">www.ti.com/energy</a>                                 |
| Industrial                    | <a href="http://www.ti.com/industrial">www.ti.com/industrial</a>                         |
| Medical                       | <a href="http://www.ti.com/medical">www.ti.com/medical</a>                               |
| Security                      | <a href="http://www.ti.com/security">www.ti.com/security</a>                             |
| Space, Avionics and Defense   | <a href="http://www.ti.com/space-avionics-defense">www.ti.com/space-avionics-defense</a> |
| Video and Imaging             | <a href="http://www.ti.com/video">www.ti.com/video</a>                                   |

TI E2E Community Home Page

[e2e.ti.com](http://e2e.ti.com)

Mailing Address: Texas Instruments, Post Office Box 655303, Dallas, Texas 75265  
Copyright © 2012, Texas Instruments Incorporated