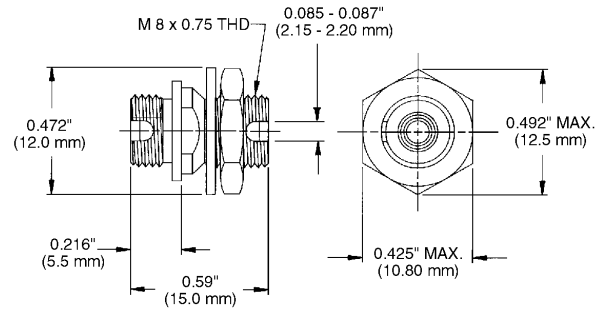




8211 D-Mount Coupling

268

### 8211-APC Coupling



### Specifications for 3M™ FC Couplings

	Multimode	Single-mode	Single-mode	Single-mode
Product Number	6210	8210	8211	8211 APC*
Housing design	Square Flanged	Square Flanged	D-Mount	D-Mount
Operating temperature (-40° to 185°F)	-40° to 85°C (-40° to 185°F)	-40° to 85°C (-40° to 185°F)	-40° to 85°C (-40° to 185°F)	-40° to 85°C (-40° to 185°F)
Material Sleeve Housing	Phosphor Bronze Metal	Zirconia ceramic Metal	Zirconia ceramic Metal	Zirconia ceramic Metal
<b>Ordering Information</b>				
Packaging	1/cs.	1/cs	1/cs	1/cs.
Minimum order	1 each	1 each	1 each	1 each
UPC	054007-70872	054007-48805	051138-11913	051138-57576

\*For PC applications also.

