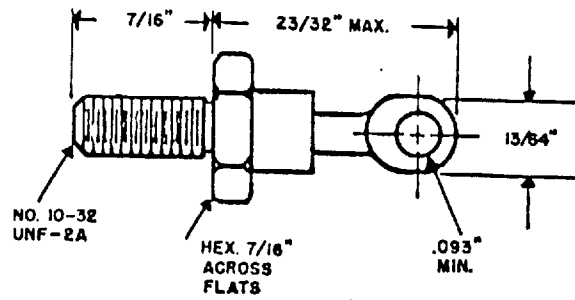


ECI-17



B_V _____

PIV See Chart

I_O 6 Amps @ 100 °C Case

I_S - 200 AMPS

V_f 1.4 V @ 6 Amps @ 25 °C

I_R 15 u Amps @ PIV @ 25 °C

3 M amps @ PIV @ 100 °C

STYLE DO 4

STAMP Edal, P/N, Polarity symbol

EQUIV. TO _____ EXCEPT _____

Reverse recovery time: 300 Nano Sec.
 Conditions: 1 Amp forward to 4 Amp reverse to 0
 For reverse polarity add suffix R: Ex. 1N3879R

P/N	PIV (volts)	P/N	PIV(volts)
1N3879	50	1N3882	300
1N3880	100	1N3883	400
1N3881	200		

REV.	DESCRIPTION	BY	DATE

EDAL INDUSTRIES INC. EAST HAVEN, CONN. 06512		DRAWN	APP	DATE
		DV		4/23/77
TOLERANCES UNLESS OTHERWISE NOTED				
TITLE		FRACTIONS ±		DECIMALS ±
Silicon Rectifiers		DWG. NO.		
		1N3879 - 1N3883		

9000-4161