

15KP17CA  
thru  
15KP280CA

# 15,000 WATT TRANSIENT VOLTAGE SUPPRESSOR

AVAILABLE IN VOLTAGES FROM 19.9V THRU 327.5V

The NES 15KP series of transient suppressor diodes are designed to protect electronic equipment from failure due to high voltage transients. Because of their special internal design, rapid junction cooling under pulse power stress is possible. This characteristic makes these devices especially useful in the protection of airborne, telephone and other industrial types of equipment normally subject to large voltage transients. As protective devices they are intended to be used as voltage clamps under sustained voltage stress until normal fusing devices open the circuits. The normal failure mode under sustained current overload is short circuit.

## MAXIMUM RATINGS:

15,000 Watts of Peak Pulse Power Dissipation @ 25°C

Clamping (0 volts to BV min):  $< 1 \times 10^{-12}$  seconds

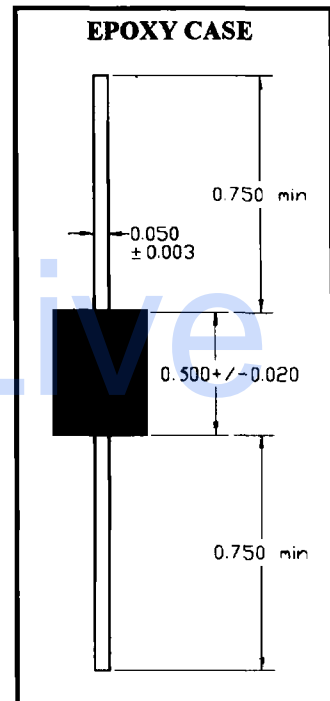
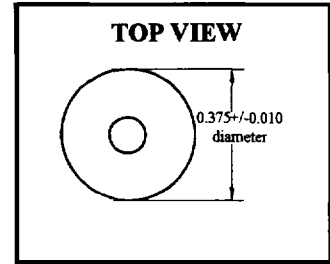
Operating and Storage Temperature: -35°C to +150°C

Steady State Power Dissipation: 7.0 watts @  $T_A = 25^\circ\text{C}$

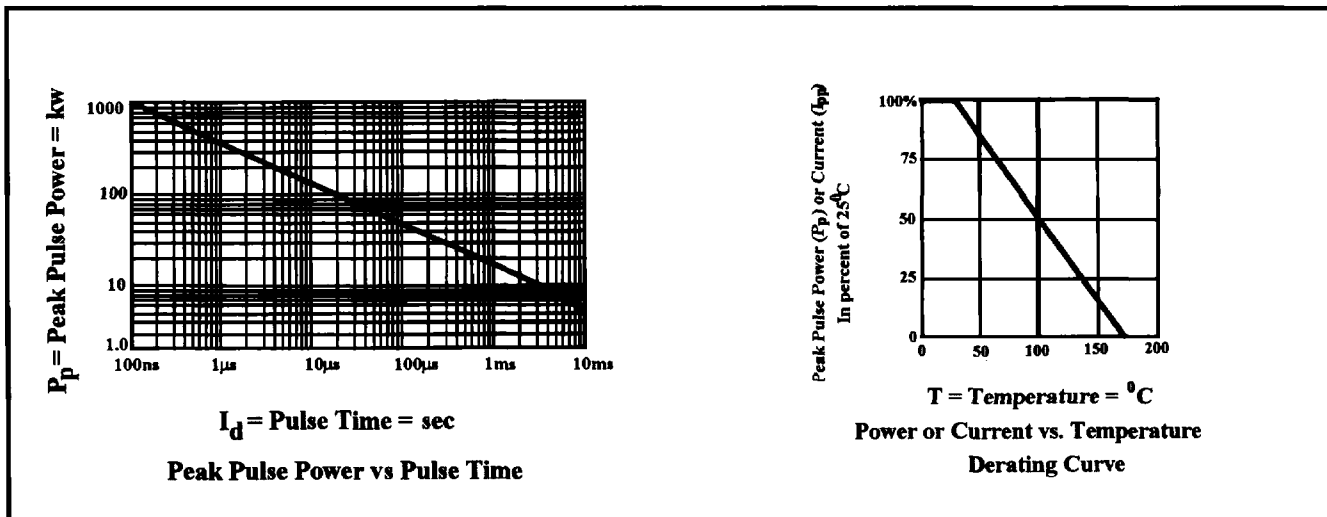
Repetition Rate (Duty Cycle): 0.05%

## FEATURES:

- EPOXY CASE
- MATTE TIN PLATED COPPER LEADS
- BIPOLAR DESIGN
- CUSTOM DESIGNS AVAILABLE\*



\*CONSULT FACTORY



# NEW ENGLAND SEMICONDUCTOR

## 15KP17CA thru 15KP280CA

Part Number*	Reverse Stand-off voltage $V_R$ volts	Breakdown Voltage BV @ volts	$I_T$ mA	Maximum clamping volt @ $I_{PP}$ (1mSec) $V_c$ Volts	Maximum Reverse Leakage $I_R$ @ $V_R$ $\mu A$	Maximum Peak Pulse Current $I_{PP}$ A	Max. Volt. Var of BV mV/C
15KP17CA	17	19.9	50	29.3	5000	512	17
15KP18CA	18	21.0	50	30.9	5000	485	18
15KP20CA	20	23.3	20	34.3	1500	437	21
15KP22CA	22	25.6	10	37.1	500	404	24
15KP24CA	24	28.0	5	40.7	150	369	27
15KP26CA	26	30.4	5	44.0	50	341	29
15KP28CA	28	32.7	5	47.5	25	316	31
15KP30CA	30	35.0	5	50.7	15	296	34
15KP33CA	33	38.6	5	54.8	10	274	38
15KP36CA	36	42.1	5	59.7	10	251	41
15KP40CA	40	46.7	5	65.8	10	228	46
15KP43CA	43	50.3	5	69.7	10	215	50
15KP46CA	46	52.6	5	73.0	10	205	52
15KP48CA	48	56.1	5	77.7	10	193	56
15KP51CA	51	60.1	5	82.8	10	181	60
15KP54CA	54	63.1	5	87.5	10	171	63
15KP58CA	58	67.8	5	94.0	10	160	68
15KP60CA	60	70.2	5	97.3	10	154	71
15KP64CA	64	74.8	5	104.0	10	144	76
15KP70CA	70	81.9	5	114.0	10	132	83
15KP75CA	75	87.7	5	122.0	10	123	89
15KP78CA	78	91.2	5	126.0	10	119	93
15KP85CA	85	99.2	5	137.0	10	109	102
15KP90CA	90	105.5	5	146.0	10	103	109
15KP100CA	100	117.0	5	162.0	10	93	121
15KP110CA	110	128.5	5	178.0	10	84	133
15KP120CA	120	140.0	5	193.0	10	78	145
15KP130CA	130	151.5	5	209.0	10	72	157
15KP150CA	150	176.0	5	243.0	10	62	183
15KP160CA	160	187.5	5	259.0	10	58	195
15KP170CA	170	199.0	5	275.0	10	55	207
15KP180CA	180	210.5	5	291.0	10	52	219
15KP200CA	200	233.5	5	322.0	10	47	243
15KP220CA	220	258.0	5	356.0	10	42	269
15KP240CA	240	281.0	5	388.0	10	39	293
15KP260CA	260	304.0	5	419.0	10	36	317
15KP280CA	280	327.5	5	452.0	10	33	342

\*Suffix 'CA' indicates  $\pm 5\%$  tolerance

\*Suffix 'C' indicates  $\pm 10\%$  tolerance