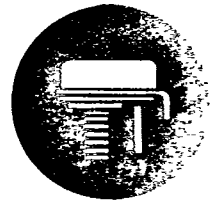


POWER DARLINGTONS

TYPE NO.	PT @ 25°C Watts	MAXIMUM RATINGS				hFE		@		Sat Voltages		Test Conditions		
		BV _{CBO}	BV _{CEO}	BV _{EBO}	I _c	MIN	MAX	I _c	V _{CE}	V _{CE}	V _{BE}	I _c	I _B	I _{EBO} **
		V	V	V	A									
2N2226	150	50	50	15	10	250	2000	4	6	3.5	4	9	.15	30
2N2227	150	100	100	15	10	250	2000	4	6	3.5	4	9	.15	30
2N2228	150	150	150	15	10	250	2000	4	6	3.5	4	9	.15	30
2N2229	150	200	200	15	10	250	2000	4	6	3.5	4	9	.15	30
2N2230	150	50	50	15	10	700	10000	4	6	3.5	4	9	.15	30
2N2231	150	100	100	15	10	700	10000	4	6	3.5	4	9	.15	30
2N2232	150	150	150	15	10	700	10000	4	6	3.5	4	9	.15	30
2N2233	150	200	200	15	10	700	10000	4	6	3.5	4	9	.15	30



TO-82

POWER DARLINGTONS

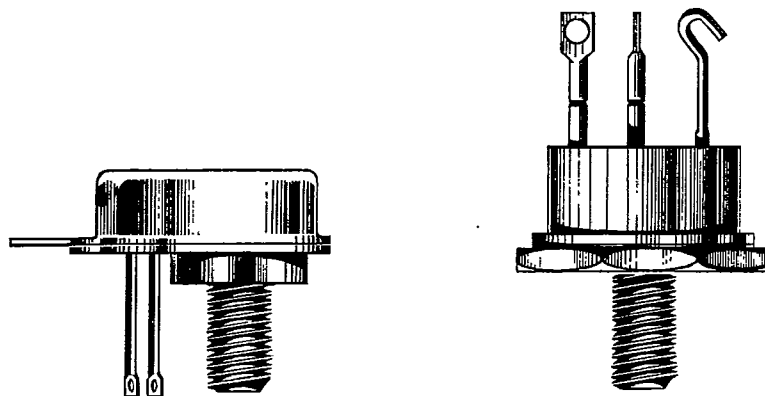
TYPE NO.	PT @ 25°C Watts	MAXIMUM RATINGS				hFE		@		Sat Voltages		Test Conditions		
		BV _{CBO}	BV _{CEO}	BV _{EBO}	I _c	MIN	MAX	I _c	V _{CE}	V _{CE}	V _{BE}	I _c	I _B	I _{EBO} **
		V	V	V	A									
2N3470	150*	50	50	15	10	100		4	6	3.5	4	9	.15	30
2N3471	150*	100	100	15	10	100		4	6	3.5	4	9	.15	30
2N3472	150*	150	150	15	10	100		4	6	3.5	4	9	.15	30
2N3473	150*	200	200	15	10	100		4	6	3.5	4	9	.15	30
2N3474	150*	50	50	15	10	400		4	6	3.5	4	9	.15	30
2N3475	150*	100	100	15	10	400		4	6	3.5	4	9	.15	30
2N3476	150*	150	150	15	10	400		4	6	3.5	4	9	.15	30
2N3477	150*	200	200	15	10	400		4	6	3.5	4	9	.15	30



TO-63

*T_c = 75°C

** T_A = 150°C



POWER-29X