

SILICONIX MOSFETs



This page of product is RoHS compliant.

N & P-CHANNEL TRENCHFET® MOSFETS (CONT.)

◆ Surface Mount Device

For quantities greater than listed, call for quote.

MOUSER STOCK NO.	Siliconix Part No.	Package	V _{DS} (Max)(V)	I _D (Max)(A)	I _{DM} (Max)(A)	R _{DS(on)} Max (Ω) @		P _D (Max) (W)	Price Each		
						V _{GS} =10V			1	100	1000
						V _{GS} =4.5V					
Dual Configuration (Cont.)											
◆ 781-SI4532ADY-T1-E3	SI4532ADY-T1-E3	SO-8	±30	+4.9/-3.9	±20	0.053/0.080	0.075/0.135	1.13/1.2	.87	.54	.376
◆ 781-SI4564DY-T1-GE3	SI4564DY-T1-GE3	SO-8	±40	+10/-9.2	±40	.0175/.021	.02/.028	3.1/3.2	1.39	.86	.60
◆ 781-SI4559ADY-T1-GE3	SI4559ADY-T1-GE3	SO-8	±60	+45/±3.1	±30	0.025/0.032	0.35/0.045	2.4/2.4	1.39	.86	.60

Single Configuration

◆ 781-SI1865DDL-T1-GE3	SI1865DDL-T1-GE3	SC-70-6	12	1.1	5	-	0.2	0.357	.48	.165	.103
------------------------	------------------	---------	----	-----	---	---	-----	-------	-----	------	------

N-CHANNEL MOSFETS

◆ Surface Mount Device

For quantities greater than listed, call for quote.

MOUSER STOCK NO.	Siliconix Part No.	Package	V _{DS} (Max)(V)	I _D (Max)(A)	I _{DM} (Max)(A)	R _{DS(on)} Max (Ω) @		P _D (Max) (W)	Price Each		
						V _{GS} =4.5V			1	100	1000
Single Configuration											
◆ 781-SI2302CDS-T1-GE3	SI2302CDS-T1-GE3	SOT-23	20	2.4	10	0.060	0.7	.52	.286	.187	
◆ 781-SI3442BDV-E3	SI3442BDV-T1-E3	TSOP-6	20	4.2	20	0.057	1.67	.68	.374	.245	
◆ 781-SI2304BDS-T1-E3	SI2304BDS-T1-E3	SOT-23	30	3.2	10	0.105	0.75	.62	.343	.224	
◆ 781-2N7002-T1-E3	2N7002-T1-E3	SOT-23	60	0.115	0.8	7.5 @ 5V	0.2	.51	.154	.092	
◆ 781-2N7002E-T1-E3	2N7002E-T1-E3	SOT-23	60	0.24	0.13	4.000	0.35	.51	.154	.092	
◆ 781-2N6660-E3	2N6660-E3	TO-39	60	1.1	3.0	-	6.25	28.00	21.99	16.48	
◆ 781-SI2328DS-E3	SI2328DS-T1-E3	SOT-23	100	1.5	6.0	-	0.73	.75	.449	.306	
◆ 781-SI3430DV-E3	SI3430DV-T1-E3	TSOP-6	100	2.4	8.0	0.185 @ 6V	1.14	1.12	.694	.484	
◆ 781-SI4102DY-GE3	SI4102DY-GE3	SO-8	100	6.9	30	0.040 @ 6V	1.8	1.01	.624	.435	
◆ 781-SI4102DY-GE3	SI4102DY-GE3	SO-8	100	7.9	40	0.028 @ 6V	1.8	1.01	.624	.435	
◆ 781-SI7430DP-T1-E3	SI7430DP-T1-E3	SO-8	150	26	50	0.047 @ 5V	64	2.97	1.91	1.38	
◆ 781-TN2404K-T1-E3	TN2404K-T1-E3	SOT-23	240	0.2	0.8	4.000	0.36	.91	.541	.368	
◆ 781-SIHP12N50C-E3	SIHP12N50C-E3	TO-220AB	500	12	28	-	208	4.70	3.44	2.34	
781-SIHG20N50C-E3	SIHG20N50C-E3	TO-247	560	20	80	-	292	3.05	2.23	1.52	
781-SIHP18N50C-E3	SIHP18N50C-E3	TO-220AB	560	18	72	-	223	2.85	1.84	1.33	
781-SIHF12N60E-E3	SIHF12N60E-E3	TO-220FP	600	12	27	-	147	2.82	1.82	1.31	
781-SIHP12N60E-E3	SIHP12N60E-E3	TO-220AB	600	12	27	-	147	2.70	1.74	1.26	
781-SIHP15N60E-E3	SIHP15N60E-E3	TO-220AB	600	15	39	-	180	2.96	2.17	1.47	
781-SIHP22N60E-E3	SIHP22N60E-E3	TO-220AB	600	21	56	-	227	4.06	2.97	2.02	
781-SIHG22N60E-E3	SIHG22N60E-E3	TO-247AC	600	21	56	-	227	4.48	3.28	2.23	
◆ 781-SIHB22N60E-GE3	SIHB22N60E-GE3	D2PAK	600	21	56	-	227	4.14	3.03	2.06	
781-SIHP30N60E-E3	SIHP30N60E-E3	TO-220AB	600	29	65	-	250	6.02	4.40	2.99	
78-SIHG30N60E-GE3	SIHG30N60E-GE3	TO-247AC	600	29	65	-	250	6.44	4.71	3.20	
◆ 78-SIHB30N60E-GE3	SIHB30N60E-GE3	D2PAK	600	29	65	-	250	6.10	4.46	3.04	
781-SIHG47N60E-E3	SIHG47N60E-E3	TO-247AC	600	47	145	-	357	9.75	7.21	5.24	
◆ 781-SIHB24N65E-E3	SIHB24N65E-E3	D2PAK	650	24	70	-	250	5.96	4.36	2.97	

Dual Configuration

◆ 781-SI6954ADQ-E3	SI6954ADQ-T1-E3	TSSOP-8	30	3.4	20	0.075	0.83	.95	.564	.384
--------------------	-----------------	---------	----	-----	----	-------	------	-----	------	------

N-CHANNEL D SERIES POWER MOSFETS

◆ Surface Mount Device

For quantities greater than listed, call for quote.

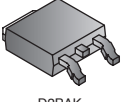
MOUSER STOCK NO.	Siliconix Part No.	Package	V _{DS} (Max)(V)	I _D (Max)(A)	I _{DM} (Max)(A)	R _{DS(on)} Max		P _D (Max)	Price Each		
						@ V _{GS} (V)			1	100	1000
						(Ω)	(Ω)				
78-SIHG25N40D-GE3	SIHG25N40D-GE3	TO-247 AC	400	25	78	0.17	10	278	3.72	2.72	1.85
78-SIHP25N40D-GE3	SIHP25N40D-GE3	TO-220	400	25	78	0.17	10	278	3.08	2.25	1.53
78-SIHF6N40D-E3	SIHF6N40D-E3	TO-220FP-3	400	6	13	1.0	10	30	1.55	1.00	.726
78-SIHF10N40D-E3	SIHF10N40D-E3	TO-220FP-3	400	10	23	0.60	10	33	1.90	1.22	.891
78-SIHP10N40D-E3	SIHP10N40D-E3	TO-220AB-3	450	10	23	0.60	10	147	1.78	1.15	.834
78-SIHU3N50D-GE3	SIHU3N50D-GE3	TO-251	500	3	5.5	3.2	10	104	.90	.557	.389
◆ 78-SIHD3N50D-GE3	SIHD3N50D-GE3	TO-252	500	3	5.5	3.2	10	104	.93	.575	.401
◆ 78-SIHD5N50D-GE3	SIHD5N50D-GE3	TO-252	500	5.3	10	1.5	10	104	1.25	.77	.537
78-SIHP5N50D-GE3	SIHP5N50D-GE3	TO-220	500	5.3	10	1.5	10	104	1.37	.844	.589
78-SIHU5N50D-GE3	SIHU5N50D-GE3	TO-251	500	5.3	10	1.5	10	104	1.23	.76	.531
78-SIHF5N50D-E3	SIHF5N50D-E3	TO-220	500	5.3	10	1.5	10	30	1.55	1.00	.726
78-SIHP8N50D-GE3	SIHP8N50D-GE3	TO-220	500	8.7	18	0.85	10	156	1.74	1.07	.749
78-SIHF8N50D-E3	SIHF8N50D-E3	TO-220	500	8.7	18	0.85	10	33	1.89	1.21	.884
78-SIHP14N50D-E3	SIHP14N50D-E3	TO-220AB-3	500	14	38	0.40	10	208	2.95	1.90	1.37
78-IRFP460BPBF	IRFP460BPBF	TO-247 AC	500	20	62	0.25	10	0.278	3.99	2.92	1.99
78-SIHP8N50D-E3	SIHP8N50D-E3	TO-220AB-3	550	8.7	18	0.85	10	156	1.74	1.07	.749
78-SIHU5N50D-E3	SIHU5N50D-E3	TO-220AB-3	550	8.7	18	0.85	10	104	1.23	.76	.531
78-SIHG25N40D-E3	SIHG25N40D-E3	TO-247AC	550	14	38	0.40	10	208	3.72	2.72	1.85
78-SIHG17N60D-GE3	SIHG17N60D-GE3	TO-247 AC	600	17	48	0.34	10	277.8	3.96	2.90	1.97

N-CHANNEL E SERIES POWER MOSFETS

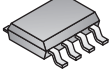
◆ Surface Mount Device

For quantities greater than listed, call for quote.

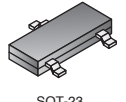
MOUSER STOCK NO.	Siliconix Part No.	Package	V _{DS} (Max)(V)	I _D (Max)(A)	I _{DM} (Max)(A)	R _{DS(on)} Max		P _D (Max)	Price Each		
						@ V _{GS} (V)			1	100	1000
						(Ω)	(Ω)				
78-SIHP12N50E-GE3	SIHP12N50E-GE3	TO-220-3	500	10.5	21	380	10	114	1.86	1.20	.87
◆ 78-SIHB20N50E-GE3	SIHB20N50E-GE3	D2PAK-3	500	19	42	184	10	179	3.30	2.41	1.64
78-SIHG20N50E-GE3	SIHG20N50E-GE3	TO-247AC-3	500	19	42	184	10	179	3.30	2.41	1.64
78-SIHP20N50E-GE3	SIHP20N50E-GE3	TO-220-3	500	19	42	184	10	179	2.95	1.90	1.37
78-SIHA25N50E-E3	SIHA25N50E-E3	TO-220-3	500	26	50	0.145	10	35	3.22	2.35	1.60
78-SIHG25N50E-GE3	SIHG25N50E-GE3	TO-247AC-3	500	26	50	0.145	10	250	3.88	2.84	1.93
78-SIHP25N50E-GE3	SIHP25N50E-GE3	TO-220-3	500	26	50	0.145	10	250	3.22	2.36	1.60
78-SIHP7N60E-GE3	SIHP7N60E-GE3	TO-220AB	600	7	18	0.6	10	78	2.09	1.35	.979
◆ 78-SIHD7N60E-GE3	SIHD7N60E-GE3	DPAK	600	7	18	0.6	10	78	2.01	1.29	.94
78-SIHU7N60E-E3	SIHU7N60E-E3	IPAK	600	7	18	0.6	10	78	2.06	1.33	.966
78-SIHF7N60E-E3	SIHF7N60E-E3	TO-220FP	600	7	18	0.6	10	31	2.40	1.54	1.12
78-SIHB12N60E-GE3	SIHB12N60E-GE3	D2PAK-3	600	12	27	0.38	10	147	2.08	1.34	.971
◆ 78-SIHB15N60E-GE3	SIHB15N60E-GE3	D2PAK	600	15	39	0.28	10	180	3.13	2.29	1.56
78-SIHW30N60E-GE3	SIHW30N60E-GE3	TO-247AD	600	29	65	0.125	10	250	6.44	4.71	3.20
◆ 78-SIHB30N60E-GE3	SIHB30N60E-GE3	TO-263	600	29	65	0.125	10	250	6.10	4.46	3.04
◆ 78-SIHB33N60E-GE3	SIHB33N60E-GE3	D2PAK	600	33	88	0.099	10	278	6.21	4.55	3.09
78-SIHP33N60E-GE3	SIHP33N60E-GE3	TO-220AB	600	33	88	0.099	10	278	6.16	4.51	3.06
78-SIHG33N60E-GE3	SIHG33N60E-GE3	TO-247AC	600	33	88	0.099	10	278	6.72	4.92	3.34
78-SIHW33N60E-GE3	SIHW33N60E-GE3	TO-247AD	600	33	88	0.099	10	278	6.72	4.92	3.34



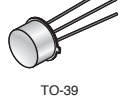
D2PAK



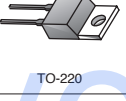
SO-8



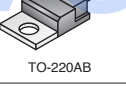
SOT-23




TO-39




TO-220



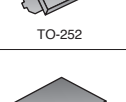
TO-220AB



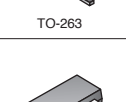
TO-220FP / TO-220-3



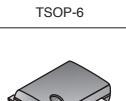
TO-247AC / DC / TO-247AC-3




TO-252



TO-263



TSOP-6



TSSOP-8

MOSFETS

Vishay Siliconix