

METRIC

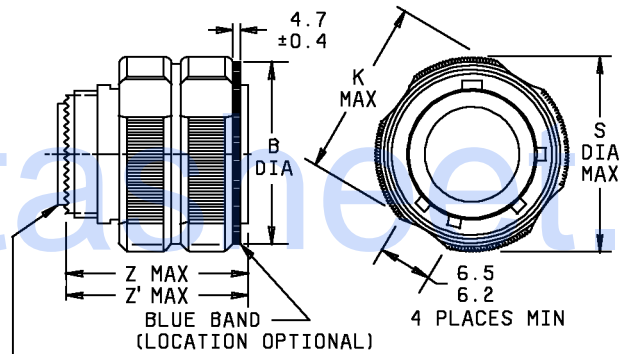
MIL-DTL-38999/26G  
31 October 2011  
SUPERSEDING  
MIL-DTL-38999/26F  
2 June 2010

DETAIL SPECIFICATION SHEET

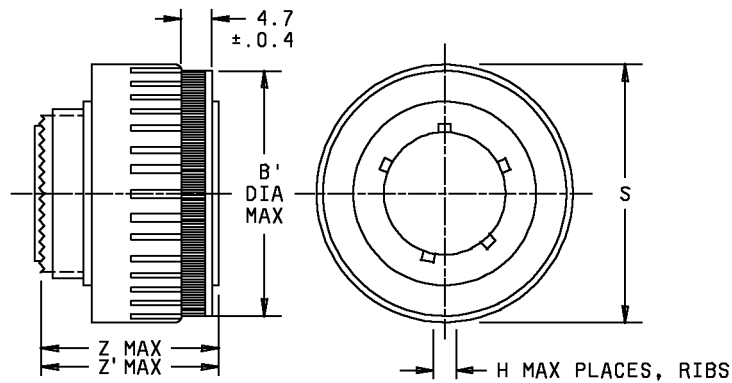
CONNECTORS, ELECTRICAL, PLUG, CIRCULAR, THREADED,  
STRAIGHT, REMOVABLE CRIMP CONTACTS, SERIES III, METRIC

This specification is approved for use by all Departments  
and Agencies of the Department of Defense.

The requirements for acquiring the product described herein  
shall consist of this specification sheet and MIL-DTL-38999.



FOR DETAILS OF CONNECTOR  
FRONT AND REAR END CONFIGURATION,  
SEE PROCUREMENT SPECIFICATION



ALTERNATE DESIGN  
FOR CLASS J AND M

FIGURE 1. Plug, classes F, G, J, K, M, P, R, S, T, W, X and Z.

MIL-DTL-38999/26G

Shell size	Shell size code	B dia + 0.2 - 0.0	B' dia max	H max	K max	S dia max	Z max	Z' max (classes J and M only)
9	A	18.4 (.724)	20.6 (.811)	12 (.472)	19.0 (.748)	21.8 (.858)	31.0 (1.22)	31.5 (1.240)
11	B	21.1 (.830)	23.6 (.929)	14 (.551)	21.9 (.862)	25.0 (.984)	31.0 (1.22)	31.5 (1.240)
13	C	25.4 (.999)	28.2 (1.11)	16 (.629)	26.1 (1.03)	29.4 (1.157)	31.0 (1.22)	31.5 (1.240)
15	D	28.7 (1.129)	31.3 (1.23)	18 (.708)	29.3 (1.15)	32.5 (1.27)	31.0 (1.22)	31.5 (1.240)
17	E	32.2 (1.26)	34.5 (1.35)	20 (.787)	32.8 (1.29)	35.7 (1.40)	31.0 (1.22)	31.5 (1.240)
19	F	34.9 (1.37)	37.3 (1.46)	22 (.866)	35.5 (1.39)	38.5 (1.51)	31.0 (1.22)	31.5 (1.240)
21	G	38.1 (1.49)	40.5 (1.59)	24 (.944)	38.7 (1.52)	41.7 (1.64)	31.0 (1.22)	31.5 (1.240)
23	H	41.1 (1.61)	43.7 (1.72)	26 (1.02)	41.7 (1.64)	44.9 (1.76)	31.0 (1.22)	31.5 (1.240)
25	J	44.3 (1.74)	46.8 (1.84)	28 (1.102)	44.9 (1.76)	48.0 (1.88)	31.0 (1.22)	31.5 (1.240)

NOTES:

1. Dimensions are in millimeters.
2. Inch equivalents are given for information only.

FIGURE 1. Plug, classes F, G, J, K, M, P, R, S, T, W, X and Z - Continued.

MIL-DTL-38999/26G

REQUIREMENTS:

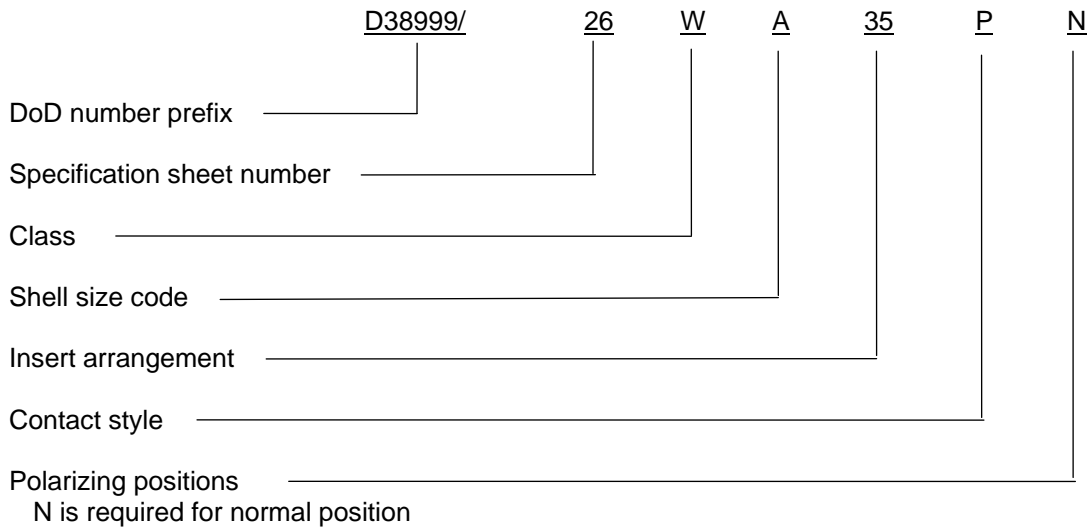
Dimensions and configuration: See figure 1. Interface dimensions shall be in accordance with MIL-DTL-38999.

This connector mates with MIL-DTL-38999/20, /21, /22, /23, /24, /25 and /27.

For insert arrangements: See MIL-STD-1560.

Connector accessories: SAE-AS85049.

Part or Identifying Number (PIN) example:



Class F is not for Navy use and is inactive for Air Force new design use.

NOTE: The term PIN is equivalent to the term (part number, identification number, and type designator) which was previously used in this specification.

Changes from previous issue. The margins of this specification are marked with vertical lines to indicate where changes from the previous issue were made. This was done as a convenience only and the Government assumes no liability whatsoever for any inaccuracies in these notations. Bidders and contractors are cautioned to evaluate the requirements of this document based on the entire content irrespective of the marginal notations and relationship to the last previous issue.

Referenced documents. In addition to MIL-DTL-38999, this document references the following:

- MIL-STD-1560
- MIL-DTL-38999/20
- MIL-DTL-38999/21
- MIL-DTL-38999/22
- MIL-DTL-38999/23
- MIL-DTL-38999/24
- MIL-DTL-38999/25
- MIL-DTL-38999/27
- SAE-AS85049

MIL-DTL-38999/26G

CONCLUDING MATERIAL

Custodians:

Army – CR  
Navy - AS  
Air Force – 85  
DLA - CC

Preparing activity:

DLA - CC

(Project 5935-2011-114)

Review activities:

Army - AR, MI  
Navy - EC, MC, OS  
Air Force - 19, 99

NOTE: The activities listed above were interested in this document as of the date of this document. Since organizations and responsibilities can change, you should verify the currency of the information above using the ASSIST Online database at <https://assist.daps.dla.mil>.