

- Low  $r_{DS(on)}$  . . . 5  $\Omega$  Typical
- Avalanche Energy . . . 30 mJ
- Eight Power DMOS-Transistor Outputs of 150-mA Continuous Current
- 500-mA Typical Current-Limiting Capability
- Output Clamp Voltage . . . 50 V
- Low Power Consumption

### description

The TPIC6B273 is a monolithic, high-voltage, medium-current, power logic octal D-type latch with DMOS-transistor outputs designed for use in systems that require relatively high load power. The device contains a built-in voltage clamp on the outputs for inductive transient protection. Power driver applications include relays, solenoids, and other medium-current or high-voltage loads.

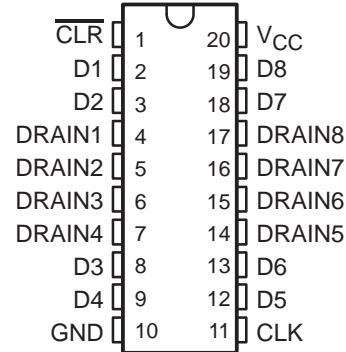
The TPIC6B273 contains eight positive-edge-triggered D-type flip-flops with a direct clear input. Each flip-flop features an open-drain power DMOS-transistor output.

When clear ( $\overline{CLR}$ ) is high, information at the D inputs meeting the setup time requirements is transferred to the DRAIN outputs on the positive-going edge of the clock (CLK) pulse. Clock triggering occurs at a particular voltage level and is not directly related to the transition time of the positive-going pulse. When the clock input (CLK) is at either the high or low level, the D input signal has no effect at the output. An asynchronous  $\overline{CLR}$  is provided to turn all eight DMOS-transistor outputs off. When data is low for a given output, the DMOS-transistor output is off. When data is high, the DMOS-transistor output has sink-current capability.

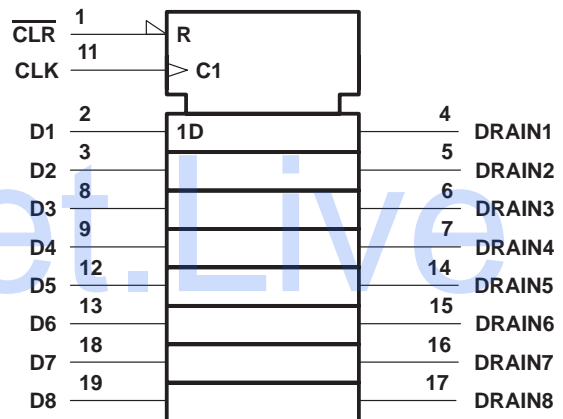
Outputs are low-side, open-drain DMOS transistors with output ratings of 50 V and 150-mA continuous sink-current capability. Each output provides a 500-mA typical current limit at  $T_C = 25^\circ\text{C}$ . The current limit decreases as the junction temperature increases for additional device protection.

The TPIC6B273 is characterized for operation over the operating case temperature range of  $-40^\circ\text{C}$  to  $125^\circ\text{C}$ .

DW OR N PACKAGE  
(TOP VIEW)



### logic symbol†



† This symbol is in accordance with ANSI/IEEE Standard 91-1984 and IEC Publication 617-12.

FUNCTION TABLE  
(each channel)

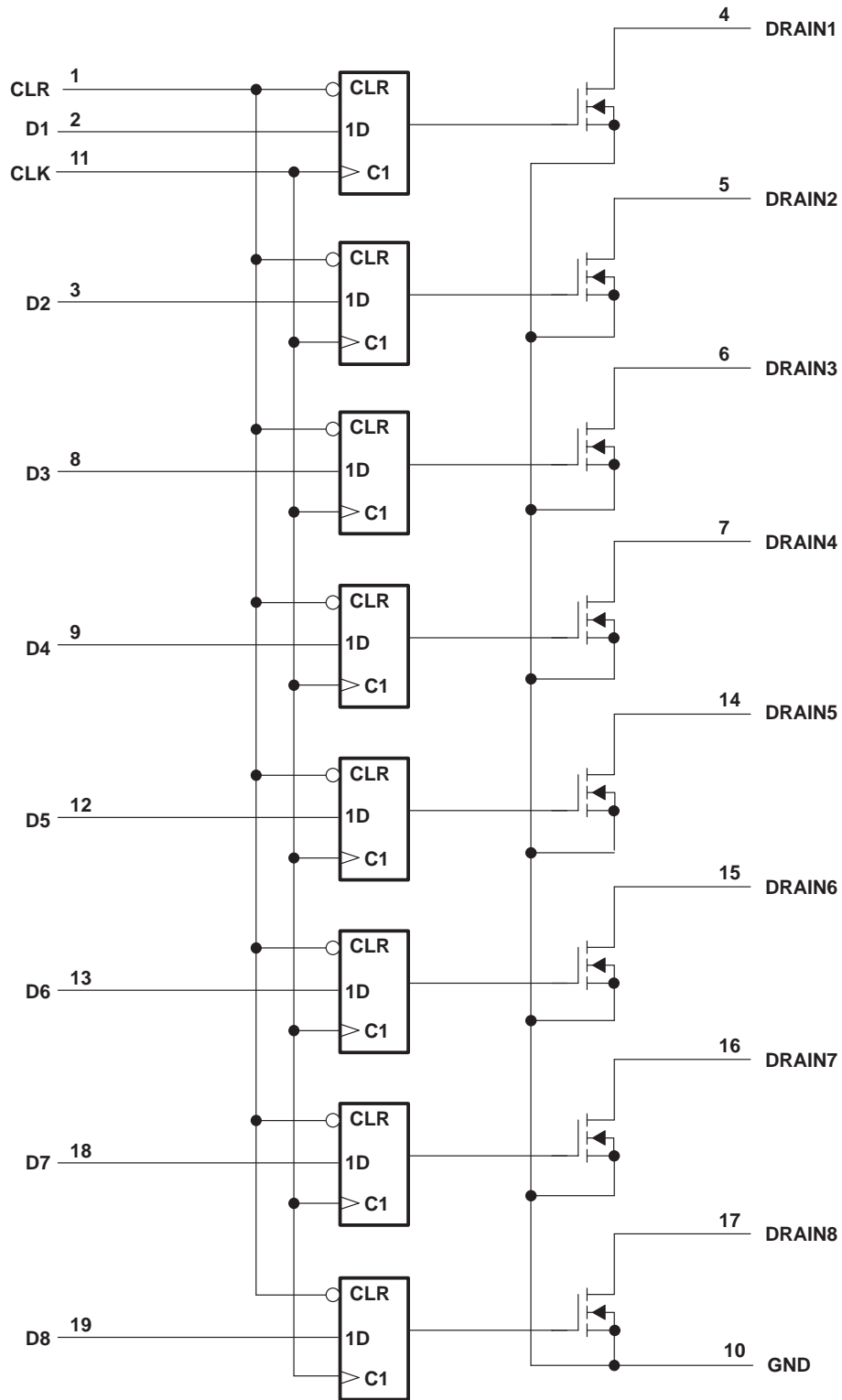
INPUTS			OUTPUT
$\overline{CLR}$	CLK	D	DRAIN
L	X	X	H
H	$\uparrow$	H	L
H	$\uparrow$	L	H
H	L	X	Latched

H = high level, L = low level, X = irrelevant

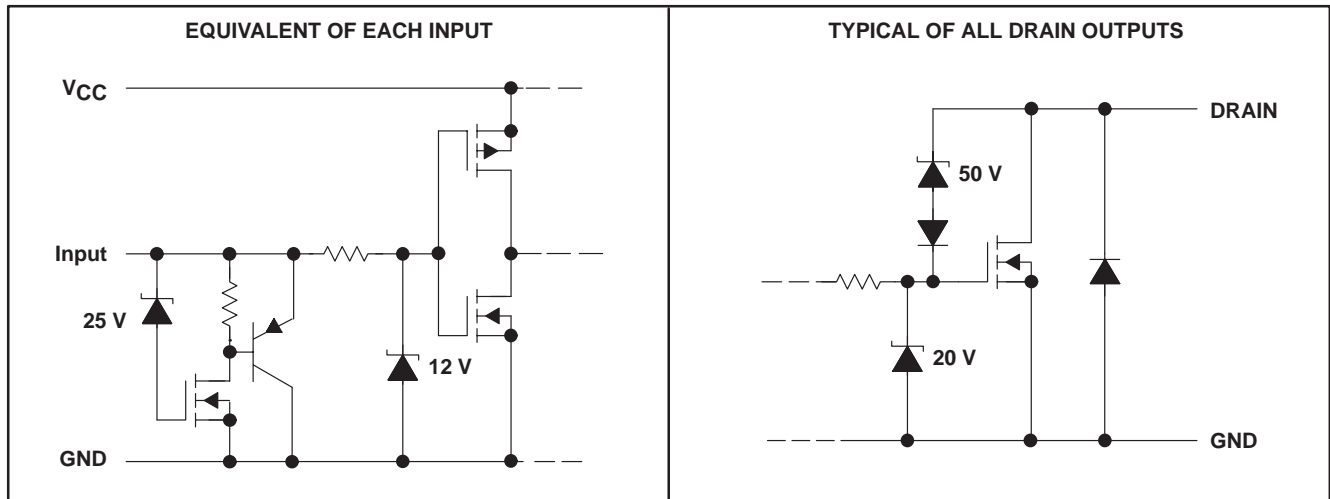
# TPIC6B273 POWER LOGIC OCTAL D-TYPE LATCH

SLIS031 – APRIL 1994 – REVISED JULY 1995

## logic diagram (positive logic)



schematic of inputs and outputs



absolute maximum ratings over recommended operating case temperature range (unless otherwise noted)†

Logic supply voltage, $V_{CC}$ (see Note 1)	7 V
Logic input voltage range, $V_I$	-0.3 V to 7 V
Power DMOS drain-to-source voltage, $V_{DS}$ (see Note 2)	50 V
Continuous source-to-drain diode anode current	500 mA
Pulsed source-to-drain diode anode current (see Note 3)	1 A
Pulsed drain current, each output, all outputs on, $I_D$ , $T_C = 25^\circ\text{C}$ (see Note 3)	500 mA
Continuous drain current, each output, all outputs on, $I_D$ , $T_C = 25^\circ\text{C}$	150 mA
Peak drain current single output, $I_{DM}$ , $T_C = 25^\circ\text{C}$ (see Note 3)	500 mA
Single-pulse avalanche energy, $E_{AS}$ (see Figure 4)	30 mJ
Avalanche current, $I_{AS}$ (see Note 4)	500 mA
Continuous total dissipation	See Dissipation Rating Table
Operating virtual junction temperature range, $T_J$	-40°C to 150°C
Operating case temperature range, $T_C$	-40°C to 125°C
Storage temperature range	-65°C to 150°C
Lead temperature 1,6 mm (1/16 inch) from case for 10 seconds	260°C

† Stresses beyond those listed under “absolute maximum ratings” may cause permanent damage to the device. These are stress ratings only, and functional operation of the device at these or any other conditions beyond those indicated under “recommended operating conditions” is not implied. Exposure to absolute-maximum-rated conditions for extended periods may affect device reliability.

- NOTES:
- All voltage values are with respect to GND.
  - Each power DMOS source is internally connected to GND.
  - Pulse duration  $\leq 100 \mu\text{s}$  and duty cycle  $\leq 2\%$ .
  - DRAIN supply voltage = 15 V, starting junction temperature ( $T_{JS}$ ) = 25°C,  $L = 200 \text{ mH}$ ,  $I_{AS} = 0.5 \text{ A}$  (see Figure 4).

DISSIPATION RATING TABLE

PACKAGE	$T_C \leq 25^\circ\text{C}$ POWER RATING	DERATING FACTOR ABOVE $T_C = 25^\circ\text{C}$	$T_C = 125^\circ\text{C}$ POWER RATING
DW	1389 mW	11.1 mW/°C	278 mW
N	1050 mW	10.5 mW/°C	263 mW

# TPIC6B273

## POWER LOGIC OCTAL D-TYPE LATCH

SLIS031 – APRIL 1994 – REVISED JULY 1995

### recommended operating conditions

	MIN	MAX	UNIT
Logic supply voltage, $V_{CC}$	4.5	5.5	V
High-level input voltage, $V_{IH}$	0.85 $V_{CC}$		V
Low-level input voltage, $V_{IL}$	0.15 $V_{CC}$		V
Pulsed drain output current, $T_C = 25^\circ\text{C}$ , $V_{CC} = 5\text{ V}$ (see Notes 3 and 5)	-500	500	mA
Setup time, D high before $\text{CLK}\uparrow$ , $t_{SU}$ (see Figure 2)	20		ns
Hold time, D high after $\text{CLK}\uparrow$ , $t_H$ (see Figure 2)	20		ns
Pulse duration, $t_W$ (see Figure 2)	40		ns
Operating case temperature, $T_C$	-40	125	$^\circ\text{C}$

### electrical characteristics, $V_{CC} = 5\text{ V}$ , $T_C = 25^\circ\text{C}$ (unless otherwise noted)

PARAMETER	TEST CONDITIONS	MIN	TYP	MAX	UNIT
$V_{(BR)DSX}$ Drain-to-source breakdown voltage	$I_D = 1\text{ mA}$	50			V
$V_{SD}$ Source-to-drain diode forward voltage	$I_F = 100\text{ mA}$		0.85	1	V
$I_{IH}$ High-level input current	$V_{CC} = 5.5\text{ V}$ , $V_I = V_{CC}$			1	$\mu\text{A}$
$I_{IL}$ Low-level input current	$V_{CC} = 5.5\text{ V}$ , $V_I = 0$			-1	$\mu\text{A}$
$I_{CC}$ Logic supply current	$V_{CC} = 5.5\text{ V}$	All outputs off	20	100	$\mu\text{A}$
		All outputs on	150	300	
$I_N$ Nominal current	$V_{DS(on)} = 0.5\text{ V}$ , $I_N = I_D$ , $T_C = 85^\circ\text{C}$ , See Notes 5, 6, and 7		90		mA
$I_{DSX}$ Off-state drain current	$V_{DS} = 40\text{ V}$ , $V_{CC} = 5.5\text{ V}$		0.1	5	$\mu\text{A}$
	$V_{DS} = 40\text{ V}$ , $V_{CC} = 5.5\text{ V}$ , $T_C = 125^\circ\text{C}$		0.15	8	
$r_{DS(on)}$ Static drain-to-source on-state resistance	$I_D = 100\text{ mA}$ , $V_{CC} = 4.5\text{ V}$	See Notes 5 and 6 and Figures 6 and 7	4.2	5.7	$\Omega$
	$I_D = 100\text{ mA}$ , $V_{CC} = 4.5\text{ V}$ , $T_C = 125^\circ\text{C}$		6.8	9.5	
	$I_D = 350\text{ mA}$ , $V_{CC} = 4.5\text{ V}$		5.5	8	

### switching characteristics, $V_{CC} = 5\text{ V}$ , $T_C = 25^\circ\text{C}$

PARAMETER	TEST CONDITIONS	MIN	TYP	MAX	UNIT
$t_{PLH}$ Propagation delay time, low-to-high-level output from CLK	$C_L = 30\text{ pF}$ , $I_D = 100\text{ mA}$ , See Figures 1, 2, and 8		150		ns
$t_{PHL}$ Propagation delay time, high-to-low-level output from CLK			90		ns
$t_r$ Rise time, drain output			200		ns
$t_f$ Fall time, drain output			200		ns
$t_a$ Reverse-recovery-current rise time	$I_F = 100\text{ mA}$ , $di/dt = 20\text{ A}/\mu\text{s}$ , See Notes 5 and 6 and Figure 3		100		ns
$t_{rr}$ Reverse-recovery time			300		

- NOTES: 3. Pulse duration  $\leq 100\ \mu\text{s}$  and duty cycle  $\leq 2\%$ .  
 5. Technique should limit  $T_J - T_C$  to  $10^\circ\text{C}$  maximum.  
 6. These parameters are measured with voltage-sensing contacts separate from the current-carrying contacts.  
 7. Nominal current is defined for a voltage comparison between devices from different sources. It is the current that produces a voltage drop of 0.5 V at  $T_C = 85^\circ\text{C}$ .



thermal resistance

PARAMETER		TEST CONDITIONS	MIN	MAX	UNIT
R <sub>θJA</sub>	Thermal resistance, junction-to-ambient	DW package		90	°C/W
		N package	All 8 outputs with equal power	95	

PARAMETER MEASUREMENT INFORMATION

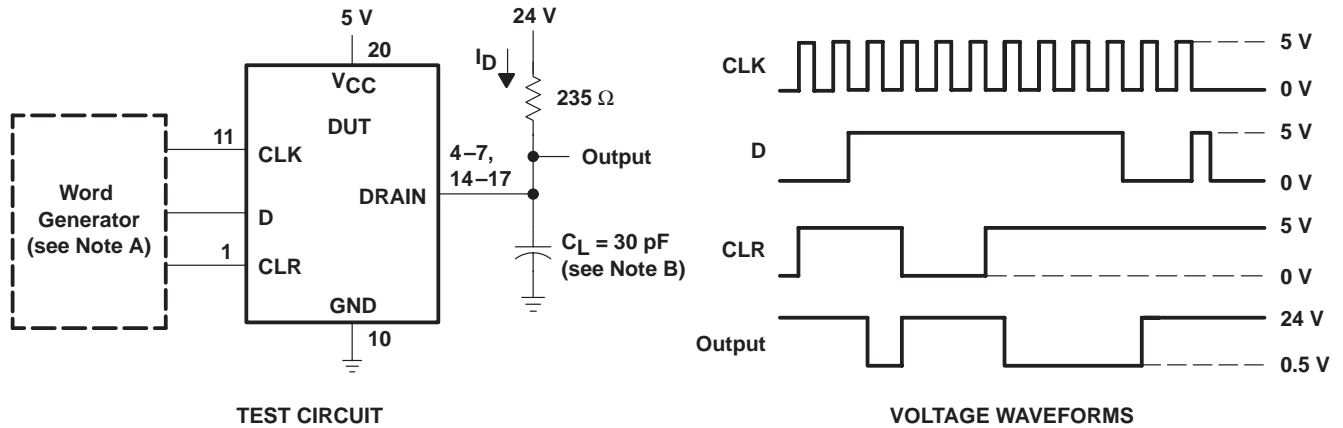


Figure 1. Resistive-Load Test Circuit and Voltage Waveforms

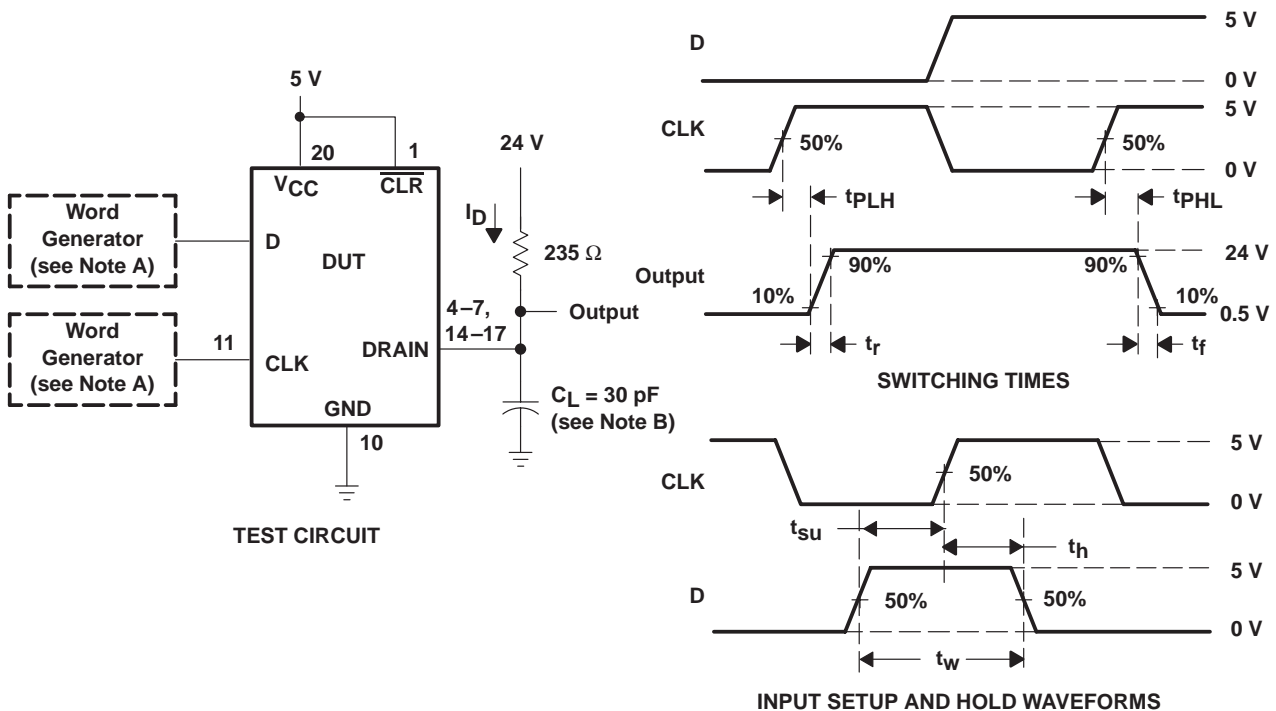


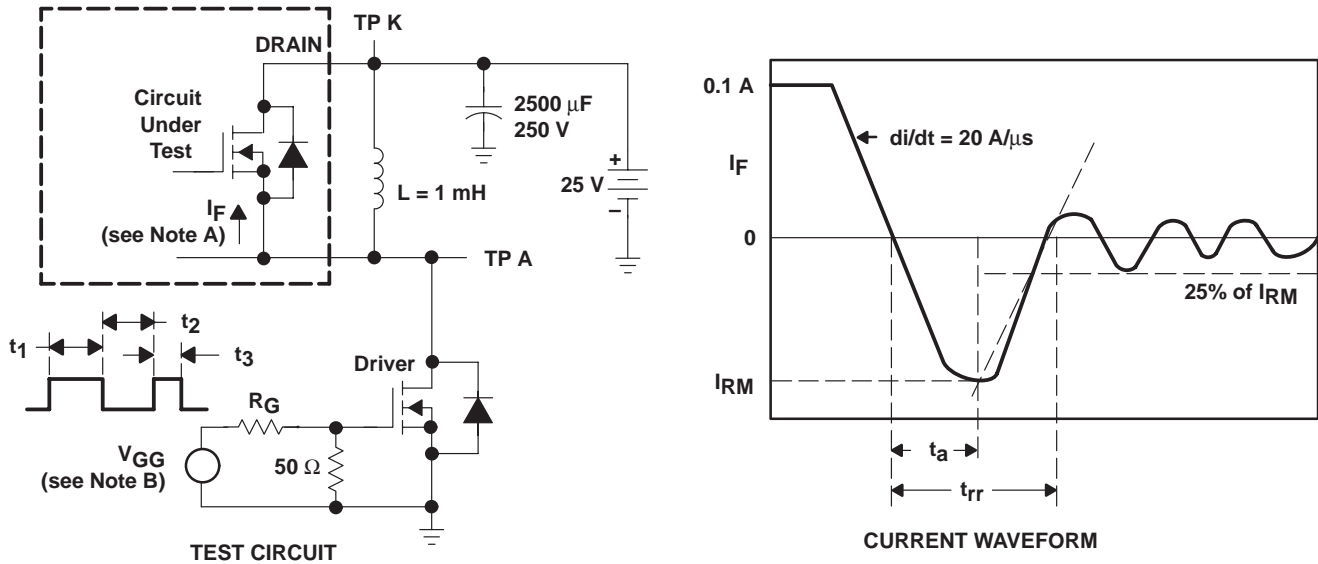
Figure 2. Test Circuit, Switching Times, and Voltage Waveforms

- NOTES: A. The word generator has the following characteristics:  $t_r \leq 10$  ns,  $t_f \leq 10$  ns,  $t_w = 300$  ns, pulsed repetition rate (PRR) = 5 KHz,  $Z_O = 50 \Omega$ .  
B.  $C_L$  includes probe and jig capacitance.

# TPIC6B273 POWER LOGIC OCTAL D-TYPE LATCH

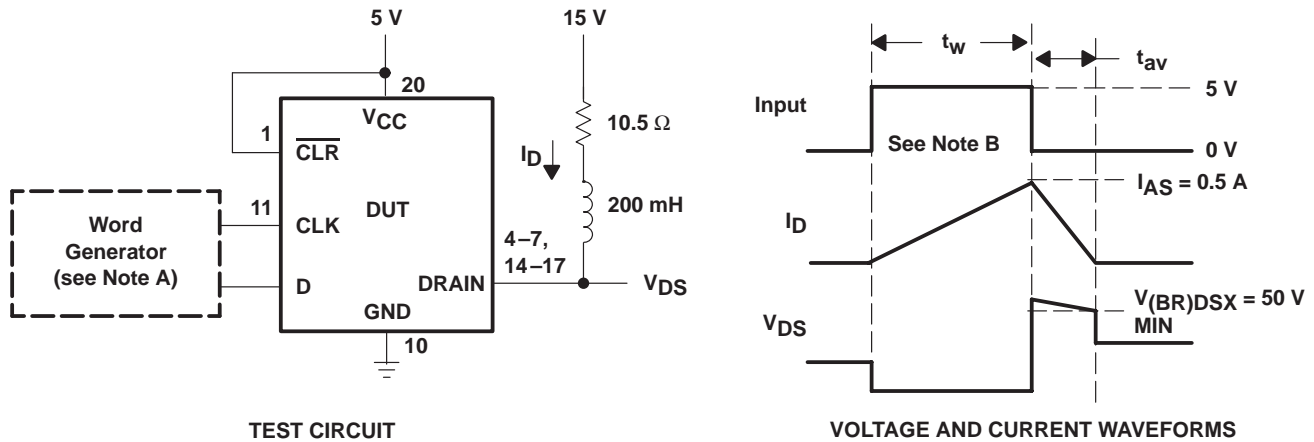
SLIS031 – APRIL 1994 – REVISED JULY 1995

## PARAMETER MEASUREMENT INFORMATION



- NOTES: A. The DRAIN terminal under test is connected to the TP K test point. All other terminals are connected together and connected to the TP A test point.  
 B. The  $V_{GG}$  amplitude and  $R_G$  are adjusted for  $di/dt = 20 \text{ A}/\mu\text{s}$ . A  $V_{GG}$  double-pulse train is used to set  $I_F = 0.1 \text{ A}$ , where  $t_1 = 10 \mu\text{s}$ ,  $t_2 = 7 \mu\text{s}$ , and  $t_3 = 3 \mu\text{s}$ .

Figure 3. Reverse-Recovery-Current Test Circuit and Waveforms of Source-to-Drain Diode



- NOTES: A. The word generator has the following characteristics:  $t_r \leq 10 \text{ ns}$ ,  $t_f \leq 10 \text{ ns}$ ,  $Z_O = 50 \Omega$ .  
 B. Input pulse duration,  $t_w$ , is increased until peak current  $I_{AS} = 0.5 \text{ A}$ .  
 Energy test is defined as  $E_{AS} = I_{AS} \times V(BR)_{DSX} \times t_{av}/2 = 30 \text{ mJ}$ .

Figure 4. Single-Pulse Avalanche Energy Test Circuit and Waveforms

TYPICAL CHARACTERISTICS

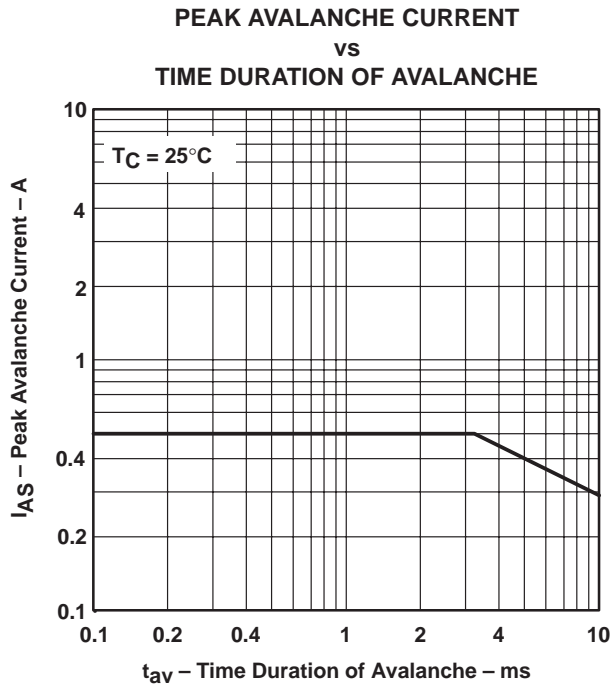


Figure 5

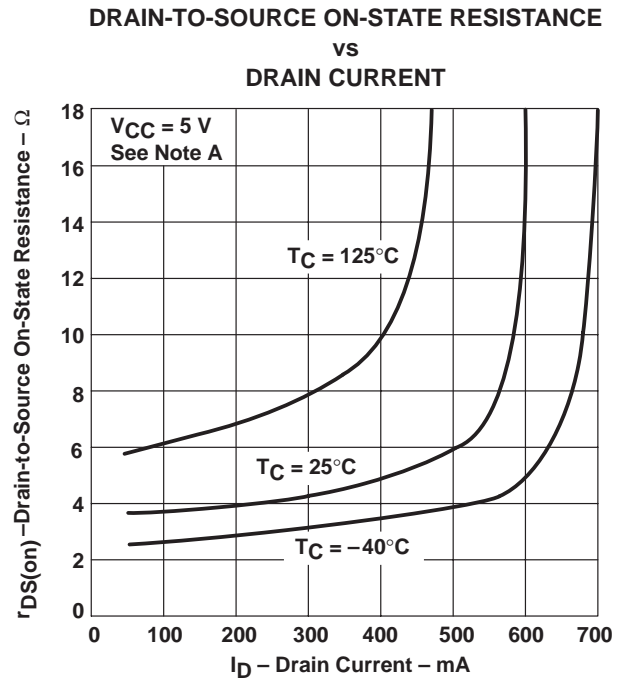


Figure 6

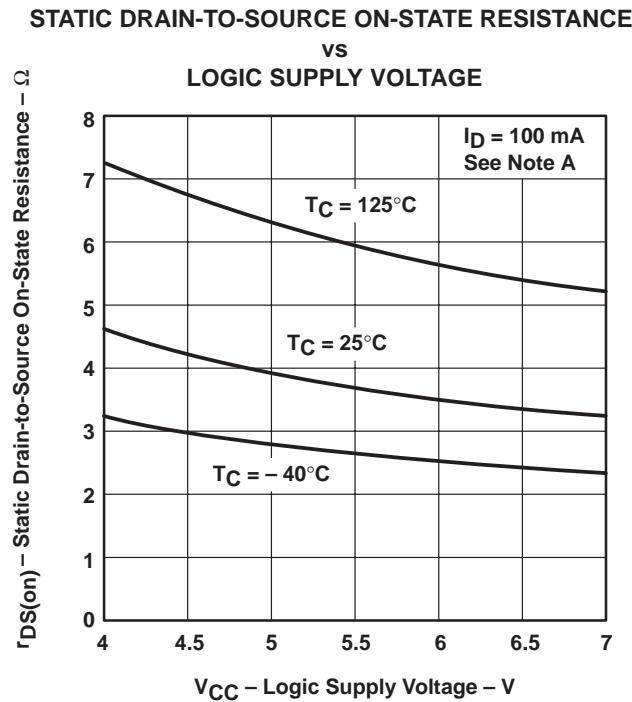


Figure 7

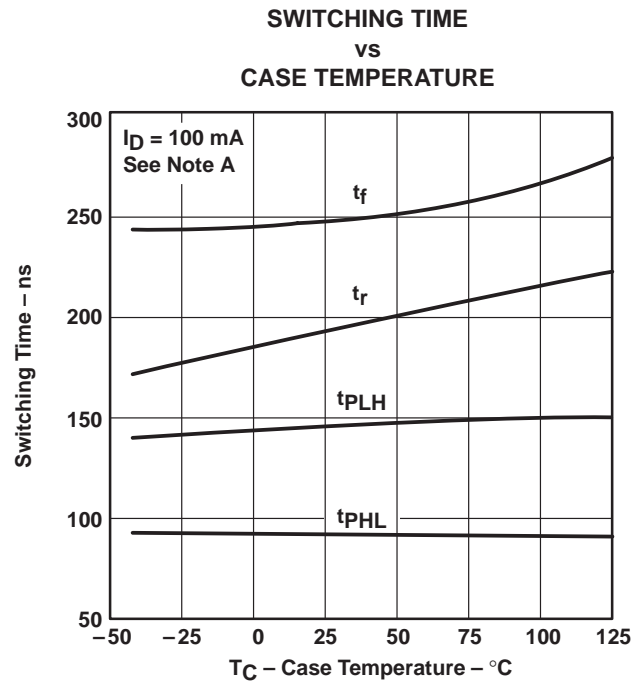


Figure 8

NOTE C: Technique should limit  $T_J - T_C$  to  $10^\circ\text{C}$  maximum.

# TPIC6B273 POWER LOGIC OCTAL D-TYPE LATCH

SLIS031 – APRIL 1994 – REVISED JULY 1995

## THERMAL INFORMATION

MAXIMUM CONTINUOUS  
DRAIN CURRENT OF EACH OUTPUT  
vs  
NUMBER OF OUTPUTS CONDUCTING  
SIMULTANEOUSLY

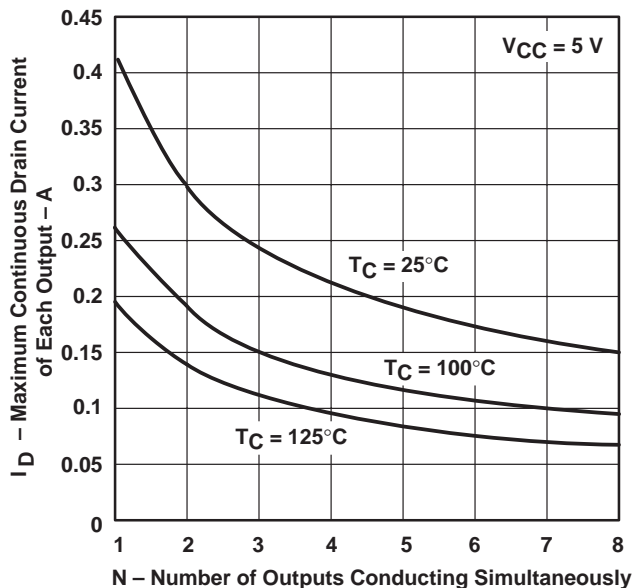


Figure 9

MAXIMUM PEAK DRAIN CURRENT  
OF EACH OUTPUT  
vs  
NUMBER OF OUTPUTS CONDUCTING  
SIMULTANEOUSLY

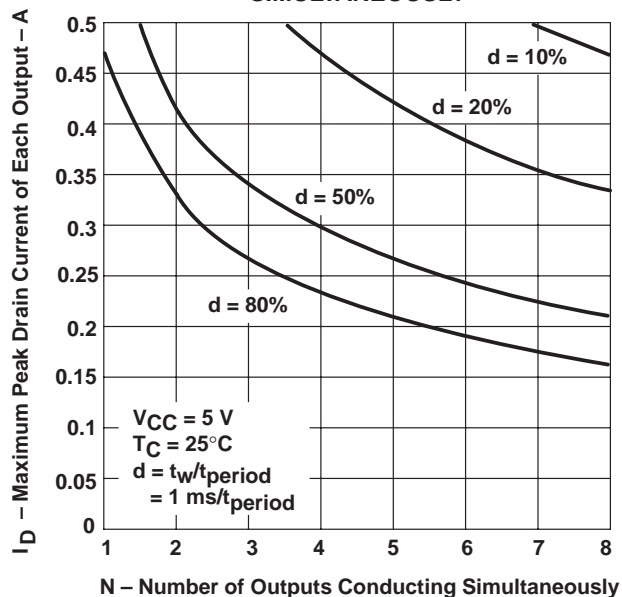


Figure 10



**PACKAGING INFORMATION**

Orderable Device	Status <sup>(1)</sup>	Package Type	Package Drawing	Pins	Package Qty	Eco Plan <sup>(2)</sup>	Lead/Ball Finish	MSL Peak Temp <sup>(3)</sup>
TPIC6B273DW	ACTIVE	SOIC	DW	20	25	TBD	CU NIPDAU	Level-1-220C-UNLIM
TPIC6B273DWG4	ACTIVE	SOIC	DW	20	25	Green (RoHS & no Sb/Br)	CU NIPDAU	Level-1-260C-UNLIM
TPIC6B273DWR	ACTIVE	SOIC	DW	20	2000	TBD	CU NIPDAU	Level-1-220C-UNLIM
TPIC6B273DWRG4	ACTIVE	SOIC	DW	20	2000	Green (RoHS & no Sb/Br)	CU NIPDAU	Level-1-260C-UNLIM
TPIC6B273N	ACTIVE	PDIP	N	20	20	Pb-Free (RoHS)	CU NIPDAU	N / A for Pkg Type

<sup>(1)</sup> The marketing status values are defined as follows:

**ACTIVE:** Product device recommended for new designs.

**LIFEBUY:** TI has announced that the device will be discontinued, and a lifetime-buy period is in effect.

**NRND:** Not recommended for new designs. Device is in production to support existing customers, but TI does not recommend using this part in a new design.

**PREVIEW:** Device has been announced but is not in production. Samples may or may not be available.

**OBSOLETE:** TI has discontinued the production of the device.

<sup>(2)</sup> Eco Plan - The planned eco-friendly classification: Pb-Free (RoHS), Pb-Free (RoHS Exempt), or Green (RoHS & no Sb/Br) - please check <http://www.ti.com/productcontent> for the latest availability information and additional product content details.

**TBD:** The Pb-Free/Green conversion plan has not been defined.

**Pb-Free (RoHS):** TI's terms "Lead-Free" or "Pb-Free" mean semiconductor products that are compatible with the current RoHS requirements for all 6 substances, including the requirement that lead not exceed 0.1% by weight in homogeneous materials. Where designed to be soldered at high temperatures, TI Pb-Free products are suitable for use in specified lead-free processes.

**Pb-Free (RoHS Exempt):** This component has a RoHS exemption for either 1) lead-based flip-chip solder bumps used between the die and package, or 2) lead-based die adhesive used between the die and leadframe. The component is otherwise considered Pb-Free (RoHS compatible) as defined above.

**Green (RoHS & no Sb/Br):** TI defines "Green" to mean Pb-Free (RoHS compatible), and free of Bromine (Br) and Antimony (Sb) based flame retardants (Br or Sb do not exceed 0.1% by weight in homogeneous material)

<sup>(3)</sup> MSL, Peak Temp. -- The Moisture Sensitivity Level rating according to the JEDEC industry standard classifications, and peak solder temperature.

**Important Information and Disclaimer:**The information provided on this page represents TI's knowledge and belief as of the date that it is provided. TI bases its knowledge and belief on information provided by third parties, and makes no representation or warranty as to the accuracy of such information. Efforts are underway to better integrate information from third parties. TI has taken and continues to take reasonable steps to provide representative and accurate information but may not have conducted destructive testing or chemical analysis on incoming materials and chemicals. TI and TI suppliers consider certain information to be proprietary, and thus CAS numbers and other limited information may not be available for release.

In no event shall TI's liability arising out of such information exceed the total purchase price of the TI part(s) at issue in this document sold by TI to Customer on an annual basis.

N (R-PDIP-T\*\*)

PLASTIC DUAL-IN-LINE PACKAGE

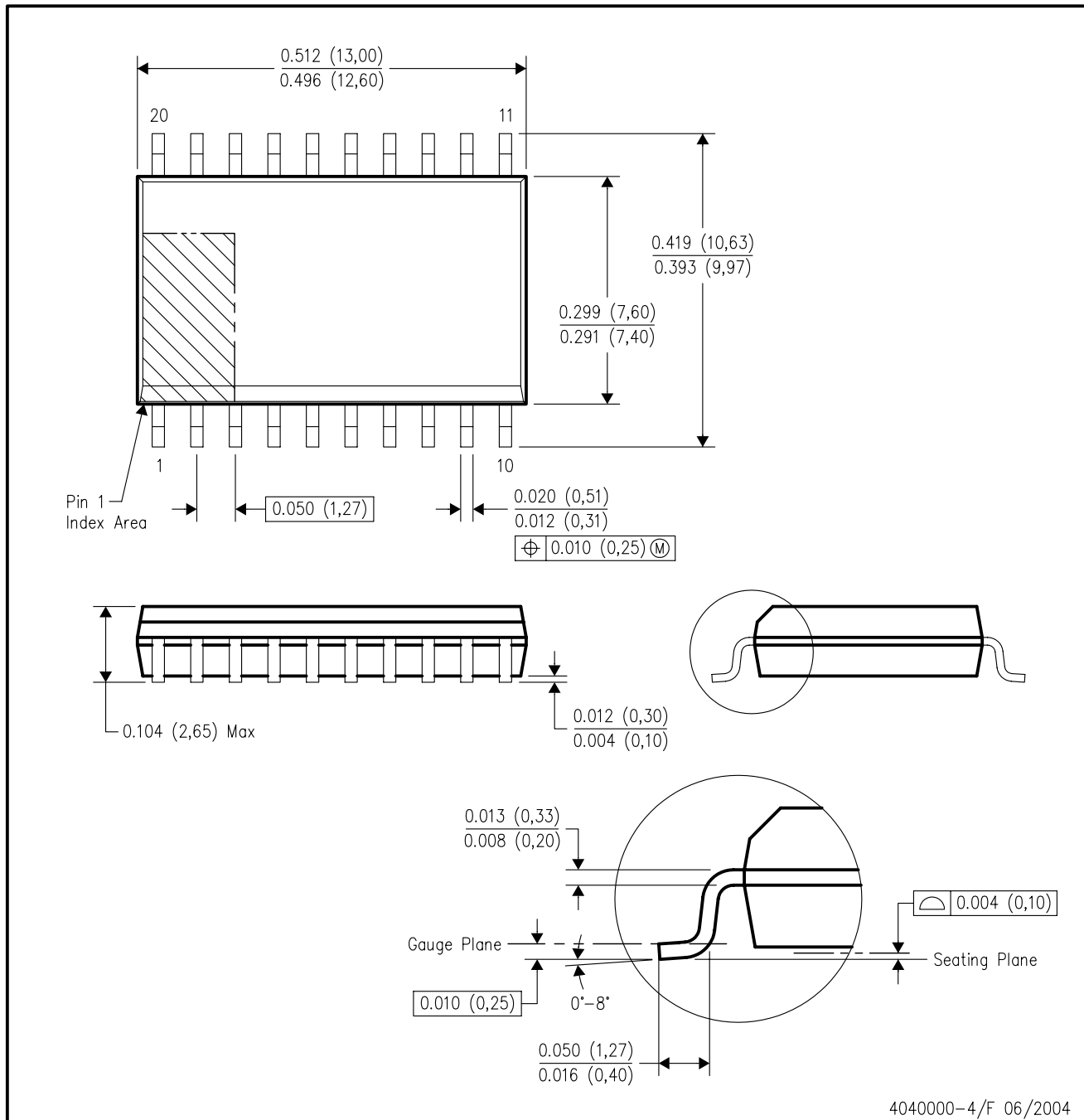
16 PINS SHOWN



- NOTES:
- A. All linear dimensions are in inches (millimeters).
  - B. This drawing is subject to change without notice.
  - $\triangle C$  Falls within JEDEC MS-001, except 18 and 20 pin minimum body length (Dim A).
  - $\triangle D$  The 20 pin end lead shoulder width is a vendor option, either half or full width.

DW (R-PDSO-G20)

PLASTIC SMALL-OUTLINE PACKAGE



- NOTES:
- A. All linear dimensions are in inches (millimeters).
  - B. This drawing is subject to change without notice.
  - C. Body dimensions do not include mold flash or protrusion not to exceed 0.006 (0,15).
  - D. Falls within JEDEC MS-013 variation AC.

## IMPORTANT NOTICE

Texas Instruments Incorporated and its subsidiaries (TI) reserve the right to make corrections, modifications, enhancements, improvements, and other changes to its products and services at any time and to discontinue any product or service without notice. Customers should obtain the latest relevant information before placing orders and should verify that such information is current and complete. All products are sold subject to TI's terms and conditions of sale supplied at the time of order acknowledgment.

TI warrants performance of its hardware products to the specifications applicable at the time of sale in accordance with TI's standard warranty. Testing and other quality control techniques are used to the extent TI deems necessary to support this warranty. Except where mandated by government requirements, testing of all parameters of each product is not necessarily performed.

TI assumes no liability for applications assistance or customer product design. Customers are responsible for their products and applications using TI components. To minimize the risks associated with customer products and applications, customers should provide adequate design and operating safeguards.

TI does not warrant or represent that any license, either express or implied, is granted under any TI patent right, copyright, mask work right, or other TI intellectual property right relating to any combination, machine, or process in which TI products or services are used. Information published by TI regarding third-party products or services does not constitute a license from TI to use such products or services or a warranty or endorsement thereof. Use of such information may require a license from a third party under the patents or other intellectual property of the third party, or a license from TI under the patents or other intellectual property of TI.

Reproduction of information in TI data books or data sheets is permissible only if reproduction is without alteration and is accompanied by all associated warranties, conditions, limitations, and notices. Reproduction of this information with alteration is an unfair and deceptive business practice. TI is not responsible or liable for such altered documentation.

Resale of TI products or services with statements different from or beyond the parameters stated by TI for that product or service voids all express and any implied warranties for the associated TI product or service and is an unfair and deceptive business practice. TI is not responsible or liable for any such statements.

Following are URLs where you can obtain information on other Texas Instruments products and application solutions:

<b>Products</b>		<b>Applications</b>	
Amplifiers	<a href="http://amplifier.ti.com">amplifier.ti.com</a>	Audio	<a href="http://www.ti.com/audio">www.ti.com/audio</a>
Data Converters	<a href="http://dataconverter.ti.com">dataconverter.ti.com</a>	Automotive	<a href="http://www.ti.com/automotive">www.ti.com/automotive</a>
DSP	<a href="http://dsp.ti.com">dsp.ti.com</a>	Broadband	<a href="http://www.ti.com/broadband">www.ti.com/broadband</a>
Interface	<a href="http://interface.ti.com">interface.ti.com</a>	Digital Control	<a href="http://www.ti.com/digitalcontrol">www.ti.com/digitalcontrol</a>
Logic	<a href="http://logic.ti.com">logic.ti.com</a>	Military	<a href="http://www.ti.com/military">www.ti.com/military</a>
Power Mgmt	<a href="http://power.ti.com">power.ti.com</a>	Optical Networking	<a href="http://www.ti.com/opticalnetwork">www.ti.com/opticalnetwork</a>
Microcontrollers	<a href="http://microcontroller.ti.com">microcontroller.ti.com</a>	Security	<a href="http://www.ti.com/security">www.ti.com/security</a>
		Telephony	<a href="http://www.ti.com/telephony">www.ti.com/telephony</a>
		Video & Imaging	<a href="http://www.ti.com/video">www.ti.com/video</a>
		Wireless	<a href="http://www.ti.com/wireless">www.ti.com/wireless</a>

Mailing Address: Texas Instruments  
Post Office Box 655303 Dallas, Texas 75265

Copyright © 2006, Texas Instruments Incorporated