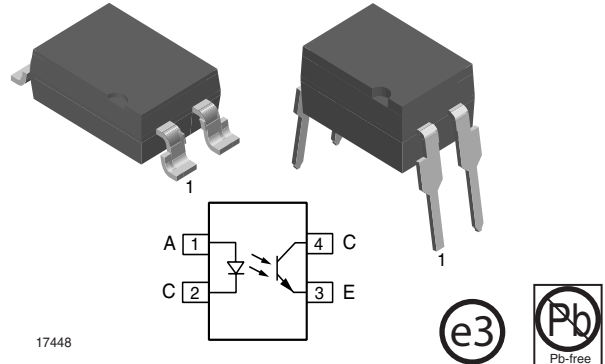


Optocoupler, High Reliability, 5300 V_{RMS}

Features

- Excellent CTR Linearity Depending on Forward Current
- Isolation Test Voltage, 5300 V_{RMS}
- Fast Switching Times
- Low CTR Degradation
- Low Coupling Capacitance
- Lead-free component
- Component in accordance to RoHS 2002/95/EC and WEEE 2002/96/EC



Agency Approvals

- UL1577, File No. E52744 System Code H or J, Double Protection
- DIN EN 60747-5-2 (VDE0884)
DIN EN 60747-5-5 pending
Available with Option 1

Applications

Switchmode power supply
Telecom
Battery powered equipment

Description

The SFH615A (DIP) and SFH6156 (SMD) feature a variety of transfer ratios, low coupling capacitance and high isolation voltage. These couplers have a GaAs infrared diode emitter, which is optically coupled to a silicon planar phototransistor detector, and is incorporated in a plastic DIP-4 or SMD package.

The coupling devices are designed for signal transmission between two electrically separated circuits.

The couplers are end-stackable with 2.54 mm lead spacing.

Creepage and clearance distances of > 8.0 mm are achieved with option 6. This version complies with IEC 60950 (DIN VDE 0805) for reinforced insulation up to an operation voltage of 400 V_{RMS} or DC.

Specifications subject to change.

Order Information

| Part | Remarks |
|---------------|---|
| SFH615A-1 | CTR 40 - 80 %, DIP-4 |
| SFH615A-2 | CTR 63 - 125 %, DIP-4 |
| SFH615A-3 | CTR 100 - 200 %, DIP-4 |
| SFH615A-4 | CTR 160 - 320 %, DIP-4 |
| SFH6156-1 | CTR 40 - 80 %, SMD-4 |
| SFH6156-2 | CTR 63 - 125 %, SMD-4 |
| SFH6156-3 | CTR 100 - 200 %, SMD-4 |
| SFH6156-4 | CTR 160 - 320 %, SMD-4 |
| SFH615A-1X006 | CTR 40 - 80 %, DIP-4 400 mil (option 6) |
| SFH615A-1X007 | CTR 40 - 80 %, SMD-4 (option 7) |
| SFH615A-2X006 | CTR 63 - 125 %, DIP-4 400 mil (option 6) |
| SFH615A-2X007 | CTR 63 - 125 %, SMD-4 (option 7) |
| SFH615A-2X009 | CTR 63 - 125 %, SMD-4 (option 9) |
| SFH615A-3X006 | CTR 100 - 200 %, DIP-4 400 mil (option 6) |
| SFH615A-3X007 | CTR 100 - 200 %, SMD-4 (option 7) |
| SFH615A-3X008 | CTR 100 - 200 %, SMD-4 (option 8) |
| SFH615A-3X009 | CTR 100 - 200 %, SMD-4 (option 9) |
| SFH615A-4X006 | CTR 160 - 320 %, DIP-4 400 mil (option 6) |
| SFH615A-4X007 | CTR 160 - 320 %, SMD-4 (option 7) |
| SFH615A-4X008 | CTR 160 - 320 %, SMD-4 (option 8) |
| SFH615A-4X009 | CTR 160 - 320 %, SMD-4 (option 9) |

For additional information on the available options refer to Option Information.

See TAPE AND REEL Section for 4-pin optocouplers T0 with 90° rotation.

Absolute Maximum Ratings

$T_{amb} = 25\text{ °C}$, unless otherwise specified

Stresses in excess of the absolute Maximum Ratings can cause permanent damage to the device. Functional operation of the device is not implied at these or any other conditions in excess of those given in the operational sections of this document. Exposure to absolute Maximum Rating for extended periods of the time can adversely affect reliability.

Input

| Parameter | Test condition | Symbol | Value | Unit |
|-----------------------|----------------------------|------------|-------|------|
| Reverse voltage | | V_R | 6.0 | V |
| DC Forward current | | I_F | 60 | mA |
| Surge forward current | $t_p \leq 10\ \mu\text{s}$ | I_{FSM} | 2.5 | A |
| Power dissipation | | P_{diss} | 100 | mW |

Output

| Parameter | Test condition | Symbol | Value | Unit |
|---------------------------|---------------------------|------------|-------|------|
| Collector-emitter voltage | | V_{CE} | 70 | V |
| Emitter-collector voltage | | V_{CEO} | 7.0 | V |
| Collector current | | I_C | 50 | mA |
| | $t_p \leq 1.0\ \text{ms}$ | I_C | 100 | mA |
| Power dissipation | | P_{diss} | 150 | mW |

Coupler

| Parameter | Test condition | Symbol | Value | Unit |
|---|--|-----------|----------------|--------------------|
| Isolation test voltage (between emitter and detector, referred to climate DIN 40046, part 2, Nov. 74) | $t = 1.0\ \text{s}$ | V_{ISO} | 5300 | V_{RMS} |
| Creepage | | | ≥ 7.0 | mm |
| Clearance | | | ≥ 7.0 | mm |
| Insulation thickness between emitter and detector | | | ≥ 0.4 | mm |
| Comparative tracking index per DIN IEC 112/VDE 0303, part 1 | | | ≥ 175 | |
| Isolation resistance | $V_{IO} = 500\ \text{V}, T_{amb} = 25\text{ °C}$ | R_{IO} | $\geq 10^{12}$ | Ω |
| | $V_{IO} = 500\ \text{V}, T_{amb} = 100\text{ °C}$ | R_{IO} | $\geq 10^{11}$ | Ω |
| Storage temperature range | | T_{stg} | - 55 to + 150 | $^{\circ}\text{C}$ |
| Ambient temperature range | | T_{amb} | - 55 to + 100 | $^{\circ}\text{C}$ |
| Soldering temperature | max. 10 s, Dip soldering distance to seating plane $\geq 1.5\ \text{mm}$ | T_{sld} | 260 | $^{\circ}\text{C}$ |

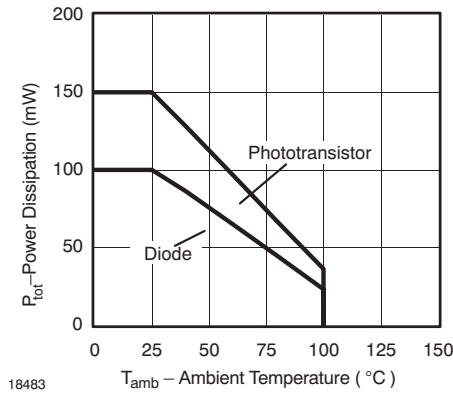


Figure 1. Permissible Power Dissipation vs. Ambient Temperature

Electrical Characteristics

T_{amb} = 25 °C, unless otherwise specified

Minimum and maximum values are testing requirements. Typical values are characteristics of the device and are the result of engineering evaluation. Typical values are for information only and are not part of the testing requirements.

Input

| Parameter | Test condition | Symbol | Min | Typ. | Max | Unit |
|--------------------|-----------------------------------|-------------------|-----|------|------|------|
| Forward voltage | I _F = 60mA | V _F | | 1.25 | 1.65 | V |
| Reverse current | V _R = 6.0 V | I _R | | 0.01 | 10 | μA |
| Capacitance | V _R = 0 V, f = 1.0 MHz | C _O | | 13 | | pF |
| Thermal resistance | | R _{thja} | | 750 | | K/W |

Output

| Parameter | Test condition | Part | Symbol | Min | Typ. | Max | Unit |
|-----------------------------------|--------------------------------------|------------------------|-------------------|-----|------|-----|------|
| Collector-emitter capacitance | V _{CE} = 5.0 V, f = 1.0 MHz | | C _{CE} | | 5.2 | | pF |
| Thermal resistance | | | R _{thja} | | 500 | | K/W |
| Collector-emitter leakage current | V _{CE} = 10 V | SFH615A-1 SFH6156-1 | I _{CEO} | | 2.0 | 50 | nA |
| | | SFH615A-2 SFH6156-2 | I _{CEO} | | 2.0 | 50 | nA |
| | | SFH615A-3 SFH6156-3 | I _{CEO} | | 5.0 | 100 | nA |
| | | SFH615A-4 SFH6156-4 | I _{CEO} | | 5.0 | 100 | nA |

Coupler

| Parameter | Test condition | Symbol | Min | Typ. | Max | Unit |
|--------------------------------------|---|--------------------|-----|------|-----|------|
| Collector-emitter saturation voltage | I _F = 10 mA, I _C = 2.5 mA | V _{CEsat} | | 0.25 | 0.4 | V |
| Coupling capacitance | | C _C | | 0.4 | | pF |

Current Transfer Ratio

| Parameter | Test condition | Part | Symbol | Min | Typ. | Max | Unit |
|-----------|--|------------------------|--------|-----|------|-----|------|
| I_C/I_F | $I_F = 10 \text{ mA}, V_{CE} = 5.0 \text{ V}$ | SFH615A-1 SFH6156-1 | CTR | 40 | | 80 | % |
| | | SFH615A-2 SFH6156-2 | CTR | 63 | | 125 | % |
| | | SFH615A-3 SFH6156-3 | CTR | 100 | | 200 | % |
| | | SFH615A-4 SFH6156-4 | CTR | 160 | | 320 | % |
| | $I_F = 1.0 \text{ mA}, V_{CE} = 5.0 \text{ V}$ | SFH615A-1 SFH6156-1 | CTR | 13 | 30 | | % |
| | | SFH615A-2 SFH6156-2 | CTR | 22 | 45 | | % |
| | | SFH615A-3 SFH6156-3 | CTR | 34 | 70 | | % |
| | | SFH615A-4 SFH6156-4 | CTR | 56 | 90 | | % |

Switching Characteristics

Switching Non-saturated

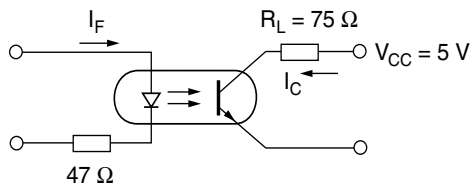
| Parameter | Test condition | Symbol | Min | Typ. | Max | Unit |
|-------------------|--|-----------|-----|------|-----|---------------|
| Rise Time | $I_F = 10 \text{ mA}, V_{CC} = 5.0 \text{ V}, T_A = 25 \text{ }^\circ\text{C}, R_L = 75 \text{ } \Omega$ | t_r | | 2.0 | | μs |
| Fall Time | $I_F = 10 \text{ mA}, V_{CC} = 5.0 \text{ V}, T_A = 25 \text{ }^\circ\text{C}, R_L = 75 \text{ } \Omega$ | t_f | | 2.0 | | μs |
| Turn-on time | $I_F = 10 \text{ mA}, V_{CC} = 5.0 \text{ V}, T_A = 25 \text{ }^\circ\text{C}, R_L = 75 \text{ } \Omega$ | t_{on} | | 3.0 | | μs |
| Turn-off time | $I_F = 10 \text{ mA}, V_{CC} = 5.0 \text{ V}, T_A = 25 \text{ }^\circ\text{C}, R_L = 75 \text{ } \Omega$ | t_{off} | | 2.3 | | μs |
| Cut-off frequency | $I_F = 10 \text{ mA}, V_{CC} = 5.0 \text{ V}, T_A = 25 \text{ }^\circ\text{C}, R_L = 75 \text{ } \Omega$ | f_{ctr} | | 250 | | kHz |

Switching Saturated

| Parameter | Test condition | Part | Symbol | Min | Typ. | Max | Unit |
|--------------|--|------------------------|----------|-----|------|-----|---------------|
| Rise time | $V_{CC} = 5.0 \text{ V}, T_A = 25 \text{ }^\circ\text{C}, R_L = 1 \text{ k}\Omega, I_F = 20 \text{ mA}$ | SFH615A-1 SFH6156-1 | t_r | | 2.0 | | μs |
| | $V_{CC} = 5.0 \text{ V}, T_A = 25 \text{ }^\circ\text{C}, R_L = 1 \text{ k}\Omega, I_F = 10 \text{ mA}$ | SFH615A-2 SFH6156-2 | t_r | | 3.0 | | μs |
| | | SFH615A-3 SFH6156-3 | t_r | | 3.0 | | μs |
| | $V_{CC} = 5.0 \text{ V}, T_A = 25 \text{ }^\circ\text{C}, R_L = 1 \text{ k}\Omega, I_F = 5.0 \text{ mA}$ | SFH615A-4 SFH6156-4 | t_r | | 4.6 | | μs |
| Fall time | $V_{CC} = 5.0 \text{ V}, T_A = 25 \text{ }^\circ\text{C}, R_L = 1 \text{ k}\Omega, I_F = 20 \text{ mA}$ | SFH615A-1 SFH6156-1 | t_f | | 11 | | μs |
| | $V_{CC} = 5.0 \text{ V}, T_A = 25 \text{ }^\circ\text{C}, R_L = 1 \text{ k}\Omega, I_F = 10 \text{ mA}$ | SFH615A-2 SFH6156-2 | t_f | | 14 | | μs |
| | | SFH615A-3 SFH6156-3 | t_f | | 14 | | μs |
| | $V_{CC} = 5.0 \text{ V}, T_A = 25 \text{ }^\circ\text{C}, R_L = 1 \text{ k}\Omega, I_F = 5.0 \text{ mA}$ | SFH615A-4 SFH6156-4 | t_f | | 15 | | μs |
| Turn-on time | $V_{CC} = 5.0 \text{ V}, T_A = 25 \text{ }^\circ\text{C}, R_L = 1 \text{ k}\Omega, I_F = 20 \text{ mA}$ | SFH615A-1 SFH6156-1 | t_{on} | | 3.0 | | μs |
| | $V_{CC} = 5.0 \text{ V}, T_A = 25 \text{ }^\circ\text{C}, R_L = 1 \text{ k}\Omega, I_F = 10 \text{ mA}$ | SFH615A-2 SFH6156-2 | t_{on} | | 4.2 | | μs |
| | | SFH615A-3 SFH6156-3 | t_{on} | | 4.2 | | μs |
| | $V_{CC} = 5.0 \text{ V}, T_A = 25 \text{ }^\circ\text{C}, R_L = 1 \text{ k}\Omega, I_F = 5.0 \text{ mA}$ | SFH615A-4 SFH6156-4 | t_{on} | | 6.0 | | μs |

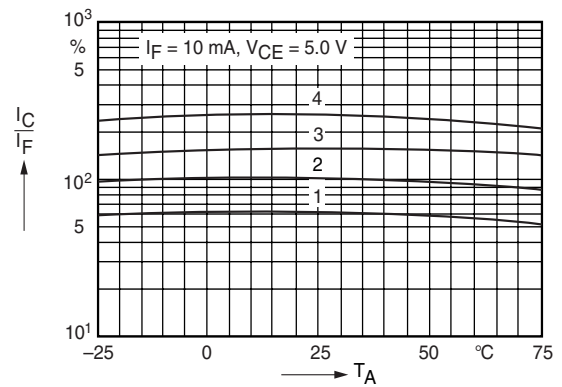
| Parameter | Test condition | Part | Symbol | Min | Typ. | Max | Unit |
|---------------|--|------------------------|-----------|-----|------|-----|---------------|
| Turn-off time | $V_{CC} = 5.0 \text{ V}, T_A = 25 \text{ }^\circ\text{C}, R_L = 1 \text{ k}\Omega, I_F = 20 \text{ mA}$ | SFH615A-1 SFH6156-1 | t_{off} | | 18 | | μs |
| | $V_{CC} = 5.0 \text{ V}, T_A = 25 \text{ }^\circ\text{C}, R_L = 1 \text{ k}\Omega, I_F = 10 \text{ mA}$ | SFH615A-2 SFH6156-2 | t_{off} | | 23 | | μs |
| | | SFH615A-3 SFH6156-3 | t_{off} | | 23 | | μs |
| | $V_{CC} = 5.0 \text{ V}, T_A = 25 \text{ }^\circ\text{C}, R_L = 1 \text{ k}\Omega, I_F = 5.0 \text{ mA}$ | SFH615A-4 SFH6156-4 | t_{off} | | 25 | | μs |

Typical Characteristics ($T_{amb} = 25 \text{ }^\circ\text{C}$ unless otherwise specified)



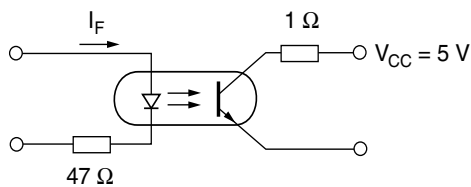
isfh615a_01

Figure 2. Linear Operation (without Saturation)



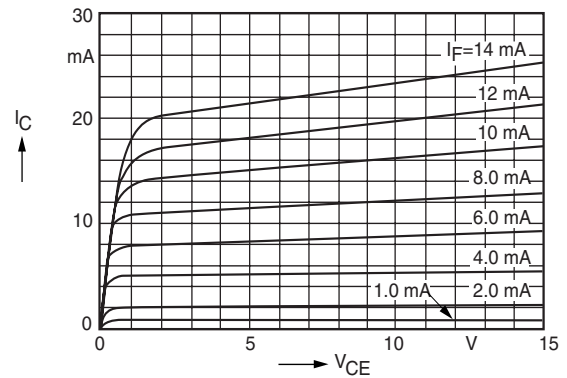
isfh615a_01

Figure 4. Current Transfer Ratio (typical) vs. Temperature



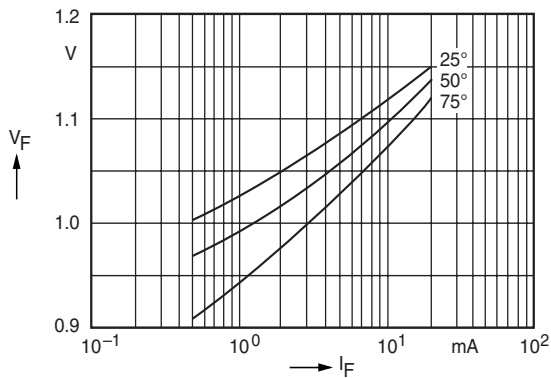
isfh615a_02

Figure 3. Switching Operation (with Saturation)



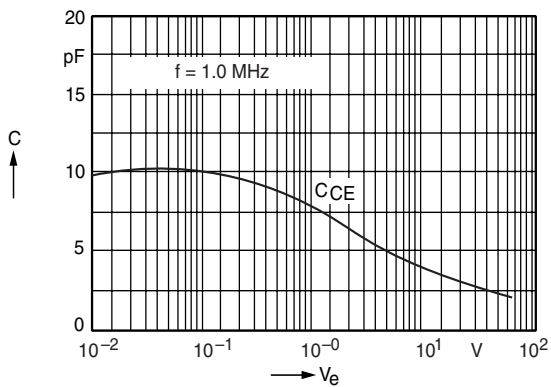
isfh615a_04

Figure 5. Output Characteristics (typ.) Collector Current vs. Collector-Emitter Voltage



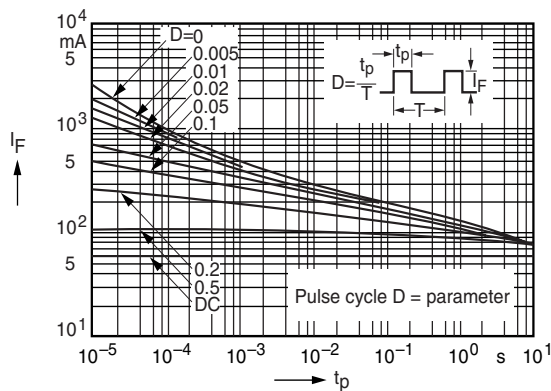
isfh615a_05

Figure 6. Diode Forward Voltage (typ.) vs. Forward Current



isfh615a_06

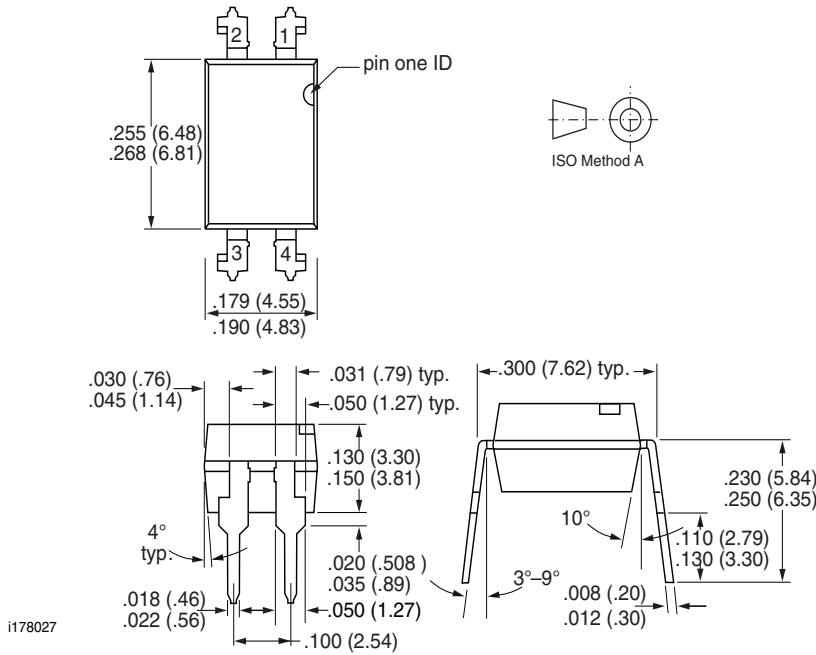
Figure 7. Transistor Capacitance (typ.) vs. Collector-Emitter Voltage



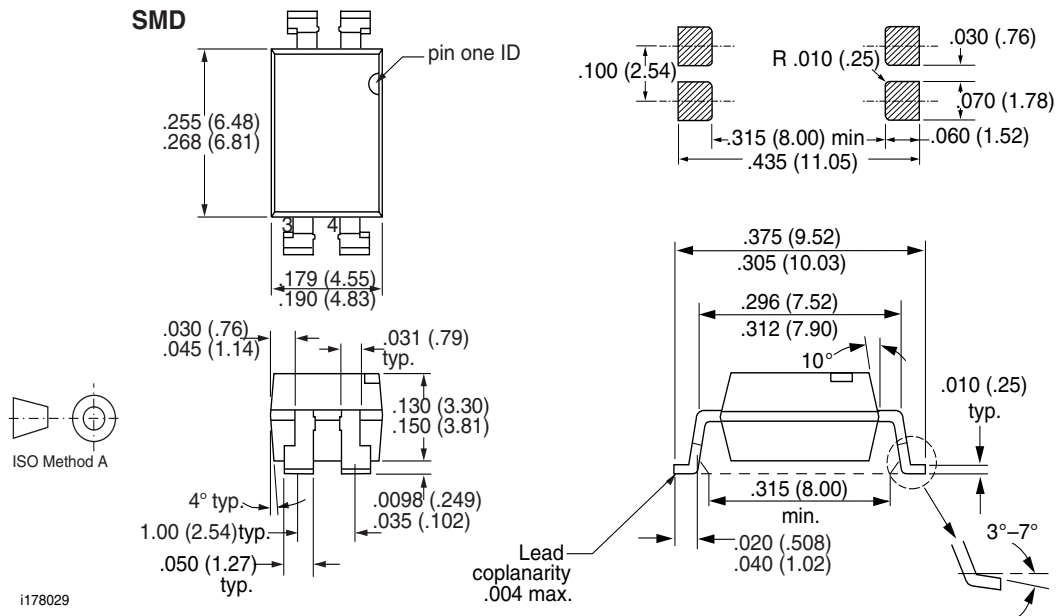
isfh615a_07

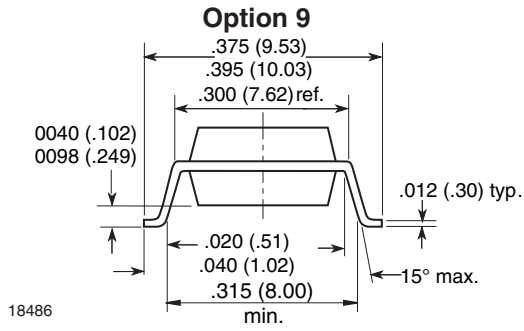
Figure 8. Permissible Pulse Handling Capability Forward Current vs. Pulse Width

Package Dimensions in Inches (mm)



Package Dimensions in Inches (mm)







Ozone Depleting Substances Policy Statement

It is the policy of Vishay Semiconductor GmbH to

1. Meet all present and future national and international statutory requirements.
2. Regularly and continuously improve the performance of our products, processes, distribution and operating systems with respect to their impact on the health and safety of our employees and the public, as well as their impact on the environment.

It is particular concern to control or eliminate releases of those substances into the atmosphere which are known as ozone depleting substances (ODSs).

The Montreal Protocol (1987) and its London Amendments (1990) intend to severely restrict the use of ODSs and forbid their use within the next ten years. Various national and international initiatives are pressing for an earlier ban on these substances.

Vishay Semiconductor GmbH has been able to use its policy of continuous improvements to eliminate the use of ODSs listed in the following documents.

1. Annex A, B and list of transitional substances of the Montreal Protocol and the London Amendments respectively
2. Class I and II ozone depleting substances in the Clean Air Act Amendments of 1990 by the Environmental Protection Agency (EPA) in the USA
3. Council Decision 88/540/EEC and 91/690/EEC Annex A, B and C (transitional substances) respectively.

Vishay Semiconductor GmbH can certify that our semiconductors are not manufactured with ozone depleting substances and do not contain such substances.

We reserve the right to make changes to improve technical design and may do so without further notice.

Parameters can vary in different applications. All operating parameters must be validated for each customer application by the customer. Should the buyer use Vishay Semiconductors products for any unintended or unauthorized application, the buyer shall indemnify Vishay Semiconductors against all claims, costs, damages, and expenses, arising out of, directly or indirectly, any claim of personal damage, injury or death associated with such unintended or unauthorized use.

Vishay Semiconductor GmbH, P.O.B. 3535, D-74025 Heilbronn, Germany
Telephone: 49 (0)7131 67 2831, Fax number: 49 (0)7131 67 2423