

DT Series Elements with Lead Attachment

- Piezoelectric film sensor
- AC Coupled
- Silver Ink Electrodes
- Protective Coating over Electrodes
- Lead Wires Attached with Rivets

The **DT Series** of Piezo film sensors elements are rectangular elements of Piezo film with silver ink screen printed electrodes. They are available in a variety of different sizes and thicknesses. Lead attachment is accomplished using a riveted lug going to 12" (300 mm) of 28 AWG wire.

The DT film element produces more than 10 millivolts per micro-strain. The capacitance is proportional to the area and inversely proportional to the thickness of the element.

The DT elements are supplied with a thin protective coating over the active electrode area to prevent oxidation to the top surface of the silver ink.

FEATURES

- Minimum Impedance: 1 MΩ
- Preferred Impedance: 10 MΩ and higher
- Output Voltage: 10 mV to 100V depending on Force and Circuit Impedance
- Storage Temperature: -40°C to +70°C [-40°F to 160°F]
- Operating Temperature: 0°C to +70°C[32°F to 160°F]

APPLICATIONS

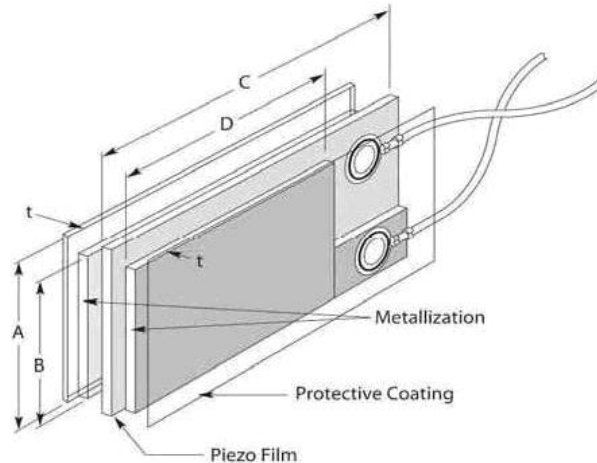
- Sensing Direct Contact Force
- Recording Time of an Event
- Counting Number of Impact Events
- Measuring Impact Related Events



typical piezo properties

Symbol	Parameter	PVDF	Units
t	Thickness	9, 28, 52, 110	μm
d ₃₁	Piezo Strain Constant	23	(10 ⁻¹²)C/N
d ₃₃		-33	
g ₃₁	Piezo Stress constant	216	(10 ⁻³)Vm/N
g ₃₃		-330	
k ₃₁	Electromechanical Coupling Factor	12%	
k _t		14%	
C	Capacitance	380 for 28μm	pF/cm ² . @ 1KHz
Y	Young's Modulus	2-4	10 ⁹ N/m ²
V ₀	Speed of Sound	2.2	10 ³ m/s in thickness direction

DIMENSION in INCHES (mm)



Model Number	Part Number	Film Thickness	A Film	B Electrode	C Film	D Electrode	Total Thickness (μm)	Cap (nF)
DT1-028K/L w/rivets	1-1002908-0	28 μm	.64 (16)	.484 (12)	1.63 (41)	1.19 (30)	40	1.38
DT1-052K/L w/rivets	2-1002908-0	52 μm	.64 (16)	.484 (12)	1.63 (41)	1.19 (30)	64	.740
DT2-028K/L w/rivets	1-1003744-0	28 μm	.64 (16)	.484 (12)	2.86 (73)	2.42 (62)	40	2.78
DT2-052K/L w/rivets	2-1003744-0	52 μm	.64 (16)	.484 (12)	2.86 (73)	2.42 (62)	64	1.44
DT4-028K/L w/rivets	1-1002150-0	28 μm	.86 (22)	.740 (19)	6.72 (171)	6.72 (171)	40	11.00
DT4-052K/L w/rivets	2-1002150-0	52 μm	.86 (22)	.740 (19)	6.72 (171)	6.72 (171)	64	5.70

The information in this sheet has been carefully reviewed and is believed to be accurate; however, no responsibility is assumed for inaccuracies. Furthermore, this information does not convey to the purchaser of such devices any license under the patent rights to the manufacturer. Measurement Specialties, Inc. reserves the right to make changes without further notice to any product herein. Measurement Specialties, Inc. makes no warranty, representation or guarantee regarding the suitability of its product for any particular purpose, nor does Measurement Specialties, Inc. assume any liability arising out of the application or use of any product or circuit and specifically disclaims any and all liability, including without limitation consequential or incidental damages. Typical parameters can and do vary in different applications. All operating parameters must be validated for each customer application by customer's technical experts. Measurement Specialties, Inc. does not convey any license under its patent rights nor the rights of others.

ordering information

North America

Measurement Specialties, Inc.
1000 Lucas Way
Hampton, VA 23666
Sales and Customer Service
Tel: +1-800-745-8008 or
+1-757-766-1500
Fax: +1-757-766-4297
Technical Support
Email: piezo@meas-spec.com

Europe

MEAS Deutschland GmbH
Hauert 13
44227 Dortmund
Germany
Sales and Customer Service
Tel: +49 (0)231 9740 21
Technical Support
Tel: +49 (0)6074 862822
Email: piezoeurope@meas-spec.com

Asia

Measurement Specialties (China), Ltd.
No. 26 Langshan Road
Shenzhen High-Tech Park (North)
Nanshan District
Shenzhen, China 518107
Sales and Customer Service
Tel: +86 755 3330 5088
Technical Support
Email: piezo@meas-spec.com

Mouser Electronics

Authorized Distributor

Click to View Pricing, Inventory, Delivery & Lifecycle Information:

[TE Connectivity:](#)

[1-1002908-0](#) [1-1002150-0](#) [2-1003744-0](#) [2-1002150-0](#)