

# Service Manual

**ViewSonic VA902-3**

**VA902b-3**

**Model No. VS10715**

**19" Color TFT LCD Display**

**Datasheet.Live**

(VA902-3\_VA902b-3\_SM Rev. 1a Jun. 2006)

ViewSonic 381 Brea Canyon Road, Walnut, California 91789 USA - (800) 888-8583

**Copyright**

Copyright © 2006 by ViewSonic Corporation. All rights reserved. No part of this publication may be reproduced, transmitted, transcribed, stored in a retrieval system, or translated into any language or computer language, in any form or by any means, electronic, mechanical, magnetic, optical, chemical, manual or otherwise, without the prior written permission of ViewSonic Corporation.

**Disclaimer**

ViewSonic makes no representations or warranties, either expressed or implied, with respect to the contents hereof and specifically disclaims any warranty of merchantability or fitness for any particular purpose. Further, ViewSonic reserves the right to revise this publication and to make changes from time to time in the contents hereof without obligation of ViewSonic to notify any person of such revision or changes.

**Trademarks**

Opt quest is a registered trademark of ViewSonic Corporation.

ViewSonic is a registered trademark of ViewSonic Corporation.

All other trademarks used within this document are the property of their respective owners.

# Revision History

Revision	SM Editing Date	ECR Number	Description of Changes	Editor
1a	06/29/2006		Initial Release	J. Chang

## TABLE OF CONTENTS

<b>1. Precautions and Safety Notices</b>	<b>1</b>
<b>2. Specification</b>	<b>4</b>
<b>3. Front Panel Function Control Description</b>	<b>7</b>
<b>4. Circuit Description</b>	<b>14</b>
<b>5. Adjustment Procedure</b>	<b>18</b>
<b>6. Troubleshooting Flow Chart</b>	<b>40</b>
<b>7. Recommended Spare Parts List</b>	<b>43</b>
<b>8. Exploded Diagram and Exploded Parts List</b>	<b>53</b>
<b>9. Block Diagram</b>	<b>58</b>
<b>10. Schematic Diagrams</b>	<b>59</b>
<b>11. PCB Layout Diagrams</b>	<b>67</b>

# 1. Precautions and Safety Notices

---

## 1. Appropriate Operation

- (1) Turn off the product before cleaning.
- (2) Use only a dry soft cloth when cleaning the LCD panel surface.
- (3) Use a soft cloth soaked with mild detergent to clean the display housing.
- (4) Disconnect the power plug from AC outlet if the product is not used for a long period of time.
- (5) If smoke, abnormal noise, or strange odor is present, immediately switch the LCD display off.
- (6) Do not touch the LCD panel surface with sharp or hard objects.
- (7) Do not place heavy objects on the LCD display, video cable, or power cord.
- (8) Do not use abrasive cleaners, waxes or solvents for your cleaning.
- (9) Do not operate the product under the following conditions:
  - Extremely hot, cold or humid environment.
  - Areas susceptible to excessive dust and dirt.
  - Near any appliance generating a strong magnetic field.
  - Place in direct sunlight.

## 2. Caution

No modification of any circuit should be attempted. Service work should only be performed after you are thoroughly familiar with all of the following safety checks and servicing guidelines.

## 3. Safety Check

Care should be taken while servicing this LCD display. Because of the high voltage used in the inverter circuit, the voltage is exposed in such areas as the associated transformer circuits.

## 4. Power Supply Requirements

The external AC power operating range shall be from 90 to 264Vac

## 5. LCD Module Handling Precautions







### 5.1. Handling Precautions




- (1) Since front polarizer is easily damaged, pay attention not to scratch it.
- (2) Be sure to turn off power supply when inserting or disconnecting from input connector.
- (3) Wipe off water drop immediately. Long contact with water may cause discoloration or spots.
- (4) When the panel surface is soiled, wipe it with absorbent cotton or other soft cloth.
- (5) Since the panel is made of glass, it may break or crack if dropped or bumped on hard surface.
- (6) Since CMOS LSI is used in this module, take care of static electricity and insure human earth when handling.
- (7) Do not open nor modify the Module Assembly.
- (8) Do not press the reflector sheet at the back of the module to any directions.
- (9) In case if a Module has to be put back into the packing container slot after once it was taken out from the container, do not press the center of the CCFL Reflector edge. Instead, press at the far ends of the CFL Reflector edge softly. Otherwise the TFT Module may be damaged.
- (10) At the insertion or removal of the Signal Interface Connector, be sure not to rotate nor tilt the Interface Connector of the TFT Module.
- (11) After installation of the TFT Module into an enclosure (LCD monitor housing, for example), do not twist nor bend the TFT Module even momentary. At designing the enclosure, it should be taken into consideration that no bending/twisting forces are applied to the TFT Module from outside. Otherwise the TFT Module may be damaged.
- (12) Cold cathode fluorescent lamp in LCD contains a small amount of mercury. Please follow local ordinances or regulations for disposal.
- (13) Small amount of materials having no flammability grade is used in the LCD module.

The LCD module should be supplied by power complied with requirements of Limited Power Source (IEC60950 or UL1950), or be applied exemption.

- (14) The LCD module is designed so that the CFL in it is supplied by Limited Current Circuit (IEC60950 or UL1950). Do not connect the CFL in Hazardous Voltage Circuit.

**5.2. Handling and Placing Methods**

<b>Correct Methods:</b>	<b>Incorrect Methods:</b>
<p>Only touch the metal frame of the LCD panel or the front cover of the monitor. Do not touch the surface of the polarizer.</p>	<p>Surface of the LCD panel is pressed by fingers and that may cause "Mura"</p>
	
	
<p>the monitor with cushions</p>	<p>Taking out the monitor by grasping the LCD panel. That may cause "Mura"</p>
	

Place the monitor on a clean and soft foam pad.	Placing the monitor on foreign objects. That could scratch the surface of the panel or cause "Mura"
	
	<p>The panel is placed facedown on the lap. That may cause "Mura"</p> 

## 2. Specification

### 1. General Requirements

#### General Specifications

Test Resolution & Frequency	“1280 x 1024” @ 60Hz
Test Image Size	Full Size
Contrast and Brightness Controls	Factory Default: Contrast = 70%, Brightness = 100%

### 2. Signal Interface

#### Video Interface

Analog Input Connector	DB-15 (Analog)
Default Input Connector	Defaults to the first detected input
Video Cable Connector DB-15 Pin out	Compliant DDC 1/2B.
Video Signals	1. Video RGB (Analog) Separate Sync
Video Impedance	75 Ohms (Analog), 100 Ohms (Digital)
Exclusions	Not compatible with interlaced video.

### 3. Power

#### Power Supply

Input Voltage Range	90 to 264 VAC
Power Dissipation	40 Watts (Typ.)

### 4. Electrical Requirements

#### Horizontal / Vertical Frequency

Horizontal Frequency	30 – 80 KHz
Vertical Refresh Rate	50 – 75 Hz * For resolution 1280 x 1024, the vertical Refresh rate up to 75 Hz; for there rest Resolutions, the vertical refresh rate up To 75Hz.
Maximum Pixel Clock	135 MHz.
Sync Polarity	Independent of sync polarity.

#### Timing Table

Item	Timing	Analog
1	640 x 350 @ 70Hz, 31.5kHz	Yes
2	640 x 400 @ 60Hz, 31.5kHz	Yes
3	640 x 400 @ 70Hz, 31.5kHz	Yes
4	640 x 480 @ 50Hz, 24.7kHz	Yes
5	640 x 480 @ 60Hz, 31.5kHz	Yes
6	640 x 480 @ 67Hz, 35.0kHz	Yes
7	640 x 480 @ 72Hz, 37.9kHz	Yes
8	640 x 480 @ 75Hz, 37.5kHz	Yes
9	640 x 480 @ 85Hz, 43.27kHz	Yes
10	720 x 400 @ 70Hz, 31.5kHz	Yes
11	800 x 600 @ 56Hz, 35.1kHz	Yes
12	800 x 600 @ 60Hz, 37.9kHz	Yes
13	800 x 600 @ 75Hz, 46.9kHz	Yes
14	800 x 600 @ 72Hz, 48.1kHz	Yes
15	800 x 600 @ 85Hz, 53.7kHz	Yes
16	832 x 624 @ 75Hz, 49.7kHz	Yes
17	1024 x 768 @ 60Hz, 48.4kHz	Yes
18	1024 x 768 @ 70Hz, 56.5kHz	Yes
19	1024 x 768 @ 72Hz, 58.1kHz	No
20	1024 x 768 @ 75Hz, 60.0kHz	Yes
21	1024 x 768 @ 85Hz, 68.67kHz	Yes
22	1152 x 864 @ 75Hz, 67.5kHz	No

23	1152 x 870 @ 75Hz, 68.7kHz	Yes
24	1280 x 1024 @ 60Hz, 63.4kHz	Yes
25	1280 x 1024 @ 75Hz, 79.97kHz	Yes
26	1280x 720 @ 60Hz, 45kHz (HDTV)	Yes

#### Changing Modes

Maximum Mode Change Blank Time for image stability. Note: 1) Excluding “Auto Adjust” time 2) Under DOS mode (640 x 350, 720 x 400 & 640 x 400), there is no “Auto Adjust” feature. 3) The monitor needs to do “Auto Adjust” the first time a new mode is detected.	Under 5 seconds (Maximum) 1 seconds (Typ.) for recognized timings 1-2 seconds (Typ.) for unrecognized timing
---	--

### 5. LCD Panel

#### Panel Characteristics

Source1:

Panel Type	HSD190ME13-A02
Type	TN type with LVDS interface
Active Size	376.32 (H) x 301.056 (V)
Pixel Arrangement	RGB Vertical Stripe
Pixel Pitch	0.294 mm
# of Backlights	4 CCFL edge-light (2 top / 2 bottom)
Backlight Life	40,000 Hours (minimum)
Panel Performance	
Luminance – Condition: CT = 6500K, Contrast = Max, Brightness = Max	250 cd/m2 (typ. after 30-minute warm-up)
Brightness Uniformity	≥80% Entire Area(Typ)
Contrast Ratio	600:1 (typ.), 450:1 (minimum)
Color Depth	16.2M colors (6-bits+2 bits FRC)
Viewing Angle (Horizontal)	140 degrees @ CR>10
Viewing Angle (Vertical)	130 degrees @ CR>10
Response Time 10%-90% @ Ta=25°C	8ms(Typ.)

Source2:

Panel Type	HSD190ME13-A16
Type	TN type with LVDS interface
Active Size	376.32 (H) x 301.056 (V)
Pixel Arrangement	RGB Vertical Stripe
Pixel Pitch	0.294 mm
# of Backlights	4 CCFL edge-light (2 top / 2 bottom)
Backlight Life	40,000 Hours (minimum)
Panel Performance	
Luminance – Condition: CT = 6500K, Contrast = Max, Brightness = Max	300 cd/m2 (typ. after 30-minute warm-up)
Brightness Uniformity	≥80% Entire Area(Typ)
Contrast Ratio	700:1 (typ.), 450:1 (minimum)
Color Depth	16.2million colors (6 bits+2bits data)
Viewing Angle (Horizontal)	150 degrees @ CR>10
Viewing Angle (Vertical)	135 degrees @ CR>10
Response Time 10%-90% @ Ta=25°C	8ms (Typ.)



## 6. Mechanical

### Dimensions

Width	414 mm
Height	407 mm
Depth	219 mm
Monitor Weight	5.4kg / 11.88 lbs

### Ergonomics

Tilt Up	20 DEGREES MINIMUM
Tilt Down	-5 degrees

### Package Specifications

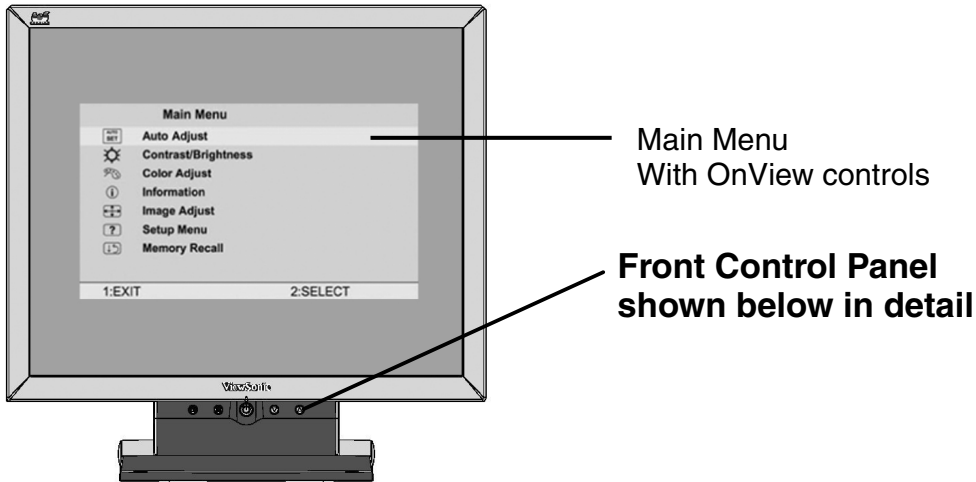
Width	490 mm
Height	570 mm
Depth	145 mm
Gross Weight	6.8kg (14.96lb)

## 7. Environmental

### Environmental Conditions

Operating Temperature	0°C to +40°C
Storage Temperature	-20°C to +60°C
Operating Relative Humidity	10% to 90% RH Non-Condensing
Storage Relative Humidity	5% to 90% RH Non-Condensing
Operating Altitude	0 to +3,000 meters
Storage Altitude	0 to +12,000 meters

### 3. Front Panel Function Control Description



Displays the control screen for the highlighted control.

Also toggles between two controls on some screens.

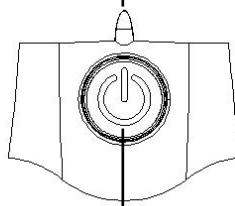
Also a shortcut to Auto Image Adjust.



Displays the Main Menu or exits the control screen and saves adjustments.



Power light  
Green = ON  
Orange = Power Saving



Power On/Off

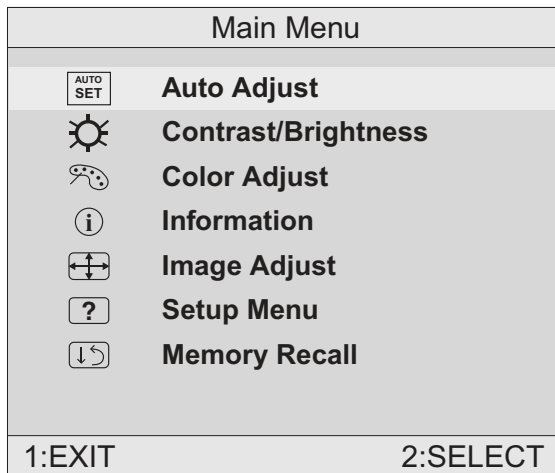
Scrolls through menu options and adjusts the displayed control.

Also a shortcut to display the Contrast adjustment control screen.



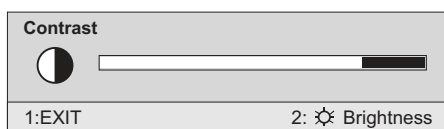
## Do the following to adjust the screen image:

- 1 To display the Main Menu, press button [1].



**NOTE:** All OnView menus and adjustment screens disappear automatically after about 15 seconds. This time period is adjustable through the Setup menu and the OSD timeout control described on page 11.

- 2 To highlight a control you want to adjust, press ▲ or ▼ to scroll up or down the Main Menu.
- 3 To select the highlighted control, press button [2]. A control screen appears like the example shown below.



The line at the bottom of the screen tells you what you can do next: Exit or Select the control that is highlighted.

- 4 To adjust the control, press the up ▲ or down ▼ buttons.
- 5 To save the adjustments and exit the menu, press button [1] *twice*.

## The following tips may help you optimize your display:

- Adjust your computer's graphic card so that it outputs a video signal 1280 x 1024 @ 60 Hz to the LCD display. (Look for instructions on “changing the refresh rate” in your graphic card's user guide.)
- If necessary, make small adjustments using H. POSITION and V. POSITION until the screen image is completely visible. (The black border around the edge of the screen should barely touch the illuminated “active area” of the LCD display.)

# Main Menu Controls

Adjust the menu items shown below by using the up ▲ and down ▼ buttons.

## Control Explanation



**Auto Adjust** automatically sizes, centers, and fine tunes the video signal to eliminate waviness and distortion.

Press the [2] button to obtain a sharper image.

**NOTE:** Auto Adjust works with most common video cards. If this function does not work on your LCD display, then lower the video refresh rate to 60 Hz and set the resolution to its pre-set value.



**Contrast** adjusts the difference between the image background (black level) and the foreground (white level).



**Brightness** adjusts background black level of the screen image.



**Color Adjust** provides several color options: preset color temperatures and User which allows you to adjust red (R), green (G), and blue (B). The factory setting for this product is 6500K (6500 Kelvin).

Color Adjust	
sRGB	
9300K	
• 6500K	
5400K	
User Color	
1:EXIT	2:SELECT

**sRGB** — sRGB is quickly becoming the industry standard for color management, with support being included in many of the latest applications. Enabling this setting allows the LCD display to more accurately display colors the way they were originally intended. Enabling the sRGB setting will cause the Contrast and Brightness adjustments to be disabled.

**9300K** — Adds blue to the screen image for cooler white (used in most office settings with fluorescent lighting).

**6500K** — Adds red to the screen image for warmer white and richer red. Default setting.

**5400K** — Adds green to the screen image for a darker color.

## Control Explanation

**User** — Individual adjustments for red, green, and blue.

- 1 To select color (R, G or B) press button [2].
- 2 To adjust selected color, press ▲ or ▼.
- 3 When you are finished making all color adjustments, press button [1] *twice*.







**Information** displays the timing mode (video signal input) coming from the graphics card in your computer. See your graphic card's user guide for instructions on changing the resolution and refresh rate (vertical frequency).

VESA 1280 x 1024 @ 60 Hz (recommended) means that the resolution is 1280 x 1024 and the refresh rate is 60 Hertz.

Information	
H. Frequency:	48.60 KHz
V. Frequency:	60.00 Hz
Pixel Clock:	65.00 MHz
Resolution:	1280 x 1024
Model Number:	VS10047
Serial No:	
website : www.viewsonic.com	
1:EXIT	



### Image Adjust

Image Adjust	
	<b>H./V. Position</b>
	<b>H. Size</b>
	<b>Fine Tune</b>
	<b>Sharpness</b>
1:EXIT	
2:SELECT	

The Image Adjust controls are explained below:



**H./V. Position** adjusts horizontal and vertical position of the screen image. You can toggle between Horizontal and Vertical by pressing button [2]. Horizontal moves the screen image to the left or to the right. Vertical moves the screen image up and down.



**H. Size** (Horizontal Size) adjusts the width of the screen image.

**NOTE:** Vertical size is automatic with your LCD display.

## Control Explanation



**Fine Tune** sharpens focus by aligning the illuminated text and/or graphic characters.

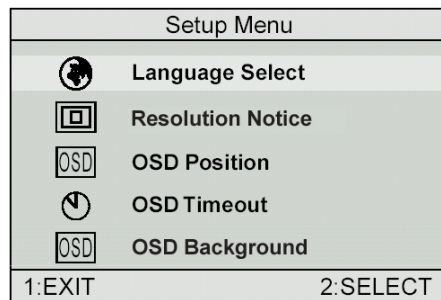
**NOTE:** Try the **Auto Adjust** (see page 9) before using the **Fine Tune** control.



**Sharpness** adjusts the clarity and focus of the screen image.



**Setup Menu** displays the menu shown below.



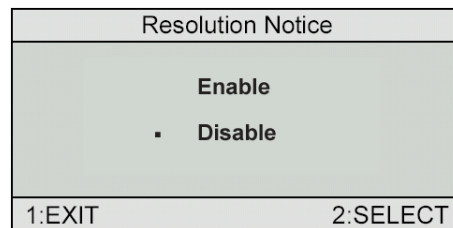
The Setup Menu controls are explained below.



**Language Select** allows you to choose the language used in the menus and control screens.



**Resolution Notice** advises the optimal resolution to use.



**OSD Position** allows you to move the on-screen display menus and control screens.



**OSD Timeout** sets the length of time an on-screen display screen is displayed. For example, with a “15 second” setting, if a control is not pushed within 15 seconds, the display screen disappears.

<b>Control</b>	<b>Explanation</b>
----------------	--------------------

---






**OSD Background** allows you to turn the On-Screen display background on or off. This means that while making adjustments from the OSD control screens you can also view open software applications, or the Windows desktop.



**Memory Recall** returns adjustments to the original factory settings if the display is operating in a factory Preset Timing Mode listed in this user guide.

## Short Cut Key

---

Function Key : 5 Keys → 1 2   

[1]	Main Menu
[2]	Auto Image Adjust
[▼] or [▲]	to immediately activate Contrast menu. It should be change to Brightness OSD by push button [2].
[▼] + [▲]	recall Contrast or Brightness while in the Contrast or Brightness adjustment, or recall both of Contrast and Brightness when the OSD is not open.
[1] + [2]	toggle 720x400 and 640x400 mode when input 720x400 or 640x400 mode.
[1] + [▼] + [▲] (Keep pushing 5 sec)	White Balance.
[1] + [▼]	Power Lock
[1] + [▲]	OSD Lock



## 4. Circuit Description

### A. Scaling controller

#### GENERAL DESCRIPTION

The TSU16AS is total solution graphics processing IC for LCD monitors with panel resolutions up to SXGA. It is configured with a high-speed integrated triple-ADC/PLL, a high quality display processing engine, and an integrated output display interface that can support LVDS panel interface format. To further reduce system costs, the TSU16AS also integrates intelligent power management control capability for green-mode requirements and spread-spectrum support for EMI management.

The TSU16AS incorporates the world's first coherent oversampled RGB graphics ADC in a monitor controller system<sup>1</sup>. The oversampling ADC samples the input RGB signals at a frequency that is much higher than the signal source pixel rate. This can preserve details in the video signal that ordinarily would be lost due to input signal jitter or bandwidth limitations in non-oversampled systems.

The TSU16AS also incorporates a new Dynamic Frame Rate (DFR) generator<sup>2</sup> for the digital output video to the display panel that preserves the advantages of a fixed output clock rate, while eliminating the output end of frame short-line.

<sup>1,2</sup> Patent Pending

#### PIN DESCRIPTION

##### CPU Interface

Pin Name	Pin Type	Function	Pin
----------	----------	----------	-----

HWRESET	Schmitt Trigger	Input w/	
---------	-----------------	----------	--

5V-tolerant

Hardware reset; active high 5

INT Output CPU interrupt; 4mA driving strength 27

AD3 I/O w/ 5V-tolerant DDR direct bus AD3; 4mA driving strength 4

AD2 I/O w/ 5V-tolerant DDR direct bus AD2; 4mA driving strength 1

AD1 I/O w/ 5V-tolerant DDR direct bus AD1; 4mA driving strength 2

AD0 I/O w/ 5V-tolerant DDR direct bus AD0; 4mA driving strength 3

ALE I w/ 5V-tolerant DDR direct bus ALE; active high 24

WRZ I w/ 5V-tolerant DDR direct bus WRZ; active low 25

RDZ I w/ 5V-tolerant DDR direct bus RDZ; active low 26

##### Analog Interface

Pin Name	Pin Type	Function	Pin
----------	----------	----------	-----

HSYNC	Schmitt Trigger	Input w/	
-------	-----------------	----------	--

5V-tolerant

Analog HSYNC input 8

VSYNC	Schmitt Trigger	Input w/	
-------	-----------------	----------	--

5V-tolerant

Analog VSYNC input 9

REFP Internal ADC top de-coupling pin 22

REFM Internal ADC bottom de-coupling pin 23

RINP Analog Input Analog red input 19

RINM Analog Input Reference ground for analog red input 18

SOGIN Analog Input Sync-on-green input 17

GINP Analog Input Analog green input 16

GINM Analog Input Reference ground for analog green input 15

BINP Analog Input Analog blue input 14

BINM Analog Input Reference ground for analog blue input 13

REXT External resistor 390 ohm to AVDD\_ADC 11

##### LVDS Interface

Pin Name	Pin Type	Function	Pin
----------	----------	----------	-----

LVA0M	Output A-Link Negative LVDS Differential Data	Output	42
-------	---	--------	----

LVA0P	Output A-Link Positive LVDS Differential Data	Output	41
-------	---	--------	----

LVA1M	Output A-Link Negative LVDS Differential Data	Output	40
-------	---	--------	----

TSU16AS

SXGA LCD Controller with Analog Interface and Dual LVDS Transmitter

Preliminary Data Sheet Version 0.2

Version 0.2 - 5 - 10/1/2004

Copyright c 2004 MStar Semiconductor, Inc. All rights reserved.

Pin Name Pin Type Function Pin

LVA1P Output A-Link Positive LVDS Differential Data Output 39  
LVA2M Output A-Link Negative LVDS Differential Data Output 38  
LVA2P Output A-Link Positive LVDS Differential Data Output 37  
LVA3M Output A-Link Negative LVDS Differential Data Output 34  
LVA3P Output A-Link Positive LVDS Differential Data Output 33  
LVACKM Output A-Link Negative LVDS Differential Clock Output 36  
LVACKP Output A-Link Positive LVDS Differential Clock Output 35  
LVB0M Output B-Link Negative LVDS Differential Data Output 52  
LVB0P Output B-Link Positive LVDS Differential Data Output 51  
LVB1M Output B-Link Negative LVDS Differential Data Output 50  
LVB1P Output B-Link Positive LVDS Differential Data Output 49  
LVB2M Output B-Link Negative LVDS Differential Data Output 48  
LVB2P Output B-Link Positive LVDS Differential Data Output 47  
LVB3M Output B-Link Negative LVDS Differential Data Output 44  
LVB3P Output B-Link Positive LVDS Differential Data Output 43  
LVBCKM Output B-Link Negative LVDS Differential Clock Output 46  
LVBCKP Output B-Link Positive LVDS Differential Clock Output 45

GPO Interface

Pin Name Pin Type Function Pin

PWM1 Output PWM1; 4mA driving strength 29

PWM0 Output PWM0; 4mA driving strength 28

Misc. Interface

Pin Name Pin Type Function Pin

XIN Crystal Oscillator Input Xin 6

XOUT Crystal Oscillator Output Xout 7

VCTRL Output Regulator Control 54

Power Pins

Pin Name Pin Type Function Pin

AVDD\_ADC 3.3V Power ADC Power 12, 20

VDDP 3.3V Power Digital Output Power 30, 53

DDC 1.8V Power Digital Core Power 32, 55

GND Ground Ground 10, 21, 31, 56

## ELECTRICAL SPECIFICATIONS

Analog Interface Characteristics

**Parameter Min Typ Max Unit**

Resolution 8 Bits

DC ACCURACY

Differential Nonlinearity  $\pm 0.5 + 1.50 / - 1.0$  LSB

Integral Nonlinearity  $\pm 1$  LSB

No Missing Codes Guaranteed

ANALOG INPUT

Input Voltage Range

Minimum 0.5 V p-p

Maximum 1.0 V p-p

Input Bias Current 1  $\mu$ A

Input Full-Scale Matching 1.5 %FS

Brightness Level Adjustment 62 %FS

SWITCHING PERFORMANCE

Maximum Conversion Rate 220 MSPS

Minimum Conversion Rate 12 MSPS

HSYNC Input Frequency 15 200 kHz

PLL Clock Rate 12 220 MHz

PLL Jitter 500 ps p-p

Sampling Phase Tempco TBD ps/  $^{\circ}$ C

DIGITAL INPUTS

Input Voltage, High (VIH) 2.5 V

Input Voltage, Low (VIL) 0.8 V

Input Current, High (IIH) -1.0 uA  
Input Current, Low (IIL) 1.0 uA  
Input Capacitance 5 pF  
DIGITAL OUTPUTS  
Output Voltage, High (VOH) VDDP-0.1 V  
Output Voltage, Low (VOL) 0.1 V  
DYNAMIC PERFORMANCE  
Analog Bandwidth, Full Power 250 MHz  
Channel to Channel Matching 0.5% Full-Scale  
**Specifications are subjected to change without notice.**

## TSU16AS

SXGA LCD Controller with Analog Interface and Dual LVDS Transmitter  
Preliminary Data Sheet Version 0.2

**Version 0.2 - 7 - 10/1/2004**

**Copyright c 2004 MStar Semiconductor, Inc. All rights reserved.**

### Absolute Maximum Ratings

#### Parameter Symbol Min Typ Max Units

3.3V Supply Voltages VVDD\_33 -0.3 3.6 V  
1.8V Supply Voltages VVDD\_18 -0.3 1.98 V  
Input Voltage (5V tolerant inputs) VIN5Vtol -0.3 5.0 V  
Input Voltage (non 5V tolerant inputs) VIN -0.3 VVDD\_33 V  
Ambient Operating Temperature TA 0 70 °C  
Storage Temperature TSTG -40 150 °C  
Junction Temperature TJ 150 °C  
Thermal Resistance (Junction to Air) Natural  
Conversion  
θJA TBD °C /W  
Thermal Resistance (Junction to Case) Natural  
Conversion  
θJC TBD °C /W

**Note: Stress above those listed under Absolute Maximum Rating may cause permanent damage to those indicated in the stress rating only; functional operation of the device at these or any other conditions outside of those indicated in the operation sections of this specification is not implied. Exposure to absolute maximum ratings foextended periods may affect device reliability.**

### ORDERING GUIDE

#### Model Temperature

#### Range

#### Package

#### Description

#### Package

#### Option

TSU16AS 0°C to +70°C SDIP

## MTV512M64

The MTV512M micro-controller is an 8051 CPU core embedded device especially tailored for flat panel display applications. It includes an 8051 CPU core, 768-byte SRAM, 4 channels of 6-bit ADC, 3 external counters/timers, 6 channels of PWMDAC, VESA DDC interface, and a 64K-byte internal program Flash-ROM memory.

### FEATURES

- 8051 core, CPU operating frequency up to 24MHz
- 3.3V power supply
- 768-byte RAM; 64K-byte program Flash memory
- Maximum 6 channels of PWM DAC
- Compliant with VESA DDC1/2B/2Bi/2B+/CI standard
- Watchdog timer with programmable interval
- Support external counters/timers, T0, T1, and ET2
- Single/double frequency clock output

- Two clock output ports
- Two external interrupts, INT1 is shared with Slave IIC interrupt source
- Maximum 4 channels of 6-bit ADC
- Flash-ROM code protection selection
- Hardware ISP (In System Programming), no Boot Code required
- Embedded Dual Ports DDCRAM (128-byte x 2)
- Green products like Pb-Free Packages or All Green Packages available

#### **PIN CONFIGURATION & DESCRIPTION**

A “CMOS output pin” means it can sink and drive at least 4mA current. It is not recommended to use such pin as input function.

An “open drain pin” means it can sink at least 4mA current. It can be used as input or output function and needs an external pull up resistor.

An “8051 standard pin” is a pseudo open drain pin. It can sink at least 4mA current when output is at low level, and drives at least 4mA current for 160nS when output transits from low to high, then keeps driving at 120 uA to maintain the pin at high level. It can be used as input or output function. It needs an external pull up resistor when driving heavy load device.

There is an internal pull-up resistance on each CMOS PAD and an internal pull-down resistance on each input

#### **Low Power Reset (LVR) & Watchdog Timer**

When the voltage level of power supply is below 2.4V (+/-0.4V) for a specific period of time, the LVR generates a chip reset signal. After the power supply is above 2.4V (+/-0.4V)

#### **INVERTER**

In order to drive the CCFLs embedded in the panel module, there is a half bridge inverter to convert by the controller.

The input 12V up to hundreds of AC voltage output.

The inverter is formed by symmetric in order to drive the separate lamp modules.

The input stage consists of a PWM controller, half bridge inverter, and switching MOSFET to convert DC input into AC output.

The output stage consists of a tuning capacitor, coupling capacitor, transformer, push-pull MOSFET pair to boost AC output up to hundreds of voltage.

And one resistor is serial to lamp for output voltage feedback.

There are two signal to control the inverter which come from system.

Logic “high” level which send to I901 is turn on the inverter.

BRI signal control brightness by DC level which was integral from PWM signal.

# 5. Adjustment Procedure

---

## 1. Function Test

### 1.1. Product

- 19" LCD Monitor

### 1.2. Test Equipment

- Color Video Signal & Pattern (or PC with SXGA resolution and a sound card)

### 1.3. Test Condition

Before function test and alignment, each LCD Monitor should be run-in and warmed up for at least 30 minutes with the following conditions:

- (a) In room temperature,
- (b) With full-white screen, RGB, and Black
- (c) With cycled display modes,
  - 640\*480 (H=43.27kHz, V=85Hz)
  - 800\*600 (H=53.7kHz, V=85Hz)
  - 1024\*768 (H=68.67kHz, V=85Hz)
  - 1280\*1024 (H=79.97kHz, V=75Hz)

### 1.4. Test Display Modes & Pattern

#### 1.4.1 Compatible Modes

Item	Timing
1	640 x 350 @ 70Hz, 31.5kHz
2	640 x 400 @ 60Hz, 31.5kHz
3	640 x 400 @ 70Hz, 31.5kHz
4	640 x 480 @ 50Hz, 24.7kHz
5	640 x 480 @ 60Hz, 31.5kHz
6	640 x 480 @ 67Hz, 35.0kHz
7	640 x 480 @ 72Hz, 37.9kHz
8	640 x 480 @ 75Hz, 37.5kHz
9	640 x 480 @ 85Hz, 43.27kHz
10	720 x 400 @ 70Hz, 31.5kHz
11	800 x 600 @ 56Hz, 35.1kHz
12	800 x 600 @ 60Hz, 37.9kHz
13	800 x 600 @ 75Hz, 46.9kHz
14	800 x 600 @ 72Hz, 48.1kHz
15	800 x 600 @ 85Hz, 53.7kHz
16	832 x 624 @ 75Hz, 49.7kHz
17	1024 x 768 @ 60Hz, 48.4kHz
18	1024 x 768 @ 70Hz, 56.5kHz
19	1024 x 768 @ 72Hz, 58.1kHz
20	1024 x 768 @ 75Hz, 60.0kHz
21	1024 x 768 @ 85Hz, 68.67kHz
22	1152 x 864 @ 75Hz, 67.5kHz
23	1152 x 870 @ 75Hz, 68.7kHz
24	1280 x 1024 @ 60Hz, 63.4kHz
25	1280 x 1024 @ 75Hz, 79.97kHz
26	1280x 720 @ 60Hz, 45kHz (HDTV)

1.4.2 Function Test Display Pattern

Item	Test Content	Pattern	Specification	Remark
1	Frequency & Tracking	Fine Line Moire	Eliminate visual wavy noise.	Figure 1
2	Contrast/Brightness	16 Gray Scale	16 gray levels should be distinguishable.	Figure 2
3	Boundary	Horizontal & Vertical Thickness	Horizontal and Vertical position of video should be adjustable to be within the screen frame.	Figure 3
4	RGB Color Performance	RGB Color Intensities	Contrast of each R, G, B, color should be normal.	Figure 4, 5, 6
5	Screen Uniformity & Flicker	Full White	Should be compliant with the spec.	Figure 7
6	Dead Pixel/Line	White Screen & Dark Screen	The numbers of dead pixels should be compliant with the spec.	Figure 7, 8
7	White Balance	White & Black Pattern	The screen must have the pure white and black pattern, no other color.	Figure 9



Fine Line Morie Pattern (Figure1)



Gray Scale Pattern (Figure2)



Horizontal & Vertical Thickness Pattern (Figure 3)



R. Color Pattern (Figure 4)



G. Color Pattern (Figure5)



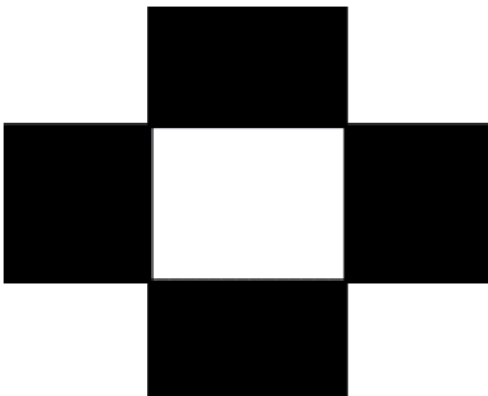
B. Color Pattern (Figure 6)



Full White Patter (Figure 7)



Dark Screen Pattern (Figure 8)



Black-White Pattern (Figure 9)

## 1.5. Function Test and Alignment Procedure

### 1.5.1 All Modes Reset

You should do “All Mode Reset” (Refer to Chapter III-3. Hot Keys for Function Controls) first. This action will allow you to erase all end-user’s settings and restore the factory defaults.

### 1.5.2 Auto Image Adjust

Please select and enter “*Auto Image Adjust*” function on Main Menu to see if it is workable. The “*Auto Image Adjust*” function is aimed to offer a better screen quality by built-in ASIC. For optimum screen quality, the user has to adjust each function manually.

### 1.5.3 Firmware

Test Pattern: Burn In Mode (Refer to Chapter III-3. Hot Keys for Function Controls)  
- Make sure the F/W is the latest version.

### 1.5.4 DDC

Test Pattern: EDID program  
- Make sure it can pass test program.

### 1.5.5 Fine Tune and Sharpness

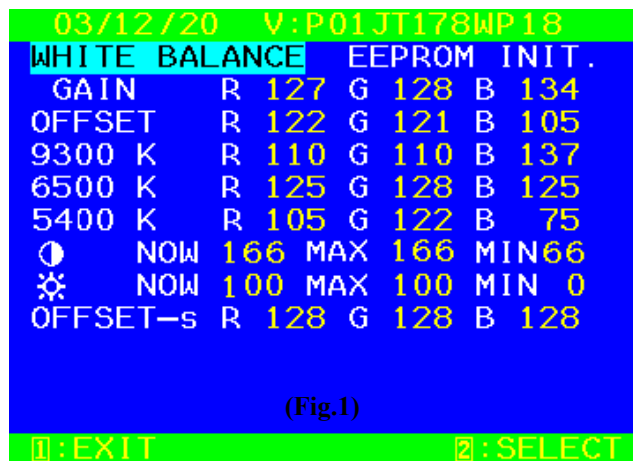
Test Signal: 1280\*1024@60Hz  
Test Pattern: Line Moire Pattern  
- Check and see if the image has noise and focus performs well. Eliminate visual line bar.  
- If not, readjust by the following steps:  
(a) Select and enter “**Fine Tune**” function on “**Manual Image Adjust**” to adjust the image to eliminate visual wavy noise.  
(b) Then, select and enter “**Sharpness**” function to adjust the clarity and focus of the screen image.

### 1.5.6 Boundary

Test Signal: 1280\*1024@60Hz  
Test Pattern: Horizontal & Vertical Line Thickness Pattern  
- Check and see if the image boundary is within the screen frame.  
- If not, readjust by the following steps:  
(a) Select and enter “**Manual Image Adjust**” function on OSD Main Menu.  
(b) Then, select and enter “**Horizontal Size**” or “**Horizontal/Vertical Position**” function to adjust the video boundary to be full scanned and within screen frame.

### 1.5.7 White Balance

- A. TIMING: 1280x1024 64KHz/60Hz.
- B. PATTERN: 5 Blocks.
- C. LCD MONITOR set to 1280x1024 80K/75Hz BURN IN and warm up over 30 minutes.
- D. CA110 color analyzer at the center of screen and along a perpendicular to the screen at 20cm from the display.
- E. Power turn off, Press “▲” and “**[2]**” and turn on power at the same time after power LED is on, release “▲” and “**[2]**” key, Then press “**[1]**” key go to factory mode. (Fig.1)



(Fig.1)



F. Adjust Color Temperature:

(1) EEPROM INIT (5 BLOCKS):

Press “▼” key move cursor to EEPROM INIT, Press “2” key then monitor will INIT ADC value.

(2) Press “▲” key move cursor to “White Balance”, Press “2” key do white balance adjustment.

(3) Press “▼” key move cursor to “Color Temperature Adjust”, Press “2” key, Then OSD will display Fig.2



(Fig.2)

(4) 9300K verify: move cursor to 9300K Press “2” key.

Press “▼”, “▲” key adjust R.G.B value

$x=0.283 \pm 0.02$

$y=0.298 \pm 0.02$

Press “1” key return to Fig.2

(5) 6500K verify: Repeat (4) press “▼”, “▲” move cursor to 6500K press “2” key

$x=0.313 \pm 0.02$

$y=0.329 \pm 0.02$

(6) 5400K verify: Repeat (4) press “▼”, “▲” move cursor to 5400K press “2” key

$x=0.332 \pm 0.02$

$y=0.348 \pm 0.02$

(7) Press “1” key go back to Fig.2, Then press “1” key return to Fig.1, Power key OFF/ON quit factory mode.

G. Color Temperature & Luminance Verify:

BRIGHTNESS MAX, CONTRAST MAX

9300K:  $x=0.283 \pm 0.02$      $y=0.298 \pm 0.02$

6500K:  $x=0.313 \pm 0.02$      $y=0.329 \pm 0.02$

5400K:  $x=0.332 \pm 0.02$      $y=0.348 \pm 0.02$

1.5.8 R, G, B, Colors Contrast

Test Signal: 1280\*1024@60Hz

Test Pattern: R, G, B, Color Intensities Pattern and 16 Gray Scale Pattern

- Check and see if each color is normal and distinguishable.

- If not, please return the unit to repair area.

1.5.9 Screen Uniformity and Flicker

Test Signal: 1280\*1024@60Hz

Test Pattern: Full White Pattern

- Check and see if it is in normal condition.

#### 1.5.10 Dead Pixel and Line

Test Signal: 1280\*1024@60Hz

Test Pattern: Dark and White Screen Pattern

- Check and see if there are dead pixels on LCD panel with shadow gauge and filter film.
- The total numbers and distance of dead pixels should be compliant with the spec.

#### 1.5.11 Mura

Test Pattern: White, RGB, Black, & Grey

Test Tool: 8% ND Filter

- Check if the Mura can pass 8% ND Filter.

#### 1.5.13 Check for Secondary Display Modes

Test Signal:

Analog: 640\*350@70Hz; 640\*480@60HZ

720\*400@70Hz; 800\*600@60HZ/70HZ/75HZ

832\*624@75Hz, 1024\*768@60HZ/70HZ/75HZ

1280\*1024@60/75Hz

- Normally when the primary mode 1280\*1024@60Hz is well adjusted and compliant with the specification, the secondary display modes will be great possible to be compliant with the spec. But we still have to check with the general test pattern to make sure every secondary is compliant with the specification.

#### 1.5.14 All Modes Reset

After final QC step, we have to erase all saved changes again and restore the factory defaults. You should do “All Mode Reset” again.

#### 1.5.15 Power Off Monitor

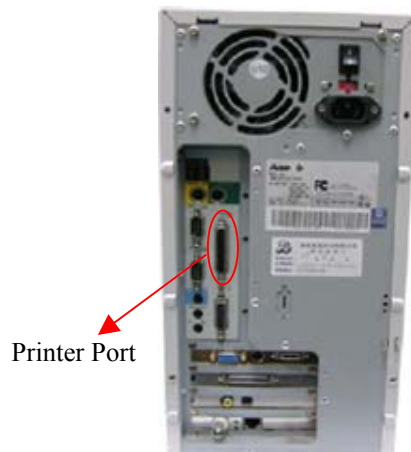
Turn off the monitor by pressing “Power” button.

## 2. Firmware Upgrade Procedure

**When you receive the returned monitor, please check whether the firmware version is the latest. If not, please do the following procedures to upgrade it to the latest version.**

### 2.1. Equipment Needed

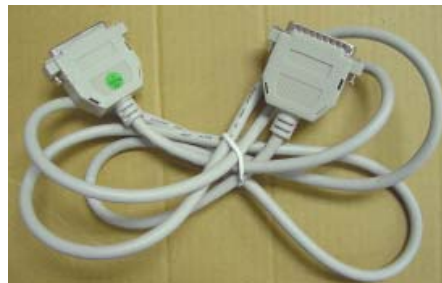
- VA902/b-3 Monitor
- Fixture for Firmware Upgrade
- VGA Cable
- PC (Personal Computer)
- LPT Cable
- Firmware Upgrade Program
- One additional monitor for checking the program execution



PC



VA902/b-3



LPT Cable



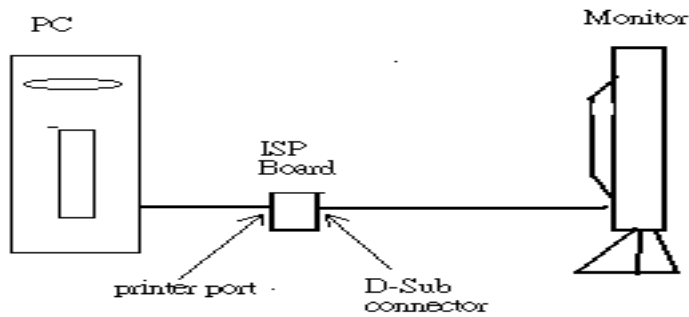
VGA Cable

## 2.2. Setup Procedure

- 2.2.1 Connect P2 of Fixture with printer port of PC by LPT Cable.
- 2.2.2 Connect P1 of Fixture with VA902/b-3 Monitor by VGA Cable.
- 2.2.4 Connect Power Cord to VA902/b-3 Monitor.
- 2.2.5 Connect PC to the additional monitor.

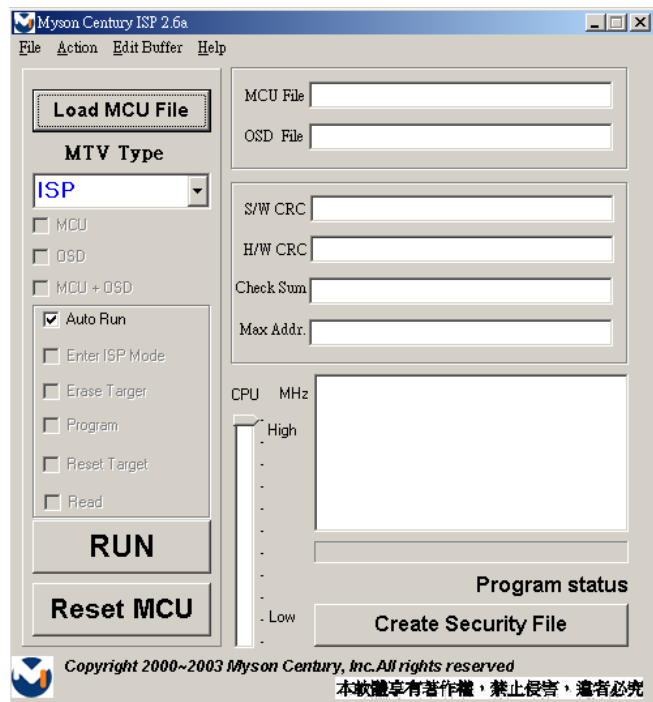
## 2.3. ISP Download program procedure

- 2.3.1 Hardware Connect status:



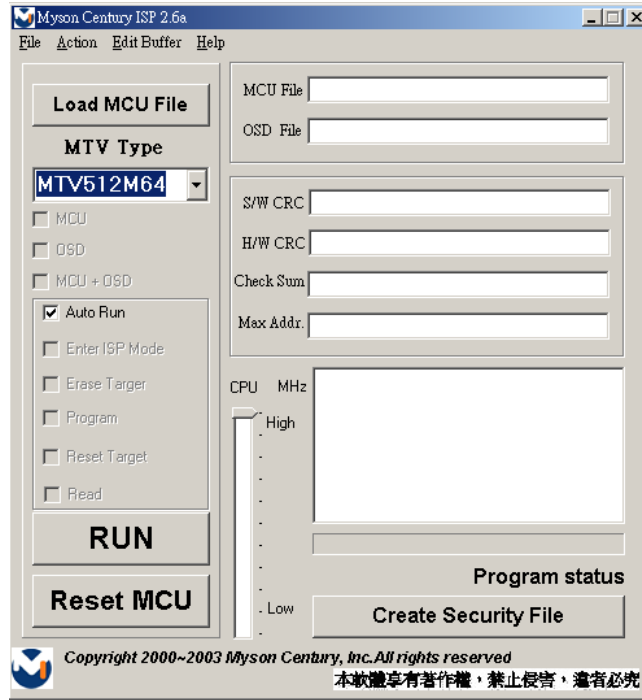
- 2.3.2 Down load isp program

### Step 1: Execute ISP.exe



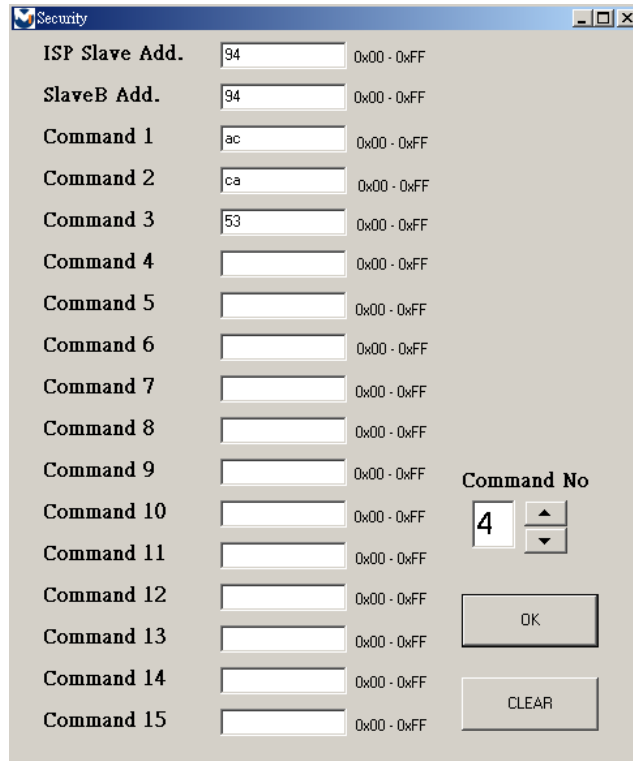
### Step 2: Select MCU type

Pressing the Comb box to select the type of the MCU, It need to be selected the MTV512GM64 for this project. Then press the Create Security File Button to enter step 3.



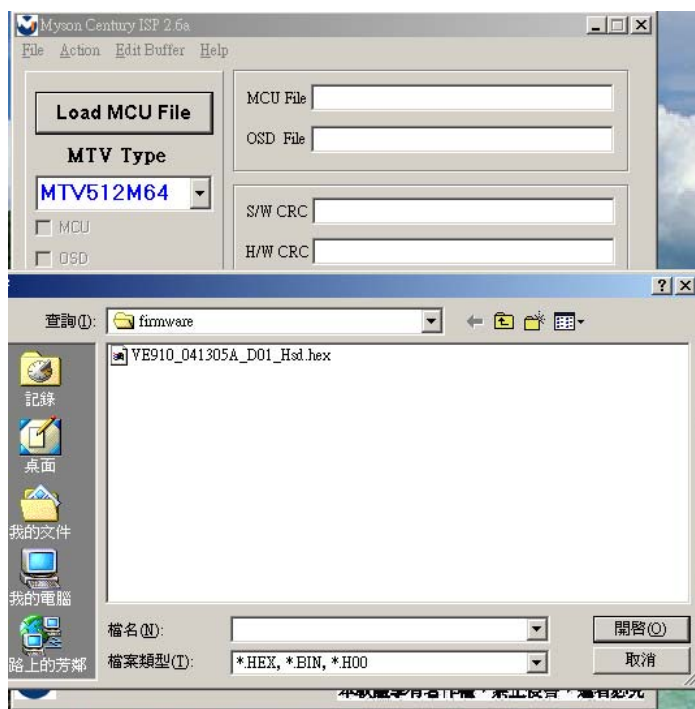
### Step 3: Create Security File

Enter the three string into the blank like fig 2. Then press OK Button.



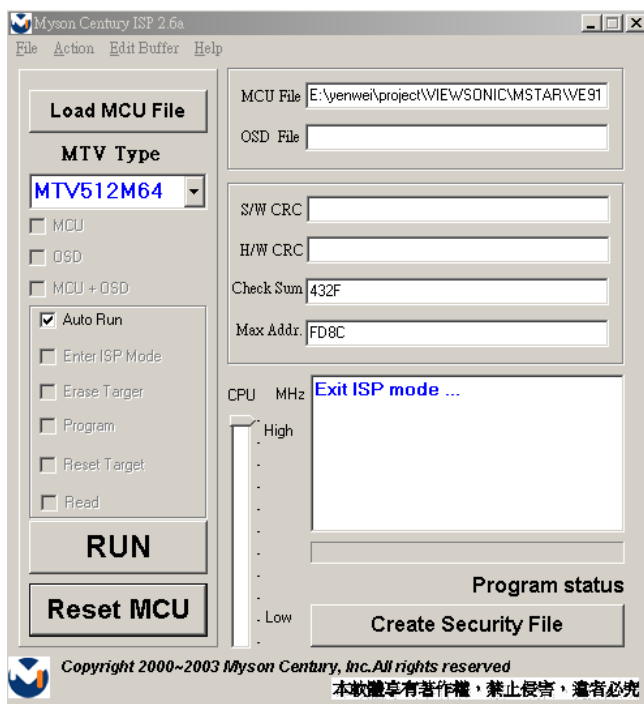
#### Step 4: Load file

Press the Load MCU File button to select the file will be download. (\*.hex)



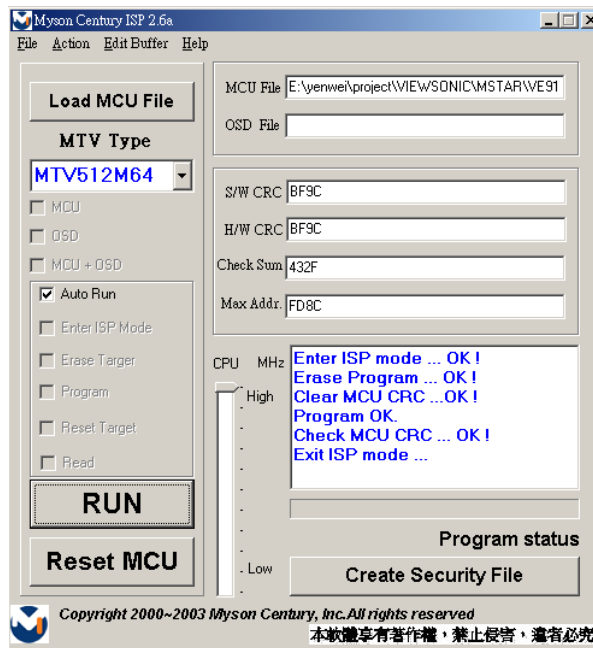
#### Step 5: Run

Pressing the Run Button to start download program. Press OK button to Enter ISP mode.



## Step 6: Download program finish

Pressing the OK Button to finish the download program procedure.

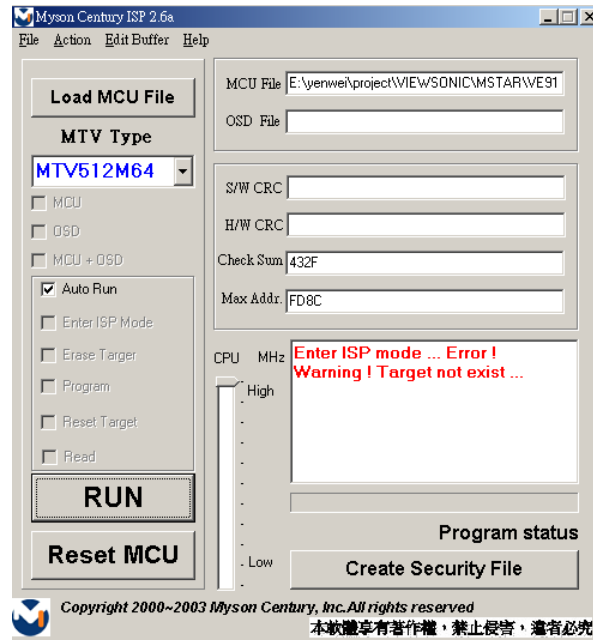


### Trouble shooting:

If you find the status like the follow picture. Please check the following item.

- The connecting status between PC and ISP board.
- The connecting status between ISP status and Monitor.

Turn off the power of monitor (AC plug off ) and disconnect the D-Sub connector .  
To connect the D-Sub connector and then turn on the power of monitor.(AC plug on)



If the test result shows “passed,” it means the connection is well. If not (failed), it means the connection has problems. Then you need to check the setup procedure or reboot the PC, or simply use another PC to do the firmware upgrade.

### 3. DDC Key In Procedure

**Note:**

1. Every time after replacing the main board, you have to do the DDC key in.
2. If you find the DDC does not conform to the monitor, you have to do the DDC key in.

#### 3.1. Equipment Needed

- VA902/b-3 Monitor
- DDC Card
- PC
- RS232 cable
- Barcode Reader
- VGA Cable



VA902/b-3



DDC Card



PC



RS-232 Cable



VGA Cable



Barcode Reader



### 3.2. Setup Procedure

#### 3.2.1 Connect VGA Card and DDC Card with RS-232 cable.



#### 3.2.2 Barcode Reader connect with keyboard and PC keyboard port.



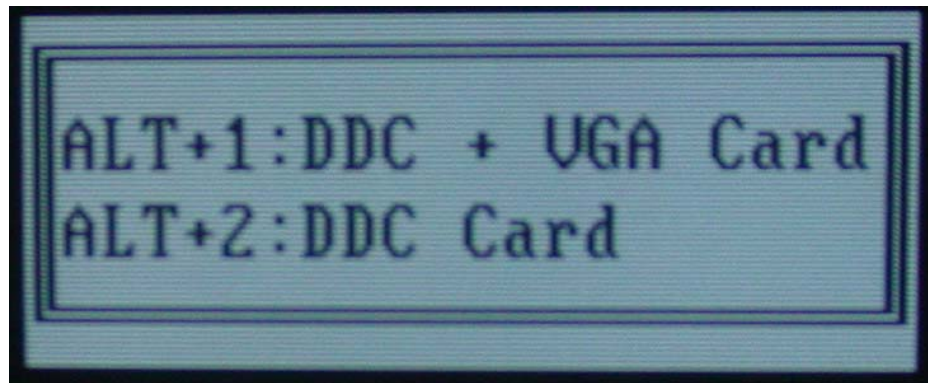
- 3.2.3 Connect RS-232 Cable and VA902(3) with VGA Cable.  
(when key in DVI DDC information, use VGA transform to DVI port )
- 3.2.4 Connect Power Cord to VA902(3) Monitor.

### 3.3. DDC Key In Procedure

- 3.3.1 Run DDC.exe
- 3.3.2 Choose model number and conform the Time then Press “ENTER” key.

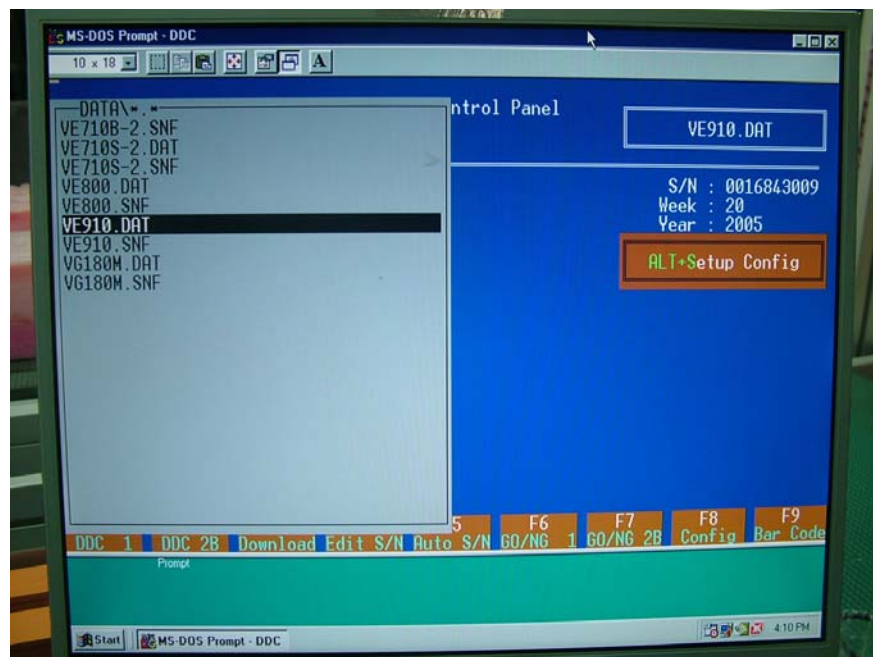


- 3.3.3 When appear the PIC “ choose DDC Card”, Press ALT+2 Enter DDC 2B test interface.

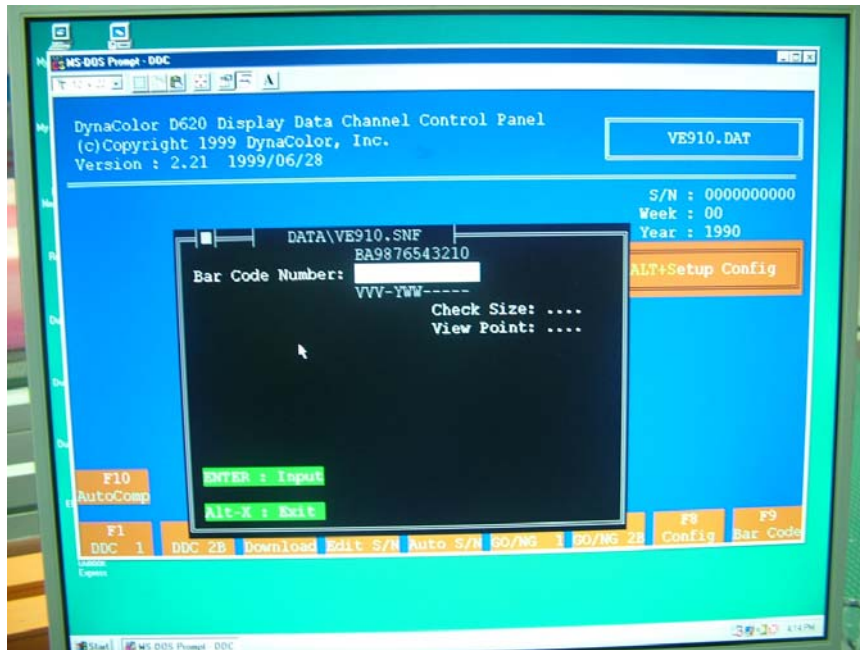


Choose DDC Card

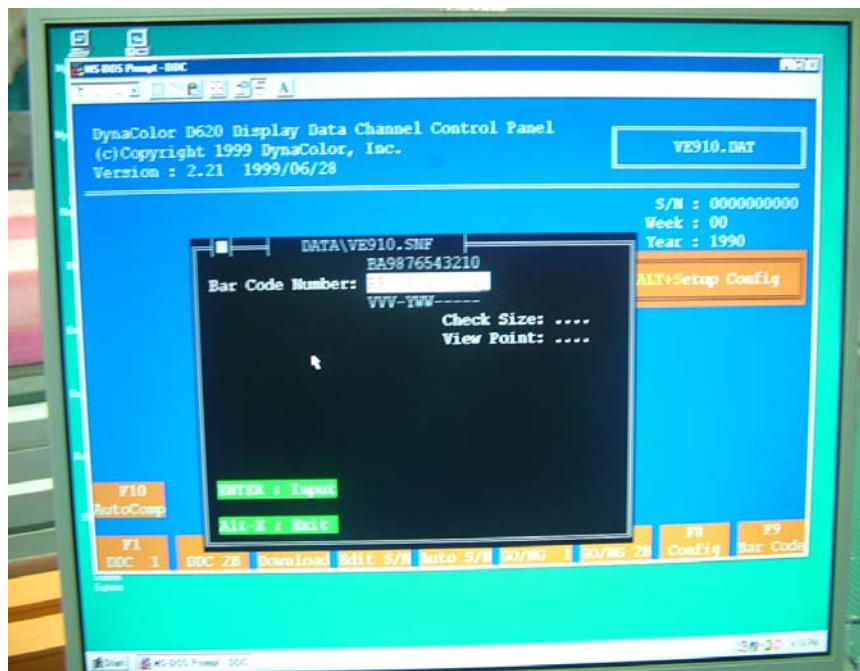
- 3.3.4 Press F8 to choose corresponding model.DAT (VA902(3).DAT press “ENTER” key)



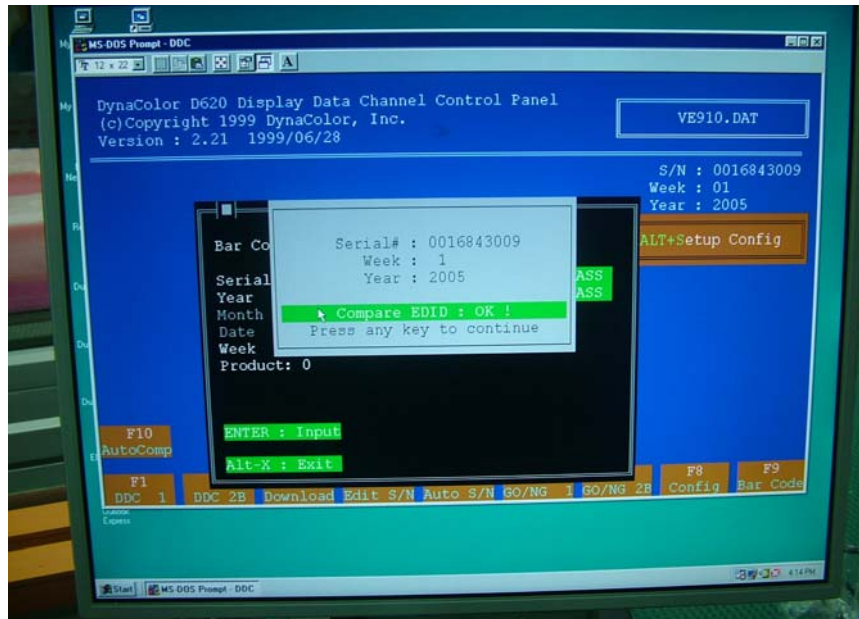
3.3.5 Press F9 enter the download interface



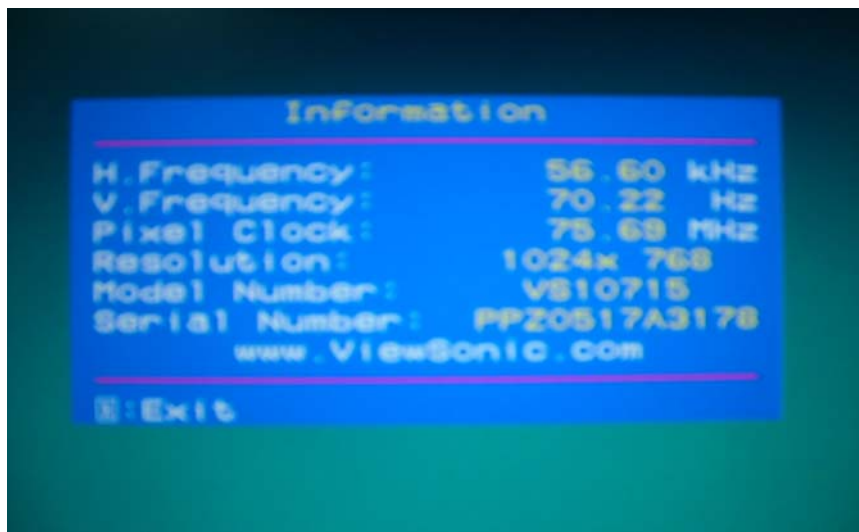
3.3.6 Key in the serial number or use the barcode reader to scan the barcode of the monitor, and press “ENTER” key.



3.3.7 The successful picture is as follows. "Compare EDID : OK! Press any key to continue".



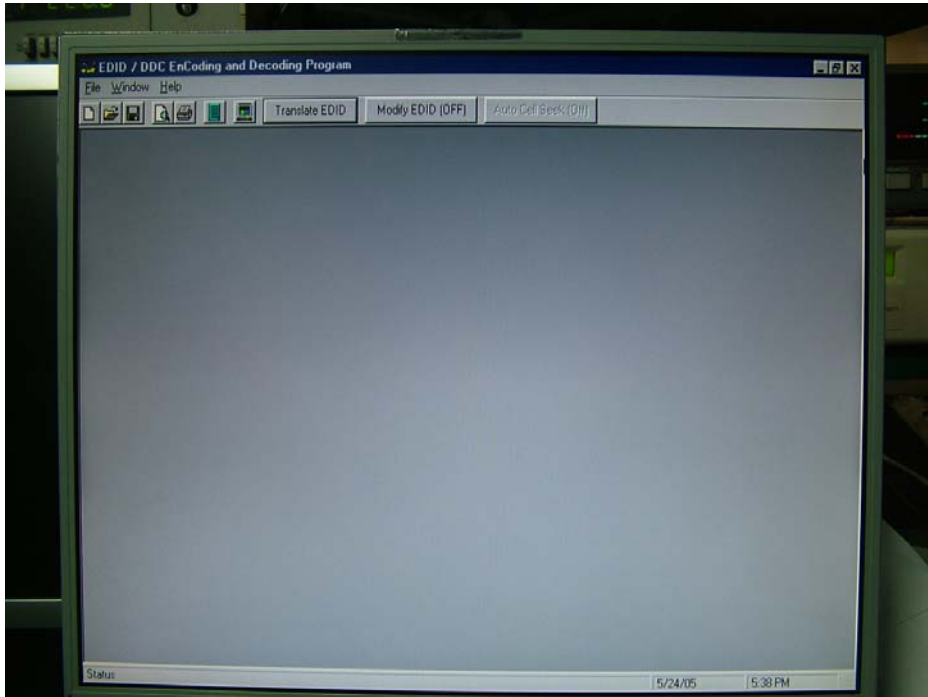
3.3.8 Let VA902(3) active then see the information in OSD, it shows "Serial NO : PPZ0517A3178"



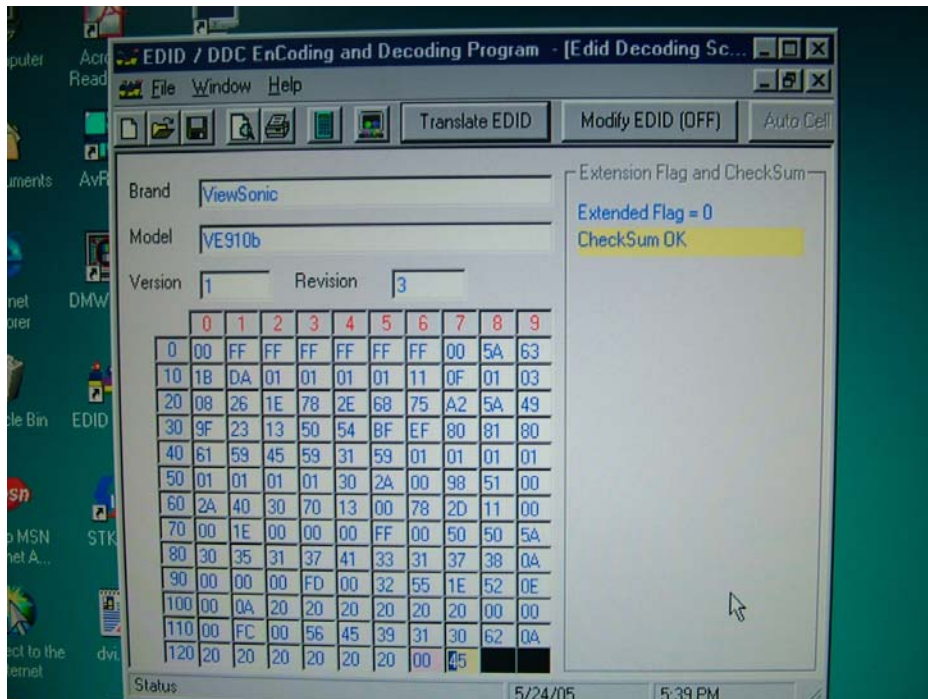


### 3.4. Check Method

Use ViewSonic EDID Editor



Connect the VA902(3) to PC with VGA Cable. Excute the EDID Editor, then Press Ctrl+F5. If the DDC is correct, you can see the information as follow:



## Packing For Shipping And Disassembly Procedure

### Packing For Shipping

#### 1. Packing Procedure

1.1 Paste protection film to protect the monitor. (Figure 1)

1.2 Put the monitor in the PE bag and seal the bag with tape. (Figure 2)



Figure 1



Figure 2

1.3 Put the cushions on the monitor. (Figure 3)

1.4 Place the monitor into the carton and then put all the accessories into the carton. At last, close the carton and seal it with tape. (Figure 4)



Figure 3

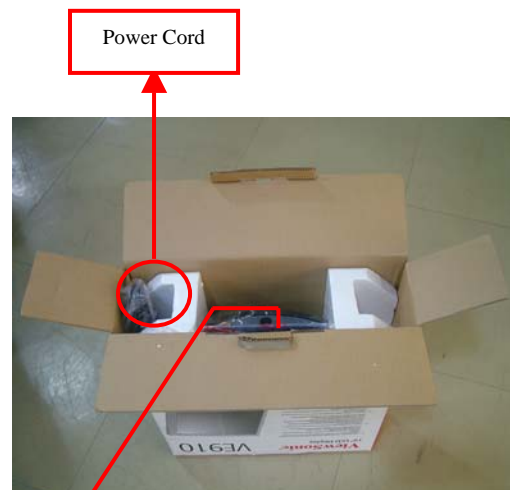


Figure 4

## Disassembly Procedure

### 1. Disassembly of Stand unit from Monitor

1.1 Remove two Hinge Cover.



1.2 Unscrew four screws that secure Stand Unit.

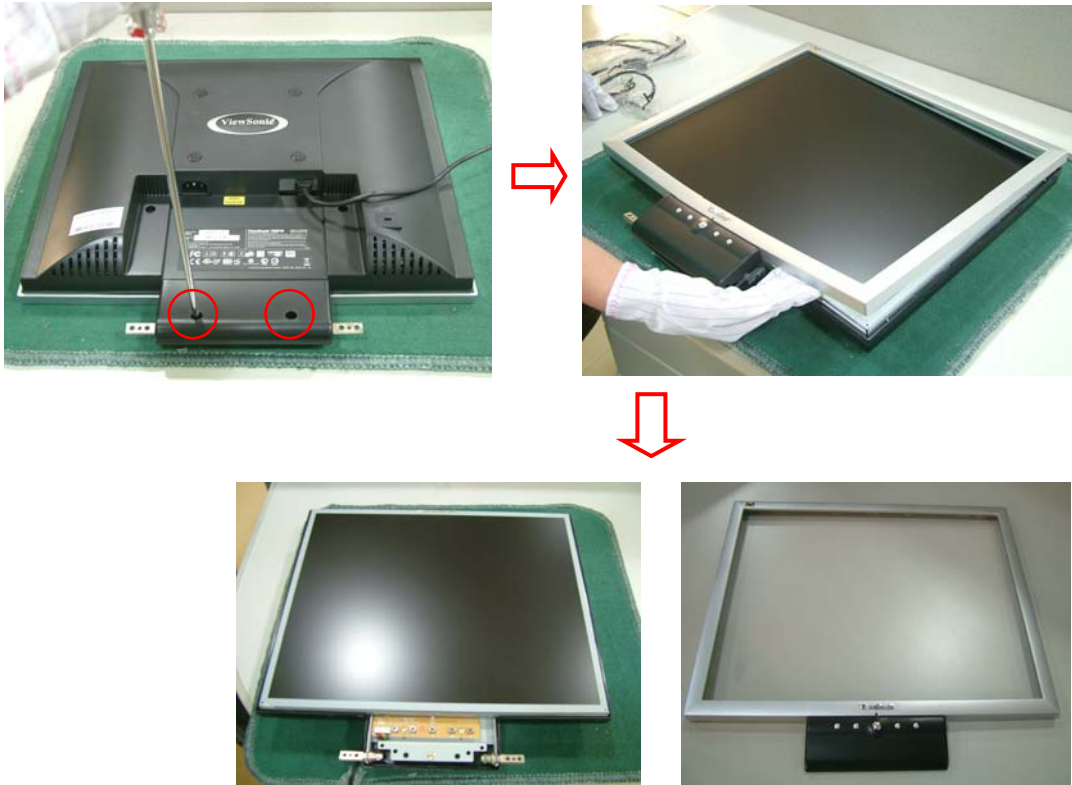


1.3 Detach Stand Unit from the monitor.

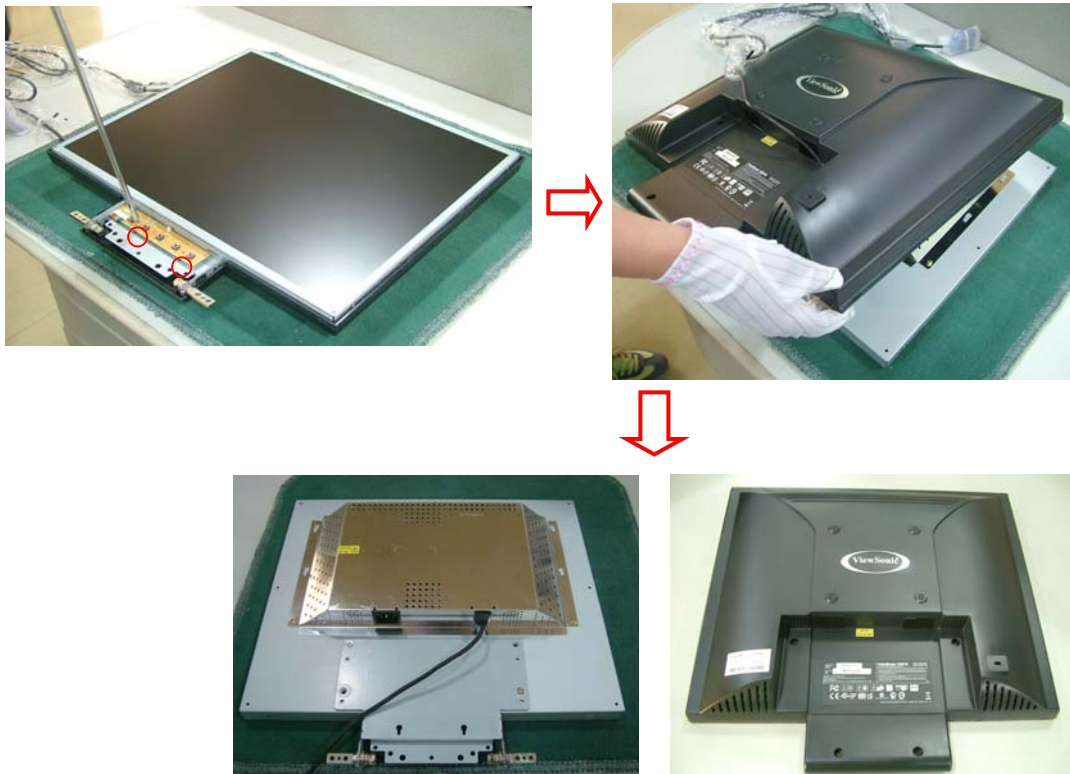


## 2. Disassembly of Front Cover and Rear Cover

2.1 Unscrew two screws that secure Rear Cover to remove Front Cover.



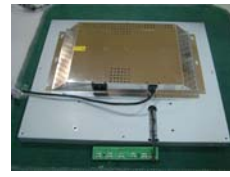
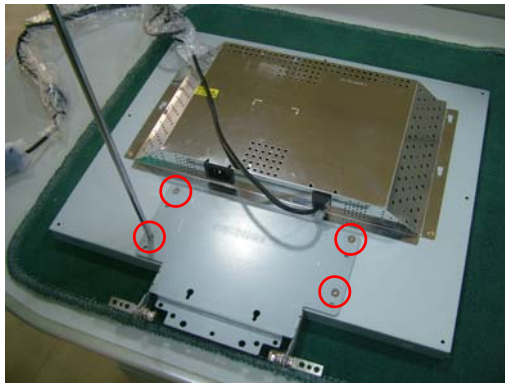
2.2 Unscrew 2 screws to remove Rear Cover.





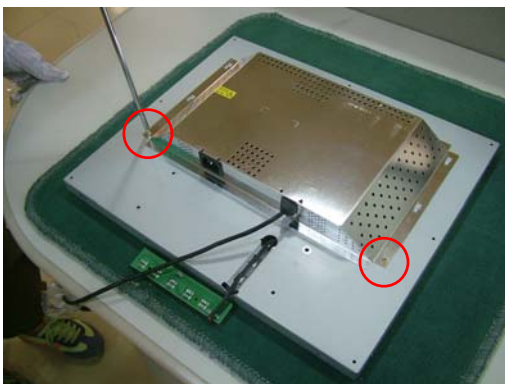
### 3. Disassembly of Hinge, Main Board, Keypad Board and Panel Unit

3.1 Unscrew 4 screws to remove Hinge.



Hinge

3.2. Unscrew 2 screws to remove Shielding Plate.



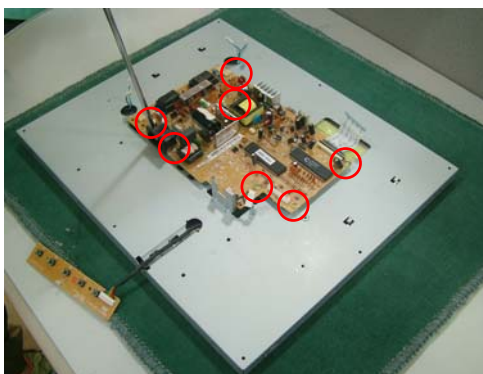
Shielding Plate

3.3. Unscrew 2 screws and disconnect the connector to remove VGA Cable.



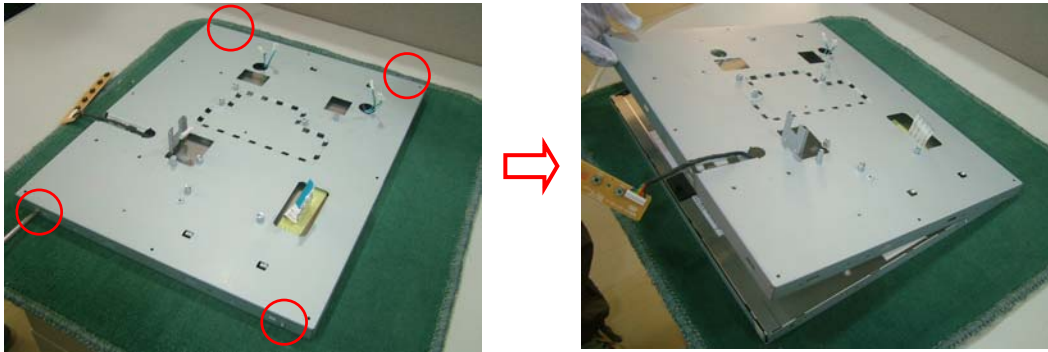
VGA Cable

3.4. Unscrew 7 screws and disconnect the wires to remove Main Board.



Main Board

3.5. Lay Panel Unit facedown and unscrew 4 screws on its right and left sides to remove Panel Unit and Keypad Board.



Keypad Board



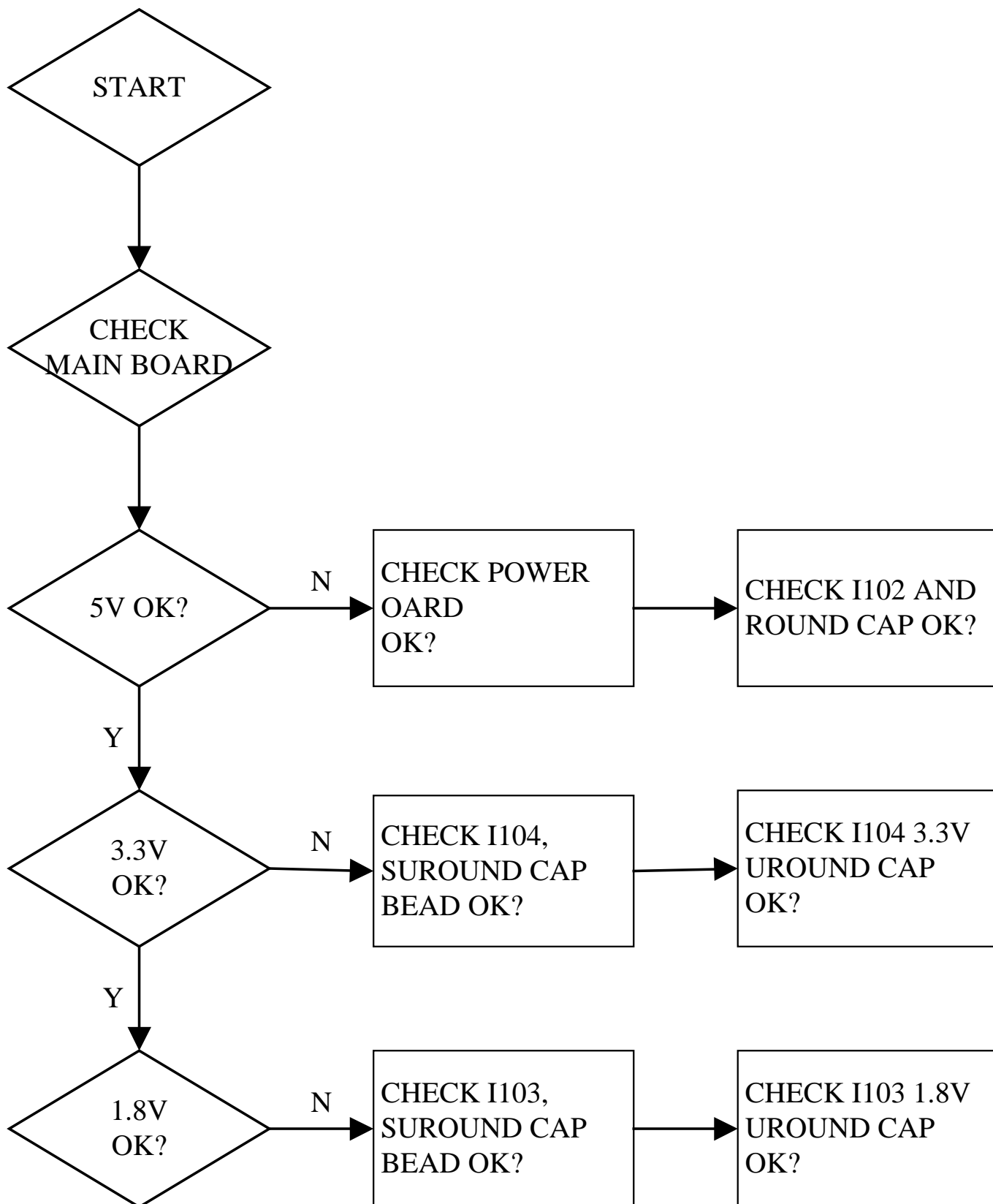
Panel Bracket



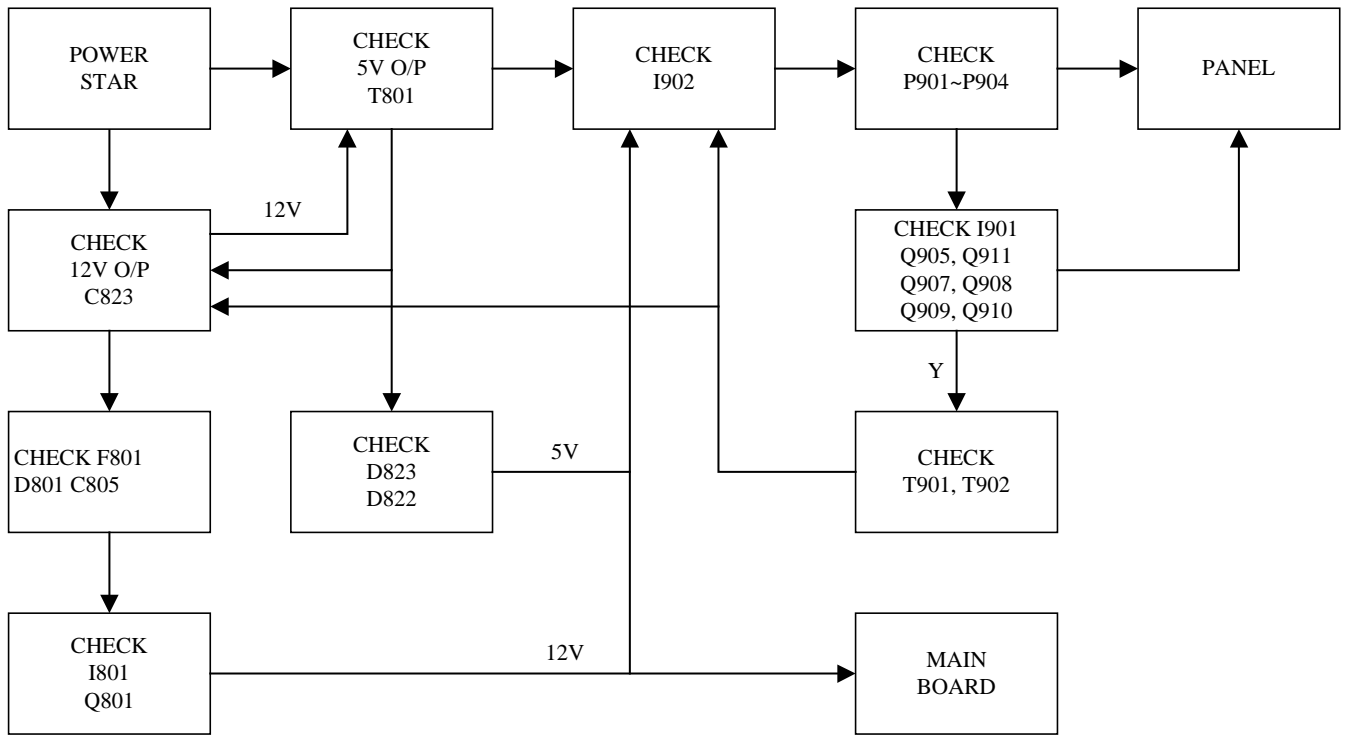
Panel Unit

## 6. Troubleshooting Flow Chart

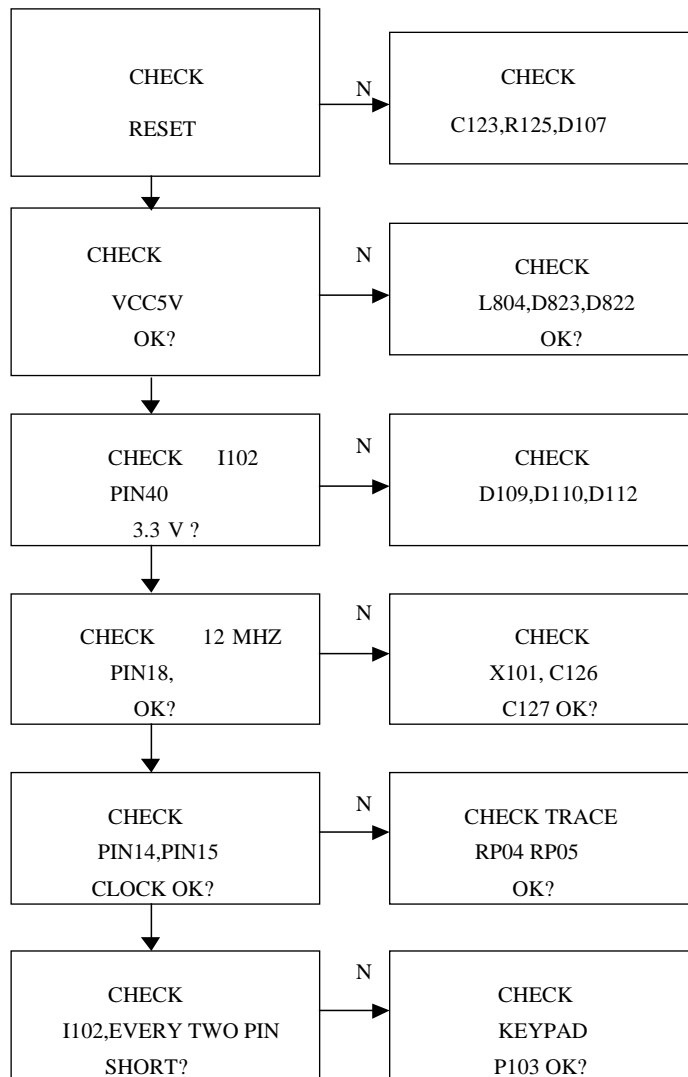
---



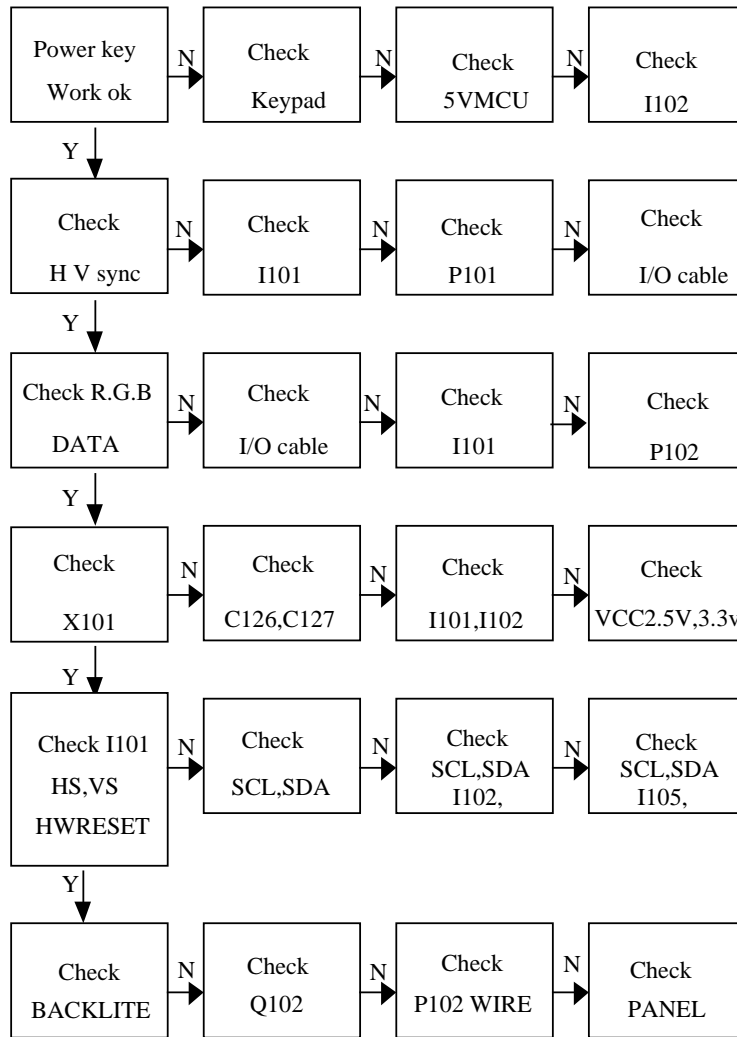
### 6.1. NO POWER



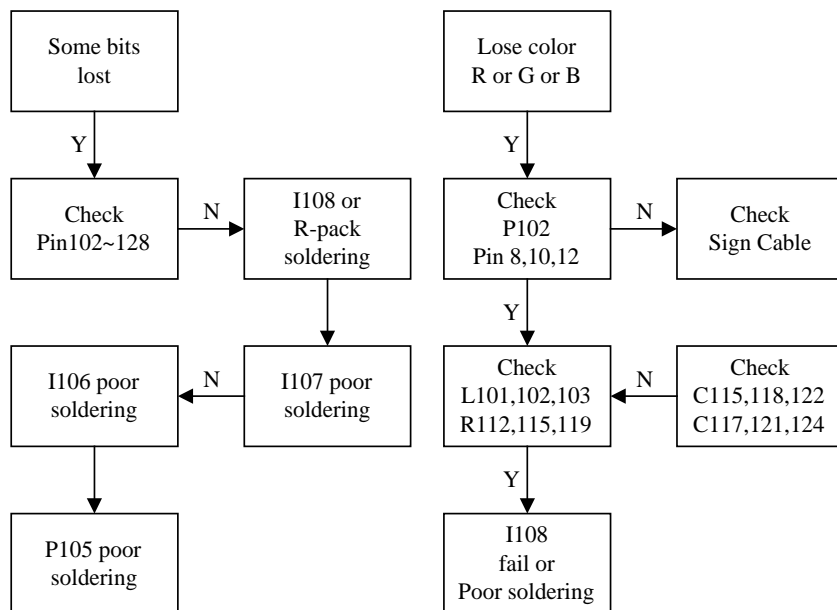
### 6.2. MCU NO FUNCTION



### 6.3. NO DISPLAY



### 6.4. LOSE COLOR



# 7. Recommended Spare Parts List

## RECOMMENDED SPARE PARTS LIST (VA902-3)

ViewSonic Model Number: VS10715  
Serial No. Prefix: QAK

Rev: 1a

**G - Model**

Item	Description	ECR/ECN	ViewSonic P/N	Ref. P/N	Location	Universal number#	Q'ty
1	Accessories: POWER CORD CHINA WALL 1.83M BLACK		A-PC-0106-0277	2427130097P	P951		1
2	Documentation: GUARANT CARD VIEWSONIC VA902-3 QSG		DC-00005834	2002370022P	6P84		1
3	CD-OWNER GUIDE VA902B-3 WIZARD VS10715 HSD		DC-00005835	2438570017P	6P80		1
4	PC Board PCB ASS'Y BLOCK (MAIN)		B-00005836	6201-7998909151			1
5	Assembly: PCB ASS'Y BLOCK (CON)		B-00003004	6202-7998908101			1
6	Cabinets: BEZEL ASS'Y ABS 94HB PS-7604B VA902		C-00004500	2603307892			1
7	CABI BACK ASSY VE910 ABS 94HB BLACK 4001		C-00005840	2603407644			1
8	Cables: I/O CABLE D15/C13 20276(4.5) 1.83M BLACK		CB-00003009	2427501191P	P961		1
9	Electronic LCD PANEL HSD190ME13-A02 (A) 8ms HSD		E-00004574	2212007900P	V901		1
10	Components: LCD PANEL HSD190ME13-A16 (A) 8ms HSD		E-00005842	2212010700P	V901		1
11	Packing Material: CRAFT BOX VA902-3 VS10715 TCO03		P-00005841	2011033002P	6P01		1
12	CRAFT FOAM VE910-EPS (L)		P-00003014	2012179800P	6P20		1
13	CRAFT FOAM VE910 -EPS (R)		P-00003015	2012179900P	6P21		1
14	GENERIC FOAM SET		P-00001347	30833			1
15	GENERIC BOX 22 1/2 x 11 3/4 x 23 1/2		P-00002515	20653			1
16	POLYETHY BAG 90CMX75CMX0.02 PE-LD		M-MS-0808-1317	2013053000P	6P60		1
17	Plastics: STAND VE910 ABS 94HB BLACK 4001		PL-00003006	2028259301P	5B01		1

**P - Model**

Item	Description	ECR/ECN	ViewSonic P/N	Ref. P/N	Location	Universal number#	Q'ty
1	Accessories: AC POWER CORD TAIWAN WALL 1.83M BLACK		A-00003623	2427130123P	P951		1

Remark 1: Above listed items are examples, supplier can expand the rows to add more necessary items.

Remark 2: All revised RSPLs with newly added items or any change made should be highlighted and correlated with the ECN/ECR approved by ViewSonic Corporation. This is to eliminate repeated cross checks of each item between this version and prior versions.

## RECOMMENDED SPARE PARTS LIST (VA902b-3)

ViewSonic Model Number: VS10715  
Serial No. Prefix: QAL

Rev: 1a

Item	Description	ECR/ECN	N/A	Ref. P/N	Location	Universal number#	Q'ty
1	Accessories: AC POWER CORD USA WALL 1.83M BLACK		A-00005362	2427130046P	P951		1
2	PC Board PCB ASS'Y BLOCK (CON)		B-00003004	6202-7998908101			1
3	Assembly: PCB ASS'Y BLOCK (MAIN)		B-00005836	6201-7998909151			1
4	Cabinets: BEZEL ASS'Y ABS 94HB MIDNIGHT GRAY VA902B		C-00005837	2603307893P			1
5	CABI BACK ASSY VE910-B ABS 94HB MIDNIGHT GRAY		C-00005838	2603407577P			1
6	Cables: I/O CABLE D15/C13 20276(4.5) 1.83M BLACK		CB-00003009	2427501191P	P961		1
7	Documentation: GUARANT CARD VIEWSONIC VA902-3 QSG		DC-00005834	2002370022P	6P84		1
8	CD-OWNER GUIDE VA902B-3 WIZARD VS10715 HSD		DC-00005835	2438570017P	6P80		1
9	Electronic LCD PANEL HSD190ME13-A16 (A) 8ms HSD		E-00005842	2212010700P	V901		1
10	Components: LCD PANEL HSD190ME13-A02 (A) 8ms HSD		E-00004574	2212007900P	V901		1
11	Packing Material: POLYETHY BAG 90CMX75CMX0.02 PE-LD		M-MS-0808-1317	2013053000P	6P60		1
12	CRAFT FOAM VE910-EPS (L)		P-00003014	2012179800P	6P20		1
13	CRAFT FOAM VE910 -EPS (R)		P-00003015	2012179900P	6P21		1
14	CRAFT BOX VA902B-3 VS10715 TCO03		P-00005839	2011033001P	6P01		1
15	GENERIC FOAM		P-00001347	30833			1
16	GENERIC BOX 22 1/2 x 11 3/4 x 23 1/2		P-00002515	20653			1
17	Plastics: STAND VE910-B ABS 94HB MIDNIGHT GRAY		PL-00004517	2028259302P	5B01		1

**P - Region**

Item	Description	ECR/ECN	ViewSonic P/N	Ref. P/N	Location	Universal number#	Q'ty
1	Accessories: AC POWER CORD TAIWAN WALL 1.83M BLACK		A-00003623	2427130123P	P951		1

**G - Region**

Item	Description	ECR/ECN	ViewSonic P/N	Ref. P/N	Location	Universal number#	Q'ty
1	Accessories: POWER CORD CHINA WALL 1.83M BLACK		A-PC-0106-0277	2427130097P	P951		1

Remark 1: Above listed items are examples, supplier can expand the rows to add more necessary items.

Remark 2: All revised RSPLs with newly added items or any change made should be highlighted and correlated with the ECN/ECR approved by ViewSonic Corporation. This is to eliminate repeated cross checks of each item between this version and prior versions.

BOM LIST (VA902-3)

ViewSonic Model Number: VS10715

Rev: 1a

Serial No. Prefix: QAK

Item	ViewSonic P/N	Ref. P/N	Description	Location	Universal number#	Q'ty
1	N/A	260307892P	BEZEL ASSY	ABS 94HB PS-7604B VA902		1
2	N/A	2603207094P	STAND ASSY	VE910 ABS 94HB BLACK 4001		1
3	N/A	2603207094P	CABI BACK ASSY	VE910 ABS 94HB BLACK 4001		1
4	N/A	2024268703P	FRONT BEZEL	ABS 94HB PS-7604B VA902	1F01	1
5	PL-00003024	2053754700P	LED INDIC.-PWR	VE910 PMMA 94HB COLOR CLEAR	1F02	1
6	PL-00003025	2044267101P	FUNCTION KEY	ABS 94HB ELECTROPLATE AL	1F03	1
7	M-MS-0808-9214	2051352100P	NAME PLATE	VIEWSONIC E015-006 3-BIRD LOGO	1F04	1
8	N/A	2051352800P	NAME PLATE	38.00MM*5.90MM	1F05	1
9	HW-00003026	2071974300P	METAL FITTG	VE910 SECC T=0.8 FOR PANEL	1F10	1
10	M-SCW-0824-6715	2080002200P	SCREW_SPE	L355 M3x6 DH NICKEL-PLATED	1F11	4
11	M-SCW-0824-0811	2080003700P	SCREW_SPE	ISZZTER001A M3*6L MSWR17/FZMYI	1F12	7
12	M-SCW-0824-0811	2080003700P	SCREW_SPE	ISZZTER001A M3*6L MSWR17/FZMYI	1F13	1
13	HW-00003027	2071673800P	SHIELD PLATE	VE910 SPTE T=0.3	1F14	1
14	M-SCW-0824-6719	2082630062P	SCREW	M3X6 P=0.5	1F15	2
15	M-SCW-0824-0811	2080003700P	SCREW_SPE	ISZZTER001A M3*6L MSWR17/FZMYI	1F16	1
16	M-00003862	2072460100P	INSULATOR	48*54*0.5T	1F17	1
17	N/A	2072460200P	INSULATOR	PC SHEET T=0.5 FR700 94V0	1F18	1
18	N/A	2061455100P	BUSHING	RUBBER CR BLACK 94HB	1F19	1
19	HW-00003028	2071874300P	BRACKET_FIX	SECC T=0.8 VE910 ACINLET	1F21	1
20	N/A	2061455300P	BUSHING	10*15*7.5MM TAPE-T4000	1F22	1
21	N/A	2055690013P	LABEL	EnevevStar Sticker 11*11mm	1F23	1
22	N/A	2022263501P	CABI BACK	VE910 ABS 94HB BLACK 4001	2C01	1
23	PL-00005399	2051352203P	NAME PLATE	V LOGO/ABS 94HB BLACK C	2C02	1
24	HW-00003031	2071872900P	BRACKET_FIX	JT198QP SECC 0.8T WALL MOUNT	2C10	1
25	HW-00003032	2106657000P	HINGE	VE910 -5--+20'-90'	2C20	1
26	M-SCW-0824-0851	2082340072P	SCREW_CSK+	SCREW_CSK+ M4*7	2C21	4
27	M-SCW-0824-0123	2084740102P	SCREW_BND T+	M4X10(BND T+)	2C22	1
28	M-SCW-0824-6944	2084740124P	SCREW_BND T+	M4X12(BND T+) (BLK)	2C23	2
29	M-SCW-0824-6746	2087340126P	SCREW_B SPW+	4X12(+SWRM-3) ZMC2-C	2C25	4
30	M-BK-0805-0070	2071869400P	BRACKET_FIX	METAL PLATE 1.0MM KENSINGTON	2C30	1
31	M-SCW-0824-0285	2084730082P	SCREW_BND T+	M3X8(BND T+)	2C40	2
32	M-MS-0808-9408	2061453400P	BUSHING	VE710 PLUG RUBBER	2C50	4
33	PL-00003006	2028259301P	STAND	VE910 ABS 94HB BLACK 4001	5B01	1
34	HW-00003033	2071974400P	METAL FITTG	VE910 SECC T=1.5 FOR STAND	5B10	1
35	PL-PD-0714-0113	2039819301P	FOOT PAD	RUBBER 020*2TMM SQUARE GRAIN	5B11	5
36	M-SCW-0824-0285	2084730082P	SCREW_BND T+	M3X8(BND T+)	5B12	5
37	PL-00003034	2027260401P	DUST COVER	ABS 94HB ELECTROPLATE AL	5B20	2
38	M-LB-0813-0769	2055613293P	LABEL	VIEWSONIC OPEN STAND LABEL-LCD	5B30	1
39	P-00005841	2011033002P	CARTON BOX	VA902-3 VS10715 TCO03	6P01	1
40	N/A	2055670049P	LABEL	VA902-3 VS10715(P) HSD	6P02	1
41	N/A	2055613477P	LABEL	VIEWSONIC NO.3 STICKER	6P03	1
42	N/A	2055613441P	LABEL	VIEWSONIC 8ms STICKER 89X58mm	6P04	2
43	N/A	2055636047P	LABEL	VA902B VS10715 SMALL LABEL	6P05	1
44	M-LB-0813-0856	2055613379P	LABEL	VIEWSONIC CONTAINER LABEL	6P11	0
45	M-LB-0813-0530	2055617101P	LABEL	10*20 HI-POT TESTED OK	6P13	1
46	M-LB-0813-0959	2055613392P	LABEL	VSC HIGH VOLTAGE WARNING LABEL	6P14	1
47	P-00003014	2012179800P	POLYFOAM	VE10-EPS (L)	6P20	1
48	P-00003015	2012179900P	POLYFOAM	VE910 -EPS (R)	6P21	1
49	N/A	2055170092P	LABEL	VA902-3 VS10715 HSD TCO03	6P50	1
50	M-MS-0808-1317	2013053000P	POLYETHY BAG	90CMX75CMX0.02i PE-LD	6P60	1
51	DC-00005835	2438570017P	CD-OWNER GUIDE	VA902B-3 WIZARD VS10715 HSD	6P80	1
52	DC-00005834	2002370022P	GUARANT CARD	VIEWSONIC VA902-3 QSG	6P84	1
53	N/A	2013228806P	POLYETHY BAG	135X250X0.03T mm LDPE VSC LCD	6P85	1
54	N/A	2072253903P	HEAT SINK	JT178DP SPTE T=1MM	9H01	1
55	N/A	2072261500P	HEAT SINK	JT178DP 40L*35W*20H AL T=3	9H02	1
56	N/A	2072261401P	HEAT SINK	JT178QP AL6063S-75 30*20*15	9H03	1
57	N/A	2072261900P	HEAT SINK	JT198QP SPTE 0.8t 18x11X43	9H04	1
58	N/A	2105251400P	SPRING PLATE	SPTE T=0.4MM (GROUND PLATE)	9H11	1
59	N/A	2105251400P	SPRING PLATE	SPTE T=0.4MM (GROUND PLATE)	9H12	1
60	N/A	2105251400P	SPRING PLATE	SPTE T=0.4MM (GROUND PLATE)	9H13	1
61	M-SCW-0824-0285	2084730082P	SCREW_BND T+	M3X8(BND T+)	9S01	1
62	M-SCW-0824-0285	2084730082P	SCREW_BND T+	M3X8(BND T+)	9S02	1
63	M-SCW-0824-0285	2084730082P	SCREW_BND T+	M3X8(BND T+)	9S03	1
64	E-C-0404-1841	2281447391P	CAP CER	CC 0.047u/ 50V Y5V P=5.0 Z T	C101	1
65	E-C-0404-1841	2281447391P	CAP CER	CC 0.047u/ 50V Y5V P=5.0 Z T	C102	1
66	E-C-0404-1841	2281447391P	CAP CER	CC 0.047u/ 50V Y5V P=5.0 Z T	C103	1
67	E-C-0404-1841	2281447391P	CAP CER	CC 0.047u/ 50V Y5V P=5.0 Z T	C104	1
68	E-C-0404-1841	2281447391P	CAP CER	CC 0.047u/ 50V Y5V P=5.0 Z T	C105	1
69	E-C-0404-1841	2281447391P	CAP CER	CC 0.047u/ 50V Y5V P=5.0 Z T	C106	1
70	E-C-0404-2980	2272133091P	CAP CER	TC 33p/50V CH P=5.0 J T	C107	1
71	E-C-0404-1119	2272122191P	CAP CER	TC 220p/50V CH P=5.0 J T	C108	1
72	E-C-0404-1815	2281410491P	CAP CER	CC 0.1u/ 50V Y5V P=5.0 Z T	C109	1
73	E-C-0404-1841	2281447391P	CAP CER	CC 0.047u/ 50V Y5V P=5.0 Z T	C110	1
74	N/A	2333347691P	CAP ELE 105C	EC 47u/ 16V 5*11 P=5.0 T	C112	1
75	E-C-0404-1815	2281410491P	CAP CER	CC 0.1u/ 50V Y5V P=5.0 Z T	C113	1
76	E-C-0404-1815	2281410491P	CAP CER	CC 0.1u/ 50V Y5V P=5.0 Z T	C114	1
77	N/A	2333347691P	CAP ELE 105C	EC 47u/ 16V 5*11 P=5.0 T	C115	1
78	E-C-0404-1815	2281410491P	CAP CER	CC 0.1u/ 50V Y5V P=5.0 Z T	C116	1
79	N/A	2333347691P	CAP ELE 105C	EC 47u/ 16V 5*11 P=5.0 T	C117	1
80	E-C-0404-1815	2281410491P	CAP CER	CC 0.1u/ 50V Y5V P=5.0 Z T	C118	1
81	E-C-0404-1815	2281410491P	CAP CER	CC 0.1u/ 50V Y5V P=5.0 Z T	C119	1
82	E-C-0404-2271	2333310791P	CAP ELE 105C	EC 100u/ 16V 6.3*11 P=5.0 T	C120	1
83	E-C-0404-1815	2281410491P	CAP CER	CC 0.1u/ 50V Y5V P=5.0 Z T	C121	1
84	E-C-0404-1815	2281410491P	CAP CER	CC 0.1u/ 50V Y5V P=5.0 Z T	C122	1
85	E-C-0404-1834	2333647591P	CAP ELE 105C	EC 4.7u/ 50V 5*11 P=5.0 T	C123	1
86	N/A	2333347691P	CAP ELE 105C	EC 47u/ 16V 5*11 P=5.0 T	C124	1
87	E-C-0404-1815	2281410491P	CAP CER	CC 0.1u/ 50V Y5V P=5.0 Z T	C125	1
88	E-C-0404-3092	2272110091P	CAP CER	TC 10p/50V CH P=5.0 J T	C127	1
89	E-C-0404-1815	2281410491P	CAP CER	CC 0.1u/ 50V Y5V P=5.0 Z T	C128	1
90	E-C-0404-1424	2333610591P	CAP ELE 105C	EC 1u/ 50V 5*11 P=5.0 T	C136	1
91	E-C-0404-2271	2333310791P	CAP ELE 105C	EC 100u/ 16V 6.3*11 P=5.0 T	C141	1
92	E-C-0404-2271	2333310791P	CAP ELE 105C	EC 100u/ 16V 6.3*11 P=5.0 T	C144	1
93	E-C-0404-3092	2272110091P	CAP CER	TC 10p/50V CH P=5.0 J T	C146	1
94	E-C-0404-3092	2272110091P	CAP CER	TC 10p/50V CH P=5.0 J T	C147	1
95	E-C-0404-1838	2333610691P	CAP ELE 105C	EC 10u/ 50V 5*11 P=5.0 T	C189	1
96	N/A	2300947401P	CAP.MTL MINI	X2 0.47u/275V P=15.0 M C	C801	1
97	E-C-0404-1855	228724712P	CAP CER	Y2 4700p/250V Y5V P=10.0 M K	C802	1
98	E-C-0404-1855	228724712P	CAP CER	Y2 4700p/250V Y5V P=10.0 M K	C803	1
99	N/A	2357510708P	EC HI-RIPPLE 105C 400V	EC 100u/400V 18*32 P=7.5 S	C805	1
100	E-C-0404-2262	2285110291P	CAP CER	CC 1000p/1KV Y5P P=5.0 K T	C806	1
101	E-C-0404-4833	2281110491P	CAP CER	CC 0.1u/50V (Y5P) P=5.0 K T	C807	1
102	N/A	2281118191P	CAP CER	CC 180p/50V (Y5P) P=5.0 K T	C808	1
103	E-C-0404-1838	2333610691P	CAP ELE 105C	EC 10u/ 50V 5*11 P=5.0 T	C809	1
104	E-C-0404-1833	2333622691P	CAP ELE 105C	EC 22u/ 50V 5*11 P=5.0 T	C810	1
105	N/A	2281168291P	CAP CER	CC 6800p/50V K T	C812	1



Item	ViewSonic P/N	Ref. P/N	Description	Location	Universal number#	Q'ty
106	E-C-0404-1834	2333647591P	CAP ELE 105°C	EC 4.7u/ 50V 5*11 P=5.0 T	C815	1
107	N/A	2284122291P	CAP CER	CC 2200pF/1KV P=5.0 K T	C820	1
108	N/A	2284122291P	CAP CER	CC 2200pF/1KV P=5.0 K T	C821	1
109	E-00003250	2330006601P	CAP ELE SPECIAL (3000HR)	EC 1500u/ 16V 13*16 P=5.0 C	C822	1
110	N/A	2330006491P	CAP ELE SPECIAL (3000HR)	EC 470u/16V 10*13 P=5.0 T	C823	1
111	E-00003252	2330006501P	CAP ELE SPECIAL	EC 1000u/ 10V 8*20 P=3.5 C	C824	1
112	N/A	2330006491P	CAP ELE SPECIAL (3000HR)	EC 470u/16V 10*13 P=5.0 T	C825	1
113	E-00003555	2302047291P	CAP.MTL	MEF 4700pF/50V P=5.0 J T	C826	1
114	E-C-0404-1855	2287247212P	CAP CER	Y2 4700p/250V Y5V P=10.0 M K	C831	1
115	E-C-0404-4833	2281110491P	CAP CER	CC 0.1u/50V (Y5P) P=5.0 K T	C832	1
116	E-C-0404-4833	2281110491P	CAP CER	CC 0.1u/50V (Y5P) P=5.0 K T	C845	1
117	E-00003311	2302010491P	CAP.MTL	MEF 0.1uF/50V P=5.0 J T	C901	1
118	E-00004459	2275827001P	CAP CER	TC 27pF/3KV CH J P=7.5 C	C902	1
119	E-00005730	2284022291P	CAP CER	CC 2200p/50V X7R P=5.0 K T	C903	1
120	E-00005730	2284022291P	CAP CER	CC 2200p/50V X7R P=5.0 K T	C904	1
121	N/A	2275450901P	CAP CER	TC 5P/3KV SL P=7.5 J C	C905	1
122	N/A	2330006491P	CAP ELE SPECIAL (3000HR)	EC 470u/16V 10*13 P=5.0 T	C906	1
123	N/A	2284010391P	CAP CER	CC 0.01u/50V X7R P=5.0 K T	C907	1
124	N/A	2302033291P	CAP.MTL	MEF 3300pF/50V P=5.0 J T	C908	1
125	N/A	2302039291P	CAP.MTL	MEF 3900pF/50V P=5.0 J T	C909	1
126	E-C-0404-4833	2281110491P	CAP CER	CC 0.1u/50V (Y5P) P=5.0 K T	C910	1
127	N/A	2302068391P	CAP.MTL	MEF 0.068u/50V P=5.0 J T	C911	1
128	E-C-0404-2273	2272156091P	CAP CER	TC 56p/50V CH P=5.0 J T	C912	1
129	E-C-0404-3470	2272133191P	CAP CER	TC 330p/50V CH P=5.0 J T	C913	1
130	N/A	2302010391P	CAP.MTL	MEF 0.01uF/50V P=5.0 J T	C914	1
131	N/A	2333433691P	CAP ELE 105°C	EC 33u/ 25V 5*11 P=5.0 T	C915	1
132	E-00004459	2275827001P	CAP CER	TC 27pF/3KV CH J P=7.5 C	C916	1
133	E-C-0404-4833	2281110491P	CAP CER	CC 0.1u/50V (Y5P) P=5.0 K T	C917	1
134	N/A	2275450901P	CAP CER	TC 5P/3KV SL P=7.5 J C	C918	1
135	N/A	2302033291P	CAP.MTL	MEF 3300pF/50V P=5.0 J T	C919	1
136	N/A	2302039291P	CAP.MTL	MEF 3900pF/50V P=5.0 J T	C920	1
137	N/A	2284010391P	CAP CER	CC 0.01u/50V X7R P=5.0 K T	C921	1
138	N/A	2330006491P	CAP ELE SPECIAL (3000HR)	EC 470u/16V 10*13 P=5.0 T	C922	1
139	E-C-0404-4833	2281110491P	CAP CER	CC 0.1u/50V (Y5P) P=5.0 K T	C923	1
140	N/A	2302068391P	CAP.MTL	MEF 0.068u/50V P=5.0 J T	C924	1
141	E-C-0404-4833	2281110491P	CAP CER	CC 0.1u/50V (Y5P) P=5.0 K T	C925	1
142	E-00005730	2284022291P	CAP CER	CC 2200p/50V X7R P=5.0 K T	C926	1
143	E-00005730	2284022291P	CAP CER	CC 2200p/50V X7R P=5.0 K T	C927	1
144	E-C-0404-4833	2281110491P	CAP CER	CC 0.1u/50V (Y5P) P=5.0 K T	C928	1
145	E-D-0403-0531	2363600195P	DIODE.SWITCH	IN4148 DO-35 WILLAS	D101	1
146	E-D-0403-0531	2363600195P	DIODE.SWITCH	IN4148 DO-35 WILLAS	D102	1
147	E-D-0403-0531	2363600195P	DIODE.SWITCH	IN4148 DO-35 WILLAS	D103	1
148	E-D-0403-0531	2363600195P	DIODE.SWITCH	IN4148 DO-35 WILLAS	D104	1
149	E-D-0403-0531	2363600195P	DIODE.SWITCH	IN4148 DO-35 WILLAS	D105	1
150	E-D-0403-0531	2363600195P	DIODE.SWITCH	IN4148 DO-35 WILLAS	D106	1
151	E-D-0403-0531	2363600195P	DIODE.SWITCH	IN4148 DO-35 WILLAS	D107	1
152	E-D-0403-0531	2363600195P	DIODE.SWITCH	IN4148 DO-35 WILLAS	D108	1
153	N/A	2363219095P	DIODE.RECT (EOL)	IN4002 DO-41 NI	D109	1
154	N/A	2363219095P	DIODE.RECT (EOL)	IN4002 DO-41 NI	D110	1
155	E-D-0403-1297	2363220895P	DIODE.RECT	11EQ04 NI	D112	1
156	N/A	2363703891P	LED	3 GRN/YEL	D701	1
157	N/A	2368501800P	RECT,BRIDGE	2KBP06M 600V/2A PEC	D801	1
158	N/A	2363231995P	DIODE.RECT	UF4007 DO-41 1000V/1A PEC	D806	1
159	N/A	2363230795P	DIODE.RECT	1H5G-TG-WS R-1 WILLAS	D807	1
160	E-D-0403-0254	2363507995P	DIODE.ZENER	MTZJ22B 20.64-21.71V ROHM	D808	1
161	E-D-0403-0531	2363600195P	DIODE.SWITCH	IN4148 DO-35 WILLAS	D809	1
162	E-D-0403-1532	2363505995P	DIODE.ZENER	HZ12A2-TA-E DO-35 RENESAS	D810	1
163	E-D-0403-0531	2363600195P	DIODE.SWITCH	IN4148 DO-35 WILLAS	D813	1
164	N/A	2363302800P	DIODE.SCHOTTKY	SRF10120C ITO-220AB MOSPEC	D821	1
165	N/A	2363220212P	DIODE.RECT	31DQ10FC NI	D822	1
166	N/A	2363220212P	DIODE.RECT	31DQ10FC NI	D823	1
167	E-D-0403-0531	2363600195P	DIODE.SWITCH	IN4148 DO-35 WILLAS	D902	1
168	E-D-0403-0531	2363600195P	DIODE.SWITCH	IN4148 DO-35 WILLAS	D905	1
169	E-D-0403-0531	2363600195P	DIODE.SWITCH	IN4148 DO-35 WILLAS	D906	1
170	E-D-0403-0531	2363600195P	DIODE.SWITCH	IN4148 DO-35 WILLAS	D907	1
171	E-D-0403-0531	2363600195P	DIODE.SWITCH	IN4148 DO-35 WILLAS	D908	1
172	E-D-0403-1500	2363222195P	DIODE.RECT	SB140 DO-41 PEC	D909	1
173	E-D-0403-0531	2363600195P	DIODE.SWITCH	IN4148 DO-35 WILLAS	D910	1
174	E-D-0403-0531	2363600195P	DIODE.SWITCH	IN4148 DO-35 WILLAS	D911	1
175	E-D-0403-0531	2363600195P	DIODE.SWITCH	IN4148 DO-35 WILLAS	D912	1
176	E-D-0403-0531	2363600195P	DIODE.SWITCH	IN4148 DO-35 WILLAS	D913	1
177	E-D-0403-0531	2363600195P	DIODE.SWITCH	IN4148 DO-35 WILLAS	D914	1
178	E-D-0403-0531	2363600195P	DIODE.SWITCH	IN4148 DO-35 WILLAS	D915	1
179	E-D-0403-1500	2363222195P	DIODE.RECT	SB140 DO-41 PEC	D916	1
180	E-D-0403-0531	2363600195P	DIODE.SWITCH	IN4148 DO-35 WILLAS	D917	1
181	E-D-0403-0531	2363600195P	DIODE.SWITCH	IN4148 DO-35 WILLAS	D918	1
182	E-D-0403-0531	2363600195P	DIODE.SWITCH	IN4148 DO-35 WILLAS	D919	1
183	E-FS-0410-0009	2213125207P	FUSE	21502.5(2.5A) LITTEL	F801	1
184	M-WR-0828-0478	2428106100P	JUMPER	0.6 *10.0mm	F901	10
185	N/A	2365424900P	DIGITAL IC	TSU16AS-LF SDIP-56 Mstar	I101	1
186	N/A	2365500016P	MICRO-CONTROL IC	MTV512GMN64 PDIP-40 MYSON	I102	1
187	N/A	2365335086P	LINEAR IC	AIC1117A-18PY SOT223 AIC	I103	1
188	N/A	2365335010P	LINEAR IC	AP1084T33L TO-220 Anachip	I104	1
189	E-IC-0401-2269	2365915896P	IC,DIGITAL SMD	24LC16BT/SN SO-8 MICROCHIP	I105	1
190	N/A	2365335056P	LINEAR IC	LD7552-BS SOP-8 LEADTREN	I801	1
191	E-PC-0411-0083	2362401800P	PHOTO COUPLR	TLP621 TOSHIBA	I802	1
192	N/A	2365328191P	LINEAR IC	AP431VLA TO-92 ATC	I803	1
193	N/A	2365335046P	LINEAR IC	OZ9932GN SOIC-8 O2-MICRO	I901	1
194	N/A	2365330291P	LINEAR IC	KA78L05AZ TO-92 FAIRCHILD	I902	1
195	M-WR-0828-0478	2428106100P	JUMPER	0.6 *10.0mm	J101	10
196	M-WR-0828-0450	2428106075P	JUMPER	0.6 *7.5mm	J102	7
197	M-WR-0828-0450	2428106075P	JUMPER	0.6 *7.5mm	J103	7
198	M-WR-0828-0450	2428106075P	JUMPER	0.6 *7.5mm	J105	7
199	M-WR-0828-0460	2428106125P	JUMPER	6 *12.5mm	J106	12
200	M-WR-0828-0450	2428106075P	JUMPER	0.6 *7.5mm	J107	7
201	M-MS-0808-0856	2428106200P	JUMPER	0.6 *20mm	J108	20
202	M-WR-0828-0460	2428106125P	JUMPER	6 *12.5mm	J109	12
203	M-WR-0828-0478	2428106100P	JUMPER	0.6 *10.0mm	J110	10
204	M-WR-0828-0478	2428106100P	JUMPER	0.6 *10.0mm	J111	10
205	M-WR-0828-0450	2428106075P	JUMPER	0.6 *7.5mm	J112	7
206	M-WR-0828-0450	2428106075P	JUMPER	0.6 *7.5mm	J113	7
207	M-WR-0828-0450	2428106075P	JUMPER	0.6 *7.5mm	J114	7
208	M-WR-0828-0450	2428106075P	JUMPER	0.6 *7.5mm	J115	7
209	M-WR-0828-0478	2428106100P	JUMPER	0.6 *10.0mm	J116	10
210	M-WR-0828-0450	2428106075P	JUMPER	0.6 *7.5mm	J117	7
211	M-WR-0828-0450	2428106075P	JUMPER	0.6 *7.5mm	J118	7
212	M-WR-0828-0450	2428106075P	JUMPER	0.6 *7.5mm	J119	7
213	M-WR-0828-0450	2428106075P	JUMPER	0.6 *7.5mm	J120	7
214	M-WR-0828-0450	2428106075P	JUMPER	0.6 *7.5mm	J121	7
215	M-WR-0828-0450	2428106075P	JUMPER	0.6 *7.5mm	J122	7



Item	ViewSonic P/N	Ref. P/N	Description	Location	Universal number#	Qty
216	M-WR-0828-0455	2428106050P	JUMPER	6 *5.0mm	J123	5
217	M-WR-0828-0451	2428106150P	JUMPER	0.6 *15.0mm	J124	15
218	M-WR-0828-0450	2428106075P	JUMPER	0.6 *7.5mm	J125	7
219	M-WR-0828-0478	2428106100P	JUMPER	0.6 *10.0mm	J126	10
220	M-WR-0828-0450	2428106075P	JUMPER	0.6 *7.5mm	J127	7
221	M-WR-0828-0450	2428106075P	JUMPER	0.6 *7.5mm	J801	7
222	M-WR-0828-0478	2428106100P	JUMPER	0.6 *10.0mm	J802	10
223	M-WR-0828-0450	2428106075P	JUMPER	0.6 *7.5mm	J803	7
224	M-WR-0828-0450	2428106075P	JUMPER	0.6 *7.5mm	J804	7
225	M-WR-0828-0450	2428106075P	JUMPER	0.6 *7.5mm	J901	7
226	M-WR-0828-0450	2428106075P	JUMPER	0.6 *7.5mm	J902	7
227	M-WR-0828-0478	2428106100P	JUMPER	0.6 *10.0mm	J903	10
228	M-WR-0828-0478	2428106100P	JUMPER	0.6 *10.0mm	J904	10
229	M-WR-0828-0450	2428106075P	JUMPER	0.6 *7.5mm	J905	7
230	M-WR-0828-0478	2428106100P	JUMPER	0.6 *10.0mm	J906	10
231	M-WR-0828-0478	2428106100P	JUMPER	0.6 *10.0mm	J907	10
232	M-WR-0828-0455	2428106050P	JUMPER	6 *5.0mm	J908	5
233	M-WR-0828-0455	2428106050P	JUMPER	6 *5.0mm	J909	5
234	M-WR-0828-0450	2428106075P	JUMPER	0.6 *7.5mm	J910	7
235	N/A	2434325603P	SHIELDING TAPE	W25*L60mm (AL)	K901	1
236	E-L-0407-0013	2379101495P	FERRITE CORE	3.5*9*0.8	L102	1
237	E-L-0407-0013	2379101495P	FERRITE CORE	3.5*9*0.8	L103	1
238	E-L-0407-0013	2379101495P	FERRITE CORE	3.5*9*0.8	L104	1
239	E-L-0407-0013	2379101495P	FERRITE CORE	3.5*9*0.8	L105	1
240	M-WR-0828-0478	2428106100P	JUMPER	0.6 *10.0mm	L801	10
241	E-L-0407-0013	2379101495P	FERRITE CORE	3.5*9*0.8	L802	1
242	N/A	2371150903P	COIL_CHOKE	5uH 7.8*10 2UEW 0.65mm/12.5Ts	L803	1
243	N/A	2371150903P	COIL_CHOKE	5uH 7.8*10 2UEW 0.65mm/12.5Ts	L804	1
244	N/A	2371145301P	COIL_CHOKE	ET-20 45mH 2UEW 0.26mm/55+55Ts	L805	1
245	E-L-0407-0976	2379101491P	FERRITE CORE	3.5*9*0.8	L806	1
246	M-WR-0828-0455	2428106050P	JUMPER	6 *5.0mm	L808	5
247	M-WR-0828-0460	2428106125P	JUMPER	6 *12.5mm	L901	12
248	N/A	2404371012P	CONNECTOR	JST PH 13P TOP P=2.0 OR EQUAL	P101	1
249	N/A	2404321230P	CONNECTOR	CF10301D0T0 CVILUX	P102	1
250	N/A	2404371007P	CONNECTOR	JST PH 8P TOP P=2.0 OR EQUAL	P103	1
251	CB-00005736	2427408202P	WIRE HARNESS	8/8P H/B 1061#26 L=200mm P=2.0	P701	1
252	N/A	2404380302P	CONNECTOR	87210-0236 P=3.5 ACE OR EQUAL	P901	1
253	N/A	2404380302P	CONNECTOR	87210-0236 P=3.5 ACE OR EQUAL	P902	1
254	N/A	2404380302P	CONNECTOR	87210-0236 P=3.5 ACE OR EQUAL	P903	1
255	N/A	2404380302P	CONNECTOR	87210-0236 P=3.5 ACE OR EQUAL	P904	1
256	A-00003623	2427130123P	AC POWER CORD	TAIWAN WALL 1.83M BLACK	P951	1
257	CB-00003009	2427501191P	I/O CABLE	D15/C13 20276(4.5) 1.83M BLACK	P961	1
258	N/A	2420306301P	FFC CABLE	FFC 30P*0.5mm*L80mm	P980	1
259	M-00003554	2097400301P	EYELET	BSS3-1/2H T=0.25 SN 3uM	PG85	1
260	M-00003554	2097400301P	EYELET	BSS3-1/2H T=0.25 SN 3uM	PG86	1
261	M-00003554	2097400301P	EYELET	BSS3-1/2H T=0.25 SN 3uM	PG87	1
262	E-Q-0402-0718	2361316191P	XISTOR,NPN R	2PC945P TO-92 PHILIPS	Q101	1
263	N/A	2360501396P	FET,P-CH SMD	AP2305GN SOT23 APEC	Q102	1
264	N/A	2360100696P	XISTOR,PNP R SMD	PMBS3906 SOT-23 PHILIPS	Q103	1
265	N/A	2360100696P	XISTOR,PNP R SMD	PMBS3906 SOT-23 PHILIPS	Q104	1
266	N/A	2361610900P	FET,N-CH	AP04N70BF-H(LF) TO-220FM APEC	Q801	1
267	N/A	2361410691P	XISTOR,NPN A	MPS3904 SOT-54 PHILIPS	Q803	1
268	N/A	2361210391P	XISTOR,PNP A	MPS3906 SOT-54 PHILIPS	Q804	1
269	E-Q-0402-0720	2361111491P	XISTOR,PNP R	2PA733P TO-92 PHILIPS	Q805	1
270	E-Q-0402-0718	2361316191P	XISTOR,NPN R	2PC945P TO-92 PHILIPS	Q806	1
271	E-Q-0402-0718	2361316191P	XISTOR,NPN R	2PC945P TO-92 PHILIPS	Q901	1
272	N/A	2360609596P	FET,N-CH(SMD)	AP9977GM SO-8 APEC	Q905	1
273	N/A	2361609891P	FET,N-CH	2N7000TA TO-92 FAIRCHILD	Q907	1
274	N/A	2361609891P	FET,N-CH	2N7000TA TO-92 FAIRCHILD	Q908	1
275	N/A	2361609891P	FET,N-CH	2N7000TA TO-92 FAIRCHILD	Q909	1
276	N/A	2361609891P	FET,N-CH	2N7000TA TO-92 FAIRCHILD	Q910	1
277	N/A	2360609596P	FET,N-CH(SMD)	AP9977GM SO-8 APEC	Q911	1
278	E-R-0405-2776	2239207505P	RES.PRE 1/4 S	RN 1/4WS 75.00 F T52 MINI	R101	1
279	E-R-0405-2776	2239207505P	RES.PRE 1/4 S	RN 1/4WS 75.00 F T52 MINI	R102	1
280	E-R-0405-2776	2239207505P	RES.PRE 1/4 S	RN 1/4WS 75.00 F T52 MINI	R103	1
281	E-R-0405-3216	2233447095P	RES.CBN 1/4 S	RD 1/4WS 47 ohm J T52	R104	1
282	E-R-0405-3216	2233447095P	RES.CBN 1/4 S	RD 1/4WS 47 ohm J T52	R105	1
283	E-R-0405-3216	2233447095P	RES.CBN 1/4 S	RD 1/4WS 47 ohm J T52	R106	1
284	E-R-0405-3216	2233447095P	RES.CBN 1/4 S	RD 1/4WS 47 ohm J T52	R107	1
285	E-R-0405-3216	2233447095P	RES.CBN 1/4 S	RD 1/4WS 47 ohm J T52	R108	1
286	E-R-0405-3216	2233447095P	RES.CBN 1/4 S	RD 1/4WS 47 ohm J T52	R109	1
287	E-R-0405-2367	2233422295P	RES.CBN 1/4 S	RD 1/4WS 2.2Kohm J T52	R110	1
288	E-R-0405-3429	2233475095P	RES.CBN 1/4 S	RD 1/4WS 75.00 J T52 MINI	R111	1
289	E-R-0405-2367	2233422295P	RES.CBN 1/4 S	RD 1/4WS 2.2Kohm J T52	R112	1
290	E-R-0405-1757	2233410195P	RES.CBN 1/4 S	RD 1/4WS 100 ohm J T52	R113	1
291	E-R-0405-1757	2233410195P	RES.CBN 1/4 S	RD 1/4WS 100 ohm J T52	R114	1
292	E-R-0405-1757	2233410195P	RES.CBN 1/4 S	RD 1/4WS 100 ohm J T52	R115	1
293	E-R-0405-3430	2233439195P	RES.CBN 1/4 S	RD 1/4WS 390 ohm J T52	R116	1
294	E-R-0405-3214	2233410395P	RES.CBN 1/4 S	RD 1/4WS 10Kohm J T52	R117	1
295	E-R-0405-1757	2233410195P	RES.CBN 1/4 S	RD 1/4WS 100 ohm J T52	R118	1
296	M-WR-0828-0450	2428106075P	JUMPER	0.6 *7.5mm	R119	7
297	M-WR-0828-0450	2428106075P	JUMPER	0.6 *7.5mm	R121	7
298	E-R-0405-3211	2233447295P	RES.CBN 1/4 S	RD 1/4WS 4.7Kohm J T52	R122	1
299	E-R-0405-3211	2233447295P	RES.CBN 1/4 S	RD 1/4WS 4.7Kohm J T52	R123	1
300	E-R-0405-0645	2233420195P	RES.CBN 1/4 S	RD 1/4WS 200 ohm J T52	R124	1
301	E-R-0405-2367	2233422295P	RES.CBN 1/4 S	RD 1/4WS 2.2Kohm J T52	R125	1
302	E-R-0405-3213	2233410595P	RES.CBN 1/4 S	RD 1/4WS 1.0Kohm J T52	R126	1
303	E-R-0405-3214	2233410395P	RES.CBN 1/4 S	RD 1/4WS 10Kohm J T52	R127	1
304	E-R-0405-3214	2233410395P	RES.CBN 1/4 S	RD 1/4WS 10Kohm J T52	R128	1
305	E-R-0405-3214	2233410395P	RES.CBN 1/4 S	RD 1/4WS 10Kohm J T52	R132	1
306	E-R-0405-3214	2233410395P	RES.CBN 1/4 S	RD 1/4WS 10Kohm J T52	R133	1
307	E-R-0405-3215	2233447195P	RES.CBN 1/4 S	RD 1/4WS 470 ohm J T52	R134	1
308	E-R-0405-3214	2233410395P	RES.CBN 1/4 S	RD 1/4WS 10Kohm J T52	R135	1
309	E-R-0405-3214	2233410395P	RES.CBN 1/4 S	RD 1/4WS 10Kohm J T52	R136	1
310	E-R-0405-3215	2233447195P	RES.CBN 1/4 S	RD 1/4WS 470 ohm J T52	R137	1
311	E-R-0405-0078	2233456195P	RES.CBN 1/4 S	RD 1/4WS 560 ohm J T52	R138	1
312	E-R-0405-6428	2235410903P	RES.MTL 1	RS 1W 1 ohm J P=15.0	R139	1
313	E-R-0405-3211	2233447295P	RES.CBN 1/4 S	RD 1/4WS 4.7Kohm J T52	R161	1
314	E-R-0405-3214	2233410395P	RES.CBN 1/4 S	RD 1/4WS 10Kohm J T52	R162	1
315	E-R-0405-3214	2233410395P	RES.CBN 1/4 S	RD 1/4WS 10Kohm J T52	R163	1
316	E-TH-0416-0042	2229201212P	THERMISTOR,PTH	SCK-103 THINKING	R802	1
317	N/A	2233491495P	RES.CBN 1/4 S	RD 1/4WS 910Kohm J T52	R803	1
318	E-00005137	2239233235P	RES.PRE 1/4 S	RN 1/4WS 332Kohm F T52	R804	1
319	N/A	2239261935P	RES.PRE 1/4 S	RN 1/4WS 619Kohm F T52	R805	1
320	E-00005137	2239233235P	RES.PRE 1/4 S	RN 1/4WS 332Kohm F T52	R806	1
321	N/A	2233439095P	RES.CBN 1/4 S	RD 1/4WS 39 ohm J T52	R807	1
322	N/A	2239211035P	RES.PRE 1/4 S	RN 1/4WS 110Kohm F T52	R808	1
323	E-R-0405-3216	2233447095P	RES.CBN 1/4 S	RD 1/4WS 47 ohm J T52	R809	1
324	E-00003249	2236560476P	RES.MTL 2WS	RS 2WS 0.604 ohm P=7.0 G	R811	1
325	N/A	2233491495P	RES.CBN 1/4 S	RD 1/4WS 910Kohm J T52	R812	1

Item	ViewSonic P/N	Ref. P/N	Description	Location	Universal number#	Q'ty
326	E-R-0405-2306	2233433295P	RES.CBN 1/4 S	RD 1/4WS 3.3Kohm J T52	R815	1
327	N/A	2233447913P	RES.MTL 1	RS 1WS 4.7ohm J P=12.5	R820	1
328	N/A	2233610095P	RES.CBN 1/2WS	RD 1/2WS 10 ohm J T52	R821	1
329	E-R-0405-3235	2233410295P	RES.CBN 1/4 S	RD 1/4WS 1Kohm J T52	R823	1
330	E-R-0405-2818	2239224325P	RES.PRE 1/4 S	RN 1/4WS 24.3Kohm F T52	R824	1
331	N/A	2239218215P	RES.PRE 1/4 S	RN 1/4WS 1.82Kohm F T	R825	1
332	E-R-0405-0063	2233456295P	RES.CBN 1/4 S	RD 1/4WS 5.6Kohm J T52	R826	1
333	N/A	2239215815P	RES.PRE 1/4 S	RN 1/4WS 1.58Kohm F T52	R828	1
334	E-R-0405-3034	2239210015P	RES.PRE 1/4 S	RN 1/4WS 1Kohm F T52	R830	1
335	N/A	2239291025P	RES.PRE 1/4 S	RN 1/4WS 91.0Kohm F T52	R831	1
336	E-R-0405-1171	2233482195P	RES.CBN 1/4 S	RD 1/4WS 820 ohm J T52	R832	1
337	E-R-0405-3221	2233410495P	RES.CBN 1/4 S	RD 1/4WS 100Kohm J T52	R833	1
338	E-R-0405-3221	2233410495P	RES.CBN 1/4 S	RD 1/4WS 100Kohm J T52	R834	1
339	E-R-0405-3221	2233410495P	RES.CBN 1/4 S	RD 1/4WS 100Kohm J T52	R835	1
340	E-R-0405-3221	2233410495P	RES.CBN 1/4 S	RD 1/4WS 100Kohm J T52	R836	1
341	E-R-0405-2367	2233422295P	RES.CBN 1/4 S	RD 1/4WS 2.2Kohm J T52	R837	1
342	N/A	2239261935P	RES.PRE 1/4 S	RN 1/4WS 619Kohm F T52	R839	1
343	E-R-0405-3235	2233410295P	RES.CBN 1/4 S	RD 1/4WS 1Kohm J T52	R840	1
344	E-R-0405-4713	2233418295P	RES.CBN 1/4 S	RD 1/4WS 1.8Kohm J T52	R841	1
345	E-R-0405-2306	2233433295P	RES.CBN 1/4 S	RD 1/4WS 3.3Kohm J T52	R842	1
346	E-00005137	2239233235P	RES.PRE 1/4 S	RN 1/4WS 332Kohm F T52	R843	1
347	N/A	2239261935P	RES.PRE 1/4 S	RN 1/4WS 619Kohm F T52	R844	1
348	E-R-0405-3235	2233410295P	RES.CBN 1/4 S	RD 1/4WS 1Kohm J T52	R845	1
349	E-R-0405-1171	2233482195P	RES.CBN 1/4 S	RD 1/4WS 820 ohm J T52	R846	1
350	E-R-0405-3235	2233410295P	RES.CBN 1/4 S	RD 1/4WS 1Kohm J T52	R847	1
351	E-R-0405-5980	2239210025P	RES.PRE 1/4 S	RN 1/4WS 10Kohm F T	R851	1
352	E-R-0405-3216	2233447095P	RES.CBN 1/4 S	RD 1/4WS 47 ohm J T52	R853	1
353	E-R-0405-1171	2233482195P	RES.CBN 1/4 S	RD 1/4WS 820 ohm J T52	R854	1
354	E-R-0405-2367	2233422295P	RES.CBN 1/4 S	RD 1/4WS 2.2Kohm J T52	R855	1
355	N/A	2242315595P	HIGH VOLTAGE RESISTOR	RD 1/2W 1.5Mohm J T52	R905	1
356	N/A	2232410095P	RES.CBN 1/4	RD 1/4W 10 ohm J T	R906	1
357	N/A	2232410095P	RES.CBN 1/4	RD 1/4W 10 ohm J T	R907	1
358	E-R-0405-3214	2233410395P	RES.CBN 1/4 S	RD 1/4WS 10Kohm J T52	R908	1
359	E-R-0405-0727	2239222015P	RES.PRE 1/4 S	RN 1/4WS 2.2Kohm F T52	R909	1
360	N/A	2232410095P	RES.CBN 1/4	RD 1/4W 10 ohm J T	R911	1
361	N/A	2232410095P	RES.CBN 1/4	RD 1/4W 10 ohm J T	R912	1
362	E-R-0405-3526	2233427195P	RES.CBN 1/4 S	RD 1/4WS 270 ohm J T52	R913	1
363	N/A	2239245305P	RES.PRE 1/4 S	RN 1/4WS 453 ohm F T	R914	1
364	M-WR-0828-0450	2428106075P	JUMPER	0.6 *7.5mm	R915	7
365	M-WR-0828-0478	2428106100P	JUMPER	0.6 *10.0mm	R916	10
366	E-R-0405-3526	2233427195P	RES.CBN 1/4 S	RD 1/4WS 270 ohm J T52	R917	1
367	E-R-0405-3213	2233410595P	RES.CBN 1/4 S	RD 1/4WS 1.0Mohm J T52	R918	1
368	N/A	2239278705P	RES.PRE 1/4 S	RN 1/4WS 787 ohm F T	R919	1
369	N/A	2239278705P	RES.PRE 1/4 S	RN 1/4WS 787 ohm F T	R920	1
370	E-R-0405-6218	2233451295P	RES.CBN 1/4 S	RD 1/4WS 5.1Kohm J T52	R921	1
371	N/A	2233451595P	RES.CBN 1/4 S	RD 1/4WS 5.1Mohm J T	R922	1
372	N/A	2239211035P	RES.PRE 1/4 S	RN 1/4WS 110Kohm F T52	R923	1
373	E-R-0405-3213	2233410595P	RES.CBN 1/4 S	RD 1/4WS 1.0Mohm J T52	R924	1
374	N/A	2242315595P	HIGH VOLTAGE RESISTOR	RD 1/2W 1.5Mohm J T52	R925	1
375	N/A	2239291025P	RES.PRE 1/4 S	RN 1/4WS 91.0Kohm F T52	R926	1
376	E-R-0405-0727	2239222015P	RES.PRE 1/4 S	RN 1/4WS 2.2Kohm F T52	R927	1
377	N/A	2239251125P	RES.PRE 1/4 S	RN 1/4WS 51.1Kohm F T52	R929	1
378	E-R-0405-6218	2233451295P	RES.CBN 1/4 S	RD 1/4WS 5.1Kohm J T52	R930	1
379	N/A	2239245305P	RES.PRE 1/4 S	RN 1/4WS 453 ohm F T	R932	1
380	M-WR-0828-0450	2428106075P	JUMPER	0.6 *7.5mm	R933	7
381	E-R-0405-3213	2233410595P	RES.CBN 1/4 S	RD 1/4WS 1.0Mohm J T52	R934	1
382	M-WR-0828-0478	2428106100P	JUMPER	0.6 *10.0mm	R935	10
383	N/A	2239278705P	RES.PRE 1/4 S	RN 1/4WS 787 ohm F T	R936	1
384	N/A	2239278705P	RES.PRE 1/4 S	RN 1/4WS 787 ohm F T	R937	1
385	N/A	2259210308P	RES.CHIP NETWORKS	8P4R 1/16W 10Kohm J P=0.8	RP01	1
386	N/A	2259210308P	RES.CHIP NETWORKS	8P4R 1/16W 10Kohm J P=0.8	RP02	1
387	N/A	2259210308P	RES.CHIP NETWORKS	8P4R 1/16W 10Kohm J P=0.8	RP03	1
388	E-R-0405-6608	2259210108P	RES.CHIP NETWORKS	8P4R 1/16W 100 ohm J P=0.8	RP04	1
389	E-R-0405-6608	2259210108P	RES.CHIP NETWORKS	8P4R 1/16W 100 ohm J P=0.8	RP05	1
390	N/A	2259227208P	RES.CHIP NETWORKS	8P4R 1/16W 2.7Kohm J P=0.8	RP06	1
391	E-R-0405-6007	2259247208P	RES.CHIP NETWORKS	8P4R 1/16W 4.7Kohm J P=0.8	RP07	1
392	M-SW-0815-0182	2403702200P	TACT SWITCH	TSAA-2 HUAJIE	S701	1
393	M-SW-0815-0182	2403702200P	TACT SWITCH	TSAA-2 HUAJIE	S702	1
394	M-SW-0815-0182	2403702200P	TACT SWITCH	TSAA-2 HUAJIE	S703	1
395	M-SW-0815-0182	2403702200P	TACT SWITCH	TSAA-2 HUAJIE	S704	1
396	M-SW-0815-0182	2403702200P	TACT SWITCH	TSAA-2 HUAJIE	S705	1
397	N/A	2407413100P	SOCKET	0711-02-P10-9 INALWAYS	S801	1
398	N/A	2407200991P	HOLDER.FUSE	CQ-05T CONQUER	S802	1
399	N/A	2407200991P	HOLDER.FUSE	CQ-05T CONQUER	S803	1
400	N/A	2374228012P	XFORMER.POWR	PT-003701-1 LAI-TAI	T801	1
401	N/A	2374301000P	XFORMER INVERTER	EEL-19 22/2000Ts 0.1*20/0.06mm	T901	1
402	N/A	2374301000P	XFORMER INVERTER	EEL-19 22/2000Ts 0.1*20/0.06mm	T902	1
403	E-00003308	2202130701P	PC BOARD	JT178QP4D M/B FR1 228*145 2.01	U101	1
404	N/A	2202131400P	PC BOARD	VE910 K/B FR1 120*23.5 V1.00	U701	1
405	E-00004574	2212007900P	LCD PANEL	HSD190ME13-A02 (A) 8ms HSD	V901	1
	E-00005842	2212010700P	LCD PANEL	HSD190ME13-A16 (A) 8ms HSD	V901	1
406	E-X-0415-0119	2369103601P	XTAL.OSC	12.0000MHZ/49US 0.1mW/30pF	X101	1
407	N/A	2363516895P	DIODE.ZENER	HZ6B-2 5.6-5.9V DO-35 HITACHI	Z101	1
408	N/A	2363516895P	DIODE.ZENER	HZ6B-2 5.6-5.9V DO-35 HITACHI	Z102	1
409	N/A	2363516895P	DIODE.ZENER	HZ6B-2 5.6-5.9V DO-35 HITACHI	Z103	1
410	N/A	2363516895P	DIODE.ZENER	HZ6B-2 5.6-5.9V DO-35 HITACHI	Z104	1
411	N/A	2363516895P	DIODE.ZENER	HZ6B-2 5.6-5.9V DO-35 HITACHI	Z105	1

**G Model**

Item	ViewSonic P/N	Ref. P/N	Description	Location	Universal number#	Q'ty
1	A-PC-0106-0277	2427130097P	AC POWER CORD	CHINA WALL 1.83M BLACK	P951	1
2	DC-00003461	2002310402P	GUARANT CARD	VIEWSONIC WARRANTY CARD-C 2004	6P07	1
3	M-LB-0813-0862	2056606025P	SERIAL LABEL	VS CN WARRANTY CARD SN STICKER	6P08	2
4	M-LB-0813-0863	2056606010P	SERIAL LABEL	VIEWSONIC BOX STICKER-G	6P12	1
5	M-LB-0813-0864	2056606009P	SERIAL LABEL	VIEWSONIC SERVICE STICKER-G	6P15	1

## BOM LIST (VA902b-3)

ViewSonic Model Number: VS10715

Rev: 1a

Serial No. Prefix: QAL

M model	Item	ViewSonic P/N	Ref. P/N	Description	Location	Universal number#	Q'ty
	1	N/A	2024268704P	FRONT BEZEL	ABS 94HB MIDNIGHT GRAY VA902B	1F01	1
	2	PL-00003024	2053754700P	LED INDIC.-PWR	VE910 PMMA 94HB COLOR CLEAR	1F02	1
	3	PL-00003025	2044267101P	FUNCTION KEY	ABS 94HB ELECTROPLATE AL	1F03	1
	4	M-MS-0808-9214	2051352100P	NAME PLATE	VIEWSONIC E015-006 3-BIRD LOGO	1F04	1
	5	N/A	2051352800P	NAME PLATE	38.00MM*5.90MM	1F05	1
	6	HW-00003026	2071974300P	METAL FITTG	VE910 SECC T=0.8 FOR PANEL	1F10	1
	7	M-SCW-0824-6715	2080002200P	SCREW.SPE	L355 M3x6 DH NICKEL-PLATED	1F11	1
	8	M-SCW-0824-0811	2080003700P	SCREW.SPE	ISZZTER001A M3*6L MSWR17/FZMYI	1F12	4
	9	M-SCW-0824-0811	2080003700P	SCREW.SPE	ISZZTER001A M3*6L MSWR17/FZMYI	1F13	7
	10	HW-00003027	2071673800P	SHIELD PLATE	VE910 SPTE T=0.3	1F14	1
	11	M-SCW-0824-6719	2082630062P	SCREW	M3X6 P=0.5	1F15	1
	12	M-SCW-0824-0811	2080003700P	SCREW.SPE	ISZZTER001A M3*6L MSWR17/FZMYI	1F16	2
	13	M-00003862	2072460100P	INSULATOR	48*54*0.5T	1F17	1
	14	N/A	2072460200P	INSULATOR	PC SHEET T=0.5 FR700 94V0	1F18	1
	15	N/A	2061455100P	BUSHING	RUBBER CR BLACK 94HB	1F19	1
	16	HW-00003028	2071874300P	BRACKET.FIX	SECC T=0.8 VE910 ACINLET	1F21	1
	17	N/A	2061455300P	BUSHING	10*15*7.5MM TAPE=T4000	1F22	1
	18	N/A	2055690013P	LABEL	EnergyStar Sticker 11*11mm	1F23	1
	19	N/A	2022263502P	CABI BACK	VE910-B ABS 94HB MIDNIGHT GRAY	2C01	1
	20	M-MS-0808-9396	2051352202P	NAME PLATE	NAME PLATE VIEWSONIC E015-027	2C02	1
	21	HW-00003031	2071872900P	BRACKET.FIX	JT198QP SECC 0.8T WALL MOUNT	2C10	1
	22	HW-00003032	2106657000P	HINGE	VE910 -5°~+20°-90°	2C20	1
	23	M-SCW-0824-0851	2082340072P	SCREW.CSK+	SCREW CSK+ M4*7	2C21	1
	24	M-SCW-0824-0123	2084740102P	SCREW.BND T+	M4X10(BND T+)	2C22	4
	25	M-SCW-0824-6944	2084740124P	SCREW.BND T+	M4X12(BND T+) (BLK)	2C23	1
	26	M-SCW-0824-6746	2087340126P	SCREW.B SPW+	4X12(+SWRM-3 ZMC2-C	2C25	2
	27	M-BK-0805-0070	2071869400P	BRACKET.FIX	MKAL PLATE 1.0MM KENSINGTON	2C30	1
	28	M-SCW-0824-0285	2084730082P	SCREW.BND T+	M3X8(BND T+)	2C40	4
	29	M-MS-0808-9408	2061453400P	BUSHING	VE710 FLUG RUBBER	2C50	2
	30	PL-00004517	2028259302P	STAND	VE910-B ABS 94HB MIDNIGHT GRAY	5B01	1
	31	HW-00003033	2071974400P	METAL FITTG	VE910 SECC T=1.5 FOR STAND	5B10	1
	32	PL-PD-0714-0113	2039819301P	FOOT PAD	RUBBER 020*2TMM SQUARE GRAIN	5B11	1
	33	M-SCW-0824-0285	2084730082P	SCREW.BND T+	M3X8(BND T+)	5B12	5
	34	PL-00003034	2027260401P	DUST COVER	ABS 94HB ELECTROPLATE AL	5B20	4
	35	M-LB-0813-0769	2055613293P	LABEL	VIEWSONIC OPEN STAND LABEL-LCD	5B30	2
	36	P-00005839	2011033001P	CARTON BOX	VA902B-3 VS10715 TCO03	6P01	1
	37	N/A	2055670044P	LABEL	VA902B-3 VS10715(M) HSD	6P02	1
	38	N/A	2055613477P	LABEL	VIEWSONIC NO.3 STICKER	6P03	1
	39	N/A	2055613441P	LABEL	VIEWSONIC 8ms STICKER 89X58mm	6P04	1
	40	N/A	2055636047P	LABEL	VA902B VS10715 SMALL LABEL	6P05	2
	41	DC-00001586	2055613435P	LABEL	VIEWSONIC INSET PAGE-1280X1024	6P06	1
	42	M-LB-0813-0856	2055613379P	LABEL	VIEWSONIC CONTAINER LABEL	6P11	1
	43	M-LB-0813-0530	2055617101P	LABEL	10*20 HI-POT TESTED OK	6P13	0
	44	M-LB-0813-0959	2055613392P	LABEL	VSC HIGH VOLTAGE WARNING LABEL	6P14	1
	45	P-00003014	2012179800P	POLYFOAM	VE910-EPS (L)	6P20	1
	46	P-00003015	2012179900P	POLYFOAM	VE910-EPS (R)	6P21	1
	47	N/A	2055170091P	LABEL	VA902B-3 VS10715 HSD TCO03	6P50	1
	48	M-MS-0808-1317	2013053000P	POLYETHY BAG	90CMX75CMX0.02 PE-LD	6P60	1
	49	DC-00005835	2438570017P	CD-OWNER GUIDE	VA902B-3 WIZARD VS10715 HSD	6P80	1
	50	DC-00005834	2002370022P	GUARANT CARD	VIEWSONIC VA902-3 QSG	6P84	1
	51	N/A	2013228806P	POLYETHY BAG	135X250X0.03T mm LDPE VSC LCD	6P85	1
	52	N/A	2072253903P	HEAT SINK	JT178DP SPTE T=1MM	9H01	1
	53	N/A	2072261500P	HEAT SINK	JT178DP 40L*35W*20H AL T=3	9H02	1
	54	N/A	2072261401P	HEAT SINK	JT178QP AL6063S-75 30*20*15	9H03	1
	55	N/A	2072261900P	HEAT SINK	JT198QP SPTE 0.8t 18x11x43	9H04	1
	56	N/A	2105251400P	SPRING PLATE	SPTE T=0.4MM (GROUND PLATE)	9H11	1
	57	N/A	2105251400P	SPRING PLATE	SPTE T=0.4MM (GROUND PLATE)	9H12	1
	58	N/A	2105251400P	SPRING PLATE	SPTE T=0.4MM (GROUND PLATE)	9H13	1
	59	M-SCW-0824-0285	2084730082P	SCREW.BND T+	M3X8(BND T+)	9S01	1
	60	M-SCW-0824-0285	2084730082P	SCREW.BND T+	M3X8(BND T+)	9S02	1
	61	M-SCW-0824-0285	2084730082P	SCREW.BND T+	M3X8(BND T+)	9S03	1
	62	E-C-0404-1841	2281447391P	CAP CER	CC 0.047u/ 50V Y5V P=5.0 Z T	C101	1
	63	E-C-0404-1841	2281447391P	CAP CER	CC 0.047u/ 50V Y5V P=5.0 Z T	C102	1
	64	E-C-0404-1841	2281447391P	CAP CER	CC 0.047u/ 50V Y5V P=5.0 Z T	C103	1
	65	E-C-0404-1841	2281447391P	CAP CER	CC 0.047u/ 50V Y5V P=5.0 Z T	C104	1
	66	E-C-0404-1841	2281447391P	CAP CER	CC 0.047u/ 50V Y5V P=5.0 Z T	C105	1
	67	E-C-0404-1841	2281447391P	CAP CER	CC 0.047u/ 50V Y5V P=5.0 Z T	C106	1
	68	E-C-0404-2980	2272133091P	CAP CER	TC 33p/50V CH P=5.0 J T	C107	1
	69	E-C-0404-1119	2272122191P	CAP CER	TC 220p/50V CH P=5.0 J T	C108	1
	70	E-C-0404-1815	2281410491P	CAP CER	CC 0.1u/ 50V Y5V P=5.0 Z T	C109	1
	71	E-C-0404-1841	2281447391P	CAP CER	CC 0.047u/ 50V Y5V P=5.0 Z T	C110	1
	72	N/A	2333347691P	CAP ELE 105°C	EC 47u/ 16V 5*11 P=5.0 T	C112	1
	73	E-C-0404-1815	2281410491P	CAP CER	CC 0.1u/ 50V Y5V P=5.0 Z T	C113	1
	74	E-C-0404-1815	2281410491P	CAP CER	CC 0.1u/ 50V Y5V P=5.0 Z T	C114	1
	75	N/A	2333347691P	CAP ELE 105°C	EC 47u/ 16V 5*11 P=5.0 T	C115	1
	76	E-C-0404-1815	2281410491P	CAP CER	CC 0.1u/ 50V Y5V P=5.0 Z T	C116	1
	77	N/A	2333347691P	CAP ELE 105°C	EC 47u/ 16V 5*11 P=5.0 T	C117	1
	78	E-C-0404-1815	2281410491P	CAP CER	CC 0.1u/ 50V Y5V P=5.0 Z T	C118	1
	79	E-C-0404-1815	2281410491P	CAP CER	CC 0.1u/ 50V Y5V P=5.0 Z T	C119	1
	80	E-C-0404-2271	2333310791P	CAP ELE 105°C	EC 100u/ 16V 6.3*11 P=5.0 T	C120	1
	81	E-C-0404-1815	2281410491P	CAP CER	CC 0.1u/ 50V Y5V P=5.0 Z T	C121	1
	82	E-C-0404-1815	2281410491P	CAP CER	CC 0.1u/ 50V Y5V P=5.0 Z T	C122	1
	83	E-C-0404-1834	2333647591P	CAP ELE 105°C	EC 4.7u/ 50V 5*11 P=5.0 T	C123	1
	84	N/A	2333347691P	CAP ELE 105°C	EC 47u/ 16V 5*11 P=5.0 T	C124	1
	85	E-C-0404-1815	2281410491P	CAP CER	CC 0.1u/ 50V Y5V P=5.0 Z T	C125	1
	86	E-C-0404-3092	2272110091P	CAP CER	TC 10p/50V CH P=5.0 J T	C127	1
	87	E-C-0404-1815	2281410491P	CAP CER	CC 0.1u/ 50V Y5V P=5.0 Z T	C128	1
	88	E-C-0404-1424	2333610591P	CAP ELE 105°C	EC 1u/ 50V 5*11 P=5.0 T	C136	1
	89	E-C-0404-2271	2333310791P	CAP ELE 105°C	EC 100u/ 16V 6.3*11 P=5.0 T	C141	1
	90	E-C-0404-2271	2333310791P	CAP ELE 105°C	EC 100u/ 16V 6.3*11 P=5.0 T	C144	1
	91	E-C-0404-3092	2272110091P	CAP CER	TC 10p/50V CH P=5.0 J T	C146	1
	92	E-C-0404-3092	2272110091P	CAP CER	TC 10p/50V CH P=5.0 J T	C147	1
	93	E-C-0404-1838	2333610691P	CAP ELE 105°C	EC 10u/ 50V 5*11 P=5.0 T	C189	1
	94	N/A	2300947401P	CAP.MTL MINI	X2 0.47u/275V P=15.0 M C	C801	1
	95	E-C-0404-1855	2287247212P	CAP CER	Y2 4700p/250V Y5V P=10.0 M K	C802	1

Item	ViewSonic P/N	Ref. P/N	Description	Location	Universal number#	Q'ty
96	E-C-0404-1855	2287247212P	CAP CER	Y2 4700p/250V Y5V P=10.0 M K	C803	1
97	N/A	2357510708P	EC HI-RIPPLE 105C 400V	EC 100u/400V 18*32 P=7.5 S	C805	1
98	E-C-0404-2262	2285110291P	CAP CER	CC 1000p/1KV Y5P P=5.0 K T	C806	1
99	E-C-0404-4833	2281110491P	CAP CER	CC 0.1u/50V (Y5P) P=5.0 K T	C807	1
100	N/A	2281118191P	CAP CER	CC 180p/50V (Y5P) P=5.0 K T	C808	1
101	E-C-0404-1838	2333610691P	CAP ELE 105°C	EC 10u/ 50V 5*11 P=5.0 T	C809	1
102	E-C-0404-1833	2333622691P	CAP ELE 105°C	EC 22u/ 50V 5*11 P=5.0 T	C810	1
103	N/A	22811168291P	CAP CER	CC 6800pF/50V K T	C812	1
104	E-C-0404-1834	2333647591P	CAP ELE 105°C	EC 4.7u/ 50V 5*11 P=5.0 T	C815	1
105	N/A	2284122291P	CAP CER	CC 2200pF/1KV P=5.0 K T	C820	1
106	N/A	2284122291P	CAP CER	CC 2200pF/1KV P=5.0 K T	C821	1
107	E-00003250	2330006601P	CAP ELE SPECIAL (3000HR)	EC 1500u/ 16V 13*16 P=5.0 C	C822	1
108	N/A	2330006491P	CAP ELE SPECIAL (3000HR)	EC 470u /16V 10*13 P=5.0 T	C823	1
109	E-00003252	2330006501P	CAP ELE SPECIAL	EC 1000u/ 10V 8*20 P=3.5 C	C824	1
110	N/A	2330006491P	CAP ELE SPECIAL (3000HR)	EC 470u /16V 10*13 P=5.0 T	C825	1
111	E-00003555	2302047291P	CAP.MTL	MEF 4700pF/50V P=5.0 J T	C826	1
112	E-C-0404-1855	2287247212P	CAP CER	Y2 4700p/250V Y5V P=10.0 M K	C831	1
113	E-C-0404-4833	2281110491P	CAP CER	CC 0.1u/50V (Y5P) P=5.0 K T	C832	1
114	E-C-0404-4833	2281110491P	CAP CER	CC 0.1u/50V (Y5P) P=5.0 K T	C845	1
115	E-00003311	2302010491P	CAP.MTL	MEF 0.1uF/50V P=5.0 J T	C901	1
116	E-00004459	2275827001P	CAP CER	TC 27pF/3KV CH J P=7.5 C	C902	1
117	E-00005730	2284022291P	CAP CER	CC 2200p/50V X7R P=5.0 K T	C903	1
118	E-00005730	2284022291P	CAP CER	CC 2200p/50V X7R P=5.0 K T	C904	1
119	N/A	2275450901P	CAP CER	TC 5P/3KV SL P=7.5 J C	C905	1
120	N/A	2330006491P	CAP ELE SPECIAL (3000HR)	EC 470u /16V 10*13 P=5.0 T	C906	1
121	N/A	2284010391P	CAP CER	CC 0.01u/50V X7R P=5.0 K T	C907	1
122	N/A	2302033291P	CAP.MTL	MEF 3300pF/50V P=5.0 J T	C908	1
123	N/A	2302039291P	CAP.MTL	MEF 3900pF/50V P=5.0 J T	C909	1
124	E-C-0404-4833	2281110491P	CAP CER	CC 0.1u/50V (Y5P) P=5.0 K T	C910	1
125	N/A	2302068391P	CAP.MTL	MEF 0.068u/50V P=5.0 J T	C911	1
126	E-C-0404-2273	2272156091P	CAP CER	TC 56p/50V CH P=5.0 J T	C912	1
127	E-C-0404-3470	2272133191P	CAP CER	TC 330p/50V CH P=5.0 J T	C913	1
128	N/A	2302010391P	CAP.MTL	MEF 0.01uF/50V P=5.0 J T	C914	1
129	N/A	2333433691P	CAP ELE 105°C	EC 33u/ 25V 5*11 P=5.0 T	C915	1
130	E-00004459	2275827001P	CAP CER	TC 27pF/3KV CH J P=7.5 C	C916	1
131	E-C-0404-4833	2281110491P	CAP CER	CC 0.1u/50V (Y5P) P=5.0 K T	C917	1
132	N/A	2275450901P	CAP CER	TC 5P/3KV SL P=7.5 J C	C918	1
133	N/A	2302033291P	CAP.MTL	MEF 3300pF/50V P=5.0 J T	C919	1
134	N/A	2302039291P	CAP.MTL	MEF 3900pF/50V P=5.0 J T	C920	1
135	N/A	2284010391P	CAP CER	CC 0.01u/50V X7R P=5.0 K T	C921	1
136	N/A	2330006491P	CAP ELE SPECIAL (3000HR)	EC 470u /16V 10*13 P=5.0 T	C922	1
137	E-C-0404-4833	2281110491P	CAP CER	CC 0.1u/50V (Y5P) P=5.0 K T	C923	1
138	N/A	2302068391P	CAP.MTL	MEF 0.068u/50V P=5.0 J T	C924	1
139	E-C-0404-4833	2281110491P	CAP CER	CC 0.1u/50V (Y5P) P=5.0 K T	C925	1
140	E-00005730	2284022291P	CAP CER	CC 2200p/50V X7R P=5.0 K T	C926	1
141	E-00005730	2284022291P	CAP CER	CC 2200p/50V X7R P=5.0 K T	C927	1
142	E-C-0404-4833	2281110491P	CAP CER	CC 0.1u/50V (Y5P) P=5.0 K T	C928	1
143	E-D-0403-0531	2363600195P	DIODE,SWITCH	1N4148 DO-35 WILLAS	D101	1
144	E-D-0403-0531	2363600195P	DIODE,SWITCH	1N4148 DO-35 WILLAS	D102	1
145	E-D-0403-0531	2363600195P	DIODE,SWITCH	1N4148 DO-35 WILLAS	D103	1
146	E-D-0403-0531	2363600195P	DIODE,SWITCH	1N4148 DO-35 WILLAS	D104	1
147	E-D-0403-0531	2363600195P	DIODE,SWITCH	1N4148 DO-35 WILLAS	D105	1
148	E-D-0403-0531	2363600195P	DIODE,SWITCH	1N4148 DO-35 WILLAS	D106	1
149	E-D-0403-0531	2363600195P	DIODE,SWITCH	1N4148 DO-35 WILLAS	D107	1
150	E-D-0403-0531	2363600195P	DIODE,SWITCH	1N4148 DO-35 WILLAS	D108	1
151	N/A	2363219095P	DIODE,RECT (EOL)	1N4002 DO-41 NI	D109	1
152	N/A	2363219095P	DIODE,RECT (EOL)	1N4002 DO-41 NI	D110	1
153	E-D-0403-1297	2363220895P	DIODE,RECT	1HEQ04 NI	D112	1
154	N/A	2363703891P	LED	3 GRN/YEL	D701	1
155	N/A	2368501800P	RECT.BRIDGE	2KBP06M 600V/2A PEC	D801	1
156	N/A	2363231995P	DIODE,RECT	UF4007 DO-41 1000V/1A PEC	D806	1
157	N/A	2363230795P	DIODE,RECT	1H5G-TG-WS R-1 WILLAS	D807	1
158	E-D-0403-0254	2363507995P	DIODE,ZENER	MTZJ22B 20.64-21.71V ROHM	D808	1
159	E-D-0403-0531	2363600195P	DIODE,SWITCH	1N4148 DO-35 WILLAS	D809	1
160	E-D-0403-1532	2363505995P	DIODE,ZENER	HZ12A2-TA-E DO-35 RENESAS	D810	1
161	E-D-0403-0531	2363600195P	DIODE,SWITCH	1N4148 DO-35 WILLAS	D813	1
162	N/A	2363302800P	DIODE,SCHOTTKY	SRF10120C ITO-220AB MOSPEC	D821	1
163	N/A	2363220212P	DIODE,RECT	31DQ10FC NI	D822	1
164	N/A	2363220212P	DIODE,RECT	31DQ10FC NI	D823	1
165	E-D-0403-0531	2363600195P	DIODE,SWITCH	1N4148 DO-35 WILLAS	D902	1
166	E-D-0403-0531	2363600195P	DIODE,SWITCH	1N4148 DO-35 WILLAS	D905	1
167	E-D-0403-0531	2363600195P	DIODE,SWITCH	1N4148 DO-35 WILLAS	D906	1
168	E-D-0403-0531	2363600195P	DIODE,SWITCH	1N4148 DO-35 WILLAS	D907	1
169	E-D-0403-0531	2363600195P	DIODE,SWITCH	1N4148 DO-35 WILLAS	D908	1
170	E-D-0403-1500	2363222195P	DIODE,RECT	SB140 DO-41 PEC	D909	1
171	E-D-0403-0531	2363600195P	DIODE,SWITCH	1N4148 DO-35 WILLAS	D910	1
172	E-D-0403-0531	2363600195P	DIODE,SWITCH	1N4148 DO-35 WILLAS	D911	1
173	E-D-0403-0531	2363600195P	DIODE,SWITCH	1N4148 DO-35 WILLAS	D912	1
174	E-D-0403-0531	2363600195P	DIODE,SWITCH	1N4148 DO-35 WILLAS	D913	1
175	E-D-0403-0531	2363600195P	DIODE,SWITCH	1N4148 DO-35 WILLAS	D914	1
176	E-D-0403-0531	2363600195P	DIODE,SWITCH	1N4148 DO-35 WILLAS	D915	1
177	E-D-0403-1500	2363222195P	DIODE,RECT	SB140 DO-41 PEC	D916	1
178	E-D-0403-0531	2363600195P	DIODE,SWITCH	1N4148 DO-35 WILLAS	D917	1
179	E-D-0403-0531	2363600195P	DIODE,SWITCH	1N4148 DO-35 WILLAS	D918	1
180	E-D-0403-0531	2363600195P	DIODE,SWITCH	1N4148 DO-35 WILLAS	D919	1
181	E-FS-0410-0009	2213125207P	FUSE	21502.5(2.5A) LITTE	F801	1
182	M-WR-0828-0478	2428106100P	JUMPER	0.6 *10.0mm	F901	1
183	N/A	2365424900P	DIGITAL IC	TSU16AS-LF SDIP-56 Mstar	I101	1
184	N/A	2365500016P	MICRO-CONTROL IC	MTV512GMN64 PDIP-40 MYSON	I102	1
185	N/A	2365335086P	LINEAR IC	AIC1117A-18PY SOT223 AIC	I103	1
186	N/A	2365335010P	LINEAR IC	AP1084T33L TO-220 Anachip	I104	1
187	E-IC-0401-2269	2365915896P	IC,DIGITAL SMD	24LC16BT/SN SO-8 MICROCHIP	I105	1
188	N/A	2365335056P	LINEAR IC	LD7552-BS SOP-8 LEADTREN	I801	1
189	E-PC-0411-0083	2362401800P	PHOTO COUPLR	TLP621 TOSHIBA	I802	1
190	N/A	2365328191P	LINEAR IC	AP431VLA TO-92 ATC	I803	10
191	N/A	2365335046P	LINEAR IC	OZ9932GN SOIC-8 O2-MICRO	I901	1
192	N/A	2365330291P	LINEAR IC	KA78L05AZ TO-92 FAIRCHILD	I902	1
193	M-WR-0828-0478	2428106100P	JUMPER	0.6 *10.0mm	J101	1
194	M-WR-0828-0450	2428106075P	JUMPER	0.6 *7.5mm	J102	10
195	M-WR-0828-0450	2428106075P	JUMPER	0.6 *7.5mm	J103	7
196	M-WR-0828-0450	2428106075P	JUMPER	0.6 *7.5mm	J105	7

Item	ViewSonic P/N	Ref. P/N	Description		Location	Universal number#	Q'ty
197	M-WR-0828-0460	2428106125P	JUMPER	6 *12.5mm	J106		7
198	M-WR-0828-0450	2428106075P	JUMPER	0.6 *7.5mm	J107		12
199	M-MS-0808-0856	2428106200P	JUMPER	0.6 *20mm	J108		7
200	M-WR-0828-0460	2428106125P	JUMPER	6 *12.5mm	J109		20
201	M-WR-0828-0478	2428106100P	JUMPER	0.6 *10.0mm	J110		12
202	M-WR-0828-0478	2428106100P	JUMPER	0.6 *10.0mm	J111		10
203	M-WR-0828-0450	2428106075P	JUMPER	0.6 *7.5mm	J112		10
204	M-WR-0828-0450	2428106075P	JUMPER	0.6 *7.5mm	J113		7
205	M-WR-0828-0450	2428106075P	JUMPER	0.6 *7.5mm	J114		7
206	M-WR-0828-0450	2428106075P	JUMPER	0.6 *7.5mm	J115		7
207	M-WR-0828-0478	2428106100P	JUMPER	0.6 *10.0mm	J116		7
208	M-WR-0828-0450	2428106075P	JUMPER	0.6 *7.5mm	J117		10
209	M-WR-0828-0450	2428106075P	JUMPER	0.6 *7.5mm	J118		7
210	M-WR-0828-0450	2428106075P	JUMPER	0.6 *7.5mm	J119		7
211	M-WR-0828-0450	2428106075P	JUMPER	0.6 *7.5mm	J120		7
212	M-WR-0828-0450	2428106075P	JUMPER	0.6 *7.5mm	J121		7
213	M-WR-0828-0450	2428106075P	JUMPER	0.6 *7.5mm	J122		7
214	M-WR-0828-0455	2428106050P	JUMPER	6 *5.0mm	J123		7
215	M-WR-0828-0451	2428106150P	JUMPER	0.6 *15.0mm	J124		5
216	M-WR-0828-0450	2428106075P	JUMPER	0.6 *7.5mm	J125		15
217	M-WR-0828-0478	2428106100P	JUMPER	0.6 *10.0mm	J126		7
218	M-WR-0828-0450	2428106075P	JUMPER	0.6 *7.5mm	J127		10
219	M-WR-0828-0450	2428106075P	JUMPER	0.6 *7.5mm	J801		7
220	M-WR-0828-0478	2428106100P	JUMPER	0.6 *10.0mm	J802		7
221	M-WR-0828-0450	2428106075P	JUMPER	0.6 *7.5mm	J803		10
222	M-WR-0828-0450	2428106075P	JUMPER	0.6 *7.5mm	J804		7
223	M-WR-0828-0450	2428106075P	JUMPER	0.6 *7.5mm	J901		7
224	M-WR-0828-0450	2428106075P	JUMPER	0.6 *7.5mm	J902		7
225	M-WR-0828-0478	2428106100P	JUMPER	0.6 *10.0mm	J903		7
226	M-WR-0828-0478	2428106100P	JUMPER	0.6 *10.0mm	J904		10
227	M-WR-0828-0450	2428106075P	JUMPER	0.6 *7.5mm	J905		10
228	M-WR-0828-0478	2428106100P	JUMPER	0.6 *10.0mm	J906		7
229	M-WR-0828-0478	2428106100P	JUMPER	0.6 *10.0mm	J907		10
230	M-WR-0828-0455	2428106050P	JUMPER	6 *5.0mm	J908		10
231	M-WR-0828-0455	2428106050P	JUMPER	6 *5.0mm	J909		5
232	M-WR-0828-0450	2428106075P	JUMPER	0.6 *7.5mm	J910		5
233	N/A	2434325603P	CU SHIELDING TAPE	W25*L60mm (AL)	K901		1
234	E-L-0407-0013	2379101495P	FERRITE CORE	3.5*9*0.8	L102		7
235	E-L-0407-0013	2379101495P	FERRITE CORE	3.5*9*0.8	L103		1
236	E-L-0407-0013	2379101495P	FERRITE CORE	3.5*9*0.8	L104		1
237	E-L-0407-0013	2379101495P	FERRITE CORE	3.5*9*0.8	L105		1
238	M-WR-0828-0478	2428106100P	JUMPER	0.6 *10.0mm	L801		1
239	E-L-0407-0013	2379101495P	FERRITE CORE	3.5*9*0.8	L802		10
240	N/A	2371150903P	COIL,CHOKE	5uH 7.8*10 2UEW 0.65mm/12.5Ts	L803		1
241	N/A	2371150903P	COIL,CHOKE	5uH 7.8*10 2UEW 0.65mm/12.5Ts	L804		1
242	N/A	2371145301P	COIL,CHOKE	ET-20 45mH 2UEW 0.26mm/55+55Ts	L805		1
243	E-L-0407-0976	2379101491P	FERRITE CORE	3.5*9*0.8	L806		1
244	M-WR-0828-0455	2428106050P	JUMPER	6 *5.0mm	L808		1
245	M-WR-0828-0460	2428106125P	JUMPER	6 *12.5mm	L901		5
246	N/A	2404371012P	CONNECTOR	JST PH 13P TOP P=2.0 OR EQUAL	P101		1
247	N/A	2404321230P	CONNECTOR	CF10301D0T0 CVILUX	P102		1
248	N/A	2404371007P	CONNECTOR	JST PH 8P TOP P=2.0 OR EQUAL	P103		1
249	CB-00005736	2427408202P	WIRE HARNESS	8/8P H/B 1061#26 L=200mm P=2.0	P701		1
250	N/A	2404380302P	CONNECTOR	87210-0236 P=3.5 ACE OR EQUAL	P901		1
251	N/A	2404380302P	CONNECTOR	87210-0236 P=3.5 ACE OR EQUAL	P902		1
252	N/A	2404380302P	CONNECTOR	87210-0236 P=3.5 ACE OR EQUAL	P903		1
253	N/A	2404380302P	CONNECTOR	87210-0236 P=3.5 ACE OR EQUAL	P904		1
254	A-00005362	2427130046P	AC POWER CORD	USA WALL 1.83M BLACK	P951		1
255	CB-00003009	2427501191P	I/O CABLE	D15/C13 20276(4.5) 1.83M BLACK	P961		1
256	N/A	2420306301P	FFC CABLE	FFC 30P*0.5mm*L80mm	P980		1
257	M-00003554	2097400301P	EYELET	BSS3-1/2H T=0.25 SN 3uM	PG85		12
258	M-00003554	2097400301P	EYELET	BSS3-1/2H T=0.25 SN 3uM	PG86		1
259	M-00003554	2097400301P	EYELET	BSS3-1/2H T=0.25 SN 3uM	PG87		1
260	E-Q-0402-0718	2361316191P	XISTOR.NPN R	2PC945P TO-92 PHILIPS	Q101		1
261	N/A	2360501396P	FET,P-CH SMD	AP2305GN SOT23 APEC	Q102		1
262	N/A	2360100696P	XISTOR.PNP R SMD	PMBS3906 SOT-23 PHILIPS	Q103		1
263	N/A	2360100696P	XISTOR.PNP R SMD	PMBS3906 SOT-23 PHILIPS	Q104		1
264	N/A	2361610900P	FET,N-CH	AP04N70BF-H(LF) TO-220FM APEC	Q801		1
265	N/A	2361410691P	XISTOR.NPN A	MPS3904 SOT-54 PHILIPS	Q803		1
266	N/A	2361210391P	XISTOR.PNP A	MPS3906 SOT-54 PHILIPS	Q804		1
267	E-Q-0402-0720	2361111491P	XISTOR.PNP R	2PA733P TO-92 PHILIPS	Q805		1
268	E-Q-0402-0718	2361316191P	XISTOR.NPN R	2PC945P TO-92 PHILIPS	Q806		1
269	E-Q-0402-0718	2361316191P	XISTOR.NPN R	2PC945P TO-92 PHILIPS	Q901		1
270	N/A	2360609596P	FET,N-CH(SMD)	AP9977GM SO-8 APEC	Q905		1
271	N/A	2361609891P	FET,N-CH	2N7000TA TO-92 FAIRCHILD	Q907		1
272	N/A	2361609891P	FET,N-CH	2N7000TA TO-92 FAIRCHILD	Q908		1
273	N/A	2361609891P	FET,N-CH	2N7000TA TO-92 FAIRCHILD	Q909		1
274	N/A	2361609891P	FET,N-CH	2N7000TA TO-92 FAIRCHILD	Q910		1
275	N/A	2360609596P	FET,N-CH(SMD)	AP9977GM SO-8 APEC	Q911		1
276	E-R-0405-2776	2239207505P	RES,PRE 1/4 S	RN 1/4WS 75.00 F T52 MINI	R101		1
277	E-R-0405-2776	2239207505P	RES,PRE 1/4 S	RN 1/4WS 75.00 F T52 MINI	R102		1
278	E-R-0405-2776	2239207505P	RES,PRE 1/4 S	RN 1/4WS 75.00 F T52 MINI	R103		1
279	E-R-0405-3216	2233447095P	RES,CBN 1/4 S	RD 1/4WS 47 ohm J T52	R104		1
280	E-R-0405-3216	2233447095P	RES,CBN 1/4 S	RD 1/4WS 47 ohm J T52	R105		1
281	E-R-0405-3216	2233447095P	RES,CBN 1/4 S	RD 1/4WS 47 ohm J T52	R106		1
282	E-R-0405-3216	2233447095P	RES,CBN 1/4 S	RD 1/4WS 47 ohm J T52	R107		1
283	E-R-0405-3216	2233447095P	RES,CBN 1/4 S	RD 1/4WS 47 ohm J T52	R108		1
284	E-R-0405-3216	2233447095P	RES,CBN 1/4 S	RD 1/4WS 47 ohm J T52	R109		1
285	E-R-0405-2367	2233422295P	RES,CBN 1/4 S	RD 1/4WS 2.2Kohm J T52	R110		1
286	E-R-0405-3429	2233475095P	RES,CBN 1/4 S	RD 1/4WS 75.00 J T52 MINI	R111		1
287	E-R-0405-2367	2233422295P	RES,CBN 1/4 S	RD 1/4WS 2.2Kohm J T52	R112		1
288	E-R-0405-1757	2233410195P	RES,CBN 1/4 S	RD 1/4WS 100 ohm J T52	R113		1
289	E-R-0405-1757	2233410195P	RES,CBN 1/4 S	RD 1/4WS 100 ohm J T52	R114		1
290	E-R-0405-1757	2233410195P	RES,CBN 1/4 S	RD 1/4WS 100 ohm J T52	R115		1
291	E-R-0405-3430	2233439195P	RES,CBN 1/4 S	RD 1/4WS 390 ohm J T52	R116		1
292	E-R-0405-3214	2233410395P	RES,CBN 1/4 S	RD 1/4WS 10Kohm J T52	R117		1
293	E-R-0405-1757	2233410195P	RES,CBN 1/4 S	RD 1/4WS 100 ohm J T52	R118		1
294	M-WR-0828-0450	2428106075P	JUMPER	0.6 *7.5mm	R119		1
295	M-WR-0828-0450	2428106075P	JUMPER	0.6 *7.5mm	R121		7



Item	ViewSonic P/N	Ref. P/N	Description	Location	Universal number#	Q'ty
296	E-R-0405-3211	2233447295P	RES,CBN 1/4 S	RD 1/4WS 4.7Kohm J T52	R122	7
297	E-R-0405-3211	2233447295P	RES,CBN 1/4 S	RD 1/4WS 4.7Kohm J T52	R123	1
298	E-R-0405-0645	2233420195P	RES,CBN 1/4 S	RD 1/4WS 200 ohm J T52	R124	1
299	E-R-0405-2367	2233422295P	RES,CBN 1/4 S	RD 1/4WS 2.2Kohm J T52	R125	1
300	E-R-0405-3213	2233410595P	RES,CBN 1/4 S	RD 1/4WS 1.0Mohm J T52	R126	1
301	E-R-0405-3214	2233410395P	RES,CBN 1/4 S	RD 1/4WS 10Kohm J T52	R127	1
302	E-R-0405-3214	2233410395P	RES,CBN 1/4 S	RD 1/4WS 10Kohm J T52	R128	1
303	E-R-0405-3214	2233410395P	RES,CBN 1/4 S	RD 1/4WS 10Kohm J T52	R132	1
304	E-R-0405-3214	2233410395P	RES,CBN 1/4 S	RD 1/4WS 10Kohm J T52	R133	1
305	E-R-0405-3215	2233447195P	RES,CBN 1/4 S	RD 1/4WS 470 ohm J T52	R134	1
306	E-R-0405-3214	2233410395P	RES,CBN 1/4 S	RD 1/4WS 10Kohm J T52	R135	1
307	E-R-0405-3214	2233410395P	RES,CBN 1/4 S	RD 1/4WS 10Kohm J T52	R136	1
308	E-R-0405-3215	2233447195P	RES,CBN 1/4 S	RD 1/4WS 470 ohm J T52	R137	1
309	E-R-0405-0078	2233456195P	RES,CBN 1/4 S	RD 1/4WS 560 ohm J T52	R138	1
310	E-R-0405-6428	2235410903P	RES,MTL J	RS 1W 1 ohm J P=15.0	R139	1
311	E-R-0405-3211	2233447295P	RES,CBN 1/4 S	RD 1/4WS 4.7Kohm J T52	R161	1
312	E-R-0405-3214	2233410395P	RES,CBN 1/4 S	RD 1/4WS 10Kohm J T52	R162	1
313	E-R-0405-3214	2233410395P	RES,CBN 1/4 S	RD 1/4WS 10Kohm J T52	R163	1
314	E-TH-0416-0042	2229201212P	THERMISTOR,PTH	SCK-103 THINKING	R802	1
315	N/A	2233491495P	RES,CBN 1/4 S	RD 1/4WS 910Kohm J T52	R803	1
316	E-00005137	2239233235P	RES,PRES 1/4 S	RN 1/4WS 332Kohm F T52	R804	1
317	N/A	2239261935P	RES,PRES 1/4 S	RN 1/4WS 619Kohm F T52	R805	1
318	E-00005137	2239233235P	RES,PRES 1/4 S	RN 1/4WS 332Kohm F T52	R806	1
319	N/A	2233439095P	RES,CBN 1/4 S	RD 1/4WS 39 ohm J T52	R807	1
320	N/A	2239211035P	RES,PRES 1/4 S	RN 1/4WS 110Kohm F T52	R808	1
321	E-R-0405-3216	2233447095P	RES,CBN 1/4 S	RD 1/4WS 47 ohm J T52	R809	1
322	E-00003249	2236560476P	RES MTL 2WS	RS 2WS 0.604 ohm P=7.0 G	R811	1
323	N/A	2233491495P	RES,CBN 1/4 S	RD 1/4WS 910Kohm J T52	R812	1
324	E-R-0405-2306	2233433295P	RES,CBN 1/4 S	RD 1/4WS 3.3Kohm J T52	R815	1
325	N/A	2235447913P	RES,MTL 1	RS 1WS 4.7ohm J P=12.5	R820	1
326	N/A	2233610095P	RES,CBN 1/2WS	RD 1/2WS 10 ohm J T52	R821	1
327	E-R-0405-3235	2233410295P	RES,CBN 1/4 S	RD 1/4WS 1Kohm J T52	R823	1
328	E-R-0405-2818	2239224325P	RES,PRES 1/4 S	RN 1/4WS 24.3Kohm F T52	R824	1
329	N/A	2239218215P	RES,PRES 1/4 S	RN 1/4WS 1.82Kohm F T	R825	1
330	E-R-0405-0063	2233456295P	RES,CBN 1/4 S	RD 1/4WS 5.6Kohm J T52	R826	1
331	N/A	2239215815P	RES,PRES 1/4 S	RN 1/4WS 1.58Kohm F T52	R828	1
332	E-R-0405-3034	2239210015P	RES,PRES 1/4 S	RN 1/4WS 1Kohm F T52	R830	1
333	N/A	2239291025P	RES,PRES 1/4 S	RN 1/4WS 91.0Kohm F T52	R831	1
334	E-R-0405-1171	2233482195P	RES,CBN 1/4 S	RD 1/4WS 820 ohm J T52	R832	1
335	E-R-0405-3221	2233410495P	RES,CBN 1/4 S	RD 1/4WS 100Kohm J T52	R833	1
336	E-R-0405-3221	2233410495P	RES,CBN 1/4 S	RD 1/4WS 100Kohm J T52	R834	1
337	E-R-0405-3221	2233410495P	RES,CBN 1/4 S	RD 1/4WS 100Kohm J T52	R835	1
338	E-R-0405-3221	2233410495P	RES,CBN 1/4 S	RD 1/4WS 100Kohm J T52	R836	1
339	E-R-0405-2367	2233422295P	RES,CBN 1/4 S	RD 1/4WS 2.2Kohm J T52	R837	1
340	N/A	2239261935P	RES,PRES 1/4 S	RN 1/4WS 619Kohm F T52	R839	1
341	E-R-0405-3235	2233410295P	RES,CBN 1/4 S	RD 1/4WS 1Kohm J T52	R840	1
342	E-R-0405-4713	2233418295P	RES,CBN 1/4 S	RD 1/4WS 1.8Kohm J T52	R841	1
343	E-R-0405-2306	2233433295P	RES,CBN 1/4 S	RD 1/4WS 3.3Kohm J T52	R842	1
344	E-00005137	2239233235P	RES,PRES 1/4 S	RN 1/4WS 332Kohm F T52	R843	1
345	N/A	2239261935P	RES,PRES 1/4 S	RN 1/4WS 619Kohm F T52	R844	1
346	E-R-0405-3235	2233410295P	RES,CBN 1/4 S	RD 1/4WS 1Kohm J T52	R845	1
347	E-R-0405-1171	2233482195P	RES,CBN 1/4 S	RD 1/4WS 820 ohm J T52	R846	1
348	E-R-0405-3235	2233410295P	RES,CBN 1/4 S	RD 1/4WS 1Kohm J T52	R847	1
349	E-R-0405-5980	2239210025P	RES,PRES 1/4 S	RN 1/4WS 10Kohm F T	R851	1
350	E-R-0405-3216	2233447095P	RES,CBN 1/4 S	RD 1/4WS 47 ohm J T52	R853	1
351	E-R-0405-1171	2233482195P	RES,CBN 1/4 S	RD 1/4WS 820 ohm J T52	R854	1
352	E-R-0405-2367	2233422295P	RES,CBN 1/4 S	RD 1/4WS 2.2Kohm J T52	R855	1
353	N/A	2242315595P	HIGH VOLTAGE RESISTOR	RD 1/2W 1.5Mohm J T52	R905	1
354	N/A	2232410095P	RES,CBN 1/4	RD 1/4W 10 ohm J T	R906	1
355	N/A	2232410095P	RES,CBN 1/4	RD 1/4W 10 ohm J T	R907	1
356	E-R-0405-3214	2233410395P	RES,CBN 1/4 S	RD 1/4WS 10Kohm J T52	R908	1
357	E-R-0405-0727	2239222015P	RES,PRES 1/4 S	RN 1/4WS 2.2Kohm F T52	R909	1
358	N/A	2232410095P	RES,CBN 1/4	RD 1/4W 10 ohm J T	R911	1
359	N/A	2232410095P	RES,CBN 1/4	RD 1/4W 10 ohm J T	R912	1
360	E-R-0405-3526	2233427195P	RES,CBN 1/4 S	RD 1/4WS 270 ohm J T52	R913	1
361	N/A	2239245305P	RES,PRES 1/4 S	RN 1/4WS 453 ohm F T	R914	1
362	M-WR-0828-0450	2428106075P	JUMPER	0.6 *7.5mm	R915	1
363	M-WR-0828-0478	2428106100P	JUMPER	0.6 *10.0mm	R916	7
364	E-R-0405-3526	2233427195P	RES,CBN 1/4 S	RD 1/4WS 270 ohm J T52	R917	10
365	E-R-0405-3213	2233410595P	RES,CBN 1/4 S	RD 1/4WS 1.0Mohm J T52	R918	1
366	N/A	2239278705P	RES,PRES 1/4 S	RN 1/4WS 787 ohm F T	R919	1
367	N/A	2239278705P	RES,PRES 1/4 S	RN 1/4WS 787 ohm F T	R920	1
368	E-R-0405-6218	2233451295P	RES,CBN 1/4 S	RD 1/4WS 5.1Kohm J T52	R921	1
369	N/A	2233451595P	RES,CBN 1/4 S	RD 1/4WS 5.1Mohm J T	R922	1
370	N/A	2239211035P	RES,PRES 1/4 S	RN 1/4WS 110Kohm F T52	R923	1
371	E-R-0405-3213	2233410595P	RES,CBN 1/4 S	RD 1/4WS 1.0Mohm J T52	R924	1
372	N/A	2242315595P	HIGH VOLTAGE RESISTOR	RD 1/2W 1.5Mohm J T52	R925	1
373	N/A	2239291025P	RES,PRES 1/4 S	RN 1/4WS 91.0Kohm F T52	R926	1
374	E-R-0405-0727	2239222015P	RES,PRES 1/4 S	RN 1/4WS 2.2Kohm F T52	R927	1
375	N/A	2239251125P	RES,PRES 1/4 S	RN 1/4WS 51.1Kohm F T52	R929	1
376	E-R-0405-6218	2233451295P	RES,CBN 1/4 S	RD 1/4WS 5.1Kohm J T52	R930	1
377	N/A	2239245305P	RES,PRES 1/4 S	RN 1/4WS 453 ohm F T	R932	1
378	M-WR-0828-0450	2428106075P	JUMPER	0.6 *7.5mm	R933	1
379	E-R-0405-3213	2233410595P	RES,CBN 1/4 S	RD 1/4WS 1.0Mohm J T52	R934	7
380	M-WR-0828-0478	2428106100P	JUMPER	0.6 *10.0mm	R935	1
381	N/A	2239278705P	RES,PRES 1/4 S	RN 1/4WS 787 ohm F T	R936	10
382	N/A	2239278705P	RES,PRES 1/4 S	RN 1/4WS 787 ohm F T	R937	1
383	N/A	2259210308P	RES,CHIP NETWORKS	8P4R 1/16W 10Kohm J P=0.8	RP01	1
384	N/A	2259210308P	RES,CHIP NETWORKS	8P4R 1/16W 10Kohm J P=0.8	RP02	1
385	N/A	2259210308P	RES,CHIP NETWORKS	8P4R 1/16W 10Kohm J P=0.8	RP03	1
386	E-R-0405-6608	2259210108P	RES,CHIP NETWORKS	8P4R 1/16W 100 ohm J P=0.8	RP04	1
387	E-R-0405-6608	2259210108P	RES,CHIP NETWORKS	8P4R 1/16W 100 ohm J P=0.8	RP05	1
388	N/A	2259227208P	RES,CHIP NETWORKS	8P4R 1/16W 2.7Kohm J P=0.8	RP06	1
389	E-R-0405-6007	2259247208P	RES,CHIP NETWORKS	8P4R 1/16W 4.7Kohm J P=0.8	RP07	1
390	M-SW-0815-0182	2403702200P	TACT SWITCH	TSAA-2 HUAJIE	S701	1
391	M-SW-0815-0182	2403702200P	TACT SWITCH	TSAA-2 HUAJIE	S702	1
392	M-SW-0815-0182	2403702200P	TACT SWITCH	TSAA-2 HUAJIE	S703	1
393	M-SW-0815-0182	2403702200P	TACT SWITCH	TSAA-2 HUAJIE	S704	1
394	M-SW-0815-0182	2403702200P	TACT SWITCH	TSAA-2 HUAJIE	S705	1
395	N/A	2407413100P	SOCKET	0711-02-P10-9 INALWAYS	S801	1
396	N/A	2407200991P	HOLDER,FUSE	CQ-05T CONQUER	S802	1

Item	ViewSonic P/N	Ref. P/N	Description	Location	Universal number#	Q'ty
397	N/A	2407200991P	HOLDER,FUSE	CQ-05T CONQUER	S803	1
398	N/A	2374228012P	XFORMER,POWR	PT-003701-1 LAI-TAI	T801	1
399	N/A	2374301000P	XFORMER INVERTER	EEL-19 22/2000Ts 0.1*20/0.06mm	T901	1
400	N/A	2374301000P	XFORMER INVERTER	EEL-19 22/2000Ts 0.1*20/0.06mm	T902	1
401	E-00003308	2202130701P	PC BOARD	JT178QP4D M/B FR1 228*145 2.01	U101	1
402	N/A	2202131400P	PC BOARD	VE910 K/B FR1 120*23.5 V1.00	U701	1
403	E-00004574	2212007900P	LCD PANEL	HSD190ME13-A02 (A) 8ms HSD	V901	1
404	N/A	2212010700P	LCD PANEL	HSD190ME13-A16 (A) 8ms HSD	V901	1
405	E-X-0415-0119	2369103601P	XTAL,OSC	12.0000MHZ/49US 0.1mW/30pF	X101	1
406	N/A	2363516895P	DIODE,ZENER	HZ6B-2 5.6-5.9V DO-35 HITACHI	Z101	1
407	N/A	2363516895P	DIODE,ZENER	HZ6B-2 5.6-5.9V DO-35 HITACHI	Z102	1
408	N/A	2363516895P	DIODE,ZENER	HZ6B-2 5.6-5.9V DO-35 HITACHI	Z103	1
409	N/A	2363516895P	DIODE,ZENER	HZ6B-2 5.6-5.9V DO-35 HITACHI	Z104	1
410	N/A	2363516895P	DIODE,ZENER	HZ6B-2 5.6-5.9V DO-35 HITACHI	Z105	1
411	N/A	2363516895P	DIODE,ZENER	HZ6B-2 5.6-5.9V DO-35 HITACHI	Z105	1

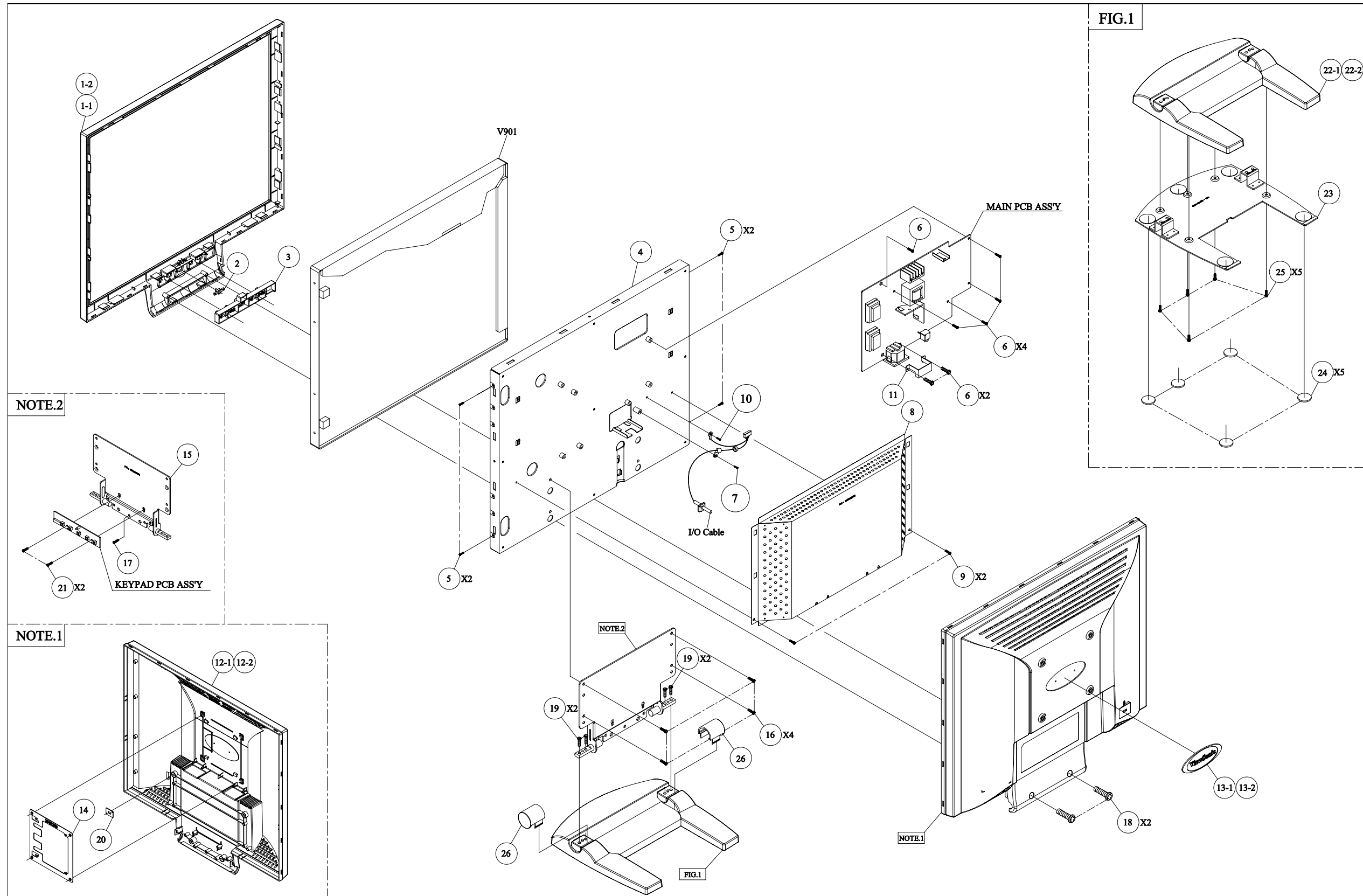
**P model**

Item	ViewSonic P/N	Ref. P/N	Description	Location	Universal number#	Q'ty
1	A-00003623	2427130123P	AC POWER CORD	TAIWAN WALL 1.83M BLACK	P951	1

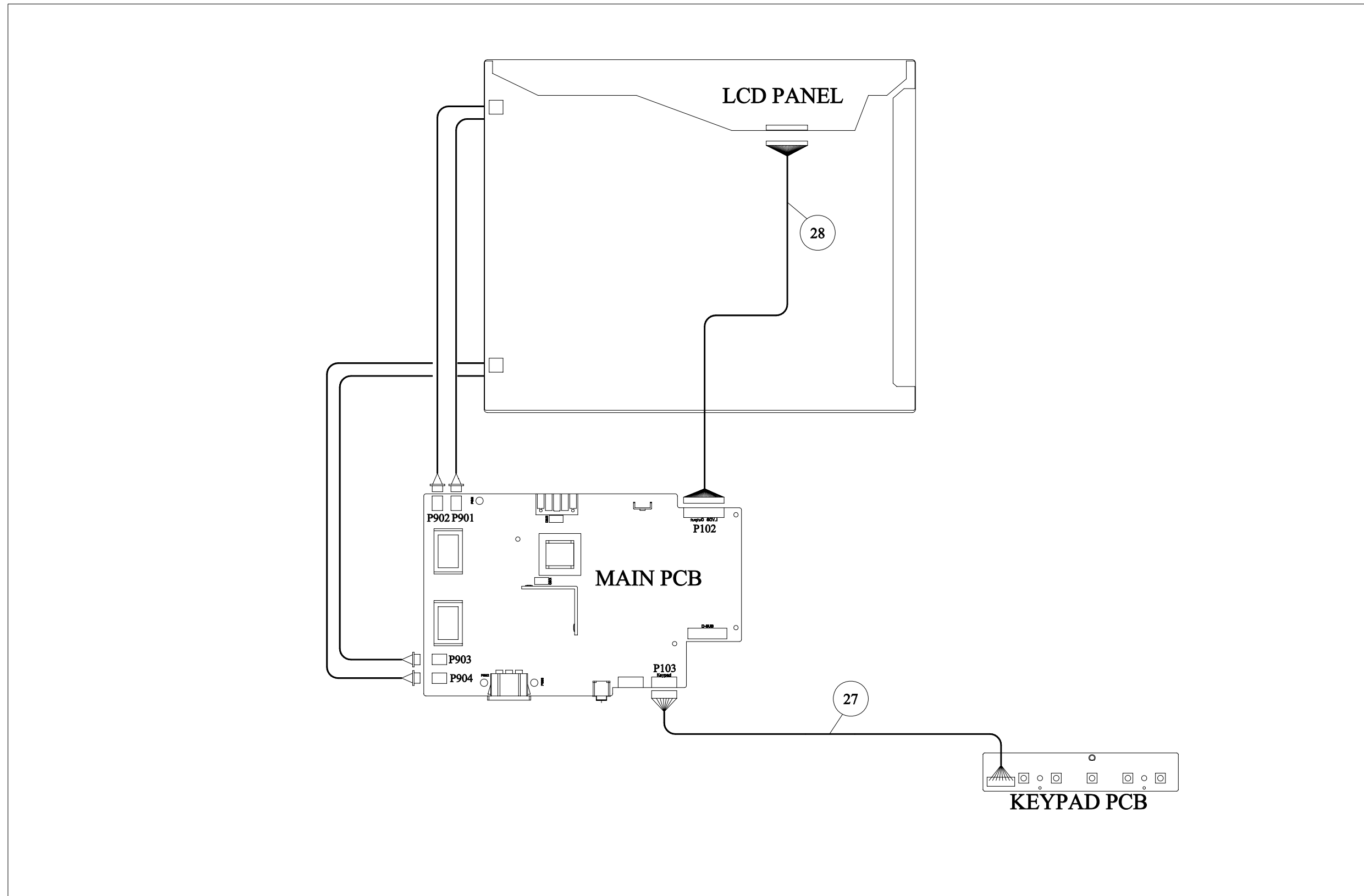
**G Model**

Item	ViewSonic P/N	Ref. P/N	Description	Location	Universal number#	Q'ty
1	A-PC-0106-0277	2427130097P	AC POWER CORD	CHINA WALL 1.83M BLACK	P951	1
2	DC-00003461	2002310402P	GUARANT CARD	VIEWSONIC WARRANTY CARD-C 2004	6P07	1
3	M-LB-0813-0862	2056606025P	SERIAL LABEL	VS CN WARRANTY CARD SN STICKER	6P08	2
4	M-LB-0813-0863	2056606010P	SERIAL LABEL	VIEWSONIC BOX STICKER-G	6P12	1
5	M-LB-0813-0864	2056606009P	SERIAL LABEL	VIEWSONIC SERVICE STICKER-G	6P15	1

# 8. Exploded Diagram and Exploded Parts List







## 8. Exploded Diagram and Exploded Parts List

### EXPLODED PARTS LIST (VA902-3)

ViewSonic Model Number: VS10715

Rev: 1a

Serial No. Prefix: QAK

Item	ViewSonic P/N	Ref. P/N	Description		Q'ty
1-1	N/A	2024268704P	FRONT BEZEL	ABS 94HB MIDNIGHT GRAY VA902B	1
1-2	N/A	2024268703P	FRONT BEZEL	ABS 94HB PS-7604B VA902	1
2	PL-00003024	2053754700P	LED INDIC.-PWR	VE910 PMMA 94HB COLOR CLEAR	1
3	PL-00003025	2044267101P	FUNCTION KEY	ABS 94HB ELECTROPLATE AL	1
4	HW-00003026	2071974300P	METAL FITTG	VE910 SECC T=0.8 FOR PANEL	1
5	M-SCW-0824-6715	2080002200P	SCREW,SPE	L355 M3x6 DH NICKEL-PLATED	4
6	M-SCW-0824-0811	2080003700P	SCREW,SPE	ISZZTER001A M3*6L MSWR17/FZMYI	7
7	M-SCW-0824-0811	2080003700P	SCREW,SPE	ISZZTER001A M3*6L MSWR17/FZMYI	1
8	HW-00003027	2071673800P	SHIELD PLATE	VE910 SPTE T=0.3	1
9	M-SCW-0824-6719	2082630062P	SCREW	M3X6 P=0.5	2
10	M-SCW-0824-0811	2080003700P	SCREW,SPE	ISZZTER001A M3*6L MSWR17/FZMYI	1
11	HW-00003028	2071874300P	BRACKET,FIX	SECC T=0.8 VE910 ACINLET	1
12-1	C-00003030	2022263502P	CABI BACK	VE910-B ABS 94HB MIDNIGHT GRAY	1
12-2	N/A	2022263501P	CABI BACK	VE910 ABS 94HB BLACK 4001	1
13-1	M-MS-0808-9396	2051352202P	NAME PLATE	NAME PLATE VIEWSONIC E015-027	1
13-2	PL-00005399	2051352203P	NAME PLATE	V LOGO/ABS 94HB BLACK C	1
14	HW-00003031	2071872900P	BRACKET,FIX	JT198QP SECC 0.8T WALL MOUNT	1
15	HW-00003032	2106657000P	HINGE	VE910 -5'~+20'~90'	1
16	M-SCW-0824-0851	2082340072P	SCREW,CSK+	SCREW CSK+ M4*7	4
17	M-SCW-0824-0123	2084740102P	SCREW,BND T+	M4X10(BND T+)	1
18	M-SCW-0824-6944	2084740124P	SCREW,BND T+	M4X12(BND T+) (BLK)	2
19	M-SCW-0824-6746	2087340126P	SCREW,B SPW+	4X12(+)SWRM-3 ZMC2-C	4
20	M-BK-0805-0070	2071869400P	BRACKET,FIX	METAL PLATE 1.0MM KENSINGTON	1
21	M-SCW-0824-0285	2084730082P	SCREW,BND T+	M3X8(BND T+)	2
22-1	PL-00004517	2028259302P	STAND	VE910-B ABS 94HB MIDNIGHT GRAY	1
22-2	PL-00003006	2028259301P	STAND	VE910 ABS 94HB BLACK 4001	1
23	HW-00003033	2071974400P	METAL FITTG	VE910 SECC T=1.5 FOR STAND	1
24	PL-PD-0714-0113	2039819301P	FOOT PAD	RUBBER O20*2TMM SQUARE GRAIN	5
25	M-SCW-0824-0285	2084730082P	SCREW,BND T+	M3X8(BND T+)	5
26	PL-00003034	2027260401P	DUST COVER	ABS 94HB ELECTROPLATE AL	2
27	CB-00005736	2427408202P	WIRE HARNESS	8/8P H/B 1061#26 L=200mm P=2.0	1
28	N/A	2420306301P	FFC CABLE	FFC 30P*0.5mm*L80mm	1

## EXPLODED PARTS LIST (VA902b-3)

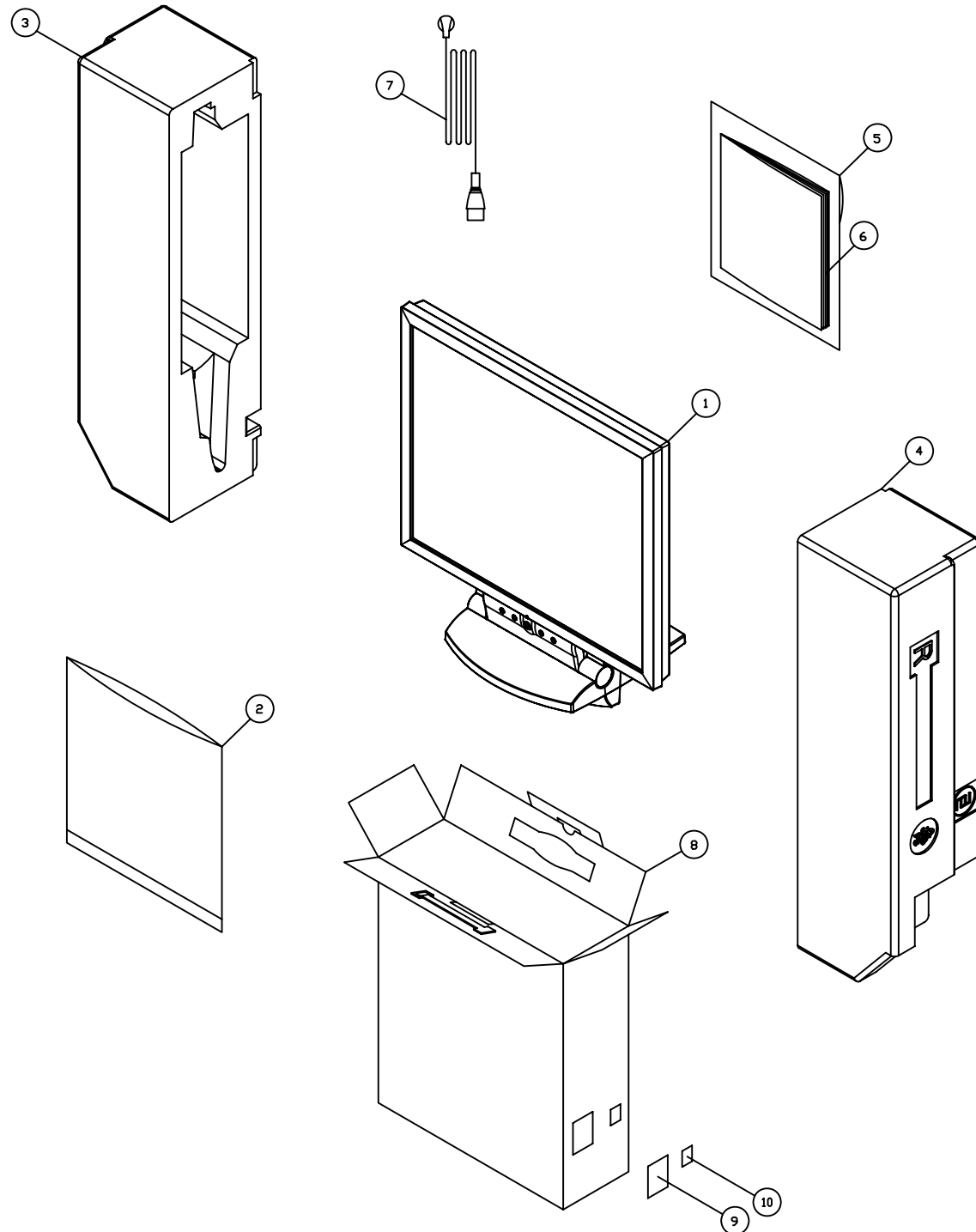
ViewSonic Model Number: VS10715

Rev: 1a

Serial No. Prefix: **QAL**

Item	ViewSonic P/N	Ref. P/N	Description		Q'ty
1-1	N/A	2024268704P	FRONT BEZEL	ABS 94HB MIDNIGHT GRAY VA902B	1
1-2	N/A	2024268703P	FRONT BEZEL	ABS 94HB PS-7604B VA902	1
2	PL-00003024	2053754700P	LED INDIC.-PWR	VE910 PMMA 94HB COLOR CLEAR	1
3	PL-00003025	2044267101P	FUNCTION KEY	ABS 94HB ELECTROPLATE AL	1
4	HW-00003026	2071974300P	METAL FITTG	VE910 SECC T=0.8 FOR PANEL	1
5	M-SCW-0824-6715	2080002200P	SCREW,SPE	L355 M3x6 DH NICKEL-PLATED	4
6	M-SCW-0824-0811	2080003700P	SCREW,SPE	ISZZTER001A M3*6L MSWR17/FZMYI	7
7	M-SCW-0824-0811	2080003700P	SCREW,SPE	ISZZTER001A M3*6L MSWR17/FZMYI	1
8	HW-00003027	2071673800P	SHIELD PLATE	VE910 SPTE T=0.3	1
9	M-SCW-0824-6719	2082630062P	SCREW	M3X6 P=0.5	2
10	M-SCW-0824-0811	2080003700P	SCREW,SPE	ISZZTER001A M3*6L MSWR17/FZMYI	1
11	HW-00003028	2071874300P	BRACKET,FIX	SECC T=0.8 VE910 ACINLET	1
12-1	N/A	2022263502P	CABI BACK	VE910-B ABS 94HB MIDNIGHT GRAY	1
12-2	N/A	2022263501P	CABI BACK	VE910 ABS 94HB BLACK 4001	1
13-1	M-MS-0808-9396	2051352202P	NAME PLATE	NAME PLATE VIEWSONIC E015-027	1
13-2	PL-00005399	2051352203P	NAME PLATE	V LOGO/ABS 94HB BLACK C	1
14	HW-00003031	2071872900P	BRACKET,FIX	JT198QP SECC 0.8T WALL MOUNT	1
15	HW-00003032	2106657000P	HINGE	VE910 -5'~+20'~90'	1
16	M-SCW-0824-0851	2082340072P	SCREW,CSK+	SCREW CSK+ M4*7	4
17	M-SCW-0824-0123	2084740102P	SCREW,BND T+	M4X10(BND T+)	1
18	M-SCW-0824-6944	2084740124P	SCREW,BND T+	M4X12(BND T+) (BLK)	2
19	M-SCW-0824-6746	2087340126P	SCREW,B SPW+	4X12(+ )SWRM-3 ZMC2-C	4
20	M-BK-0805-0070	2071869400P	BRACKET,FIX	METAL PLATE 1.0MM KENSINGTON	1
21	M-SCW-0824-0285	2084730082P	SCREW,BND T+	M3X8(BND T+)	2
22-1	PL-00004517	2028259302P	STAND	VE910-B ABS 94HB MIDNIGHT GRAY	1
22-2	PL-00003006	2028259301P	STAND	VE910 ABS 94HB BLACK 4001	1
23	HW-00003033	2071974400P	METAL FITTG	VE910 SECC T=1.5 FOR STAND	1
24	PL-PD-0714-0113	2039819301P	FOOT PAD	RUBBER O20*2TMM SQUARE GRAIN	5
25	M-SCW-0824-0285	2084730082P	SCREW,BND T+	M3X8(BND T+)	5
26	PL-00003034	2027260401P	DUST COVER	ABS 94HB ELECTROPLATE AL	2
27	CB-00005736	2427408202P	WIRE HARNESS	8/8P H/B 1061#26 L=200mm P=2.0	1
28	N/A	2420306301P	FFC CABLE	FFC 30P*0.5mm*L80mm	1

**Packing for Shipping**



**PACKING PART LIST ( VA902-3 )**

ViewSonic Model Number: VS10715

Rev: 1a

Item	ViewSonic P/N	Ref. P/N	Location	Q'ty
1	N/A		VA902(3) monitor	1
2	M-MS-0808-1317	2013053000P	POLYETHY BAG	1
3	P-00003014	2012179800P	POLYFOAM (L)	1
4	P-00003015	2012179900P	POLYFOAM (R)	1
5	DC-00005835	2438570017P	CD-OWNER GUIDE	1
6	DC-00005834	2002370022P	GUARANT CARD(QSG)	1
7	A-PC-0106-0138	2427130047P	AC POWER CORD(E)	1
7	A-PC-0106-0277	2427130097P	AC POWER CORD(G)	1
7	A-00003623	2427130123P	AC POWER CORD(P)	1
8	N/A	2011033003P	CARTON BOX	1
9	N/A	2055670053P	LABEL(E)	1
9	N/A	2055670050P	LABEL(G)	1
9	N/A	2055670049P	LABEL(P)	1
10	N/A	2055613477P	LABEL	1

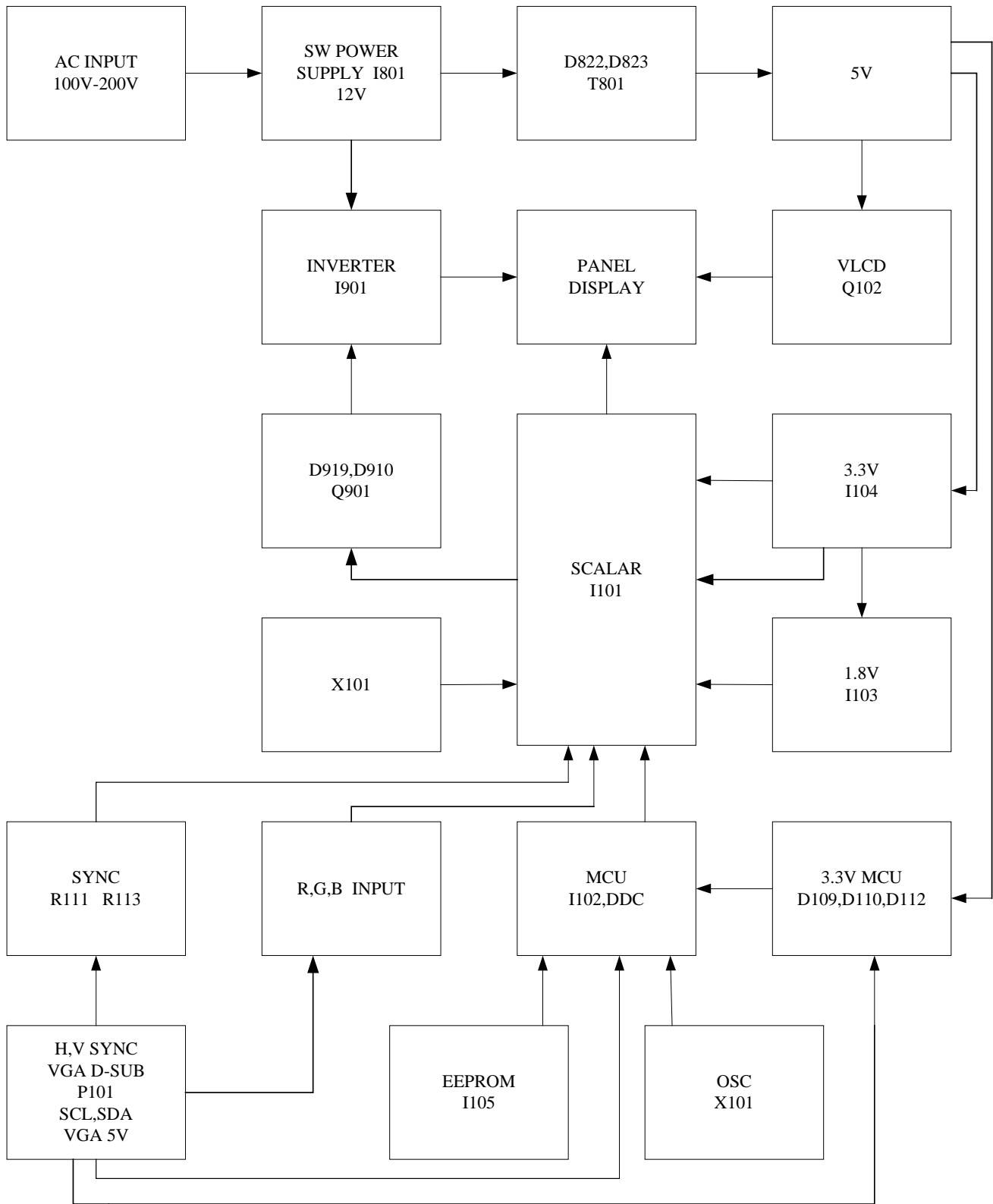
**PACKING PART LIST ( VA902b-3 )**

ViewSonic Model Number: VS10715

Rev: 1a

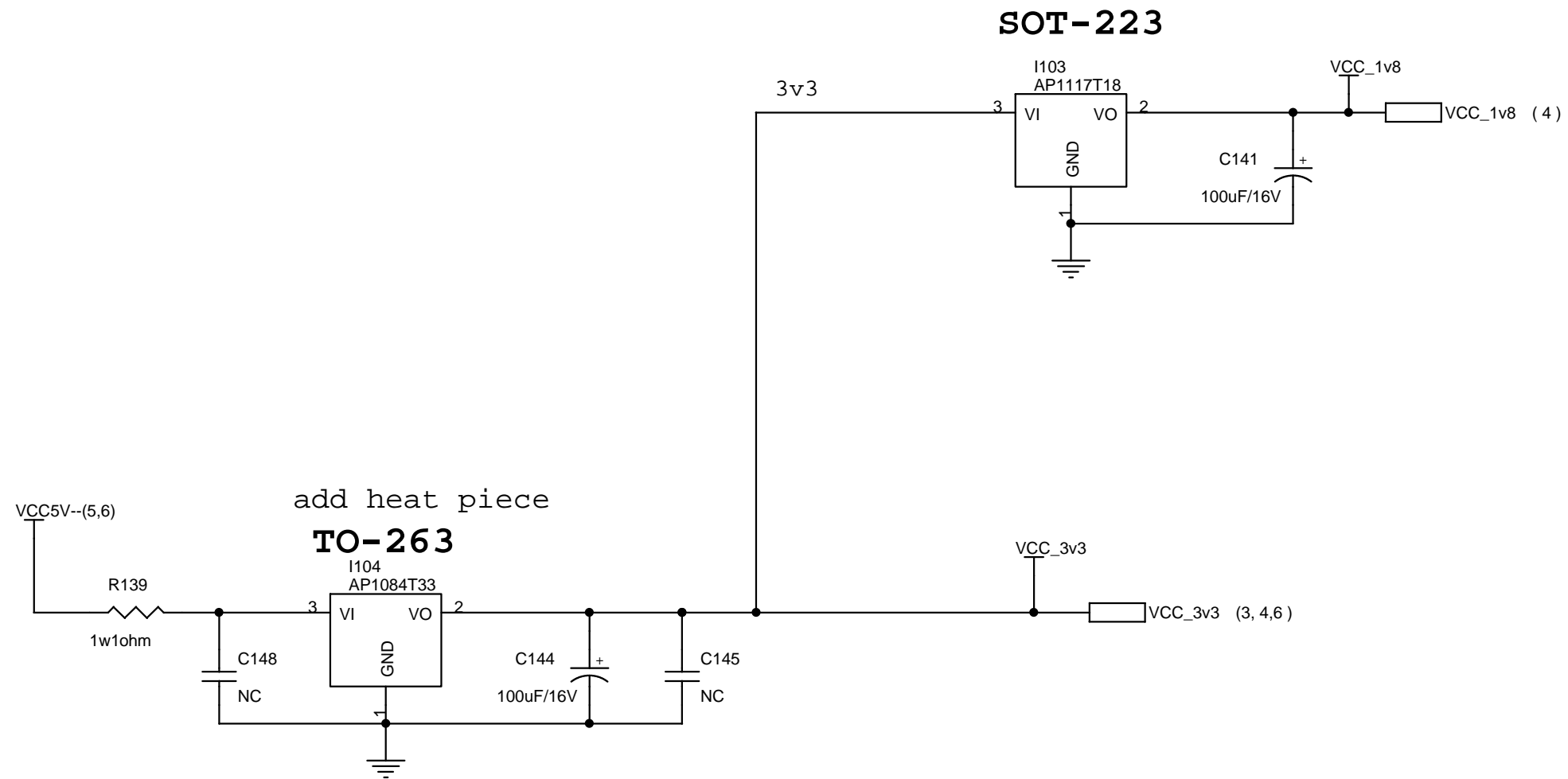
Item	ViewSonic P/N	Ref. P/N	Description	Q'ty
1	N/A		VA902b(3) monitor	1
2	M-MS-0808-1317	2013053000P	POLYETHY BAG	1
3	P-00003014	2012179800P	POLYFOAM (L)	1
4	P-00003015	2012179900P	POLYFOAM (R)	1
5	DC-00005835	2438570017P	CD-OWNER GUIDE	1
6	DC-00005834	2002370022P	GUARANT CARD(QSG)	1
7	A-00005362	2427130046P	AC POWER CORD(M)	1
7	A-00003623	2427130123P	AC POWER CORD(P)	1
7	A-PC-0106-0277	2427130097P	AC POWER CORD(G)	1
8	N/A	2011033004P	CARTON BOX	1
9	N/A	2055670044P	LABEL(M)	1
9	N/A	2055670045P	LABEL(P)	1
9	N/A	2055670046P	LABEL(G)	1
10	N/A	2055613477P	LABEL	1

## 9. Block Diagram

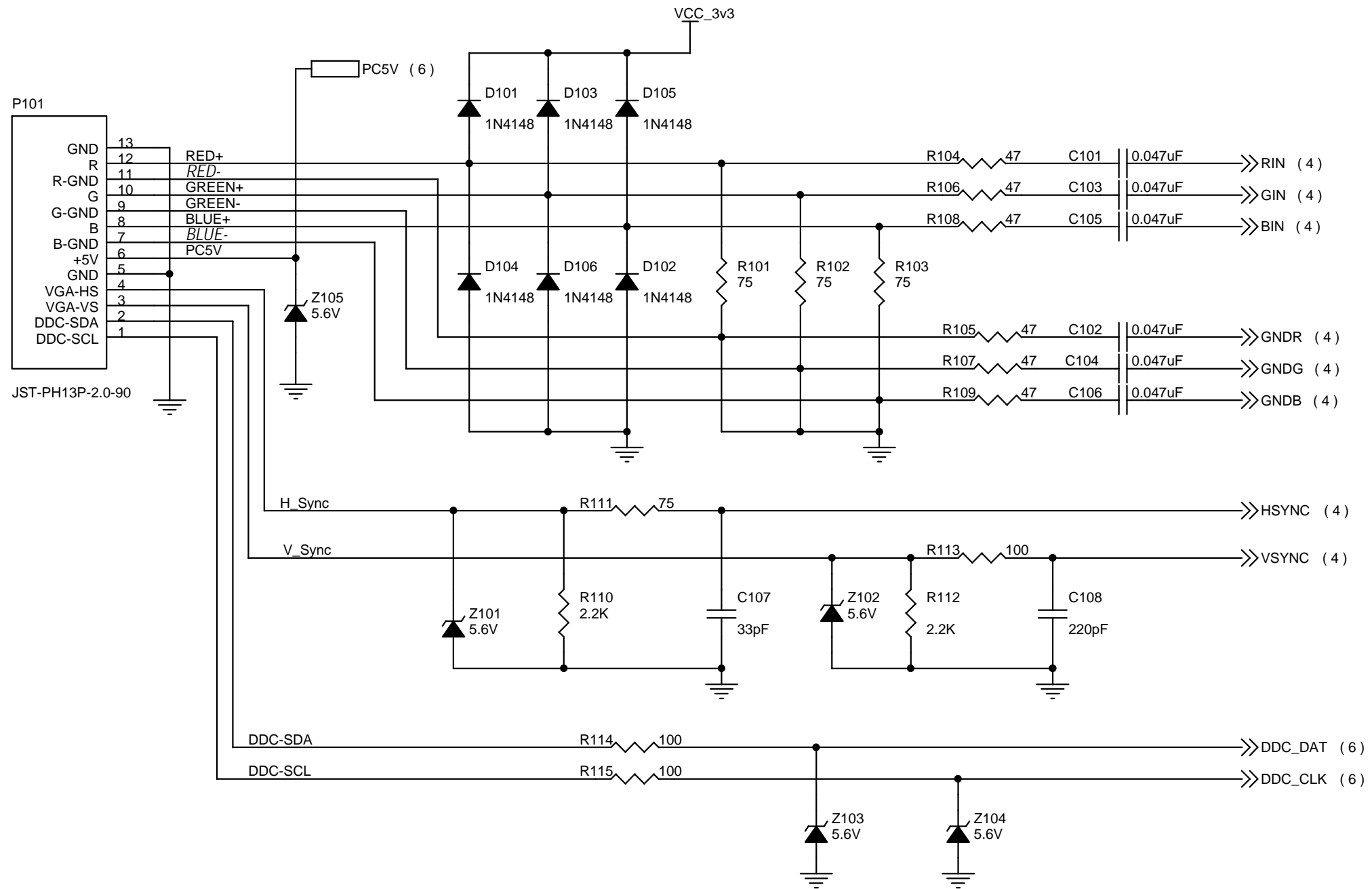


# 10. Schematic Diagrams

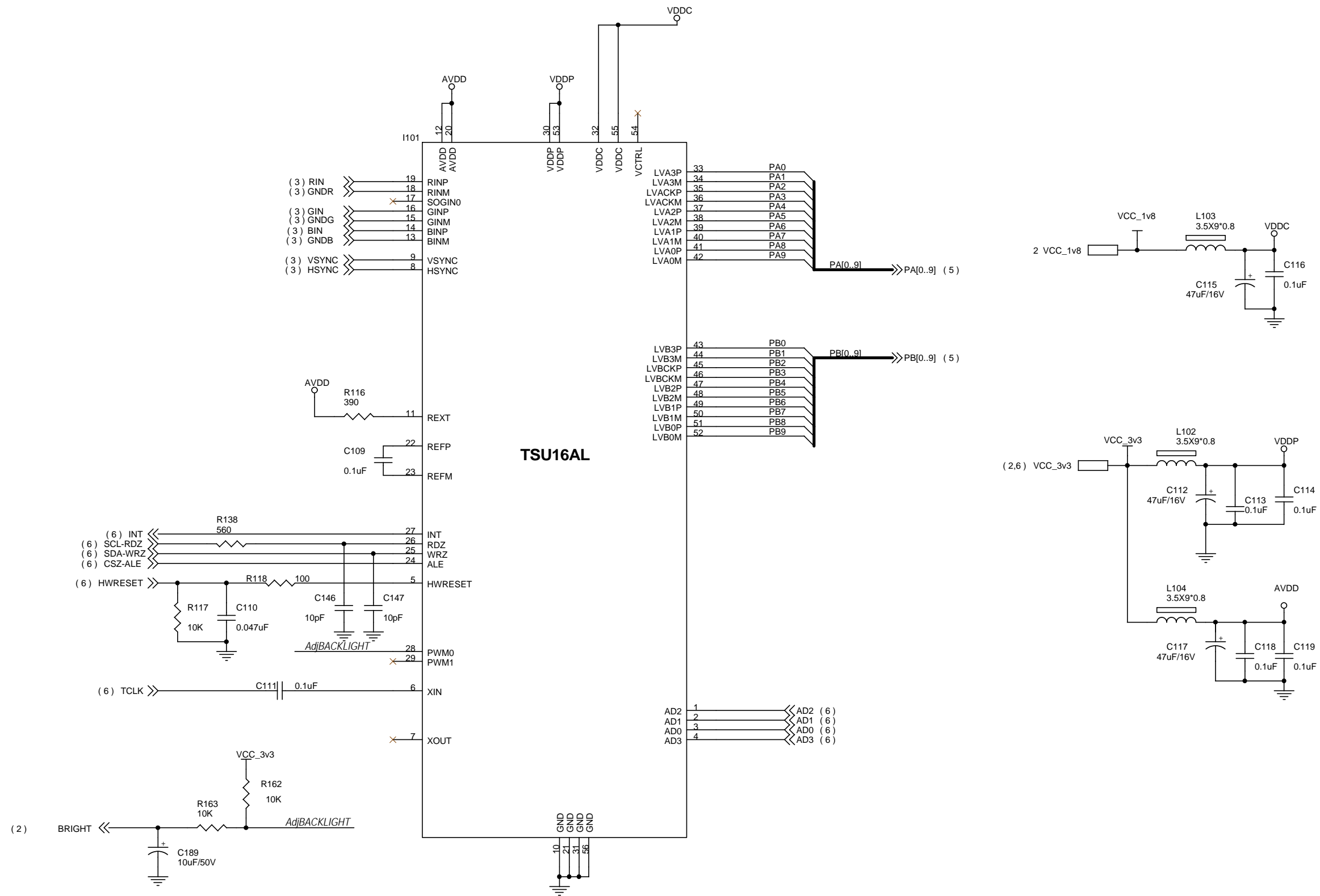
## 10.1. DC - DC



## 10.2. VGA INPUT

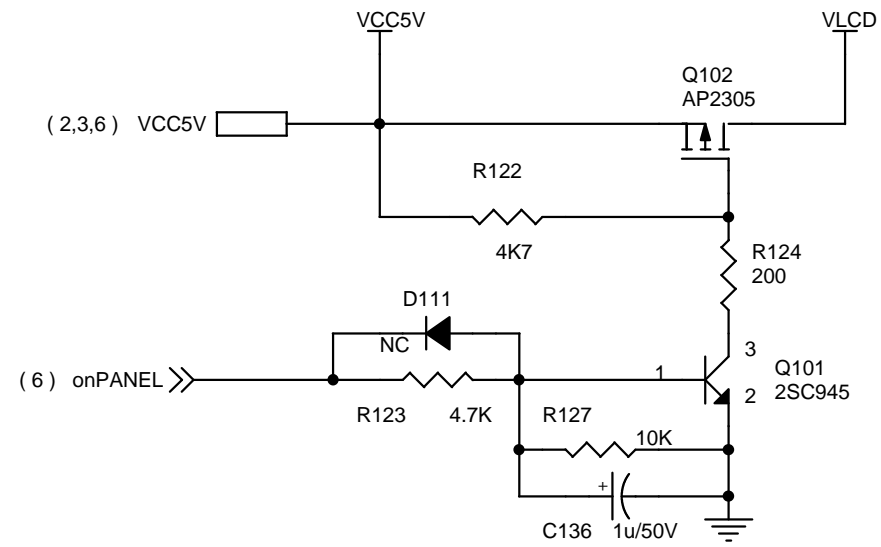
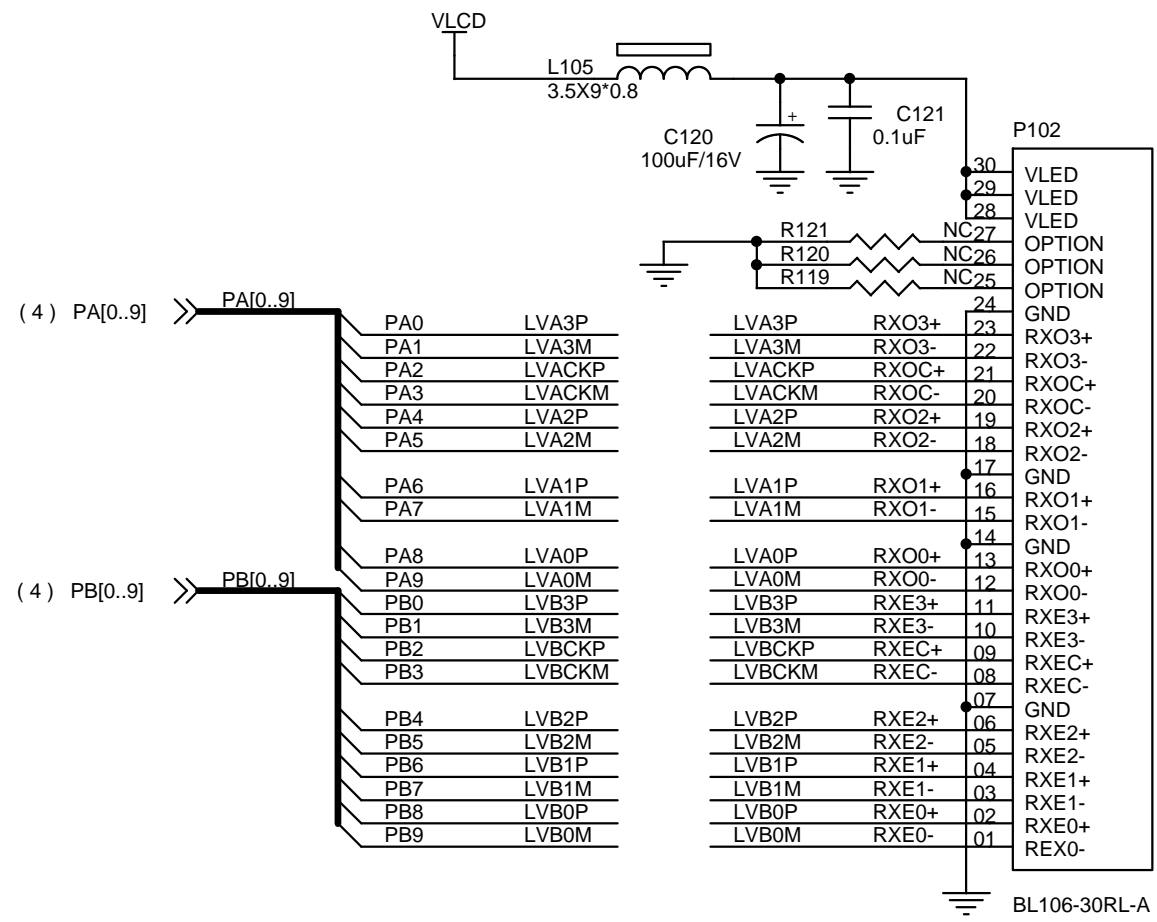


### 10.3. SCALER

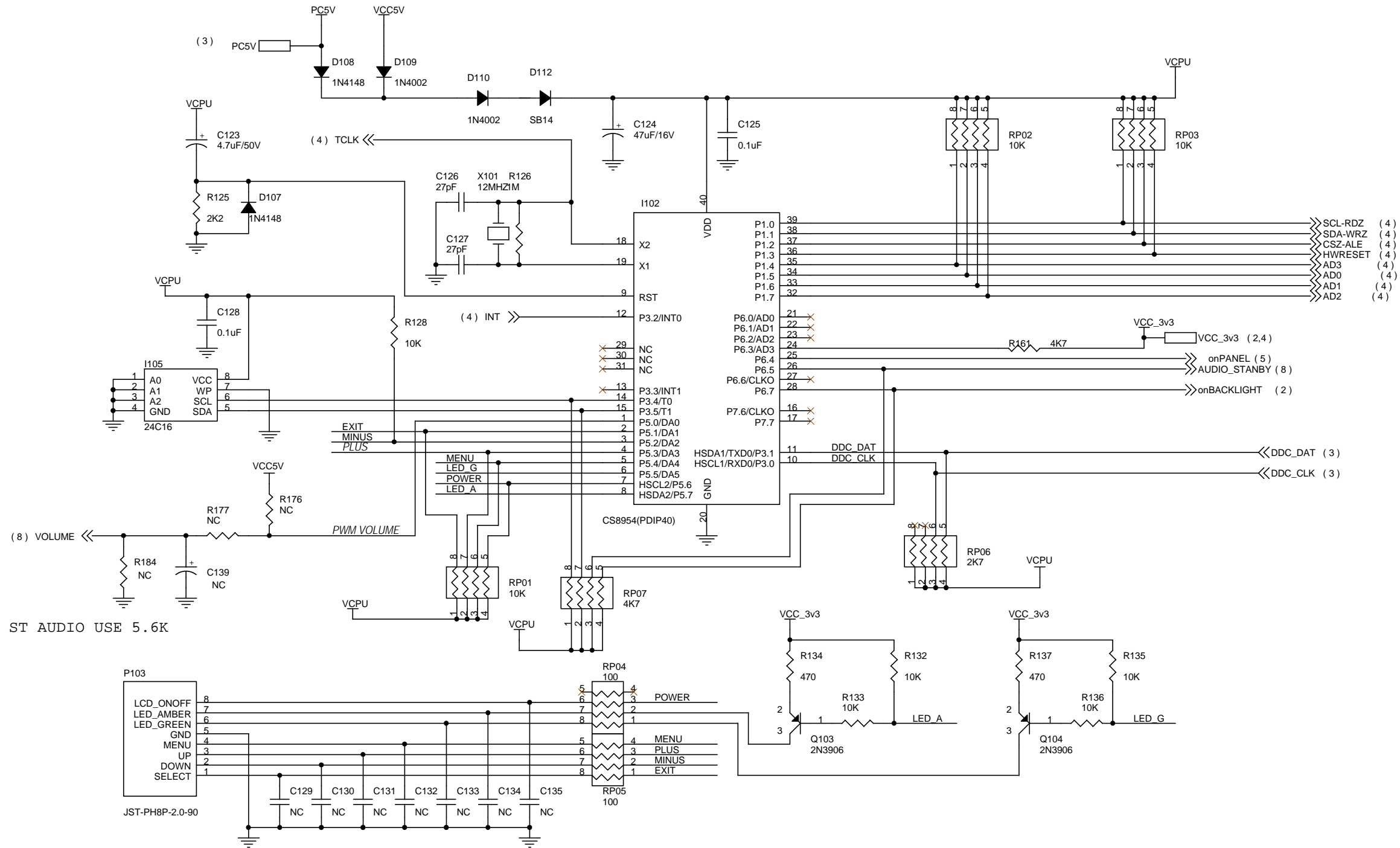




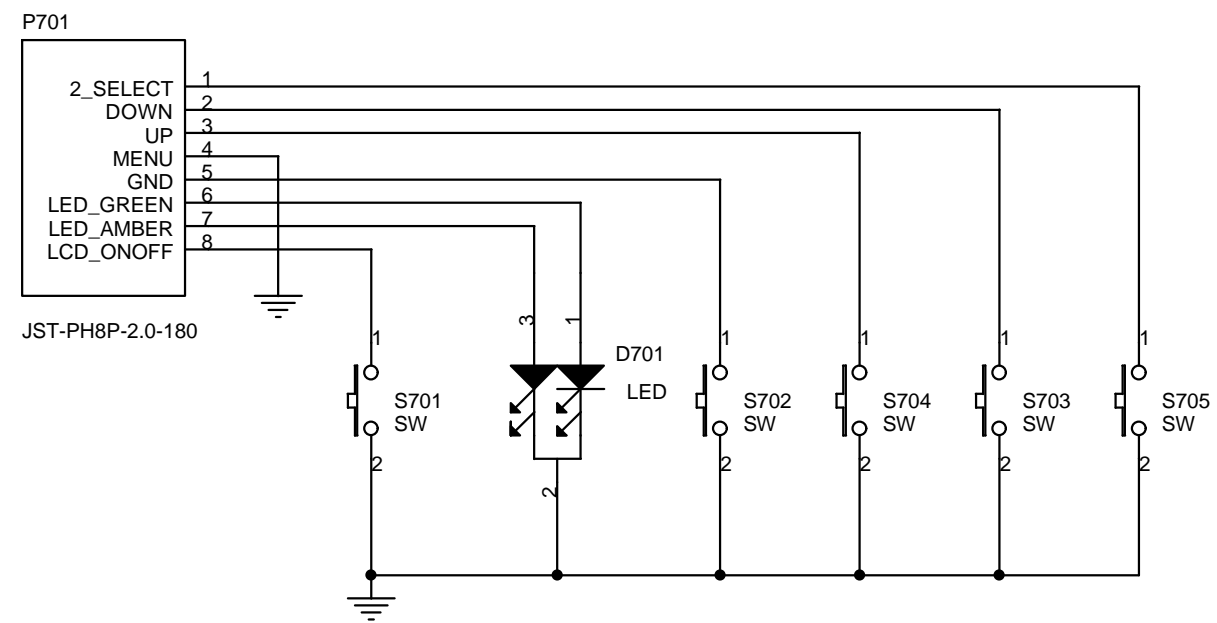
### 10.4. PANEL INTERFACE



# 10.5. MCU

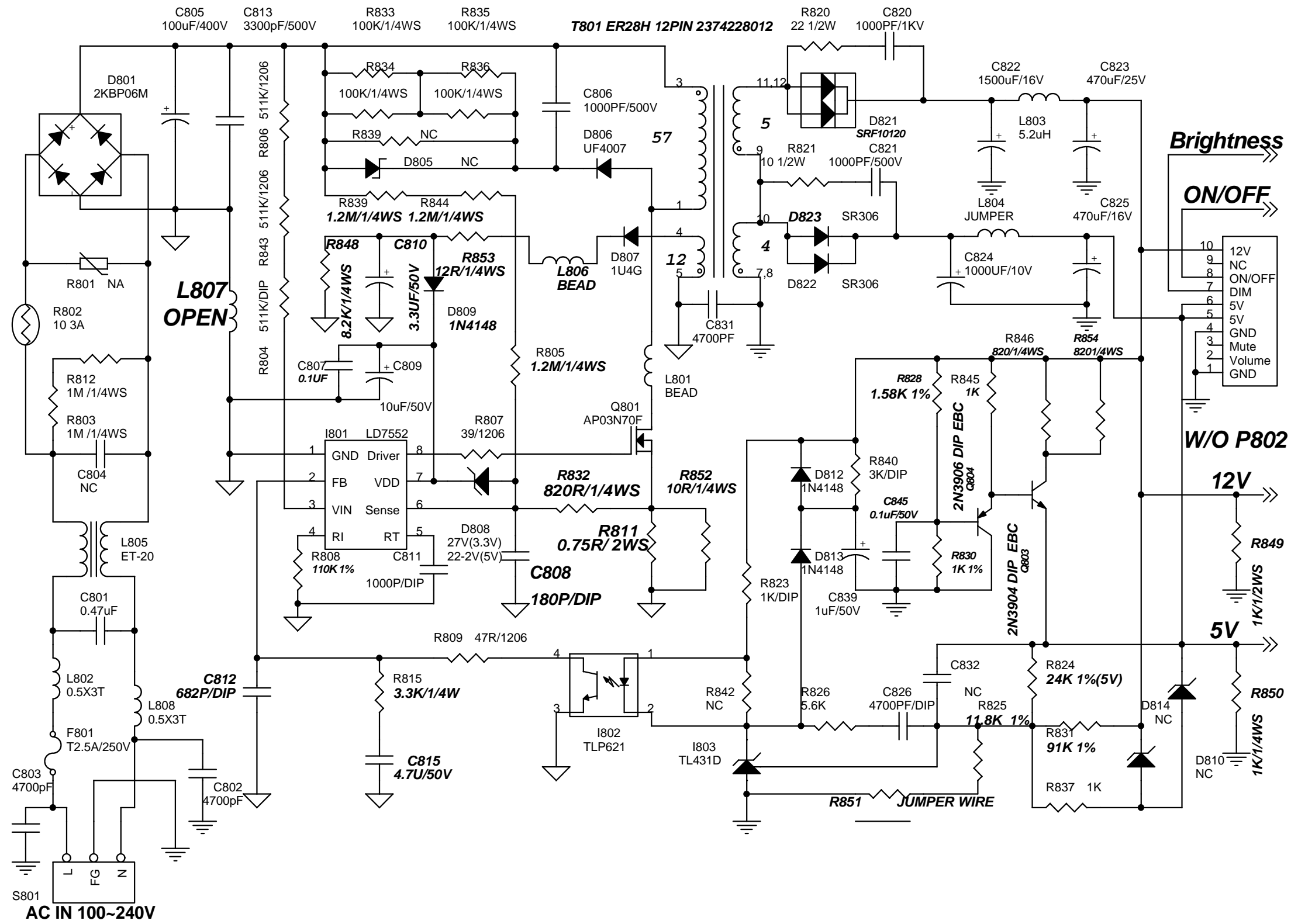


## 10.6. KEY PAD

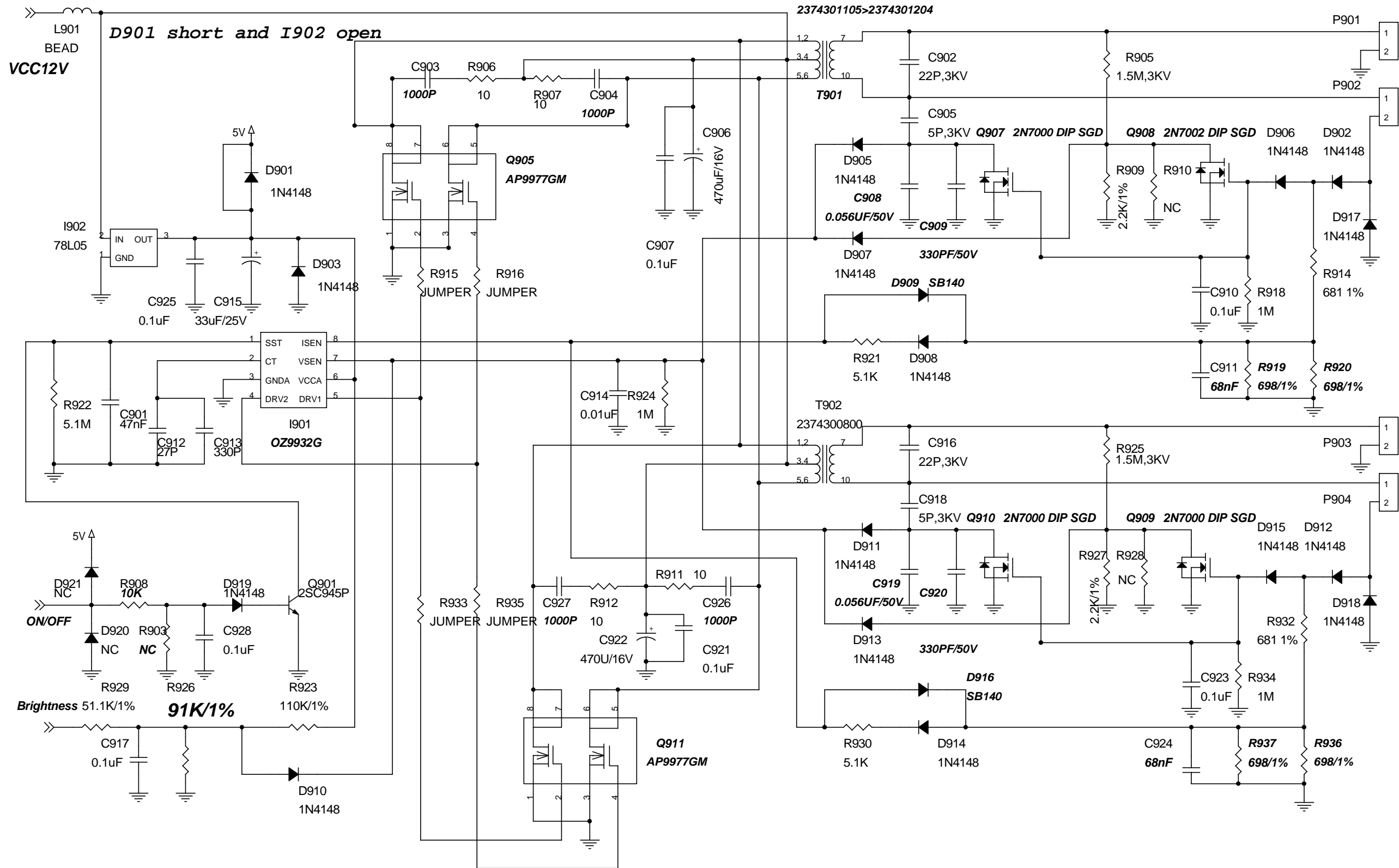


Key\_pad P/N : 2202131400

# 10.7. A/D POWER

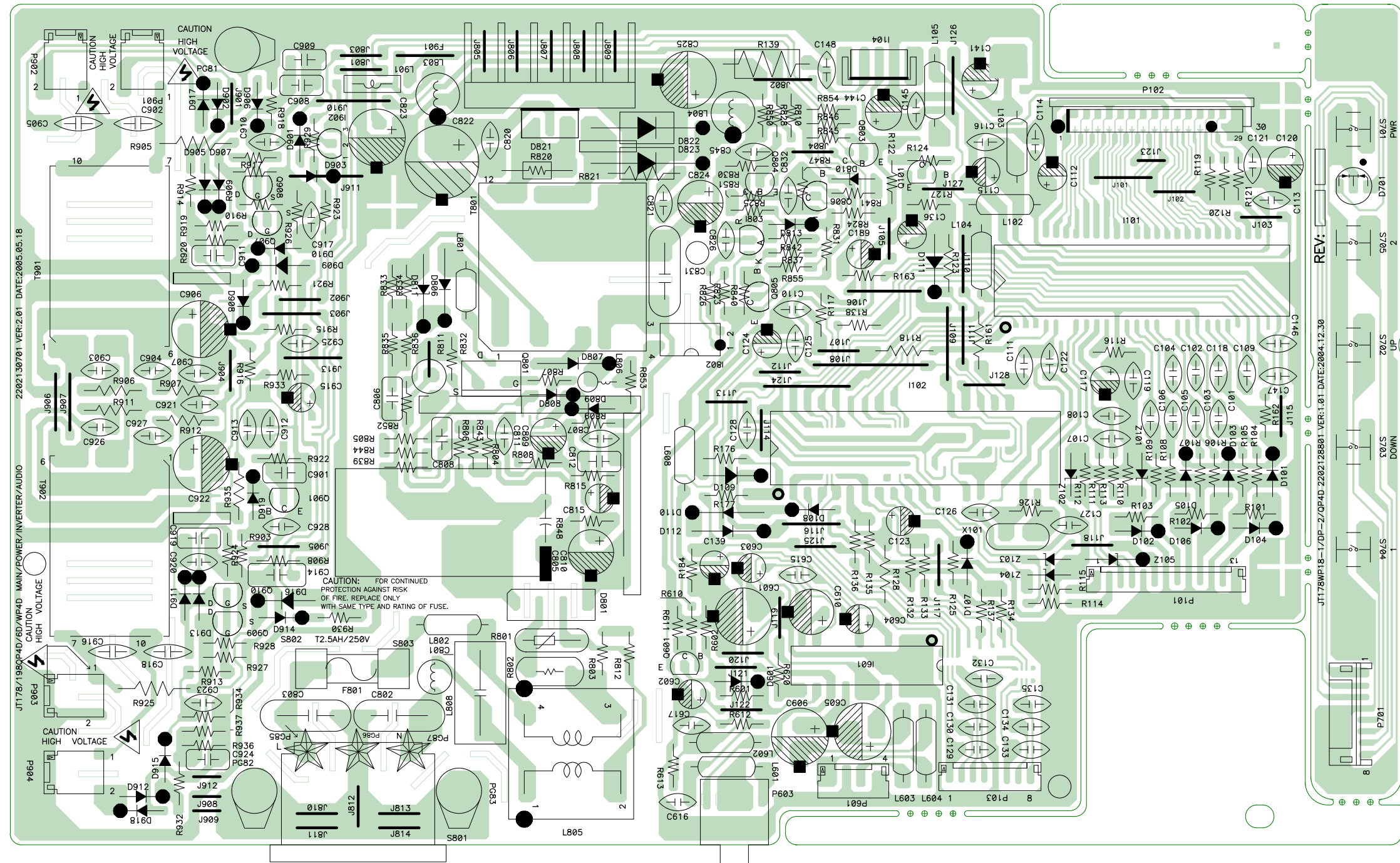


# 10.8. INVERTER



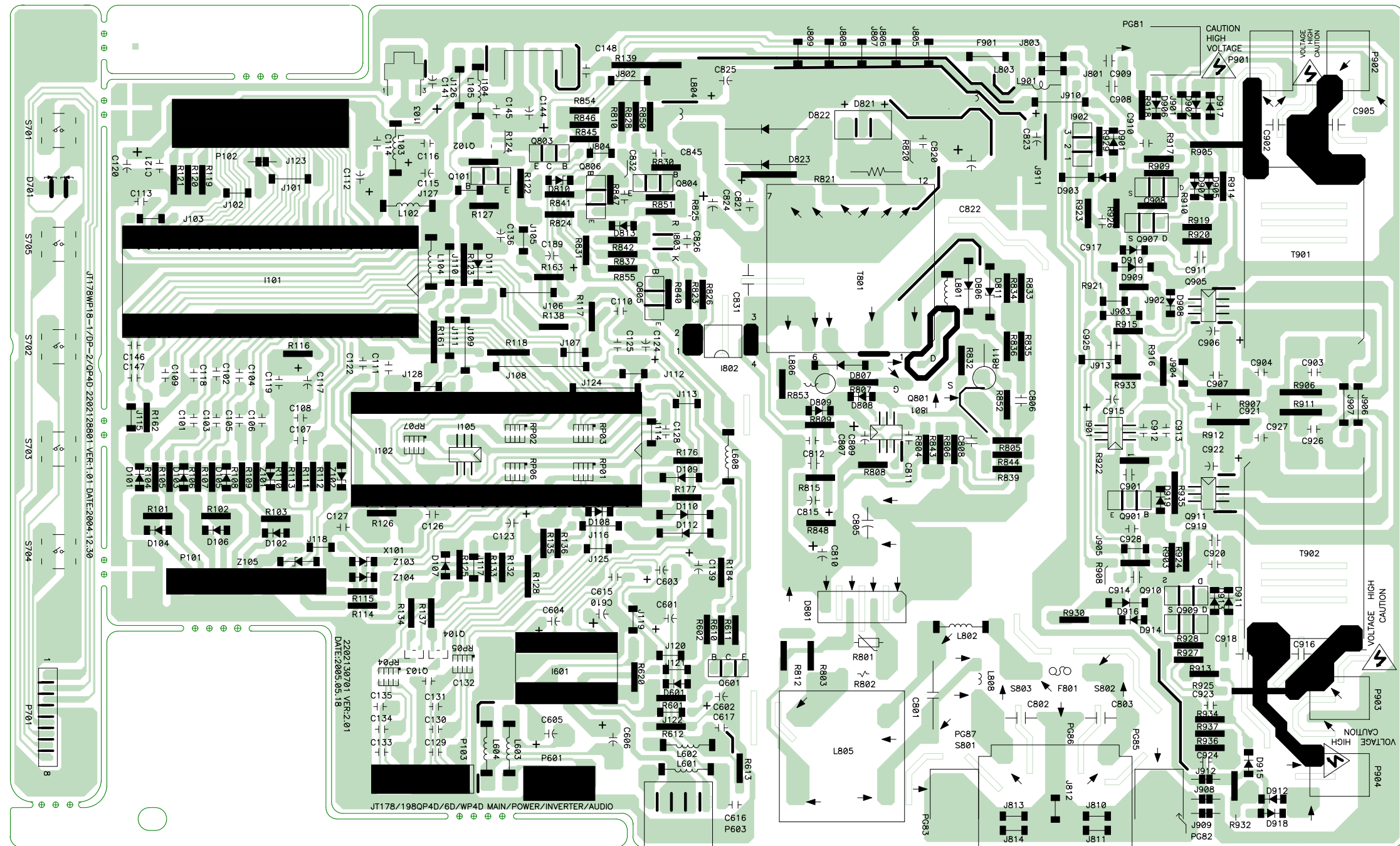
# 11. PCB Layout Diagrams

## 11.1. MAIN PCB TOP VIEW



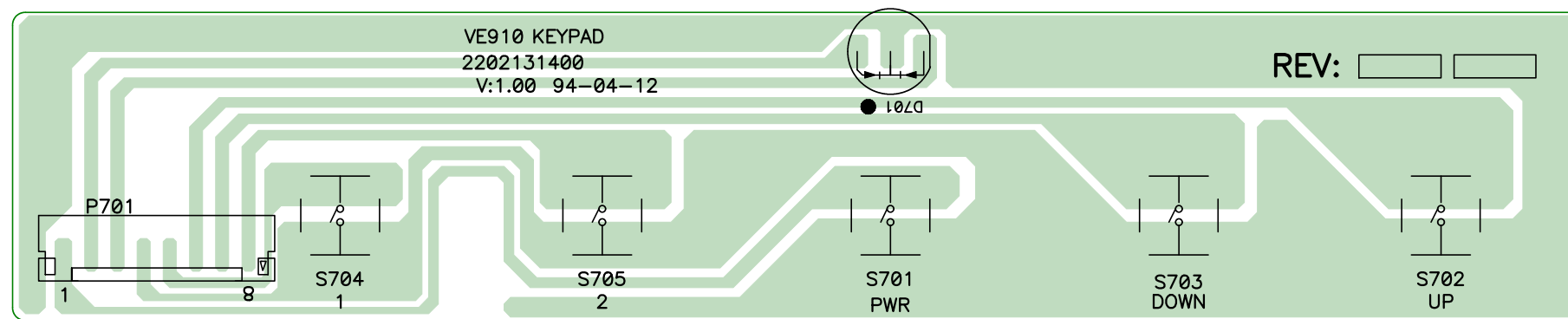


**11.2. MAIN PCB BOTTOM VIEW**

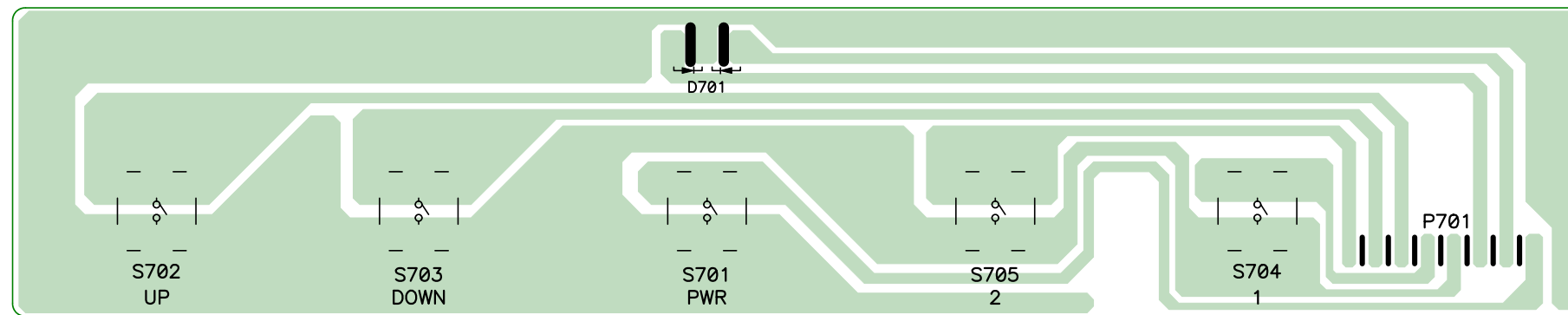




11.3. CON PCB TOP VIEW



11.4. CON PCB BOTTOM VIEW



## \* *Reader's Response* \*

Dear Readers:

Thank you in advance for your feedback on our Service Manual, which allows continuous improvement of our products. We would appreciate your completion of the Assessment Matrix below, for return to ViewSonic Corporation.

### Assessment

**A.** What do you think about the content of this Service Manual?

<i>Unit</i>	<i>Excellent</i>	<i>Good</i>	<i>Fair</i>	<i>Bad</i>
<b>1. Precautions and Safety Notices</b>				
<b>2. Specification</b>				
<b>3. Front Panel Function Control Description</b>				
<b>4. Circuit Description</b>				
<b>5. Adjustment Procedure</b>				
<b>6. Troubleshooting Flow Chart</b>				
<b>7. Recommended Spare Parts List</b>				
<b>8. Exploded Diagram and Exploded Parts List</b>				
<b>9. Block Diagrams</b>				
<b>10. Schematic Diagrams</b>				
<b>11. PCB Layout Diagrams</b>				

**B.** Are you satisfied with this Service Manual?

<i>Item</i>	<i>Excellent</i>	<i>Good</i>	<i>Fair</i>	<i>Bad</i>
<b>1. Service Manual Content</b>				
<b>2. Service Manual Layout</b>				
<b>3. The form and listing</b>				

**C.** Do you have any other opinions or suggestions regarding this service manual?

### Reader's basic data:

<b>Name:</b>		<b>Title:</b>	
<b>Company:</b>			
<b>Add:</b>			
<b>Tel:</b>		<b>Fax:</b>	
<b>E-mail:</b>			

After completing this form, please return it to ViewSonic Quality Assurance in the USA at facsimile 1-909-839-7943. You may also e-mail any suggestions to the Director, Quality Systems & Processes (marc.maupin@viewsonic.com)