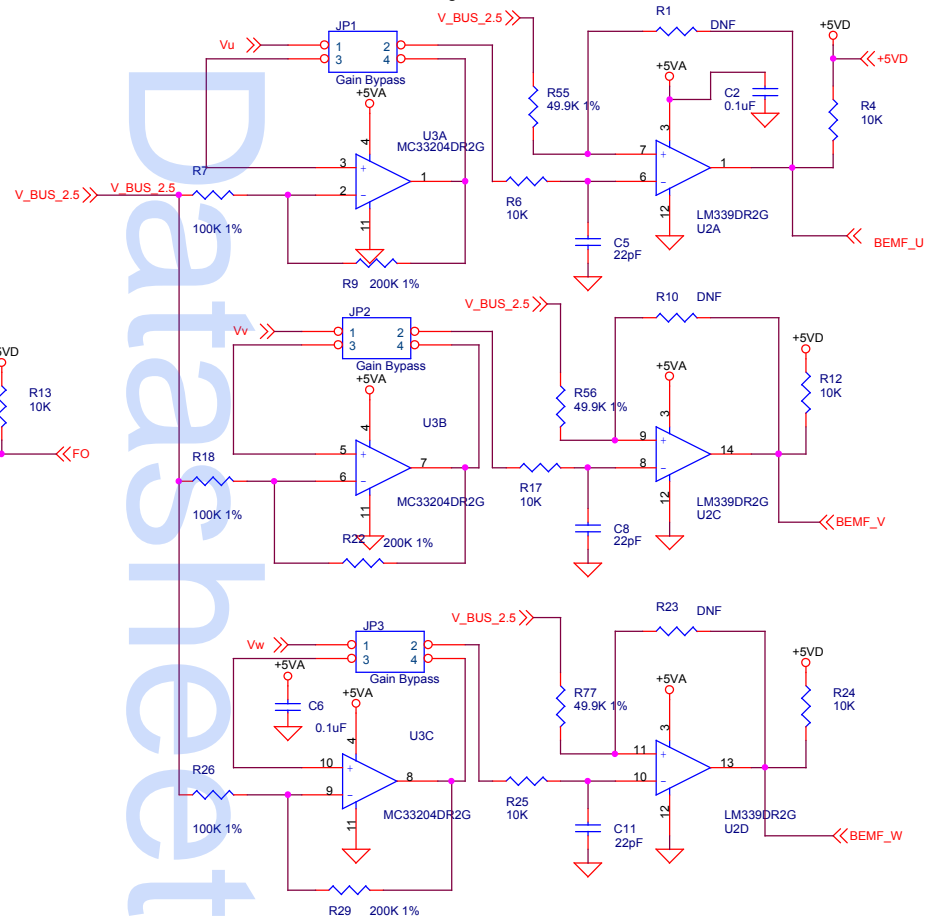
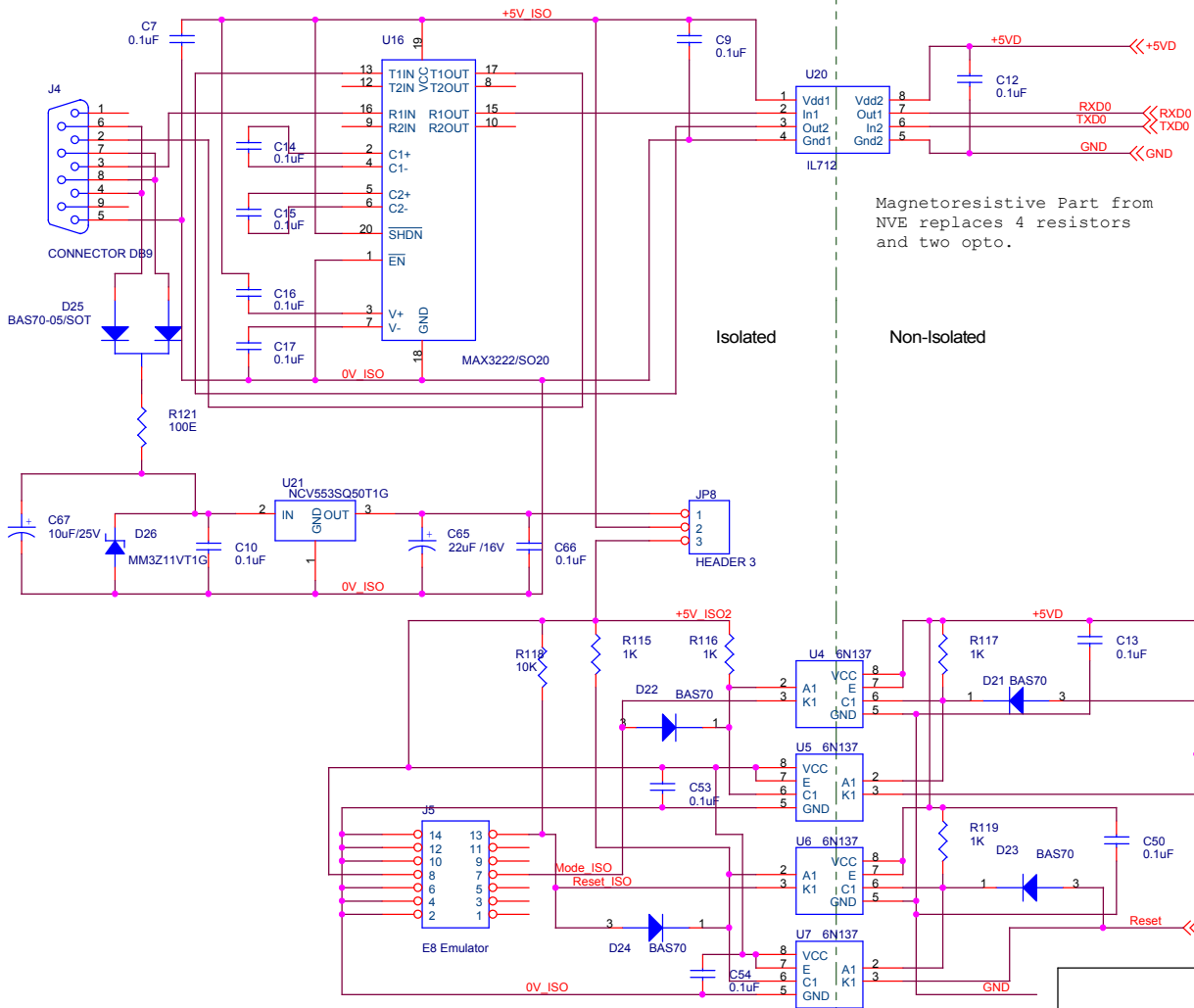


Short 1 & 2 - 3 & 4 for direct comparator loop
Short 1 & 3, 2 & 4 for additional gain

Do not Populate R1, R10 & R23.
Recommended values is 1M 1%



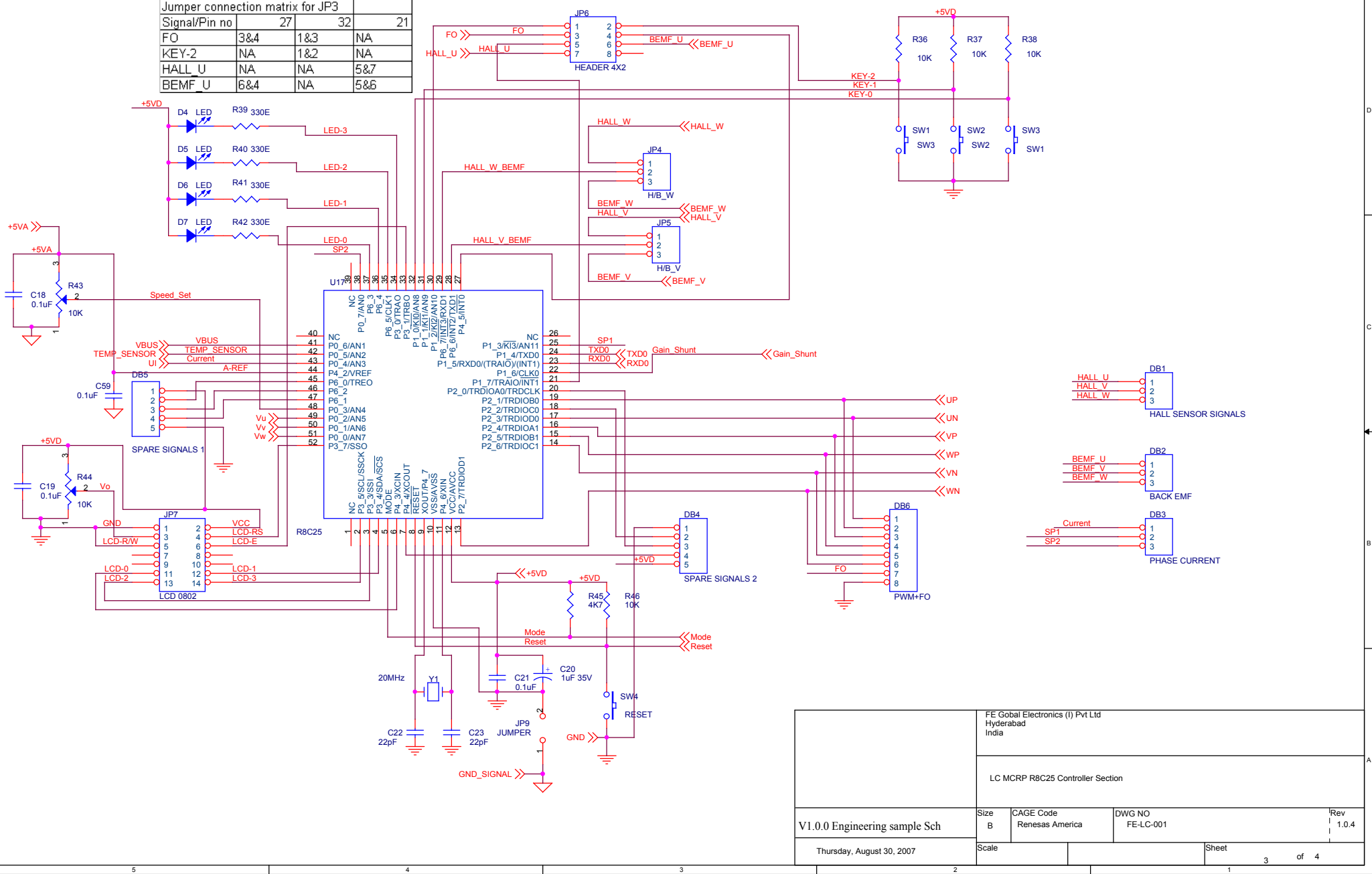
V1.0.0 Engineering sample Sch		FE Gopal Electronics (I) Pvt Ltd Hyderabad India		
		LC MCRP Back EMF & FO		
Thursday, August 30, 2007	Size B	CAGE Code Renesas America	DWG NO FE-LC-001	Rev 1.0.4
Scale		Sheet 1 of 4		



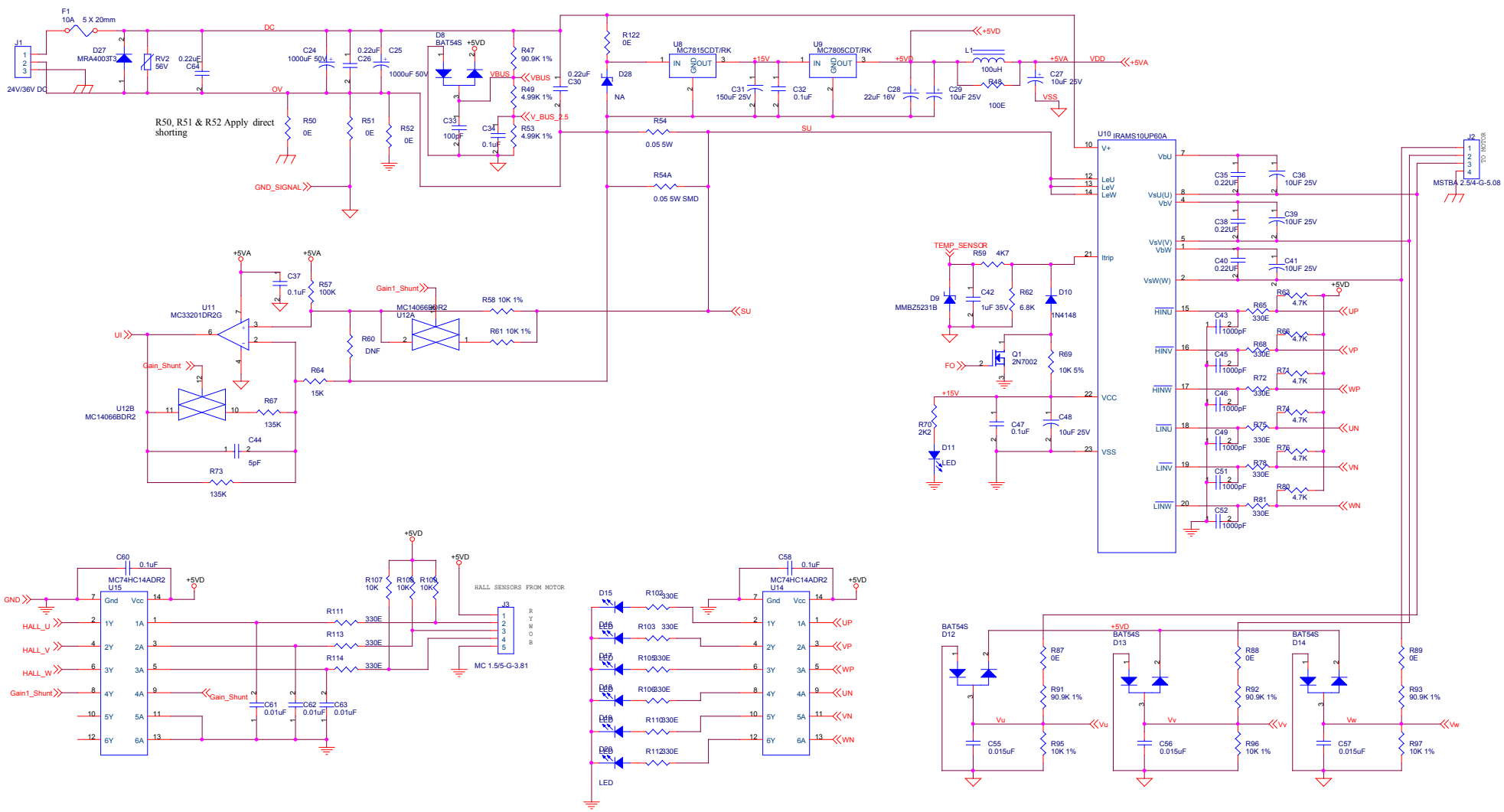
Magneto-resistive Part from NVE replaces 4 resistors and two opto.

FE Global Electronics (I) Pvt Ltd Hyderabad India			
LC MCRP Communication section			
V1.0.0 Engineering sample Sch	Size B	CAGE Code Renesas America	DWG NO FE-LC-001
Thursday, August 30, 2007	Scale	Sheet 2 of 4	Rev 1.0.4

Signal/Pin no	27	32	21
FO	3&4	1&3	NA
KEY-2	NA	1&2	NA
HALL U	NA	NA	5&7
BEMF U	6&4	NA	5&6



FE Gopal Electronics (I) Pvt Ltd Hyderabad India				
LC MCRP R8C25 Controller Section				
V1.0.0 Engineering sample Sch	Size B	CAGE Code Renesas America	DWG NO FE-LC-001	Rev 1.0.4
Thursday, August 30, 2007	Scale	Sheet 3	of 4	



FE Global Electronics (I) Pvt Ltd Hyderabad India			
LC MCRP Power Section			
V1.0.0 Engineering sample Sch	Size C	CAGE Code Renesas America	DWG NO FE-LC-001
Thursday, August 30, 2007	Scale	Sheet 4	Rev 1.0.4