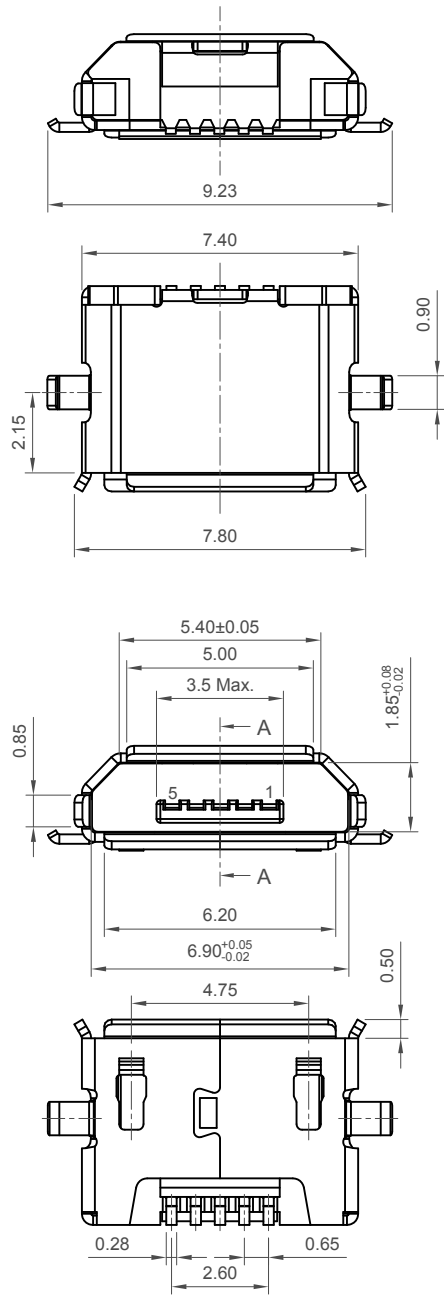
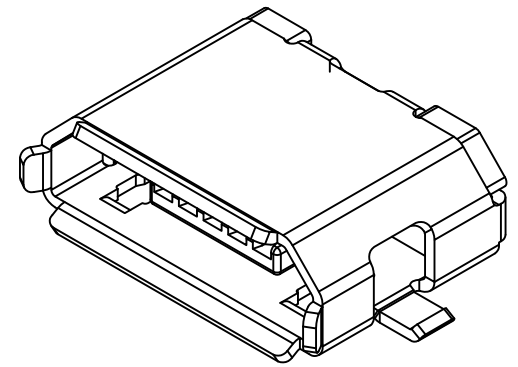
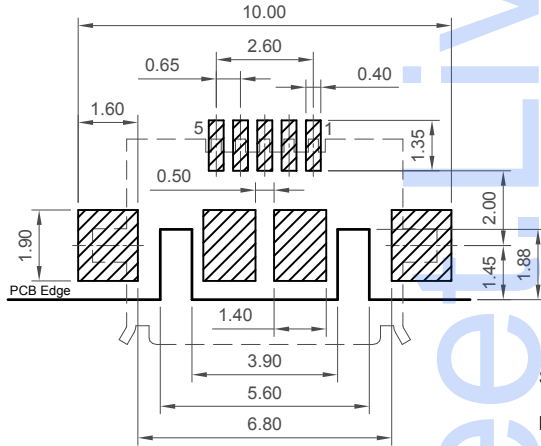
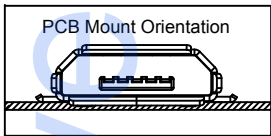


H
G
F
E
D
C
B
A



Designed to comply with physical, electrical and environmental requirements of Micro USB Standard (USB2.0).



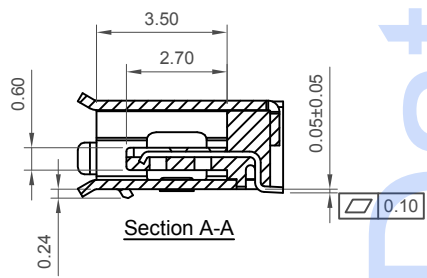
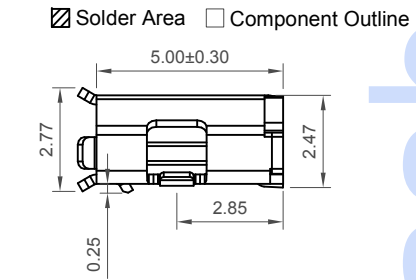
Specifications

Material
 Plastic Housing: LCP, UL94V-0, Black (E106764)
 Contact Terminal: Copper Alloy
 Metallic Shell: Stainless Steel, SUS 304, T = 0.25mm

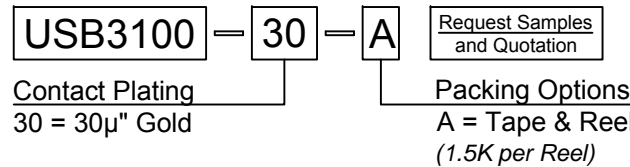
Electrical
 Voltage Rating: 30 V AC
 Current Rating: Signal (Pins 2,3,4):1.0A.
 Power (Pins 1,5):1.8A.
 Operating Temperature: -30°C to +85°C
 Contact Resistance: 30mΩ max.
 Insulating Resistance: 1000MΩ min.
 Dielectric Withstand Voltage: 500V AC/Minute

Plating
 Contact Terminal:
 Contact Area: 30μ" Gold plating
 Solder Tails: Gold Flash
 Underplating: 50μ" Nickel
 Metallic Shell: Matte Tin

Mechanical & Environmental
 Mating Force: 35N max.
 Unmating Force: 10N min.
 Durability: 10,000 Cycles



Ordering Grid



| | | | |
|--------------|------------------|---|----------------------|
| Part Number | | Product Description | |
| USB3100 | | Micro USB Receptacle, Type B, Surface Mount, Horizontal, Top (Reverse) Mount, without Peg | |
| Drawing Date | | 1st June 2012 | |
| By | CC | Tolerances (Except as Noted) | Units: |
| Detail | USB3100 B PCN | Length X.X ± 0.2 X.XX ± 0.10 X.XXX ± 0.05 | Metric (mm) |
| Revision | B5 | Angle X.XX° ± 2° X.XX° ± 1° X.XXX° ± 0.5° | 3rd Angle Projection |
| Date | 19/06/18 | | |



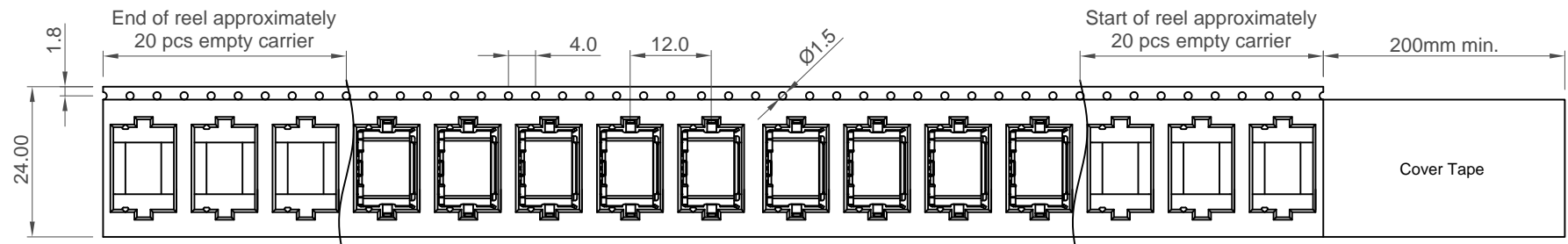
This drawing is confidential and copyright of Global Connector Technology, Ltd (GCT). This drawing must not be copied or disclosed without written consent. E & OE



| | | |
|--------------|--------------|---------------|
| Not to Scale | Drawn By ASE | Sheet No. 1/2 |
|--------------|--------------|---------------|

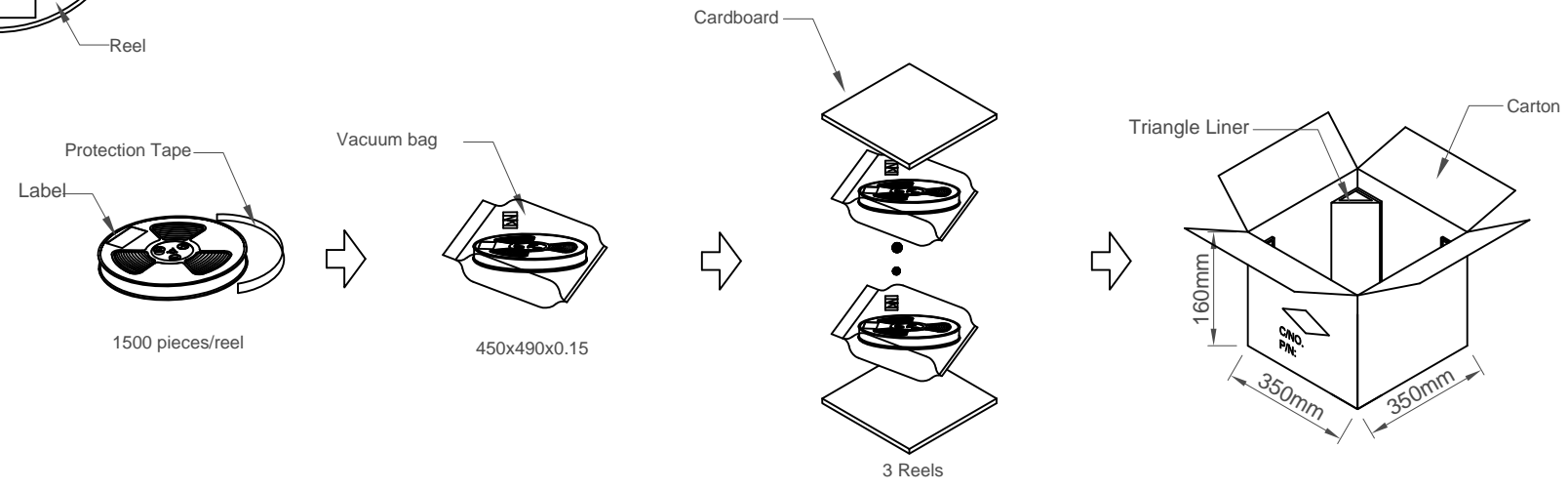
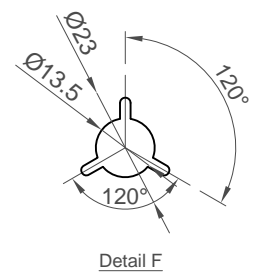
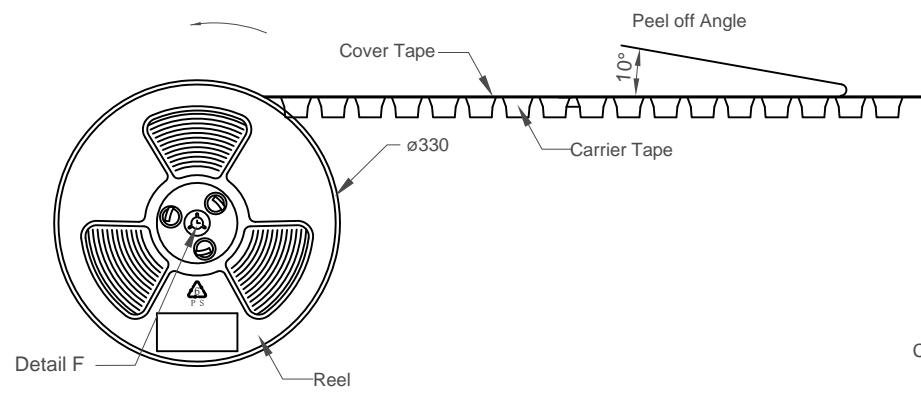
1 2 3 4 5 6 7 8

H
G
F
E
D
C
B
A



| Products P/N | PCS/Reel | Reels/Carton | PCS/Carton |
|--------------|----------|--------------|------------|
| USB3100 | 1500 | 3 | 4500 |

- Notes:
1. Peeling off force of top tape: 0.1-1.3N
 2. Part Conforms to EIA-481-C Standards
 3. All dimensions in millimeters
 4. 10 sprocket hole pitch cumulative tolerance ± 0.2 mm



| | | | |
|--------------|------------------|---|--|
| Part Number | | Product Description | |
| USB3100 | | Micro USB Receptacle, Type B, Surface Mount, Horizontal, Top (Reverse) Mount, without Peg | |
| Drawing Date | | 1st June 2012 | |
| By | CC | Tolerances (Except as Noted) | Units: |
| Detail | USB3100 B PCN | Length X.X ± 0.5 X.XX ± 0.30 X.XXX ± 0.20 | Angle X.X° $\pm 2^\circ$ X.XX° $\pm 1^\circ$ X.XXX° $\pm 0.5^\circ$ |
| Revision | B5 | Metric (mm) | |
| Date | 19/06/18 | 3rd Angle Projection | |



This drawing is confidential and copyright of Global Connector Technology, Ltd (GCT). This drawing must not be copied or disclosed without written consent. E & OE



| | | |
|--------------|--------------|---------------|
| Not to Scale | Drawn By ASE | Sheet No. 2/2 |
|--------------|--------------|---------------|

1 2 3 4 5 6 7 8