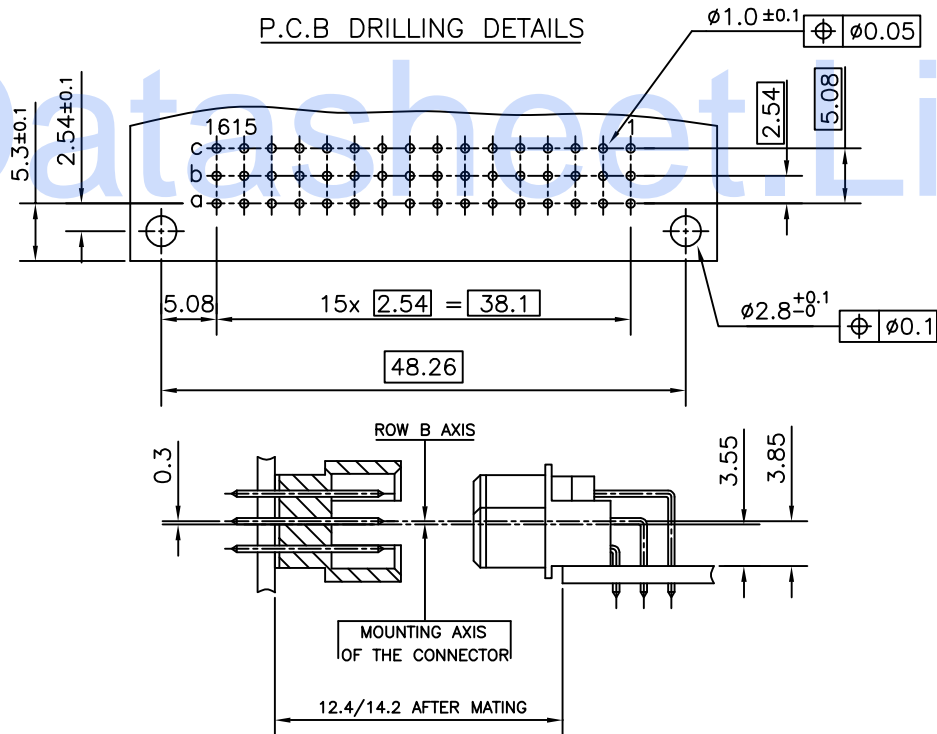


NO OPTION

WITH HARPOONS

P.C.B DRILLING DETAILS



TECHNICAL SPECIFICATION

HOUSING MATERIAL : THERMOPLASTIC POLYESTER UL 94V-0, GREY
 HOUSING CAN WITHSTAND EXPOSURE TO LEAD FREE WAVE SOLDERING TEMPERATURE OF 260-265°C WHEN USED WITH PROTECTIVE ADHESIVE OR PROTECTIVE METALLIC DEVICE FOR RIGHT ANGLE CONNECTORS AS IT IS USED IN CLASSICAL LEAD WAVE SOLDERING AT 235-250°C

CONTACT MATERIAL : COPPER ALLOY
 CONTACT PLATING :
 ACTIVE ZONE : GOLD OVER NICKEL
 TERMINATION ZONE :
 TIN LEAD VERSION : TIN LEAD OVER NICKEL
 LEAD FREE VERSION : TIN (PURE MATTE) OVER NI
 HARPOON PLATING :
 TIN LEAD VERSION : TIN LEAD OVER NICKEL
 LEAD FREE VERSION : TIN (PURE MATTE) OVER NI

ELECTRICAL DATA

CURRENT RATING AT 20°C : 1,5 A
 CURRENT (I MAX) : 2 A
 TEMPERATURE RANGE : -55°C/ +125°C
 CONTACT RESISTANCE : ≤ 20mΩ
 INSULATION RESISTANCE : ≥ 10⁶ MΩ
 TEST VOLTAGE (rms) : 1000V

MECHANICAL DATA

INSERTION FORCE PER CONTACT : ≤ 0.94N
 EXTRACTION FORCE PER CONTACT : ≥ 0.15N

REFERENCE SPECIFICATIONS : DIN 41612 / IEC 603-2

SERIES	8609	3	48	8	6	13	7	6	5	000E1
ROWS FITTED WITH CONTACTS										
Rows a b c		3	48							
Rows a - c		4	32							
NUMBER OF CONTACTS										
TYPE OF INSULATOR										
3 ROW FEMALE INSULATOR						8				
METHOD OF MOUNTING										
REVERSE MOUNTING - STYLE R/2									6	
TERMINATION										
ANGLED SPILL										13
OPTIONS										
NO OPTION										7
WITH HARPOONS										H
PERFORMANCE CLASS										
DIN 41612 CLASS 3										4
DIN 41612 CLASS 2										5
DIN 41612 CLASS 1										6
AS PER MIL C 55302/ JSS 50808										8
PITCH PER ROW										
2.54										5
000E1										TIN LEAD VERSION
E1LF										LEAD FREE VERSION

NOTES:-
 1. THE "LF" PRODUCTS MEET EUROPEAN UNION DIRECTIVES AND OTHER COUNTRY REGULATIONS AS DESCRIBED IN GS-22-008
 2. THE HOUSING WILL WITHSTAND EXPOSURE TO 260°C PEAK TEMPERATURE FOR 3.5 SECONDS IN A WAVE SOLDER APPLICATION WITH A 1.6 MM MINIMUM THICK CIRCUIT BOARD
 3. LEAD FREE OR RoHS DIRECTIVE LABELING TO BE PROVIDED AS PER GS-14-920 FOR LEAD FREE VERSION.

mat'l. code		surface		tolerance		projection		product family	
-		ISO 1302		ISO 406 ISO 1101		mm		8609	
ltr		ecn no		dr		date		title	
A		I04-0100		MINI		09/11/2004		DIN REVERSE RECEPTACLE	
B		I05-0042		MINI		19/05/2005		ANGLED SPILL DIN 41612 STYLE-R/2	
C		I06-0063		MINI		01/06/2006		scale -	
sheet index		revision		dr		date		dwg no	
sheet		C		MINI K VANDANATH		23/09/2004		sheet 1 of 1	
				enfr		23/09/2004		size	
				chr		01/06/2006		A3	
				appd		01/06/2006		type	
				RAKHEE GEORGE				Product Customer Drawing	