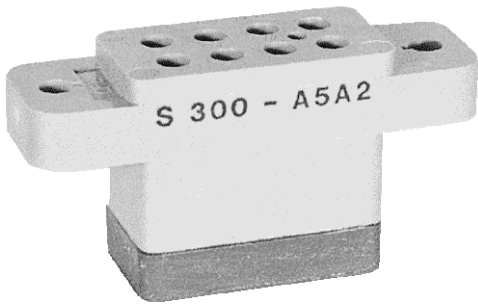


S300, S301, S302

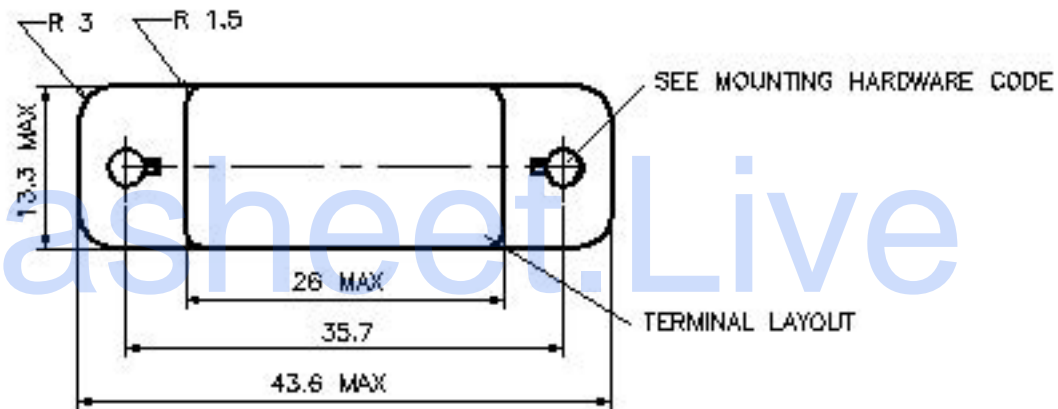
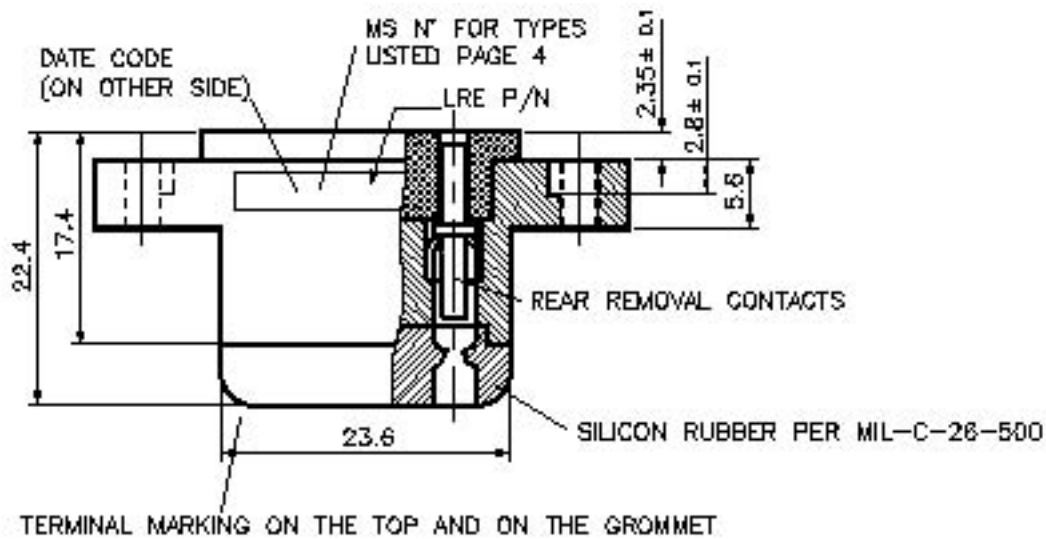
ENGINEERING DATA SHEET

RELAY SOCKET
10 AMP



BASIC SOCKET SERIES DESIGNATION FOR:

**Series M300 (DC Coil), M301 (DC Coil),
M302 (DC Coil), FD300, FLS300, FLR300**



GENERAL CHARACTERISTICS

Crimp tool contact #22	M 22520/2-01 with turret M 22520/2-14.
Insertion and extraction tool #22	M 81969/14-01.
Crimp tool contact #16	M 22520/1-01 with turret M 22520/1-02 or MS 3191-1.
Insertion and extraction tool #16	M 81969/14-03 .
Weight	35g max.
Temperature range	70° C to +125° C.



Featuring **LEACH**® power and control solutions
www.esterline.com

AMERICAS
6900 Orangethorpe Ave.
P.O. Box 5032
Buena Park, CA 90622

Tel: (01) 714-736-7599
Fax: (01) 714-670-1145

EUROPE
2 Rue Goethe
57430 Sarralbe
France

Tel: (33) 3 87 97 31 01
Fax: (33) 3 87 97 96 86

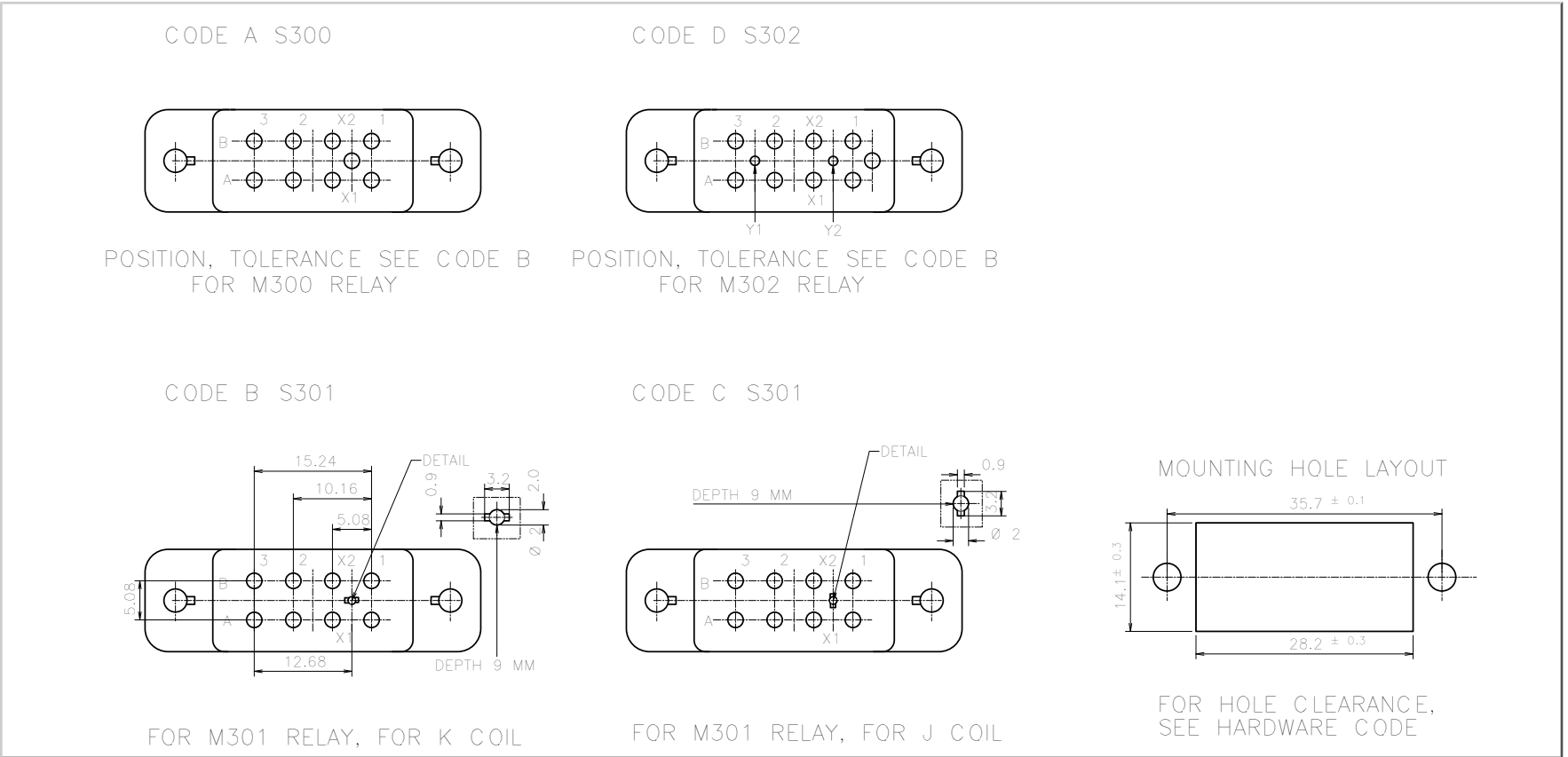
ASIA
Units 602-603 6/F Lakeside 1
No.8 Science Park West Avenue
Phase Two, Hong Kong Science Park
Pak Shek Kok, Tai Po, N.T.
Hong Kong

Tel: (852) 2 191 3830
Fax: (852) 2 389 5803

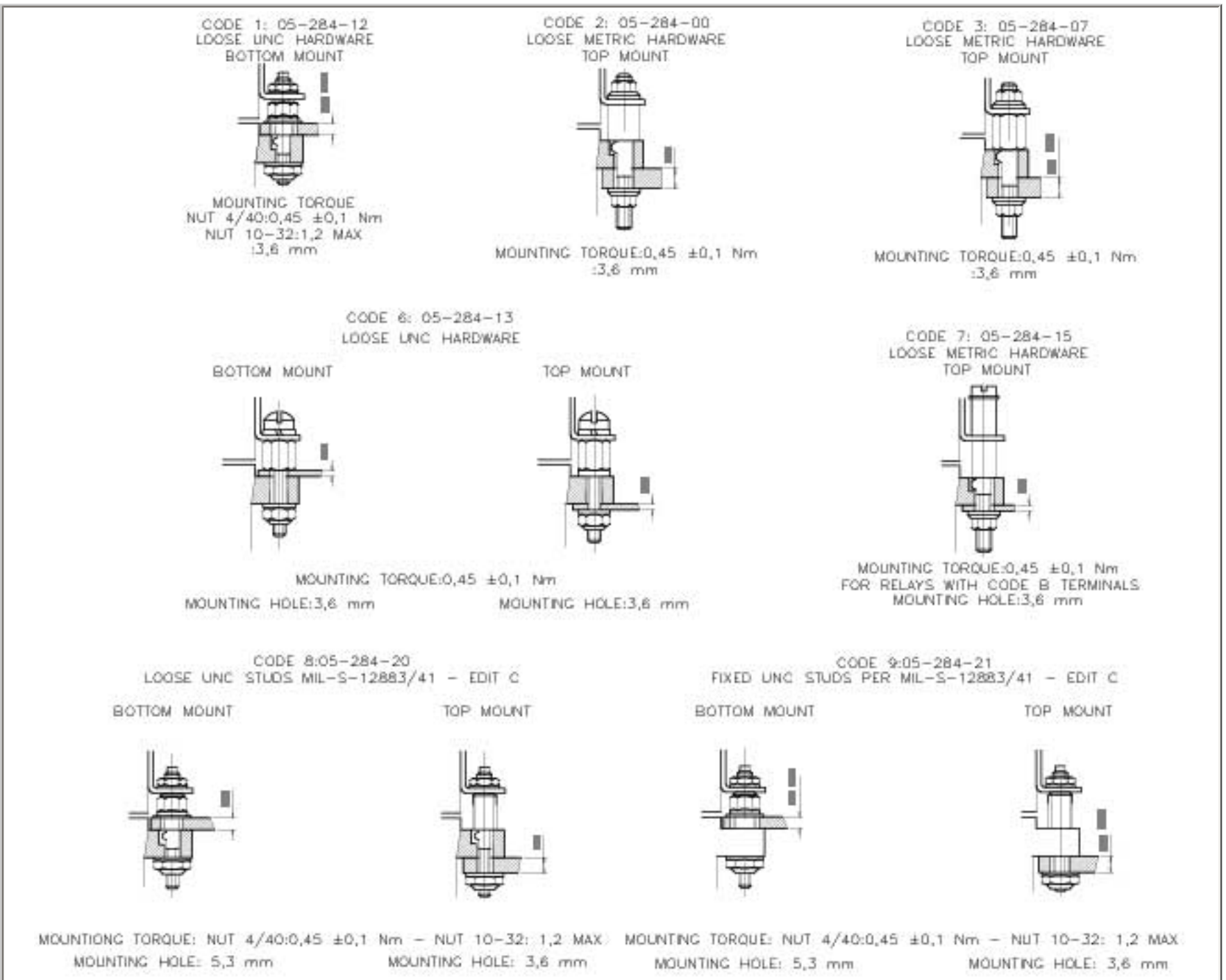
Data sheets are for initial product selection and comparison. Contact Esterline Power Systems prior to choosing a component.

TERMINAL LAYOUT

S300, S301, S302



MOUNTING HARDWARE



WIRE INSULATION DIAMETER FOR SEAL TO GROMMET

S300, S301, S302

<p>Code A</p> <p>Recommended for contact code 2 contact code 8 Dia: 1.22.6mm (Y1-Y2) Dia: 0.8....1.4mm</p>	<p>Code B</p> <p>Recommended for contact code 3 contact code 9 Dia: 0.82.1mm (Y1-Y2) Dia: 0.8....1.4mm</p>
---	---

CONTACT SIZE AND STYLE

<p>Y1-Y2 Crimp end to accomodate AWG22-24 05 912 00 (for product code 2+3) 31 036 00 <u>Contact mating end #22</u> (for contact code 8+9) MIL-C-39029/92-531 Bin Code colour bands or Bin Code numbering on crimp side <u>Contact mating end #22</u></p>	<p>Code 2 05 911 00</p>	<p>Crimpend to accomodate AWG16-18-20</p>	<p>Code 3 05 911 10</p>	<p>Crimpend to accomodate AWG20-22-24</p>
<p>Code 0 Without contacts</p>	<p>Code 8 30 315 00</p>	<p>Crimpend to accomodate AWG16-18-20 MIL-C-39029/92- 533 Bin Code colour bands or Bin Code numbering on crimp side</p>	<p>Code 9 30 315 10</p>	<p>Crimpend to accomodate AWG20-22-24 MIL-C-39029/92- 534 Bin Code colour bands or Bin Code numbering on crimp side</p>
	<u>Contact mating end #16</u>		<u>Contact mating end #16</u>	<u>Contact mating end #16</u>

SOCKET NUMBERING SYSTEM

	S300	A	1	A	2
1-Basic socket designation_____					
2-Terminal Layout_____					
3-Mounting Hardware_____					
4-Grommet to seal on wire insulation_____					
5-Contact size and style_____					

MS/LEACH CROSS PART NO. AND MATING RELAYS

S300, S301, S302

	MS - Number	LEACH P/N	Contacts to accomodate wire #		Applicable for relays
MIL-S-12883/41	-01	S300-A6A2	16-18-20	Loose terminals Above/below panel mounting	M300-D4A /-L/-N/-B/-C
	-04	S300-A6B3	20-22-24		M 301-D4F/-K
	-02	S301-B6A2	16-18-20		M 301-D4E/-J
	-03	S301-C6A2	16-18-20		
	MS - Number	LEACH P/N	Contacts to accomodate wire #		Applicable for relays
MIL-S-12883/41B	-11	S300-A1A2	16-18-20	Loose terminals below panel mounting	M300-D4A /-L/-N/-B/-C
	-14	S300-A1B3	20-22-24		M 301-D4F/-K
	-12	S301-B1A2	16-18-20		M 301-D4E/-J
	-13	S301-C1A2	16-18-20		
	MS - Number	LEACH P/N	Contacts to accomodate wire #		Applicable for relays
MIL-S-12883/41C	-11S	S300-A8A8	16-18-20	Loose terminals Above/below panel mounting	M300-D4A /-L/-N/-B/-C
	-14S	S300-A8B9	20-22-24		M301-D4F/-K
	-12S	S301-B8A8	16-18-20		M301-D4F/-J
	-13S	S301-C8A8	16-18-20		M302-D4A/ -L/-N/-B/-C
	-15S	S302-D8A8	16-18-20		
MIL-S-12883/41C	-16S	S300-A9A8	16-18-20	Fixed terminals Above/below panel mounting	M300-D4A /-L/-N/-B/-C
	-19S	S300-A9B9	20-22-24		M 301-D4F/-K
	-17S	S301-B9A8	16-18-20		M 301-D4E/-J
	-18S	S301-C9A8	16-18-20		M 302-D4A/ -L/-N/-B/-C
	-20S	S302-D9A8	16-18-20		