

LM339, LM339E, LM239, LM2901, LM2901E, LM2901V, NCV2901, MC3302



ON Semiconductor®

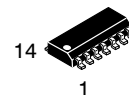
www.onsemi.com

Single Supply Quad Comparators

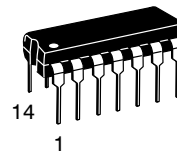
These comparators are designed for use in level detection, low-level sensing and memory applications in consumer, automotive, and industrial electronic applications.

Features

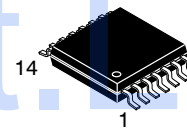
- Single Supply Operation: 3.0 V to 36 V
- Split Supply Operation: ± 1.5 V to ± 18 V
- Low Input Bias Current: 25 nA (Typ)
- Low Input Offset Current: ± 5.0 nA (Typ)
- Low Input Offset Voltage
- Input Common Mode Voltage Range to GND
- Low Output Saturation Voltage: 130 mV (Typ) @ 4.0 mA
- TTL and CMOS Compatible
- ESD Clamps on the Inputs Increase Reliability without Affecting Device Operation
- NCV Prefix for Automotive and Other Applications Requiring Unique Site and Control Change Requirements; AEC-Q100 Qualified and PPAP Capable
- These Devices are Pb-Free, Halogen Free/BFR Free and are RoHS Compliant



SOIC-14
D SUFFIX
CASE 751A

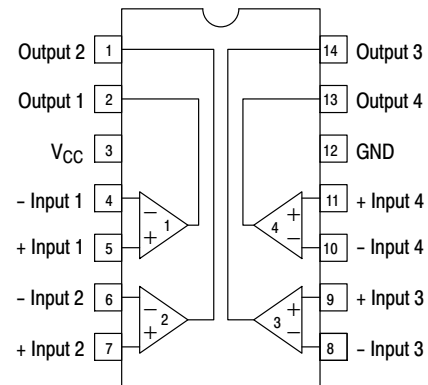


PDIP-14
N, P SUFFIX
CASE 646



TSSOP-14
DTB SUFFIX
CASE 948G

PIN CONNECTIONS



(Top View)

ORDERING INFORMATION

See detailed ordering and shipping information in the package dimensions section on page 7 of this data sheet.

DEVICE MARKING INFORMATION

See general marking information in the device marking section on page 8 of this data sheet.

LM339, LM339E, LM239, LM2901, LM2901E, LM2901V, NCV2901, MC3302

MAXIMUM RATINGS

Rating	Symbol	Value	Unit
Power Supply Voltage LM239/LM339, E/LM2901, E, V MC3302	V_{CC}	+36 or ± 18 +30 or ± 15	Vdc
Input Differential Voltage Range LM239/LM339, E/LM2901, E, V MC3302	V_{IDR}	36 30	Vdc
Input Common Mode Voltage Range	V_{ICMR}	-0.3 to 36	Vdc
Output Short Circuit to Ground (Note 1)	I_{SC}	Continuous	
Power Dissipation @ $T_A = 25^\circ\text{C}$ Plastic Package Derate above 25°C	P_D $1/R_{\theta JA}$	1.0 8.0	W mW/ $^\circ\text{C}$
Junction Temperature	T_J	150	$^\circ\text{C}$
Operating Ambient Temperature Range LM239 MC3302 LM2901, LM2901E LM2901V, NCV2901 LM339, LM339E	T_A	-25 to +85 -40 to +85 -40 to +105 -40 to +125 0 to +70	$^\circ\text{C}$
Storage Temperature Range	T_{stg}	-65 to +150	$^\circ\text{C}$

Stresses exceeding those listed in the Maximum Ratings table may damage the device. If any of these limits are exceeded, device functionality should not be assumed, damage may occur and reliability may be affected.

1. The maximum output current may be as high as 20 mA, independent of the magnitude of V_{CC} . Output short circuits to V_{CC} can cause excessive heating and eventual destruction.

ESD RATINGS

Rating	HBM	MM	Unit
ESD Protection at any Pin (Human Body Model – HBM, Machine Model – MM) NCV2901	2000	200	V
LM339E, LM2901E	1500	200	V
LM339DG/DR2G, LM2901DG/DR2G	250	100	V
All Other Devices	1500	200	V



NOTE: Diagram shown is for 1 comparator.

Figure 1. Circuit Schematic

LM339, LM339E, LM239, LM2901, LM2901E, LM2901V, NCV2901, MC3302

ELECTRICAL CHARACTERISTICS (V_{CC} = +5.0 Vdc, T_A = +25°C, unless otherwise noted)

Characteristic	Symbol	LM239/339/339E			LM2901/2901E/2901V /NCV2901			MC3302			Unit
		Min	Typ	Max	Min	Typ	Max	Min	Typ	Max	
Input Offset Voltage (Note 3)	V _{IO}	-	±2.0	±5.0	-	±2.0	±7.0	-	±3.0	±20	mVdc
Input Bias Current (Notes 3, 4) (Output in Analog Range)	I _{IB}	-	25	250	-	25	250	-	25	500	nA
Input Offset Current (Note 3)	I _{IO}	-	±5.0	±50	-	±5.0	±50	-	±3.0	±100	nA
Input Common Mode Voltage Range (Note 5)	V _{ICMR}	0	-	V _{CC} -1.5	0	-	V _{CC} -1.5	0	-	V _{CC} -1.5	V
Supply Current R _L = ∞ (For All Comparators) R _L = ∞, V _{CC} = 30 Vdc	I _{CC}	-	0.8 1.0	2.0 2.5	-	0.8 1.0	2.0 2.5	-	0.8 1.0	2.0 2.5	mA
Voltage Gain R _L ≥ 15 kΩ, V _{CC} = 15 Vdc	A _{VOL}	50	200	-	25	100	-	25	100	-	V/mV
Large Signal Response Time V _I = TTL Logic Swing, V _{ref} = 1.4 Vdc, V _{RL} = 5.0 Vdc, R _L = 5.1 kΩ	-	-	300	-	-	300	-	-	300	-	ns
Response Time (Note 6) V _{RL} = 5.0 Vdc, R _L = 5.1 kΩ	-	-	1.3	-	-	1.3	-	-	1.3	-	μs
Output Sink Current V _I (-) ≥ +1.0 Vdc, V _I (+) = 0, V _O ≤ 1.5 Vdc	I _{Sink}	6.0	16	-	6.0	16	-	6.0	16	-	mA
Saturation Voltage V _I (-) ≥ +1.0 Vdc, V _I (+) = 0, I _{sink} ≤ 4.0 mA	V _{sat}	-	130	400	-	130	400	-	130	500	mV
Output Leakage Current V _I (+) ≥ +1.0 Vdc, V _I (-) = 0, V _O = +5.0 Vdc	I _{OL}	-	0.1	-	-	0.1	-	-	0.1	-	nA

Product parametric performance is indicated in the Electrical Characteristics for the listed test conditions, unless otherwise noted. Product performance may not be indicated by the Electrical Characteristics if operated under different conditions.

2. (LM239) T_{low} = -25°C, T_{high} = +85°C
 (LM339, LM339E) T_{low} = 0°C, T_{high} = +70°C
 (MC3302) T_{low} = -40°C, T_{high} = +85°C
 (LM2901), (LM2901E) T_{low} = -40°C, T_{high} = +105°C
 (LM2901V & NCV2901) T_{low} = -40°C, T_{high} = +125°C
NCV2901 is qualified for automotive use.
3. At the output switch point, V_O = 1.4 Vdc, R_S ≤ 100 Ω, 5.0 Vdc ≤ V_{CC} ≤ 30 Vdc, with the inputs over the full common mode range (0 Vdc to V_{CC} - 1.5 Vdc).
4. The bias current flows out of the inputs due to the PNP input stage. This current is virtually constant, independent of the output state.
5. Positive excursions of input voltage may exceed the power supply level. As long as one input voltage remains within the common mode range, the comparator will provide a proper output state. Refer to the Maximum Ratings table for safe operating area.
6. The response time specified is for a 100 mV input step with 5.0 mV overdrive. For larger signals, 300 ns is typical.

LM339, LM339E, LM239, LM2901, LM2901E, LM2901V, NCV2901, MC3302

PERFORMANCE CHARACTERISTICS (V_{CC} = +5.0 Vdc, T_A = T_{low} to T_{high} [Note 7])

Characteristic	Symbol	LM239/339/339E			LM2901/2901E/2901V /NCV2901			MC3302			Unit
		Min	Typ	Max	Min	Typ	Max	Min	Typ	Max	
Input Offset Voltage (Note 8)	V _{IO}	-	-	±9.0	-	-	±15	-	-	±40	mVdc
Input Bias Current (Notes 8, 9) (Output in Analog Range)	I _{IB}	-	-	400	-	-	500	-	-	1000	nA
Input Offset Current (Note 8)	I _{IO}	-	-	±150	-	-	±200	-	-	±300	nA
Input Common Mode Voltage Range	V _{ICMR}	0	-	V _{CC} -2.0	0	-	V _{CC} -2.0	0	-	V _{CC} -2.0	V
Saturation Voltage V _{I(-)} ≥ +1.0 Vdc, V _{I(+)} = 0, I _{sin} ≤ 4.0 mA	V _{sat}	-	-	700	-	-	700	-	-	700	mV
Output Leakage Current V _{I(+)} ≥ +1.0 Vdc, V _{I(-)} = 0, V _O = 30 Vdc	I _{OL}	-	-	1.0	-	-	1.0	-	-	1.0	μA
Differential Input Voltage All V _I ≥ 0 Vdc	V _{ID}	-	-	V _{CC}	-	-	V _{CC}	-	-	V _{CC}	Vdc

7. (LM239) T_{low} = -25°C, T_{high} = +85°C
 (LM339, LM339E) T_{low} = 0°C, T_{high} = +70°C
 (MC3302) T_{low} = -40°C, T_{high} = +85°C
 (LM2901, LM2901E) T_{low} = -40°C, T_{high} = +105°C
 (LM2901V & NCV2901) T_{low} = -40°C, T_{high} = +125°C
NCV2901 is qualified for automotive use.

8. At the output switch point, V_O ≈ 1.4 Vdc, R_S ≤ 100 Ω 5.0 Vdc ≤ V_{CC} ≤ 30 Vdc, with the inputs over the full common mode range (0 Vdc to V_{CC} - 1.5 Vdc).
 9. The bias current flows out of the inputs due to the PNP input stage. This current is virtually constant, independent of the output state.



Figure 2. Inverting Comparator with Hysteresis



Figure 3. Noninverting Comparator with Hysteresis

Typical Characteristics

($V_{CC} = 15 \text{ Vdc}$, $T_A = +25^\circ\text{C}$ (each comparator) unless otherwise noted.)

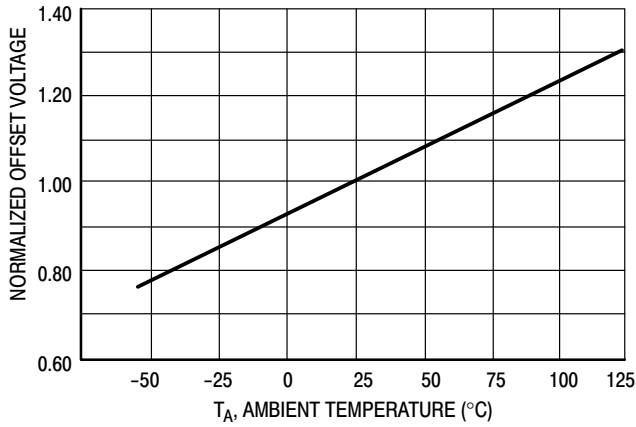


Figure 4. Normalized Input Offset Voltage

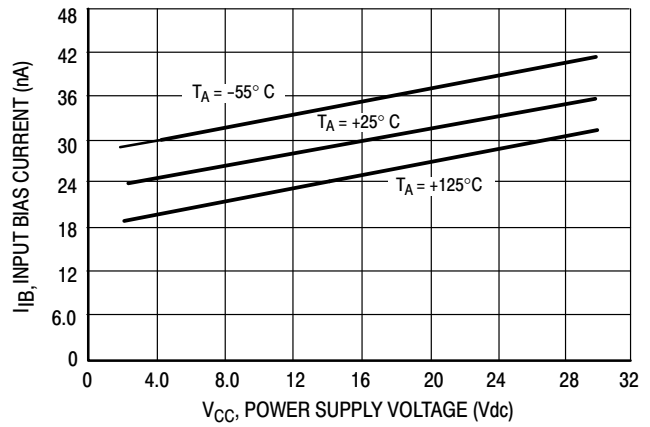


Figure 5. Input Bias Current

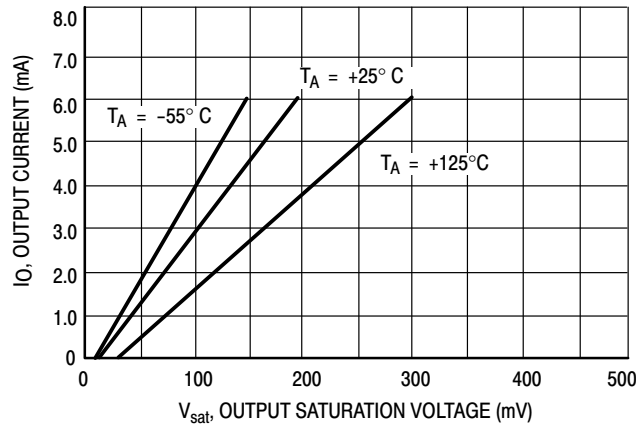
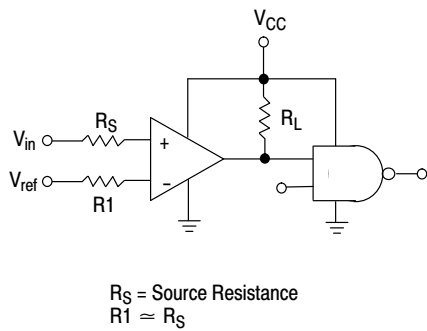


Figure 6. Output Sink Current versus Output Saturation Voltage



Logic	Device	V_{CC} (V)	R_L (k Ω)
CMOS	1/4 MC14001	+15	100
TTL	1/4 MC7400	+5.0	10

Figure 7. Driving Logic

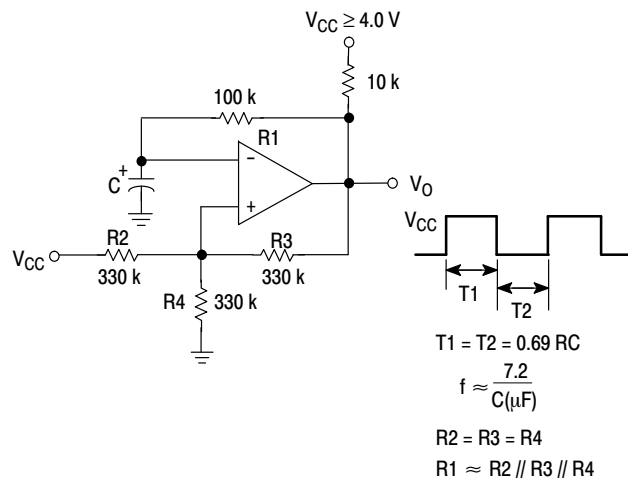


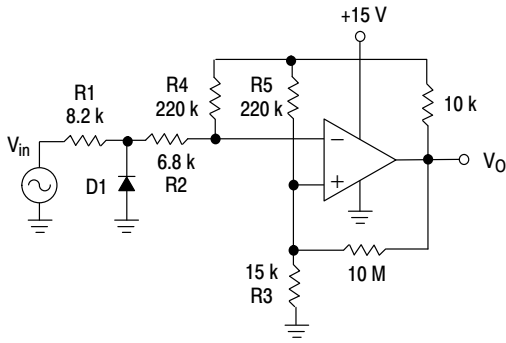
Figure 8. Squarewave Oscillator

APPLICATIONS INFORMATION

These quad comparators feature high gain, wide bandwidth characteristics. This gives the device oscillation tendencies if the outputs are capacitively coupled to the inputs via stray capacitance. This oscillation manifests itself during output transitions (V_{OL} to V_{OH}). To alleviate this situation input resistors $< 10\text{ k}\Omega$ should be used. The

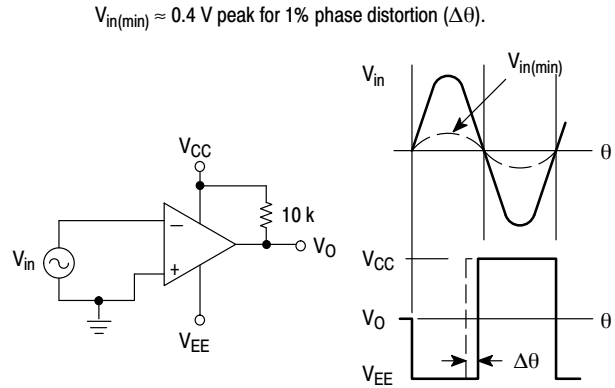
addition of positive feedback ($< 10\text{ mV}$) is also recommended. It is good design practice to ground all unused input pins.

Differential input voltages may be larger than supply voltages without damaging the comparator's inputs. Voltages more negative than -300 mV should not be used.



D1 prevents input from going negative by more than 0.6 V .
 $R1 + R2 = R3$
 $R3 \leq \frac{R5}{10}$ for small error in zero crossing

Figure 9. Zero Crossing Detector (Single Supply)



$V_{in(min)} \approx 0.4\text{ V}$ peak for 1% phase distortion ($\Delta\theta$).

Figure 10. Zero Crossing Detector (Split Supplies)

LM339, LM339E, LM239, LM2901, LM2901E, LM2901V, NCV2901, MC3302

ORDERING INFORMATION

Device	Package	Shipping [†]
LM239DG	SOIC-14 (Pb-Free)	55 Units/Tube
LM239DR2G	SOIC-14 (Pb-Free)	2500 / Tape & Reel
LM239DTBR2G	TSSOP-14 (Pb-Free)	2500 / Tape & Reel
LM239NG	PDIP-14 (Pb-Free)	25 Units/Rail
LM339DG	SOIC-14 (Pb-Free)	55 Units/Tube
LM339DR2G	SOIC-14 (Pb-Free)	2500 / Tape & Reel
LM339EDR2G	SOIC-14 (Pb-Free)	2500 / Tape & Reel
LM339DTBR2G	TSSOP-14 (Pb-Free)	2500 / Tape & Reel
LM339NG	PDIP-14 (Pb-Free)	25 Units/Rail
LM2901DG	SOIC-14 (Pb-Free)	55 Units/Rail
LM2901DR2G	SOIC-14 (Pb-Free)	2500 / Tape & Reel
LM2901EDR2G	SOIC-14 (Pb-Free)	2500 / Tape & Reel
LM2901DTBR2G	TSSOP-14 (Pb-Free)	2500 / Tape & Reel
LM2901NG	PDIP-14 (Pb-Free)	25 Units/Rail
LM2901VDG	SOIC-14 (Pb-Free)	55 Units/Tube
LM2901VDR2G	SOIC-14 (Pb-Free)	2500 / Tape & Reel
LM2901VDTBR2G	TSSOP-14 (Pb-Free)	2500 / Tape & Reel
LM2901VNG	PDIP-14 (Pb-Free)	25 Units/Rail
NCV2901DR2G*	SOIC-14 (Pb-Free)	2500 / Tape & Reel
NCV2901DTBR2G*	TSSOP-14 (Pb-Free)	2500 / Tape & Reel
NCV2901CTR*	Bare Die	6000 / Tape & Reel
MC3302DG	SOIC-14 (Pb-Free)	55 Units/Tube
MC3302DR2G	SOIC-14 (Pb-Free)	2500 / Tape & Reel
MC3302DTBR2G	TSSOP-14 (Pb-Free)	2500 / Tape & Reel
MC3302PG	PDIP-14 (Pb-Free)	25 Units/Rail

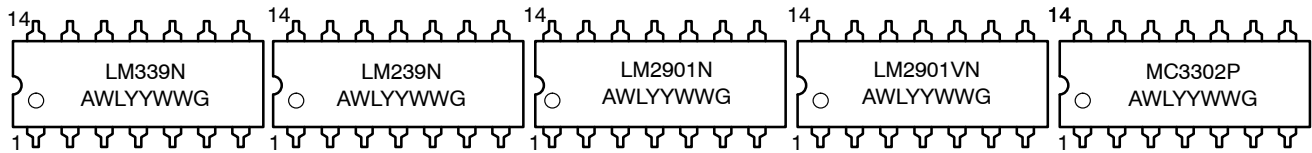
[†]For information on tape and reel specifications, including part orientation and tape sizes, please refer to our Tape and Reel Packaging Specifications Brochure, BRD8011/D.

*NCV Prefix for Automotive and Other Applications Requiring Unique Site and Control Change Requirements; AEC-Q100 Qualified and PPAP Capable.

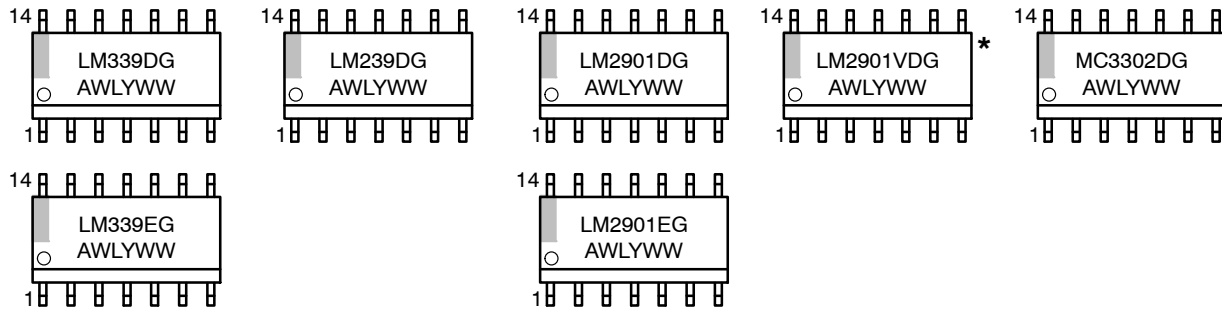
LM339, LM339E, LM239, LM2901, LM2901E, LM2901V, NCV2901, MC3302

MARKING DIAGRAMS

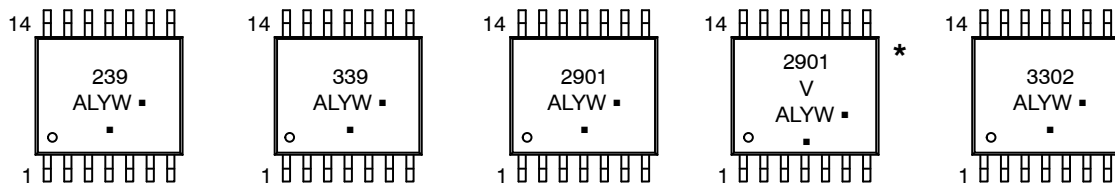
PDIP-14 N, P SUFFIX CASE 646



SOIC-14 D SUFFIX CASE 751A



TSSOP-14 DTB SUFFIX CASE 948G



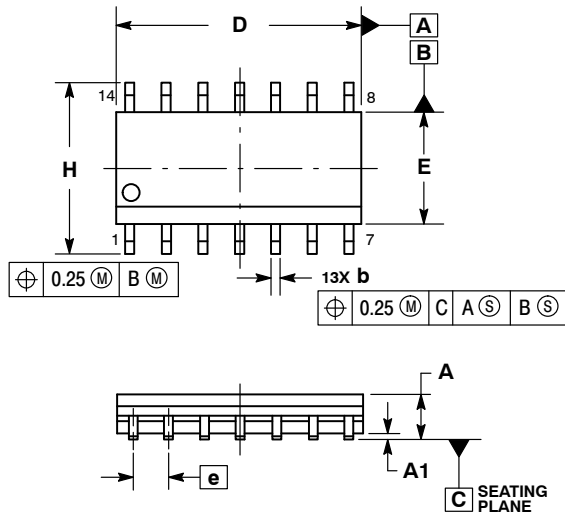
A = Assembly Location
 WL, L = Wafer Lot
 YY, Y = Year
 WW, W = Work Week
 G or ■ = Pb-Free Package

(Note: Microdot may be in either location)

*This marking diagram also applies to NCV2901.

PACKAGE DIMENSIONS

SOIC-14
CASE 751A-03
ISSUE K

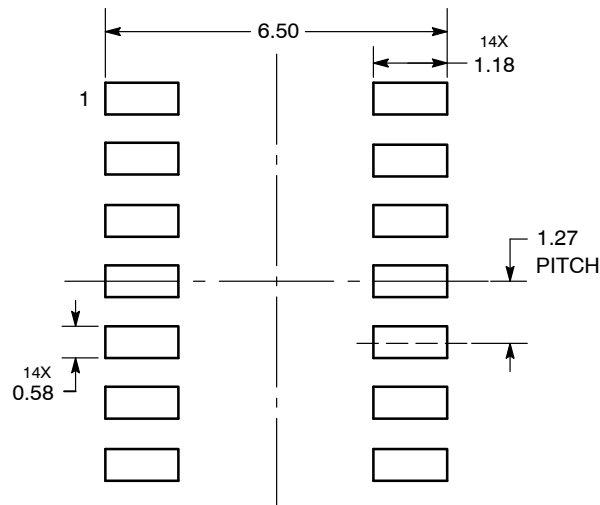


NOTES:

1. DIMENSIONING AND TOLERANCING PER ASME Y14.5M, 1994.
2. CONTROLLING DIMENSION: MILLIMETERS.
3. DIMENSION b DOES NOT INCLUDE DAMBAR PROTRUSION. ALLOWABLE PROTRUSION SHALL BE 0.13 TOTAL IN EXCESS OF AT MAXIMUM MATERIAL CONDITION.
4. DIMENSIONS D AND E DO NOT INCLUDE MOLD PROTRUSIONS.
5. MAXIMUM MOLD PROTRUSION 0.15 PER SIDE.

DIM	MILLIMETERS		INCHES	
	MIN	MAX	MIN	MAX
A	1.35	1.75	0.054	0.068
A1	0.10	0.25	0.004	0.010
A3	0.19	0.25	0.008	0.010
b	0.35	0.49	0.014	0.019
D	8.55	8.75	0.337	0.344
E	3.80	4.00	0.150	0.157
e	1.27 BSC		0.050 BSC	
H	5.80	6.20	0.228	0.244
h	0.25	0.50	0.010	0.019
L	0.40	1.25	0.016	0.049
M	0°	7°	0°	7°

SOLDERING FOOTPRINT*

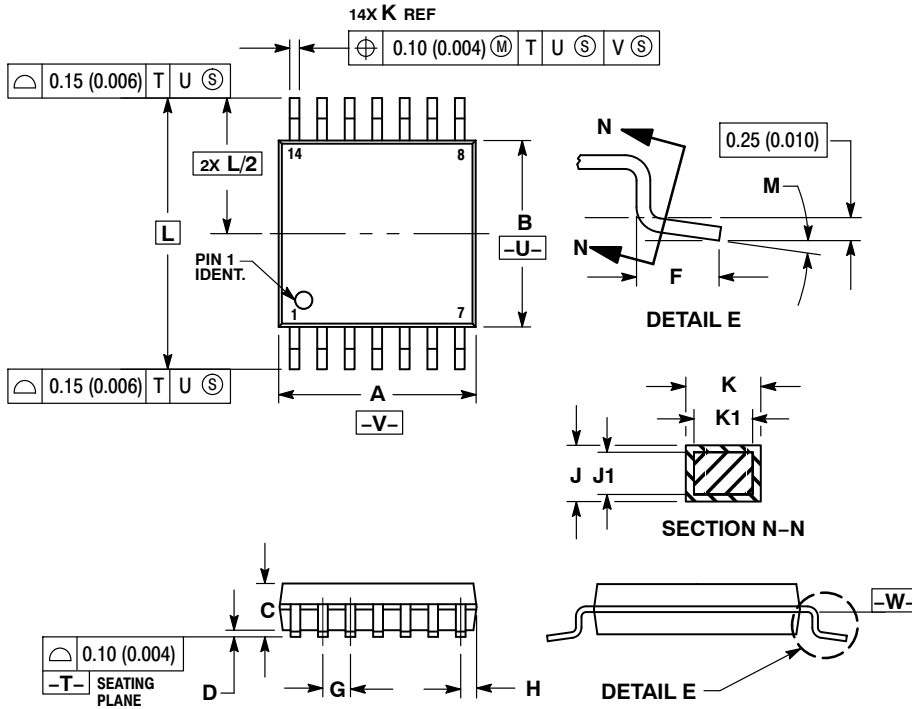


DIMENSIONS: MILLIMETERS

*For additional information on our Pb-Free strategy and soldering details, please download the ON Semiconductor Soldering and Mounting Techniques Reference Manual, SOLDERRM/D.

PACKAGE DIMENSIONS

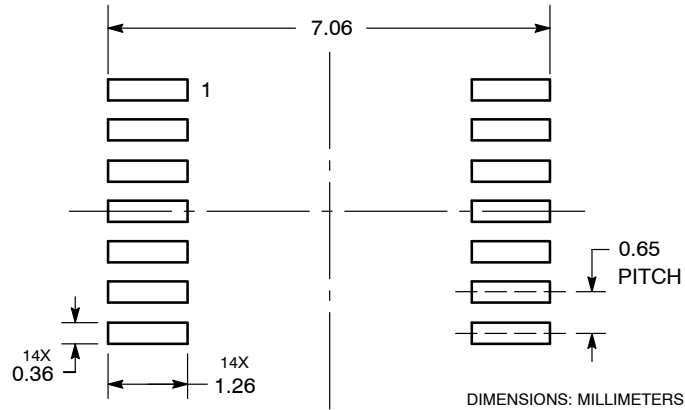
TSSOP-14
CASE 948G
ISSUE B



- NOTES:
1. DIMENSIONING AND TOLERANCING PER ANSI Y14.5M, 1982.
 2. CONTROLLING DIMENSION: MILLIMETER.
 3. DIMENSION A DOES NOT INCLUDE MOLD FLASH, PROTRUSIONS OR GATE BURRS. MOLD FLASH OR GATE BURRS SHALL NOT EXCEED 0.15 (0.006) PER SIDE.
 4. DIMENSION B DOES NOT INCLUDE INTERLEAD FLASH OR PROTRUSION. INTERLEAD FLASH OR PROTRUSION SHALL NOT EXCEED 0.25 (0.010) PER SIDE.
 5. DIMENSION K DOES NOT INCLUDE DAMBAR PROTRUSION. ALLOWABLE DAMBAR PROTRUSION SHALL BE 0.08 (0.003) TOTAL IN EXCESS OF THE K DIMENSION AT MAXIMUM MATERIAL CONDITION.
 6. TERMINAL NUMBERS ARE SHOWN FOR REFERENCE ONLY.
 7. DIMENSION A AND B ARE TO BE DETERMINED AT DATUM PLANE -W-.

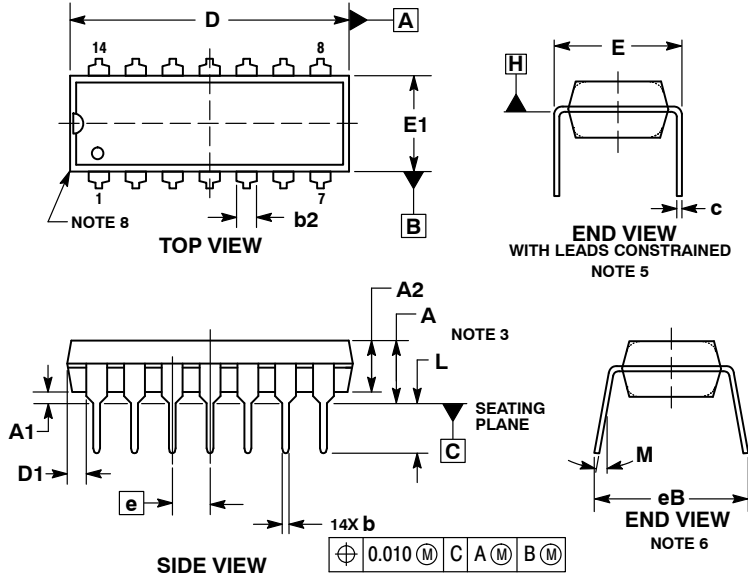
DIM	MILLIMETERS		INCHES	
	MIN	MAX	MIN	MAX
A	4.90	5.10	0.193	0.200
B	4.30	4.50	0.169	0.177
C	---	1.20	---	0.047
D	0.05	0.15	0.002	0.006
F	0.50	0.75	0.020	0.030
G	0.65 BSC		0.026 BSC	
H	0.50	0.60	0.020	0.024
J	0.09	0.20	0.004	0.008
J1	0.09	0.16	0.004	0.006
K	0.19	0.30	0.007	0.012
K1	0.19	0.25	0.007	0.010
L	6.40 BSC		0.252 BSC	
M	0°	8°	0°	8°

SOLDERING FOOTPRINT



PACKAGE DIMENSIONS

PDIP-14
CASE 646-06
ISSUE S



NOTES:

1. DIMENSIONING AND TOLERANCING PER ASME Y14.5M, 1994.
2. CONTROLLING DIMENSION: INCHES.
3. DIMENSIONS A, A1 AND L ARE MEASURED WITH THE PACKAGE SEATED IN JEDEC SEATING PLANE GAUGE GS-3.
4. DIMENSIONS D, D1 AND E1 DO NOT INCLUDE MOLD FLASH OR PROTRUSIONS. MOLD FLASH OR PROTRUSIONS ARE NOT TO EXCEED 0.10 INCH.
5. DIMENSION E IS MEASURED AT A POINT 0.015 BELOW DATUM PLANE H WITH THE LEADS CONSTRAINED PERPENDICULAR TO DATUM C.
6. DIMENSION eB IS MEASURED AT THE LEAD TIPS WITH THE LEADS UNCONSTRAINED.
7. DATUM PLANE H IS COINCIDENT WITH THE BOTTOM OF THE LEADS, WHERE THE LEADS EXIT THE BODY.
8. PACKAGE CONTOUR IS OPTIONAL (ROUNDED OR SQUARE CORNERS).

DIM	INCHES		MILLIMETERS	
	MIN	MAX	MIN	MAX
A	----	0.210	----	5.33
A1	0.015	----	0.38	----
A2	0.115	0.195	2.92	4.95
b	0.014	0.022	0.35	0.56
b2	0.060 TYP		1.52 TYP	
C	0.008	0.014	0.20	0.36
D	0.735	0.775	18.67	19.69
D1	0.005	----	0.13	----
E	0.300	0.325	7.62	8.26
E1	0.240	0.280	6.10	7.11
e	0.100 BSC		2.54 BSC	
eB	----	0.430	----	10.92
L	0.115	0.150	2.92	3.81
M	----	10°	----	10°

ON Semiconductor and are trademarks of Semiconductor Components Industries, LLC dba ON Semiconductor or its subsidiaries in the United States and/or other countries. ON Semiconductor owns the rights to a number of patents, trademarks, copyrights, trade secrets, and other intellectual property. A listing of ON Semiconductor's product/patent coverage may be accessed at www.onsemi.com/site/pdf/Patent-Marking.pdf. ON Semiconductor reserves the right to make changes without further notice to any products herein. ON Semiconductor makes no warranty, representation or guarantee regarding the suitability of its products for any particular purpose, nor does ON Semiconductor assume any liability arising out of the application or use of any product or circuit, and specifically disclaims any and all liability, including without limitation special, consequential or incidental damages. Buyer is responsible for its products and applications using ON Semiconductor products, including compliance with all laws, regulations and safety requirements or standards, regardless of any support or applications information provided by ON Semiconductor. "Typical" parameters which may be provided in ON Semiconductor data sheets and/or specifications can and do vary in different applications and actual performance may vary over time. All operating parameters, including "Typicals" must be validated for each customer application by customer's technical experts. ON Semiconductor does not convey any license under its patent rights nor the rights of others. ON Semiconductor products are not designed, intended, or authorized for use as a critical component in life support systems or any FDA Class 3 medical devices or medical devices with a same or similar classification in a foreign jurisdiction or any devices intended for implantation in the human body. Should Buyer purchase or use ON Semiconductor products for any such unintended or unauthorized application, Buyer shall indemnify and hold ON Semiconductor and its officers, employees, subsidiaries, affiliates, and distributors harmless against all claims, costs, damages, and expenses, and reasonable attorney fees arising out of, directly or indirectly, any claim of personal injury or death associated with such unintended or unauthorized use, even if such claim alleges that ON Semiconductor was negligent regarding the design or manufacture of the part. ON Semiconductor is an Equal Opportunity/Affirmative Action Employer. This literature is subject to all applicable copyright laws and is not for resale in any manner.

PUBLICATION ORDERING INFORMATION

LITERATURE FULFILLMENT:
Literature Distribution Center for ON Semiconductor
19521 E. 32nd Pkwy, Aurora, Colorado 80011 USA
Phone: 303-675-2175 or 800-344-3860 Toll Free USA/Canada
Fax: 303-675-2176 or 800-344-3867 Toll Free USA/Canada
Email: orderlit@onsemi.com

N. American Technical Support: 800-282-9855 Toll Free
USA/Canada
Europe, Middle East and Africa Technical Support:
Phone: 421 33 790 2910

ON Semiconductor Website: www.onsemi.com
Order Literature: <http://www.onsemi.com/orderlit>

For additional information, please contact your local Sales Representative

Mouser Electronics

Authorized Distributor

Click to View Pricing, Inventory, Delivery & Lifecycle Information:

ON Semiconductor:

[NCV2901DR2G](#) [LM239DG](#) [LM239DR2G](#) [LM239DTBR2G](#) [LM239NG](#) [LM2901DG](#) [LM2901DR2G](#) [LM2901DTBR2G](#)
[LM2901NG](#) [LM2901VDG](#) [LM2901VDR2G](#) [LM2901VDTBR2G](#) [LM2901VNG](#) [LM339D](#) [LM339DR2](#) [LM339DR2G](#)
[LM339DTBR2](#) [LM339DTBR2G](#) [LM339N](#) [LM339NG](#) [LM339DG](#) [MC3302DG](#) [MC3302DR2G](#) [MC3302DTBR2G](#)
[NCV2901DTBR2G](#) [LM339SNG](#) [SC339DR2G](#) [LM339EDR2G](#) [LM2901EDR2G](#)