

	1	2	3	4	5	6	7	8																																																																																
A	<div data-bbox="358 406 1769 1037" data-label="Complex-Block"> <h1 style="margin: 0;">TT 1.0</h1> <h2 style="margin: 0;">MV2 Build</h2> <p style="margin: 0; font-size: 24px; font-weight: bold;">2007/03/02</p> </div>																																																																																							
B																																																																																								
C																																																																																								
D																																																																																								
E																																																																																								
F	<table border="1" style="width: 100%; border-collapse: collapse;"> <tr> <td style="width: 33%;">DATE</td> <td style="width: 33%;">CHANGE NO.</td> <td style="width: 33%;">REV</td> </tr> <tr> <td> </td> <td> </td> <td> </td> </tr> <tr> <td> </td> <td> </td> <td> </td> </tr> <tr> <td> </td> <td> </td> <td> </td> </tr> <tr> <td> </td> <td> </td> <td> </td> </tr> <tr> <td> </td> <td> </td> <td> </td> </tr> <tr> <td> </td> <td> </td> <td> </td> </tr> <tr> <td> </td> <td> </td> <td> </td> </tr> <tr> <td> </td> <td> </td> <td> </td> </tr> <tr> <td> </td> <td> </td> <td> </td> </tr> </table>	DATE	CHANGE NO.	REV																												<table border="1" style="width: 100%; border-collapse: collapse;"> <tr> <td style="width: 25%;">DRAWER</td> <td style="width: 25%;">EE</td> <td style="width: 25%;">DATE</td> <td style="width: 25%;">POWER</td> <td style="width: 25%;">DATE</td> </tr> <tr> <td>DESIGN</td> <td> </td> <td> </td> <td> </td> <td> </td> </tr> <tr> <td>CHECK</td> <td> </td> <td> </td> <td> </td> <td> </td> </tr> <tr> <td>RESPONSIBLE</td> <td> </td> <td> </td> <td> </td> <td> </td> </tr> <tr> <td>SIZE =</td> <td>3</td> <td>VER :</td> <td> </td> <td> </td> </tr> <tr> <td>FILE NAME :</td> <td colspan="4">XXXX-XXXXXX-XX</td> </tr> <tr> <td>P/N</td> <td colspan="4">XXXXXXXXXXXX</td> </tr> </table>	DRAWER	EE	DATE	POWER	DATE	DESIGN					CHECK					RESPONSIBLE					SIZE =	3	VER :			FILE NAME :	XXXX-XXXXXX-XX				P/N	XXXXXXXXXXXX				<table border="1" style="width: 100%; border-collapse: collapse;"> <tr> <td colspan="4" style="text-align: center;">INVENTEC</td> </tr> <tr> <td colspan="4" style="text-align: center;">TITLE <i>TT1.0</i> For WWAN Solution</td> </tr> <tr> <td>SIZE</td> <td>CODE</td> <td>DOC. NUMBER</td> <td>REV</td> </tr> <tr> <td>A3</td> <td>CS</td> <td>1310A21421-0</td> <td>A02</td> </tr> <tr> <td colspan="2">SHEET</td> <td>1</td> <td>OF 61</td> </tr> </table>	INVENTEC				TITLE <i>TT1.0</i> For WWAN Solution				SIZE	CODE	DOC. NUMBER	REV	A3	CS	1310A21421-0	A02	SHEET		1	OF 61
DATE	CHANGE NO.	REV																																																																																						
DRAWER	EE	DATE	POWER	DATE																																																																																				
DESIGN																																																																																								
CHECK																																																																																								
RESPONSIBLE																																																																																								
SIZE =	3	VER :																																																																																						
FILE NAME :	XXXX-XXXXXX-XX																																																																																							
P/N	XXXXXXXXXXXX																																																																																							
INVENTEC																																																																																								
TITLE <i>TT1.0</i> For WWAN Solution																																																																																								
SIZE	CODE	DOC. NUMBER	REV																																																																																					
A3	CS	1310A21421-0	A02																																																																																					
SHEET		1	OF 61																																																																																					
	1	2	3	4	5	6	7	8																																																																																

Datasheet Live

Table Of Content

PAGE	PAGE	PAGE
5- DC& Battery Charger	30- SB600-1	55- Finger Print board
6- Selector & Battery CONN	31- SB600-2	56- BLANK
7- +V5A, +V3A & +V1.8S	32- SB600-3	57- ODD extension board
8- OCP	33- SB600-4	58- SW/B connector
9- +VCC_NB & V1.2S	34- KBC	59- SIM board
10- +VCC_CORE	35- SPI & Accelerometer	60- 5 in 1 Second source
11- DDR2 POWER	36- INT. KBC/Touch Pad Devices	61- 5 in 1 Second source (New)
12- Power(Sleep)	37- Super I/O	
13- Power(Sequence)	38- TPM V1.2	
14- Clock Generator	39- HDD CONN (SATA)	
15- AMD CPU-1	40- Fixed ODD CONN (PATA)	
16- AMD CPU-2	41- USB CONN	
17- AMD CPU-3	42- CB/D CONN	
18- AMD CPU-4	43- BLANK	
19- Thermal & Fan Controller	44- 5 IN 1 CONN	
20- RS690T -1	45- MiniCard	
21- RS690T -2	46- LAN Interface	
22- RS690T -3	47- LAN RJ45 CONN	
23- RS690T -4	48- Docking CONN	
24- DDR2-DIMM0	49- Screw	
25- DDR2-DIMM1	50- Finger Print DB	
26- DDR2-DAMPING	51- BlueTooth	
27- VIDEO MEMORY	52- Power/LID Switch & LED	
28- CRT& S-Vedio CONN	53- 5 in 1 Main source	
29- LCD CONN	54- 5 in 1 Main source (Northstar)	

INVENTEC

TITLE *TT1.0*

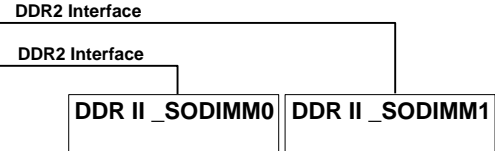
SIZE	CODE	DOC. NUMBER	REV
A3	CS	1310A21421-0	A02

CHANGE by *Jimmy song* 2-Mar-2007

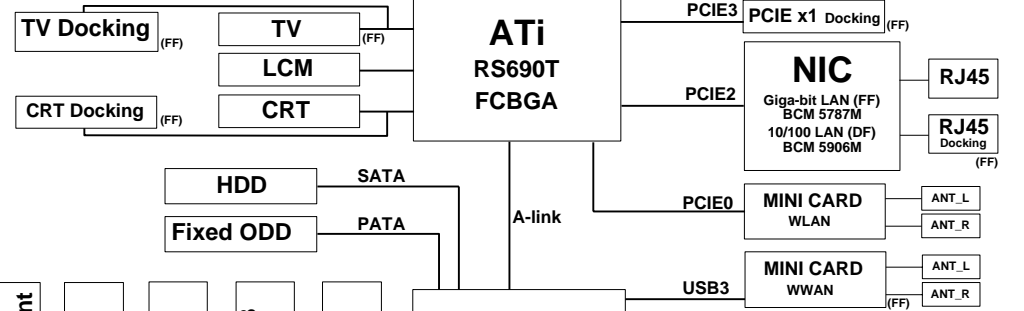
SHEET 2 OF 61

Inventec Confidential

AMD
Turion / Sempron
638 OuPGA



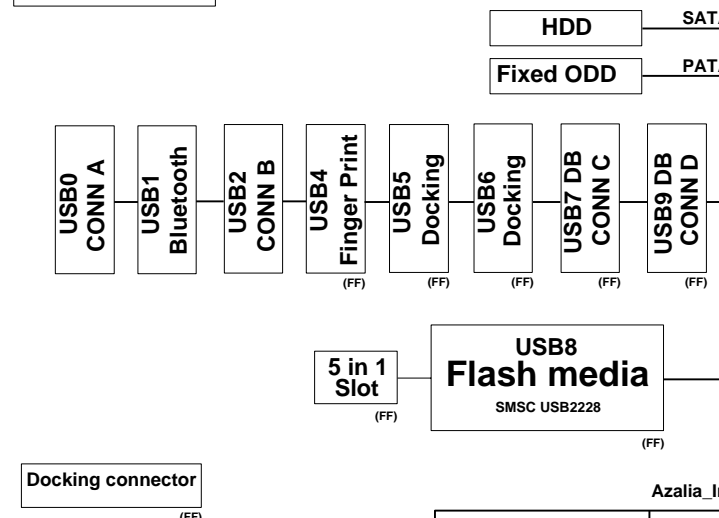
ATi
RS690T
FCBGA



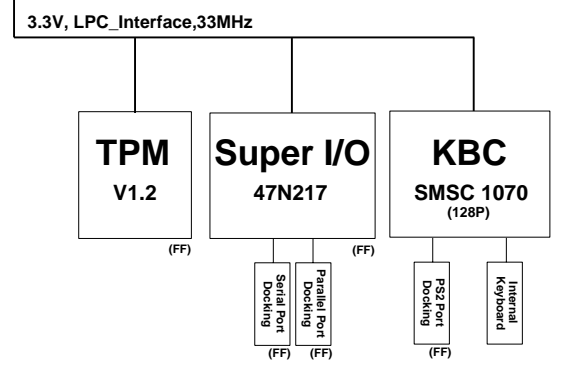
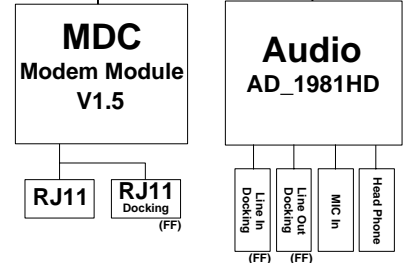
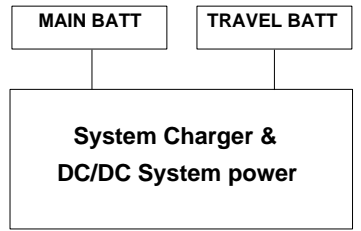
ATi
SB600
549 FCBGA

CLK GEN
ICS951418

Thermal Sensor

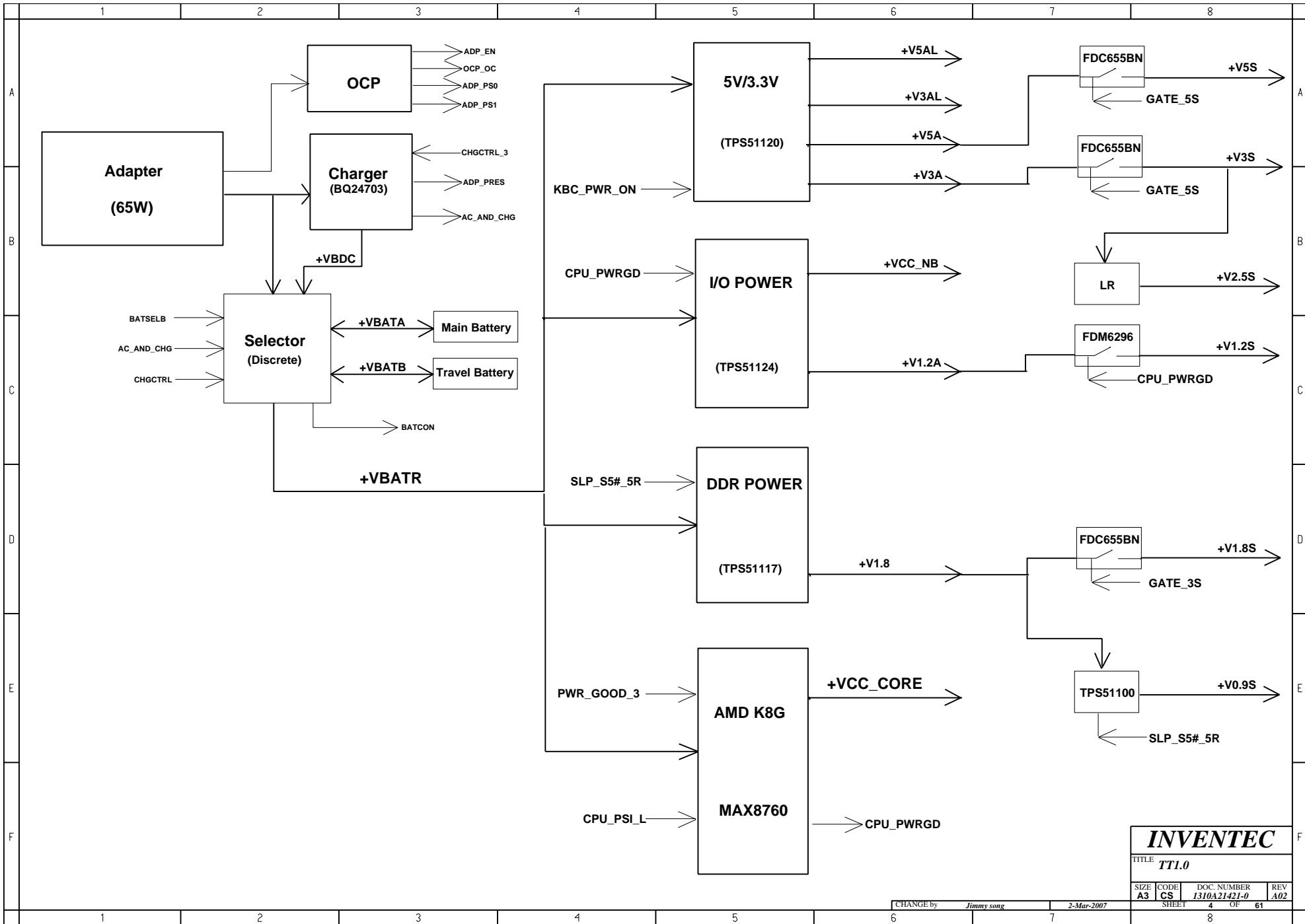


Docking connector (FF)



DF: De-Featured
FF: Full-Featured

INVENTEC			
TITLE T11.0 Block Diagram			
SIZE A3	CODE CS	DOC. NUMBER 1310A21421-0	REV A02
CHANGE by <i>Jimmy song</i>		2-Mar-2007	
SHEET 3		OF 61	



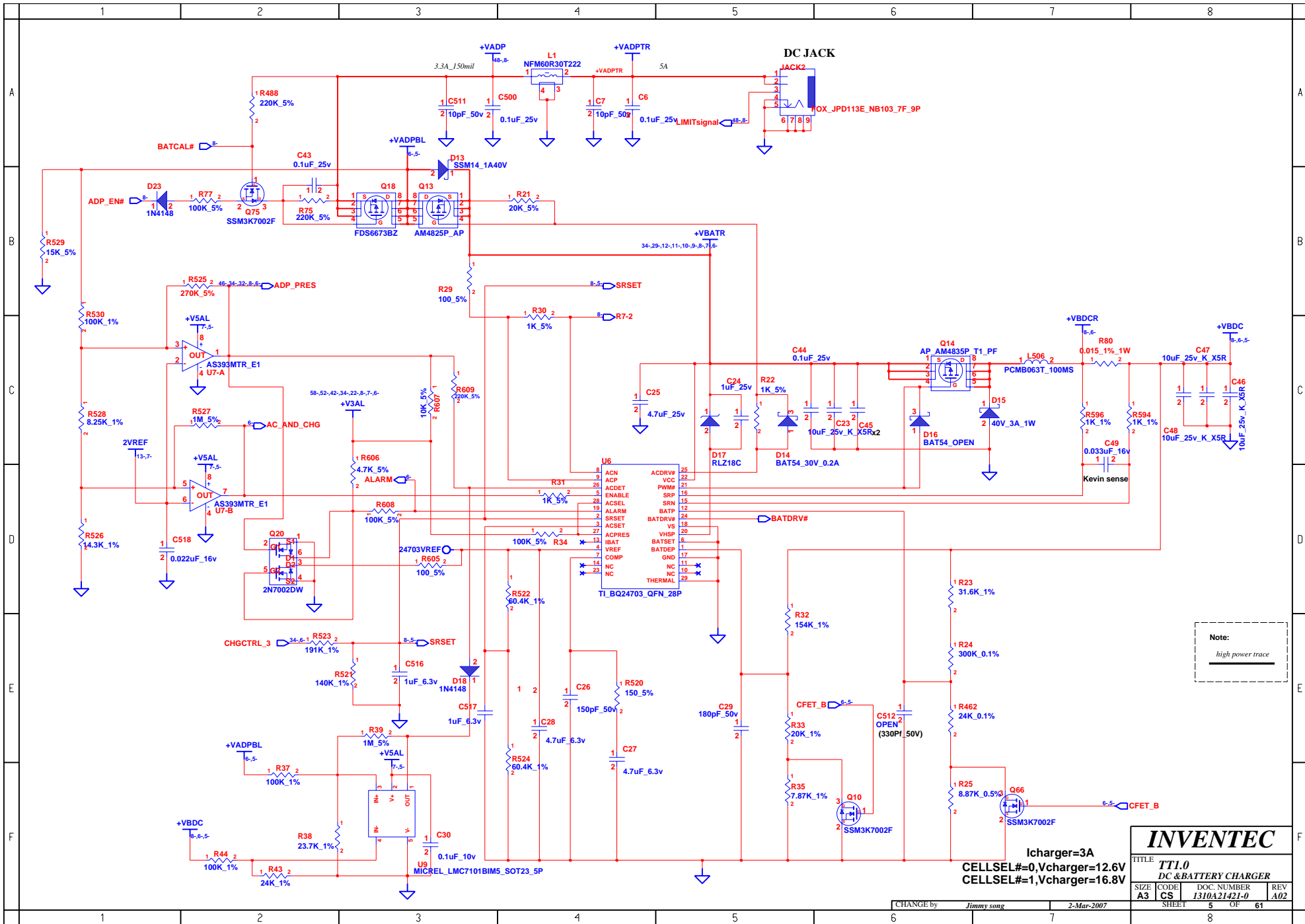
INVENTEC

TITLE
TT1.0

SIZE	CODE	DOC. NUMBER	REV
A3	CS	1310A21421-0	A02

CHANGE by Jimmy song 2-Mar-2007

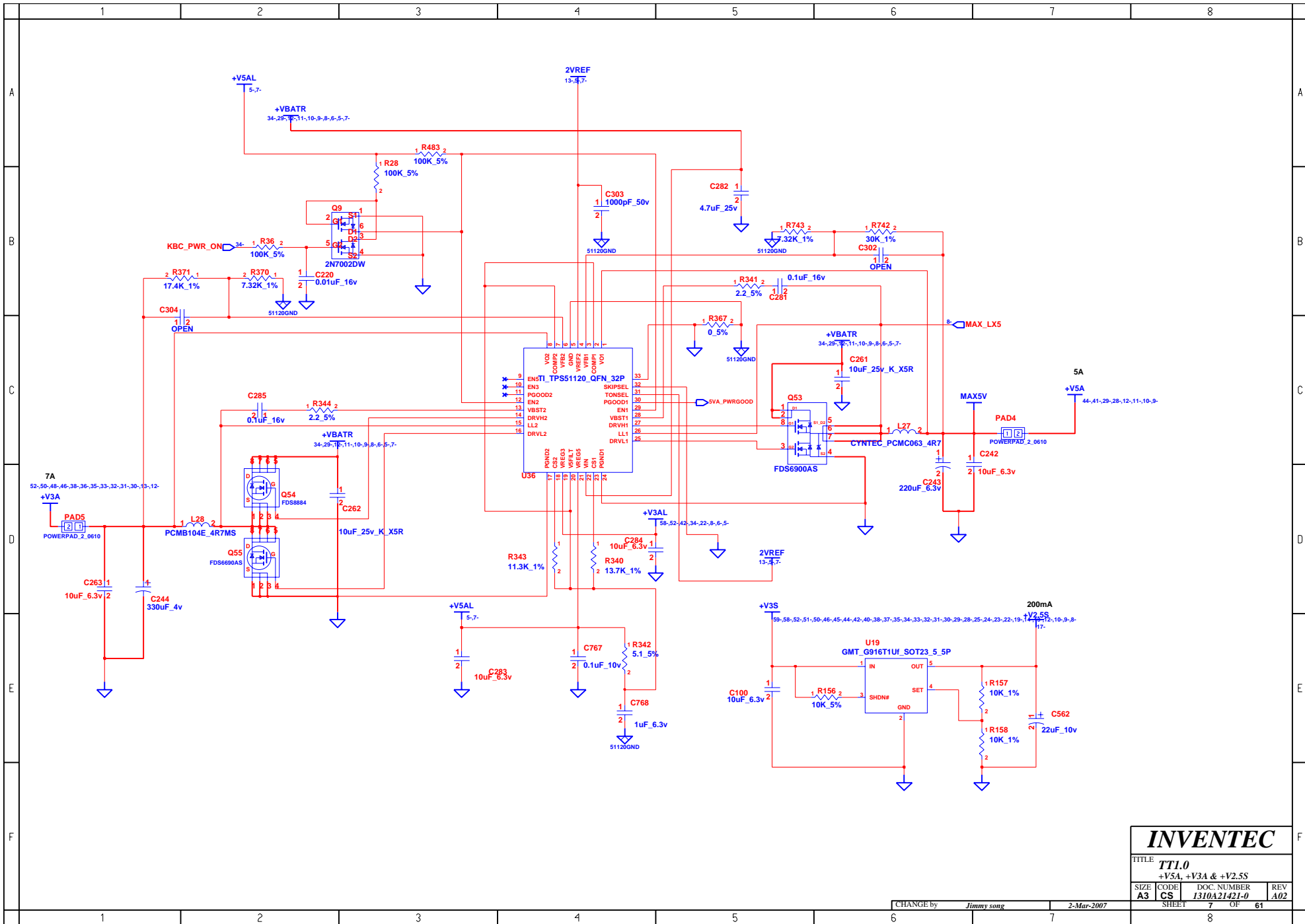
SHEET 4 OF 61



Note:
high power trace

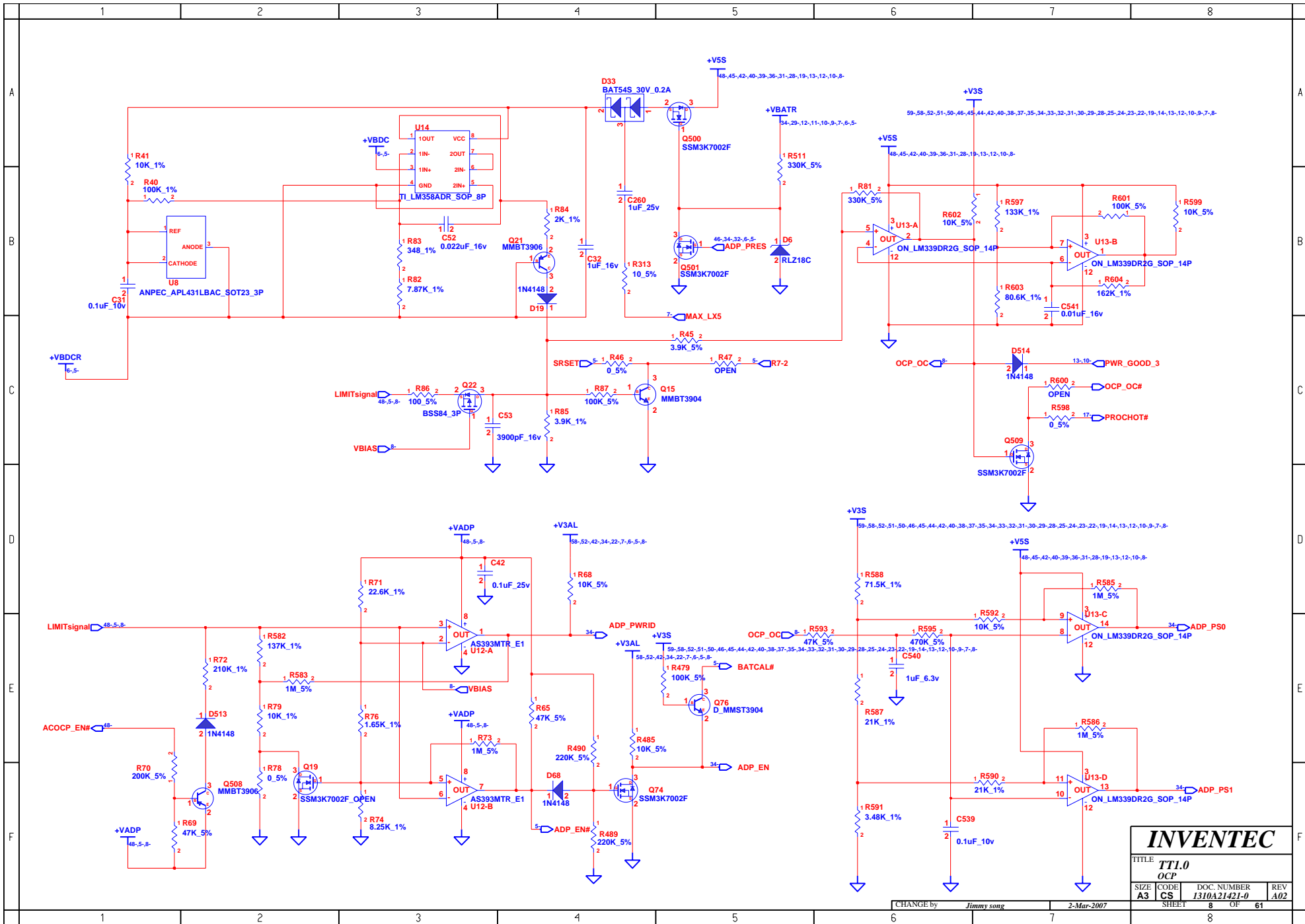
Icharger=3A
CELLSEL#=0,Vcharger=12.6V
CELLSEL#=1,Vcharger=16.8V

INVENTEC			
TITLE TT1.0			
DC & BATTERY CHARGER			
SIZE A3	CODE CS	DOC NUMBER 1310A21421-0	REV A02
CHANGE by Jimmy song		2-Mar-2007	
SHEET 5		OF 61	



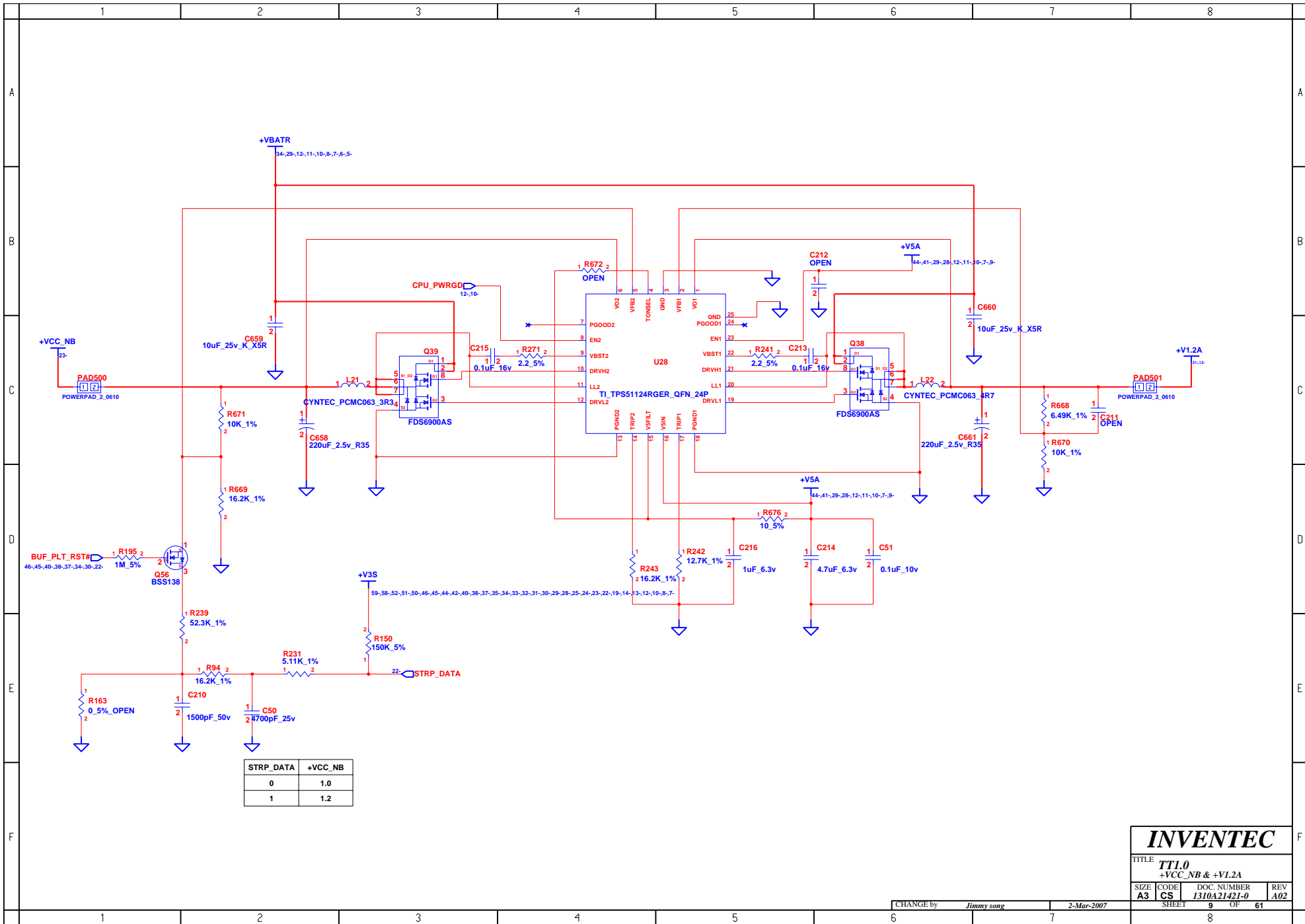
INVENTEC

TITLE			
TTL0			
+V5A, +V3A & +V2.5S			
SIZE	CODE	DOC. NUMBER	REV
A3	CS	I310A21421-0	A02



INVENTEC

TITLE			
TTI.0			
OCP			
SIZE	CODE	DOC. NUMBER	REV
A3	CS	1310A21421-0	A02



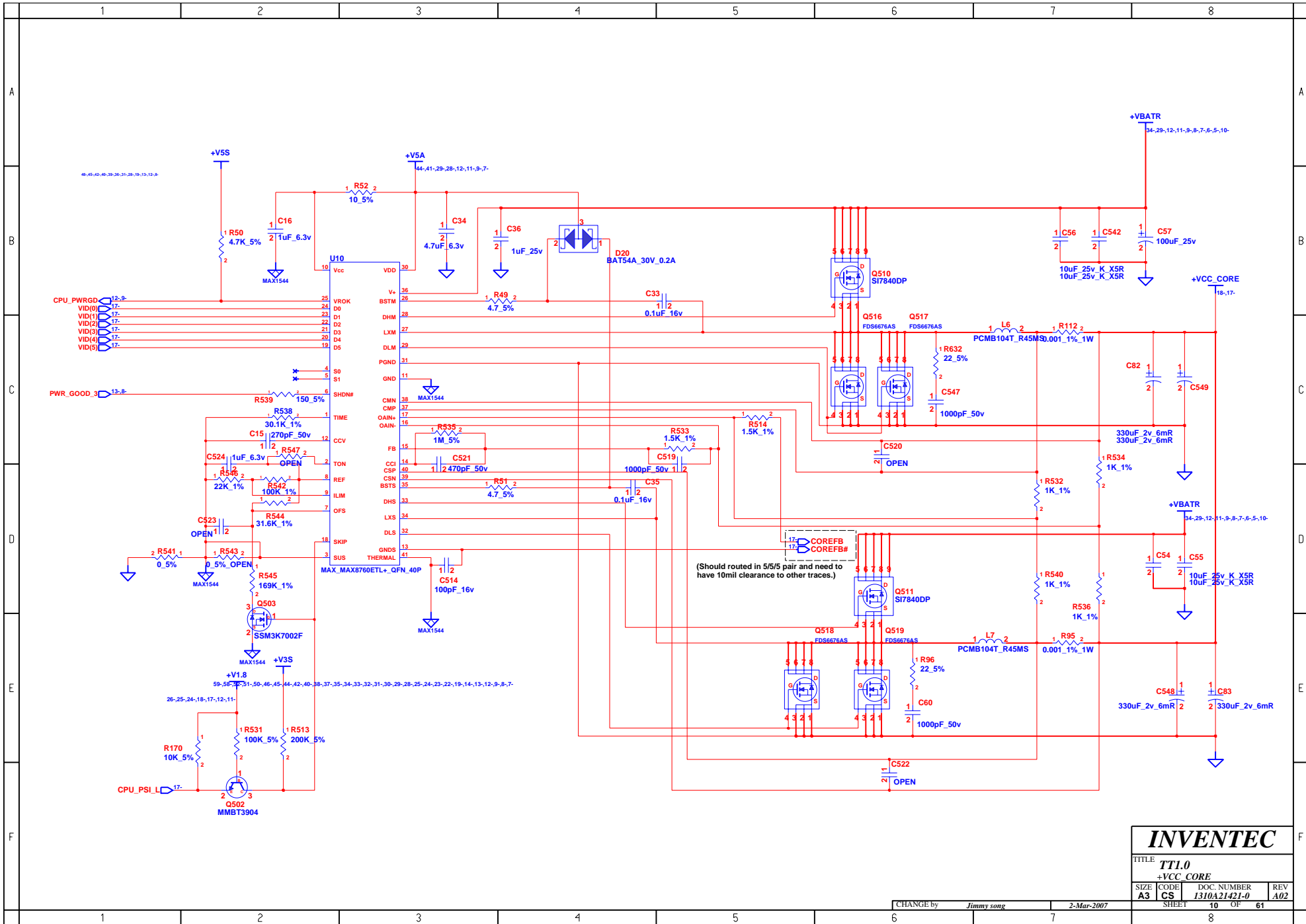
STRP_DATA	+VCC_NB
0	1.0
1	1.2

INVENTEC

TITLE TTL0 +VCC_NB & +V1.2A		
SIZE A3	CODE CS	DOC. NUMBER I310A21421-0
SHEET 9		REV A02

CHANGE by *Jimmy song* 2-Mar-2007

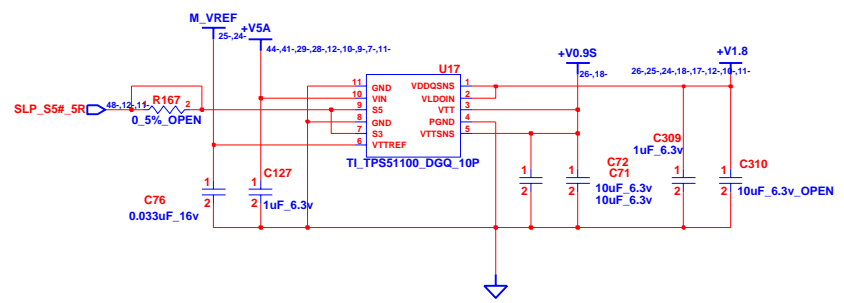
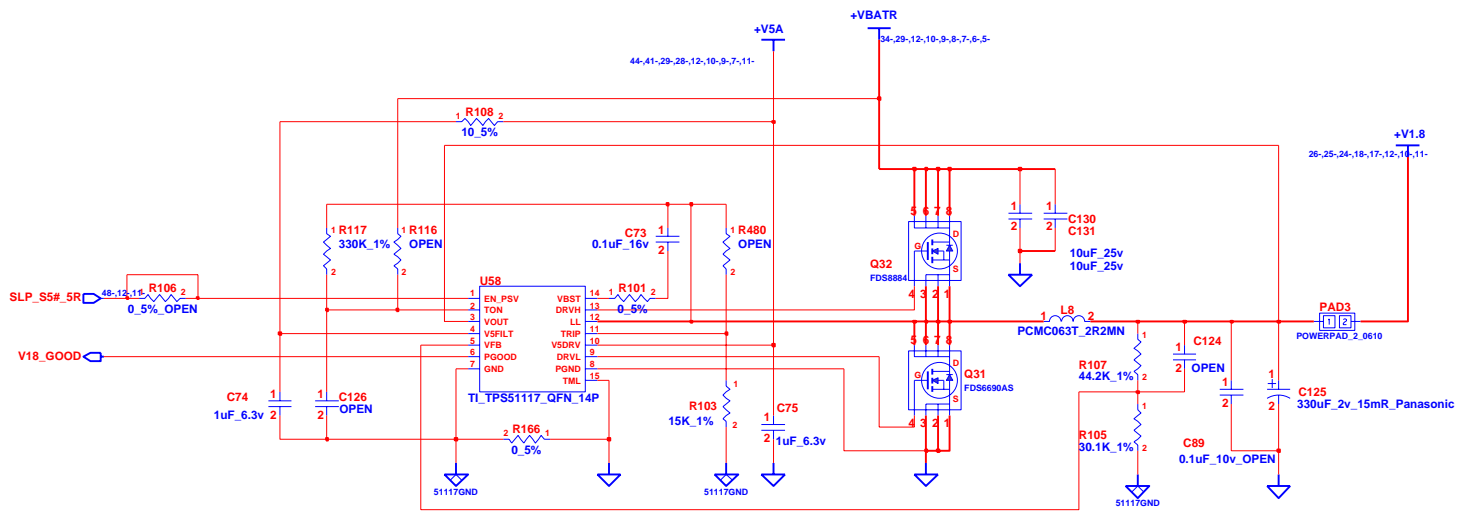
OF 61



INVENTEC

TITLE			
TTL0			
+VCC CORE			
SIZE	CODE	DOC. NUMBER	REV
A3	CS	I310A21421-0	A02

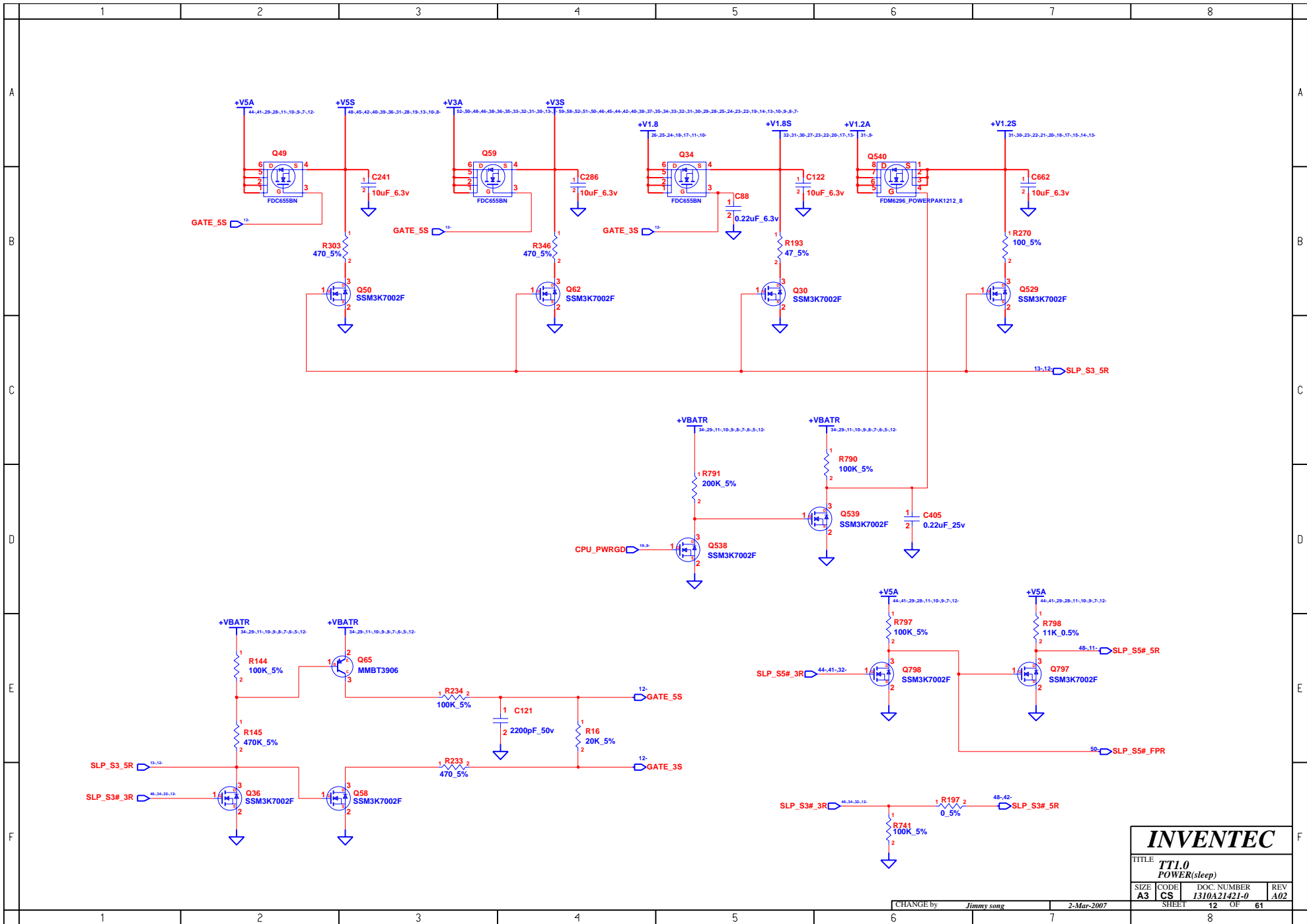
CHANGE by	Jimmy song	2-Mar-2007	SHEET	10	OF	61
-----------	------------	------------	-------	----	----	----



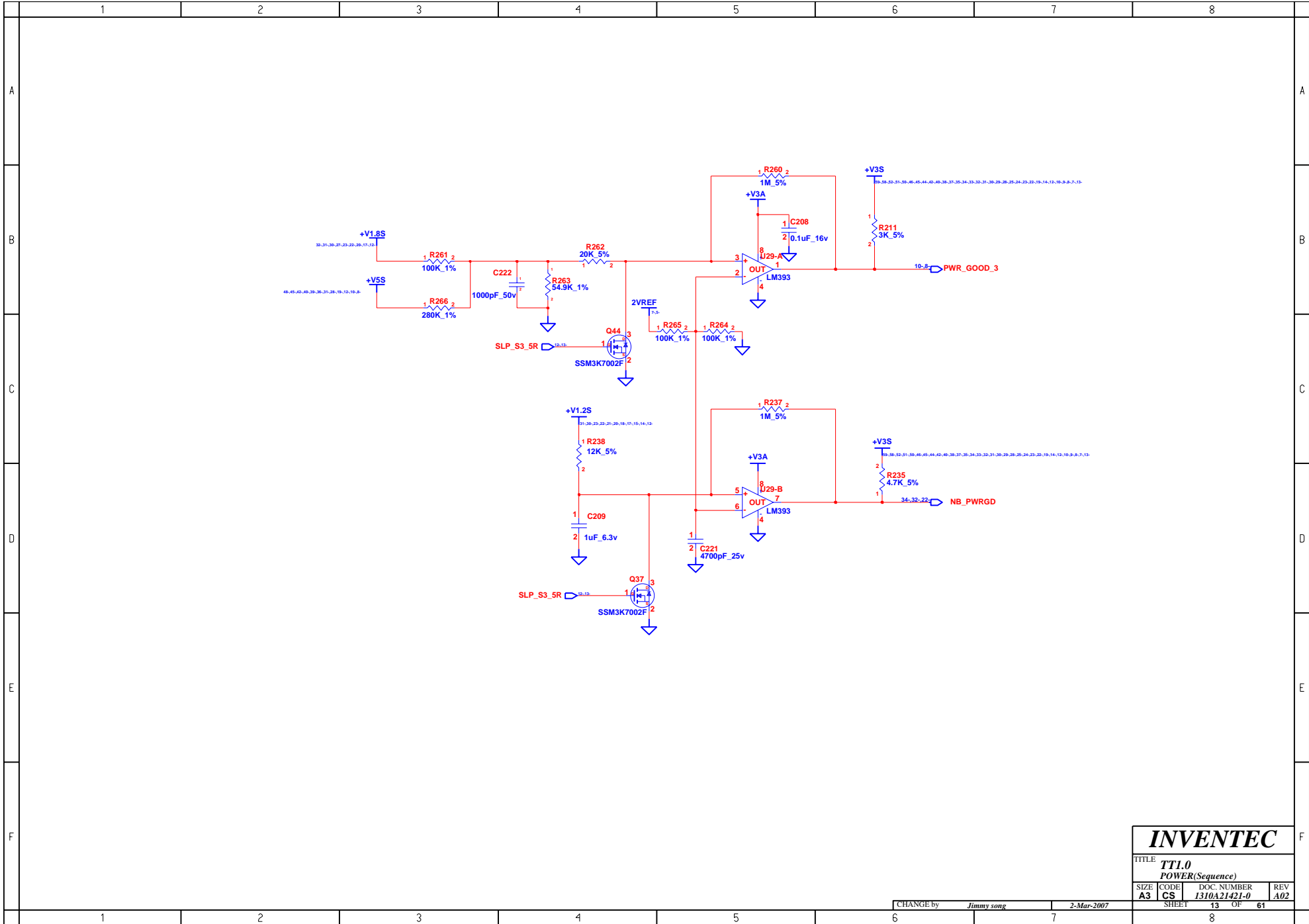
NOTE: DDR2 REGULATOR

INVENTEC

TITLE			
TT1.0			
DDR2 POWER			
SIZE	CODE	DOC. NUMBER	REV
A3	CS	I310A21421-0	A02
CHANGE by		SHEET	
Jimmy song		11 OF 61	



INVENTEC			
TITLE TTL0 POWER(sleep)			
SIZE	CODE	DOC. NUMBER	REV
A3	CS	I310A21421-0	A02
CHANGE by		SHEET	
Jimmy song		12 OF 61	
2-Mar-2007			



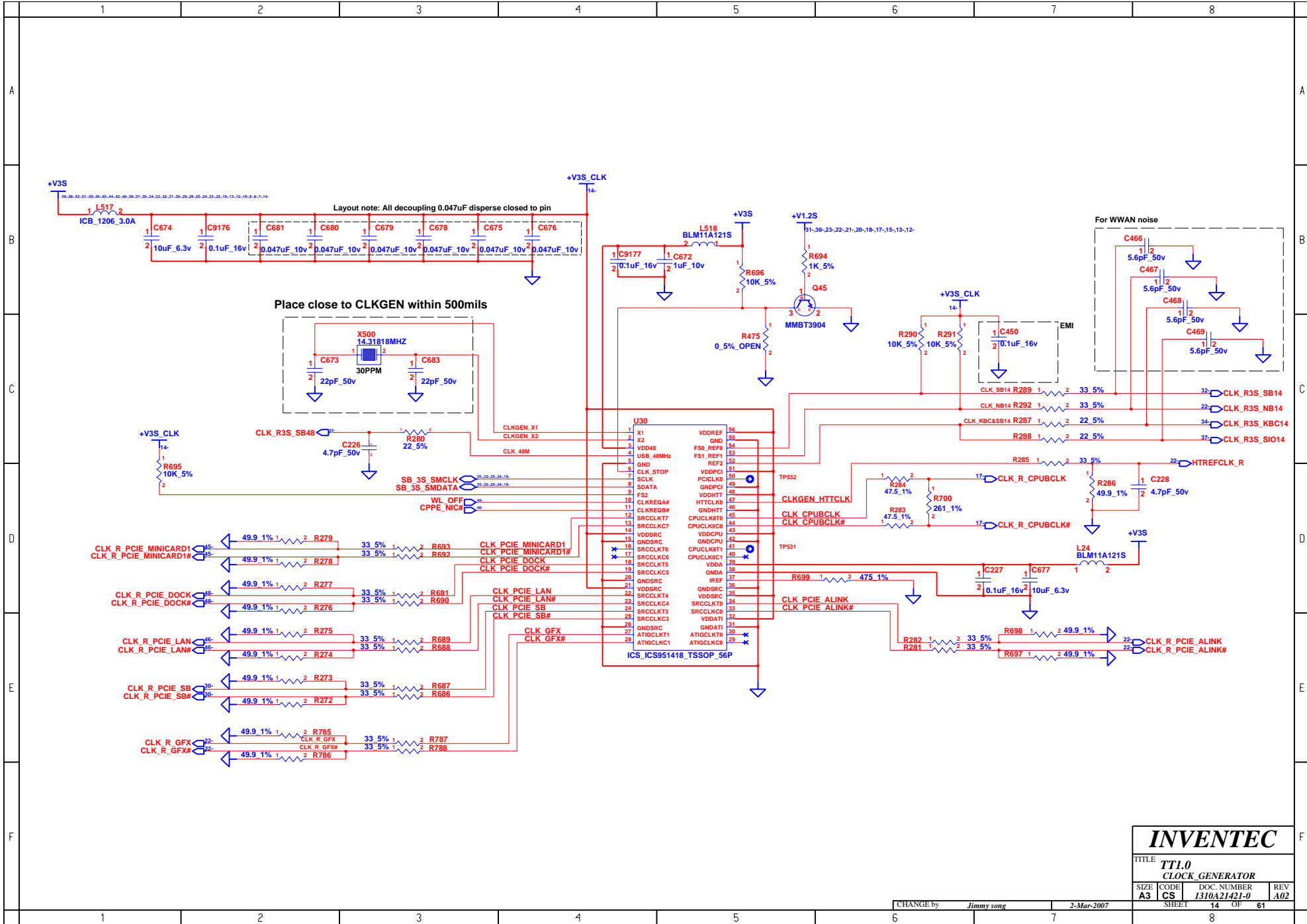
INVENTEC

TITLE **TTI.0**
POWER(Sequence)

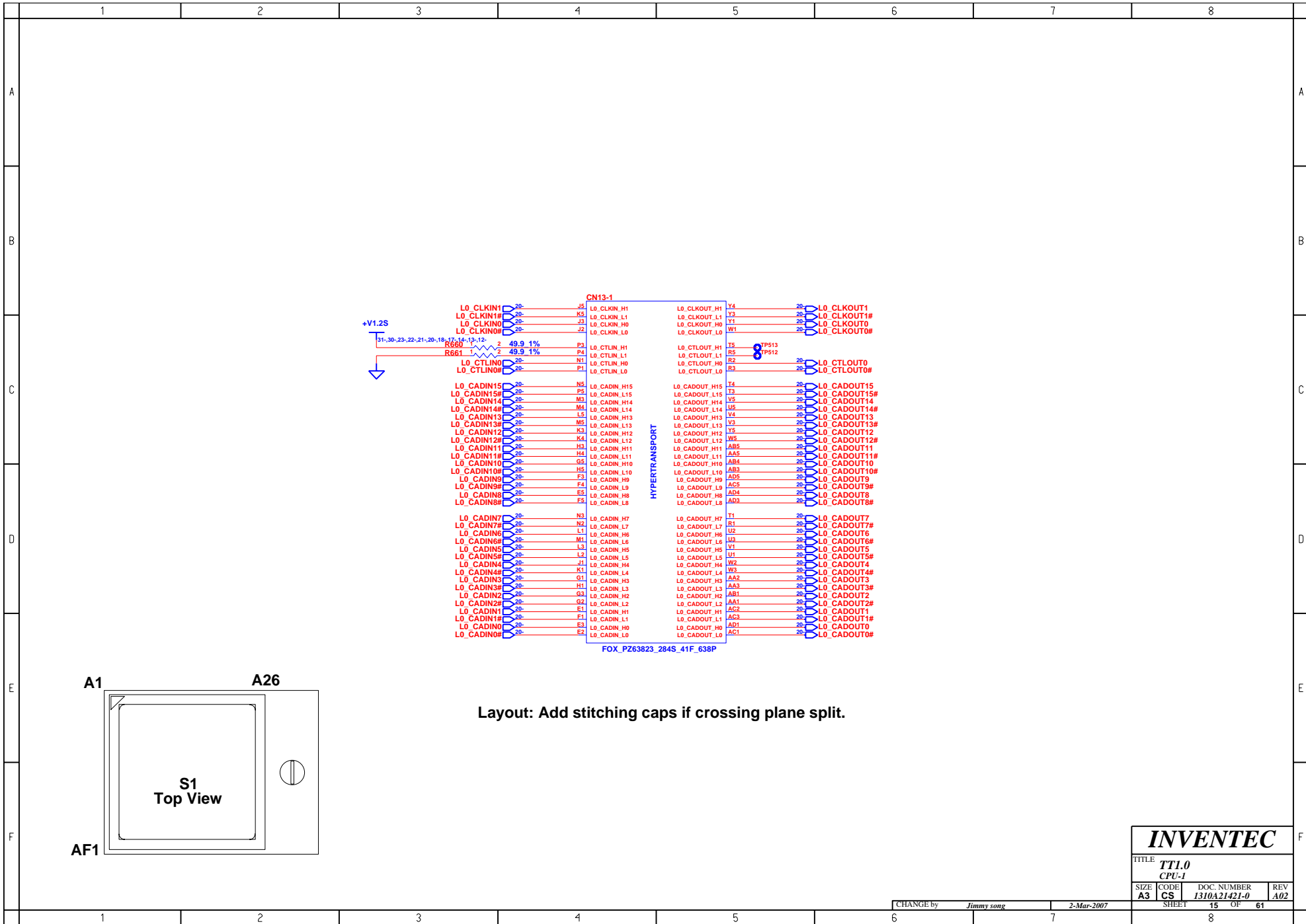
SIZE A3	CODE CS	DOC. NUMBER 1310A21421-0	REV A02
----------------	----------------	---------------------------------	----------------

CHANGE by *Jimmy song* 2-Mar-2007

SHEET 13 OF 61



INVENTEC			
TITLE TT1.0 CLOCK_GENERATOR			
SIZE A3	CODE CS	DOC. NUMBER I310A21421-0	REV A02
CHANGE by <i>Jimmy song</i>		2-Mar-2007	
SHEET 14		OF 61	



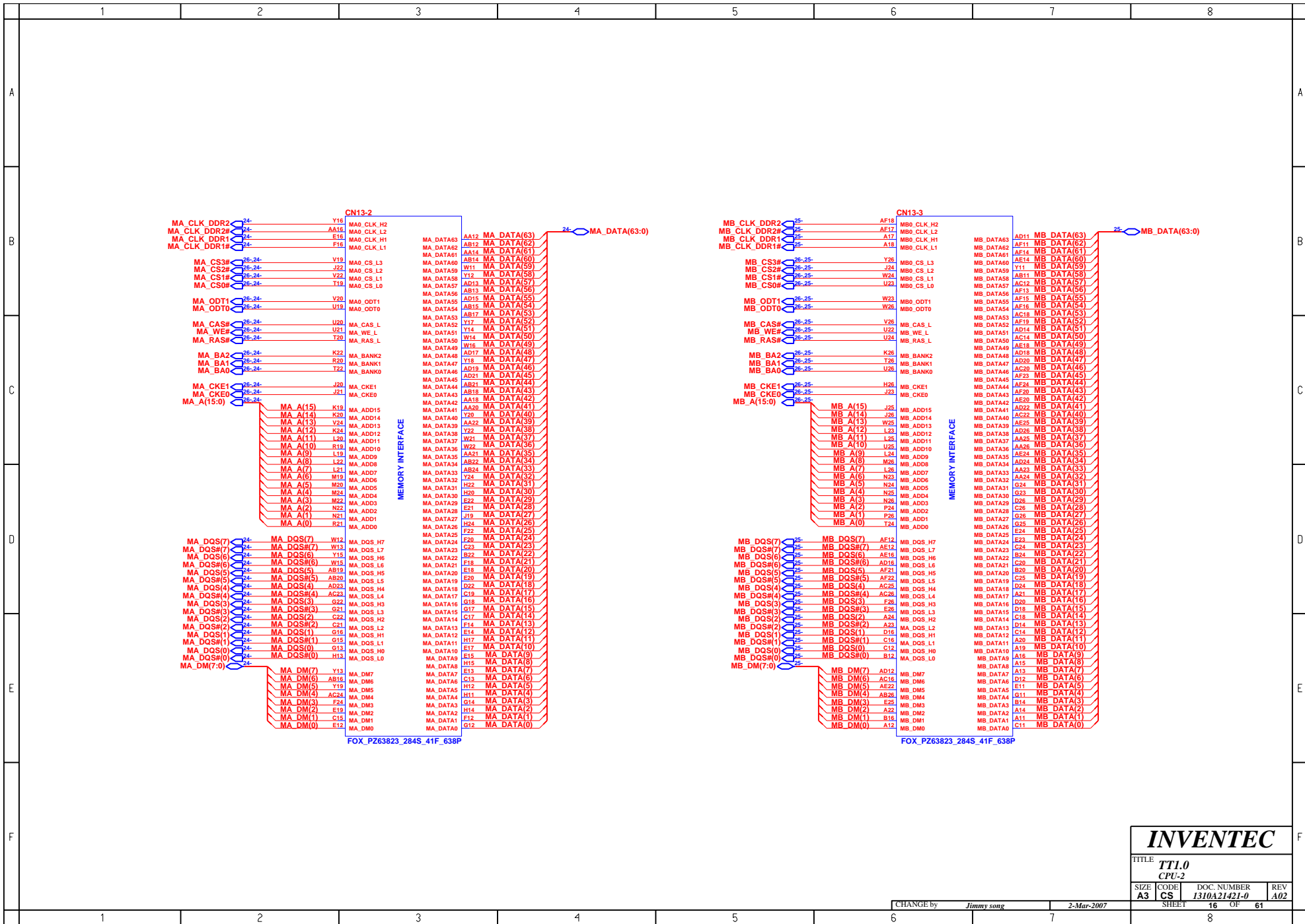
Layout: Add stitching caps if crossing plane split.

INVENTEC

TITLE TTL0 CPU-1			
SIZE A3	CODE CS	DOC. NUMBER 1310A21421-0	REV A02
CHANGE by <i>Jimmy song</i>		2-Mar-2007	
SHEET 15		OF 61	

CHANGE by Jimmy song 2-Mar-2007

SHEET 15 OF 61



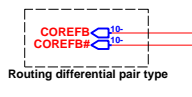
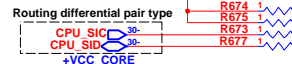
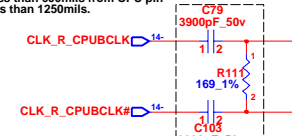
FOX_PZ63823_284S_41F_638P

FOX_PZ63823_284S_41F_638P

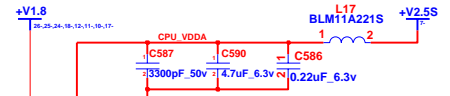
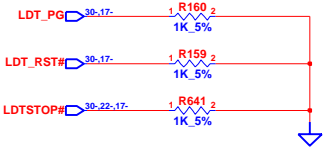
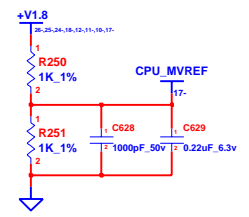
INVENTEC

TITLE			
TTI.0			
CPU-2			
SIZE	CODE	DOC. NUMBER	REV
A3	CS	1310A21421-0	A02
CHANGE by Jimmy song			2-Mar-2007
SHEET 16			OF 61

Keep trace to resistor less than 600mils from CPU pin and trace to AC caps less than 1250mils.



To put pull high resistors near switching power source



Required for compatibility with future processors.



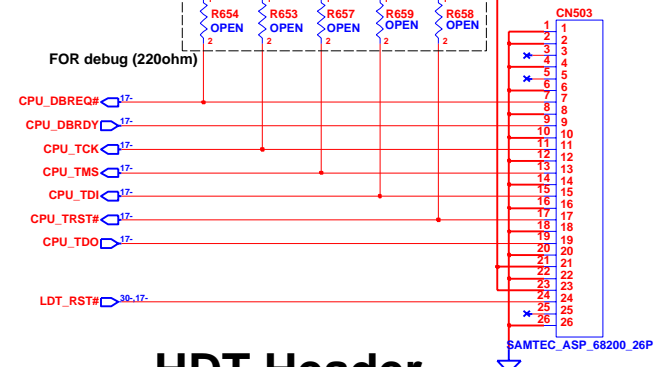
Keep trace to resistors less than 1" from CPU pin.

Keep trace to resistors less than 1" FROM CPU PIN.

Keep trace to resistors less than 1" from CPU pin.

Route as 80 ohm differential impedance.

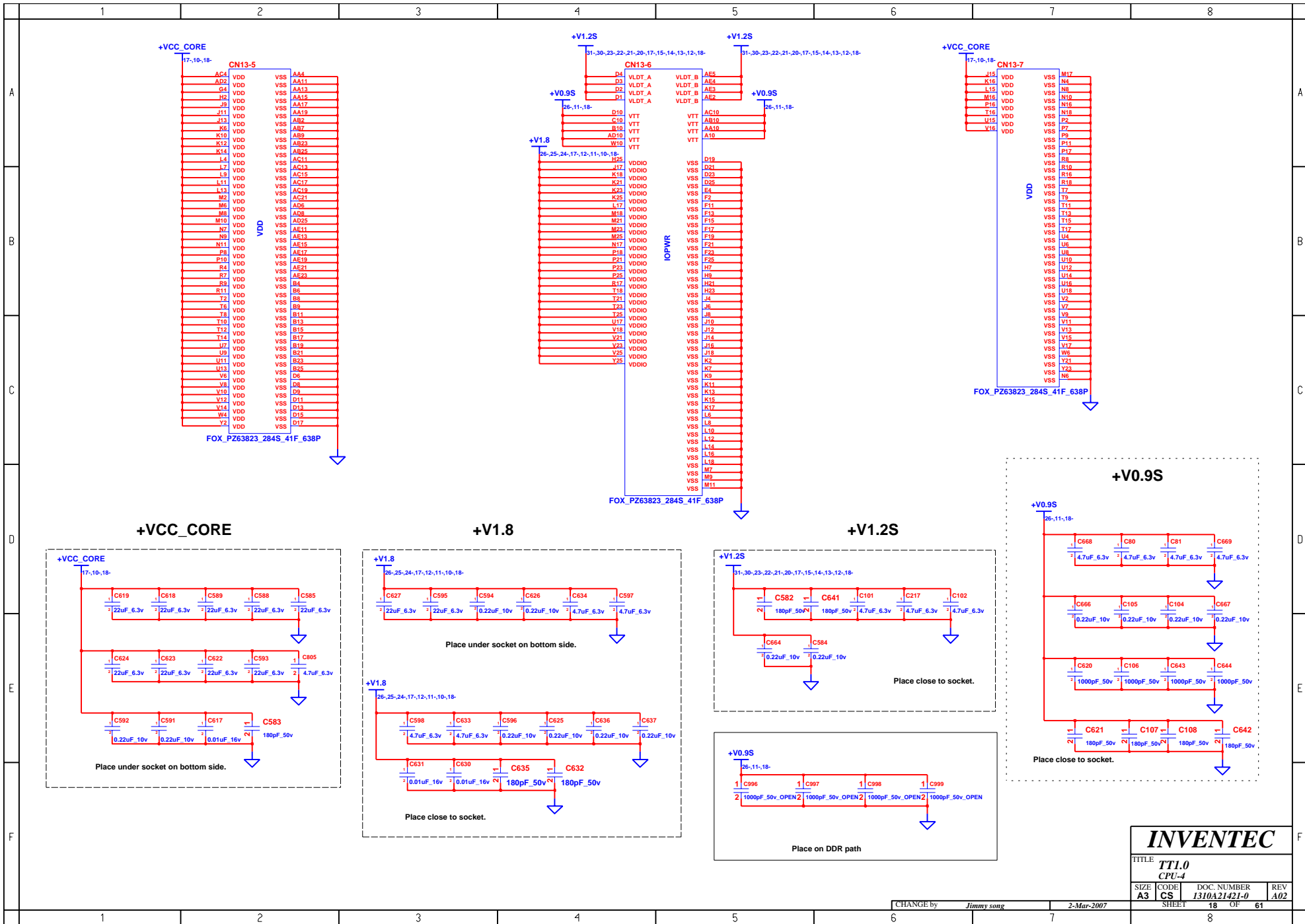
FOR debug (220ohm)



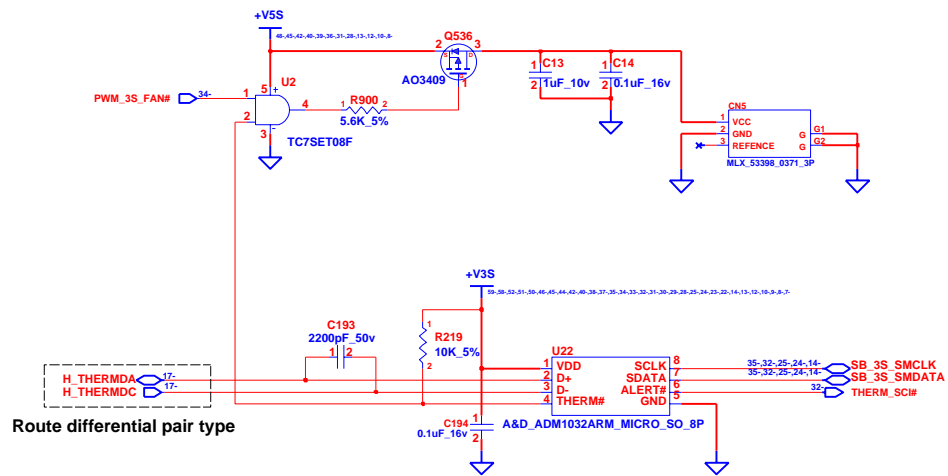
HDT Header

INVENTEC

TITLE TT1.0 CPU-3			
SIZE A3	CODE CS	DOC. NUMBER I310A21421-0	REV A02
CHANGE by Jimmy song		2-Mar-2007	
SHEET 17		OF 61	



INVENTEC			
TITLE TTL0 CPU-4			
SIZE A3	CODE CS	DOC. NUMBER I310A21421-0	REV A02
CHANGE by <i>Jimmy song</i>		2-Mar-2007	
SHEET 18		OF 61	



Route differential pair type

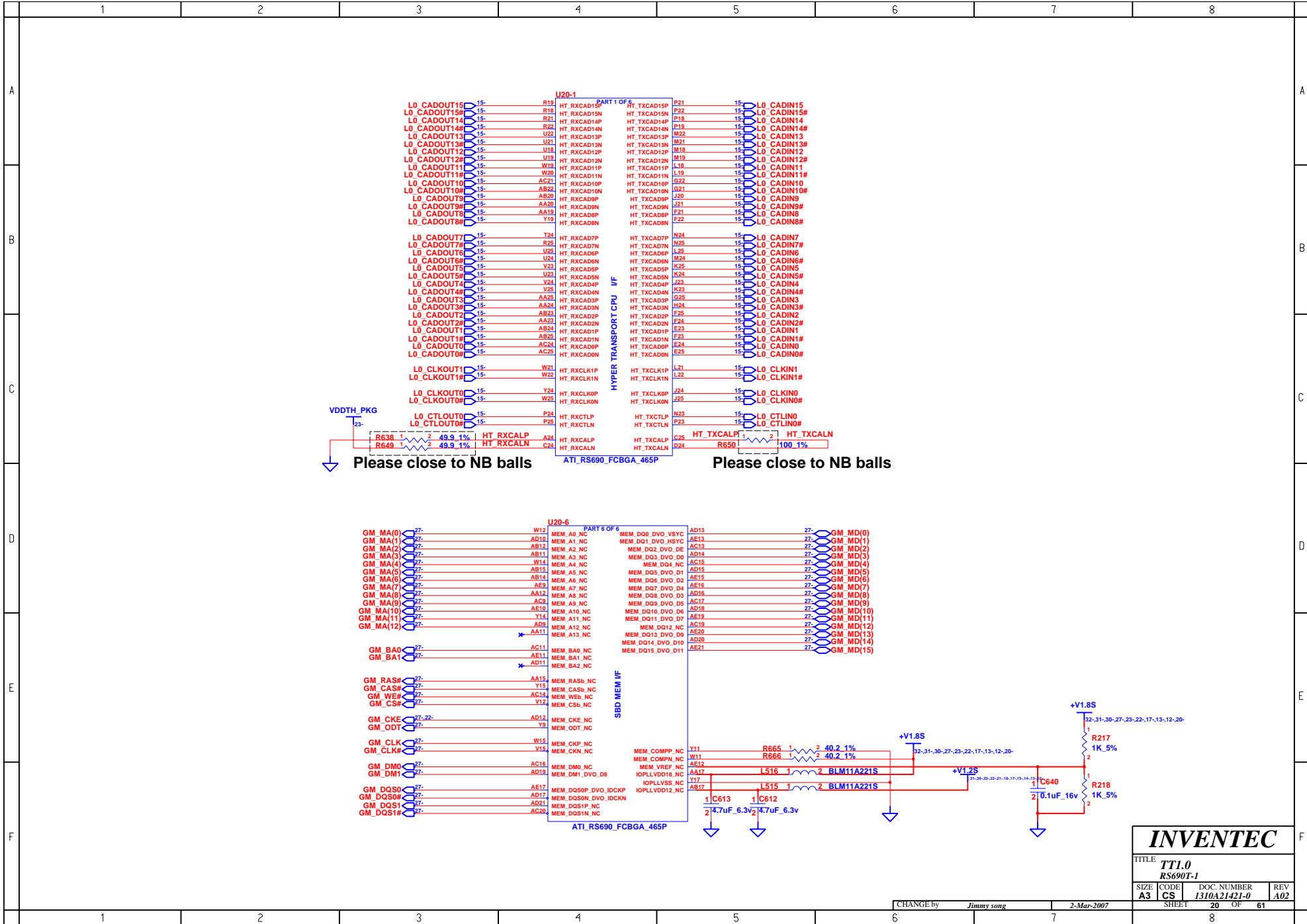
LAYOUT Note: Put the thermal sensor close to CPU.

INVENTEC

TITLE		
TT1.0		
THERMAL&FAN CONTROLLER		
SIZE	CODE	DOC. NUMBER
A3	CS	1310A21421-0
REV		A02

CHANGE by Jimmy song 2-Mar-2007

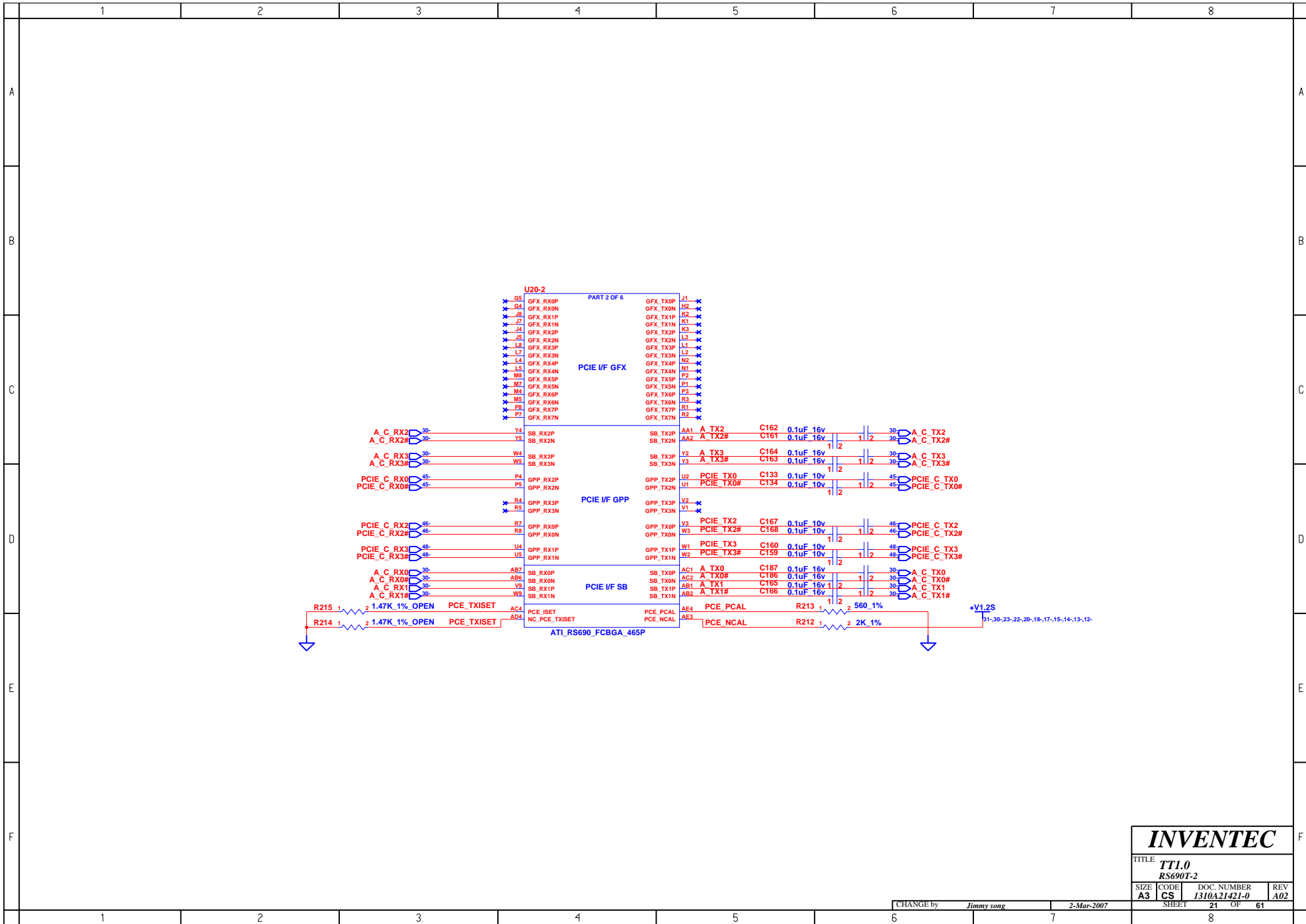
SHEET 19 OF 61



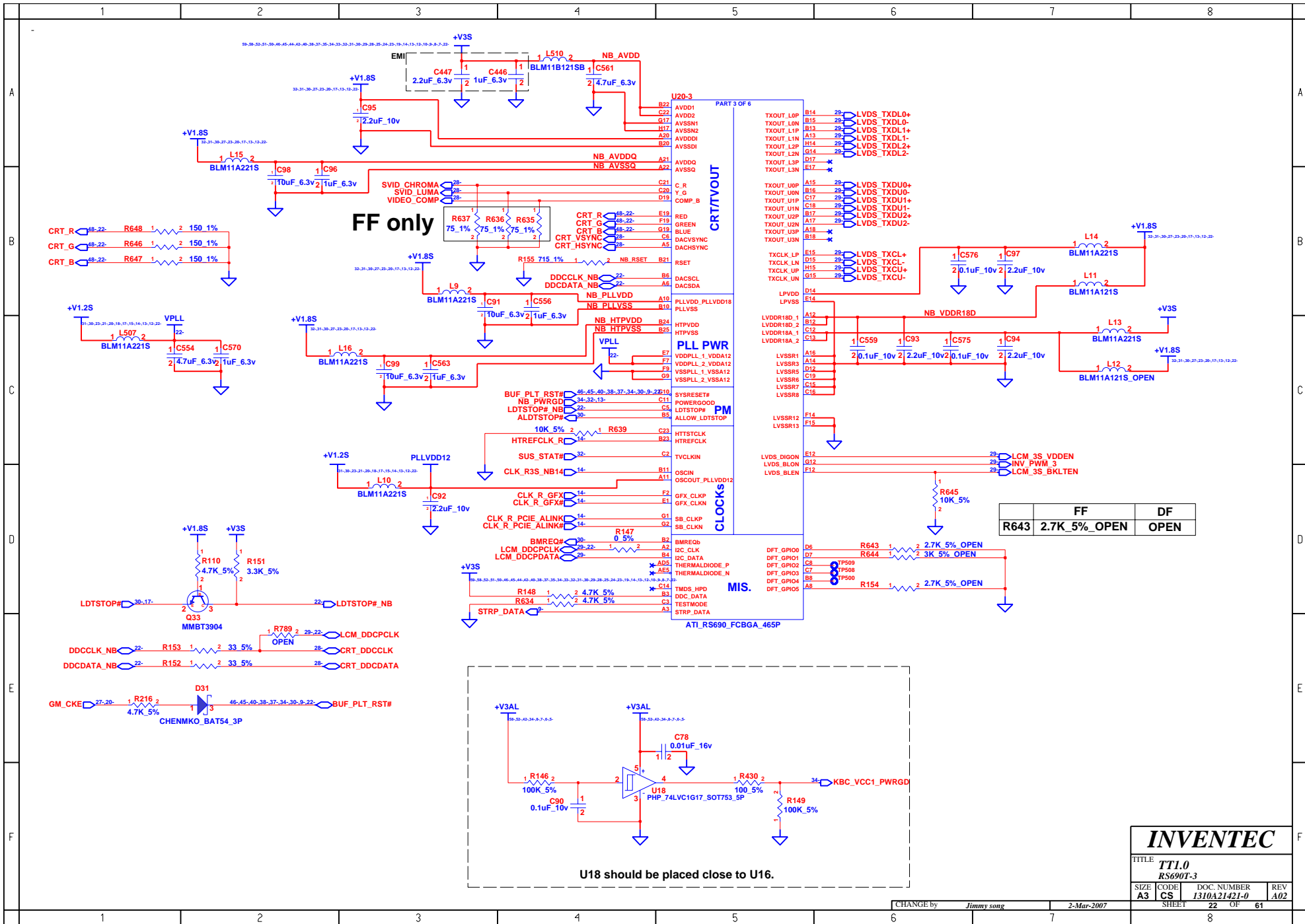
Please close to NB balls

Please close to NB balls

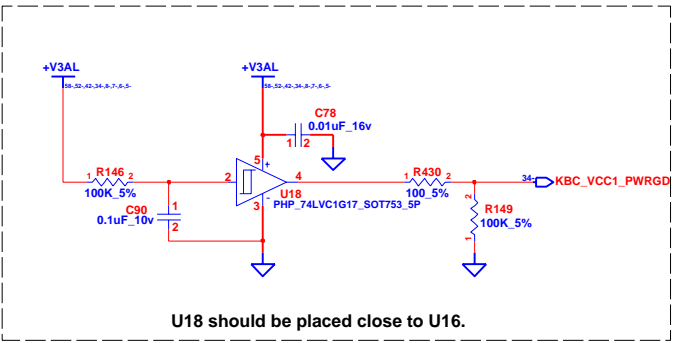
INVENTEC			
TITLE TT1.0 RS690T-1			
SIZE A3	CODE CS	DOC. NUMBER 1310A21421-0	REV A02
CHANGE by <i>Jimmy song</i>		2-Mar-2007	
SHEET 20		OF 61	



INVENTEC			
TITLE TTL0 RS690T-2			
SIZE A3	CODE CS	DOC. NUMBER 1310A21421-0	REV A02
CHANGE by <i>Jimmy song</i>		2-Mar-2007	
SHEET 21		OF 61	



	FF	DF
R643	2.7K 5% OPEN	OPEN



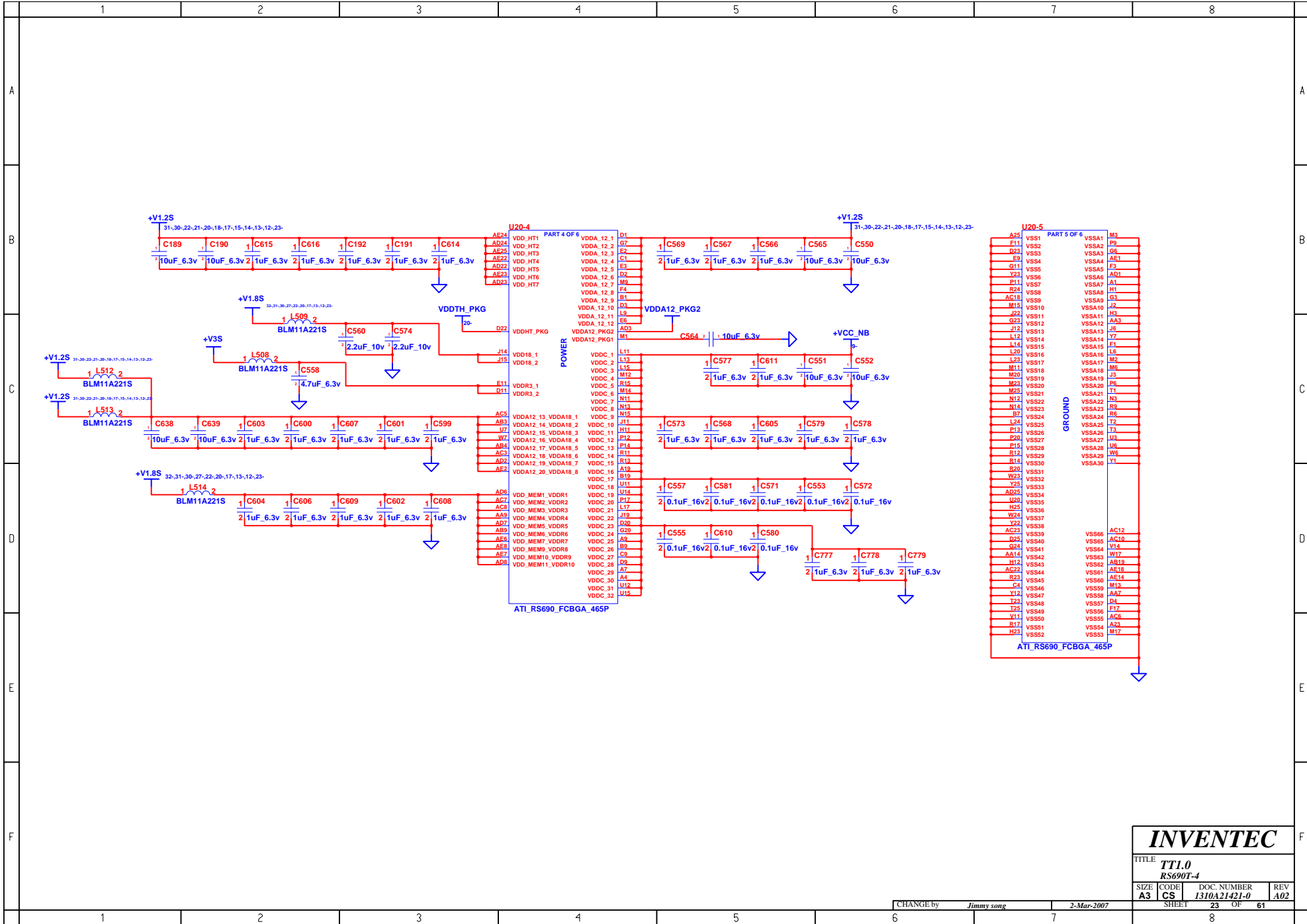
U18 should be placed close to U16.

INVENTEC

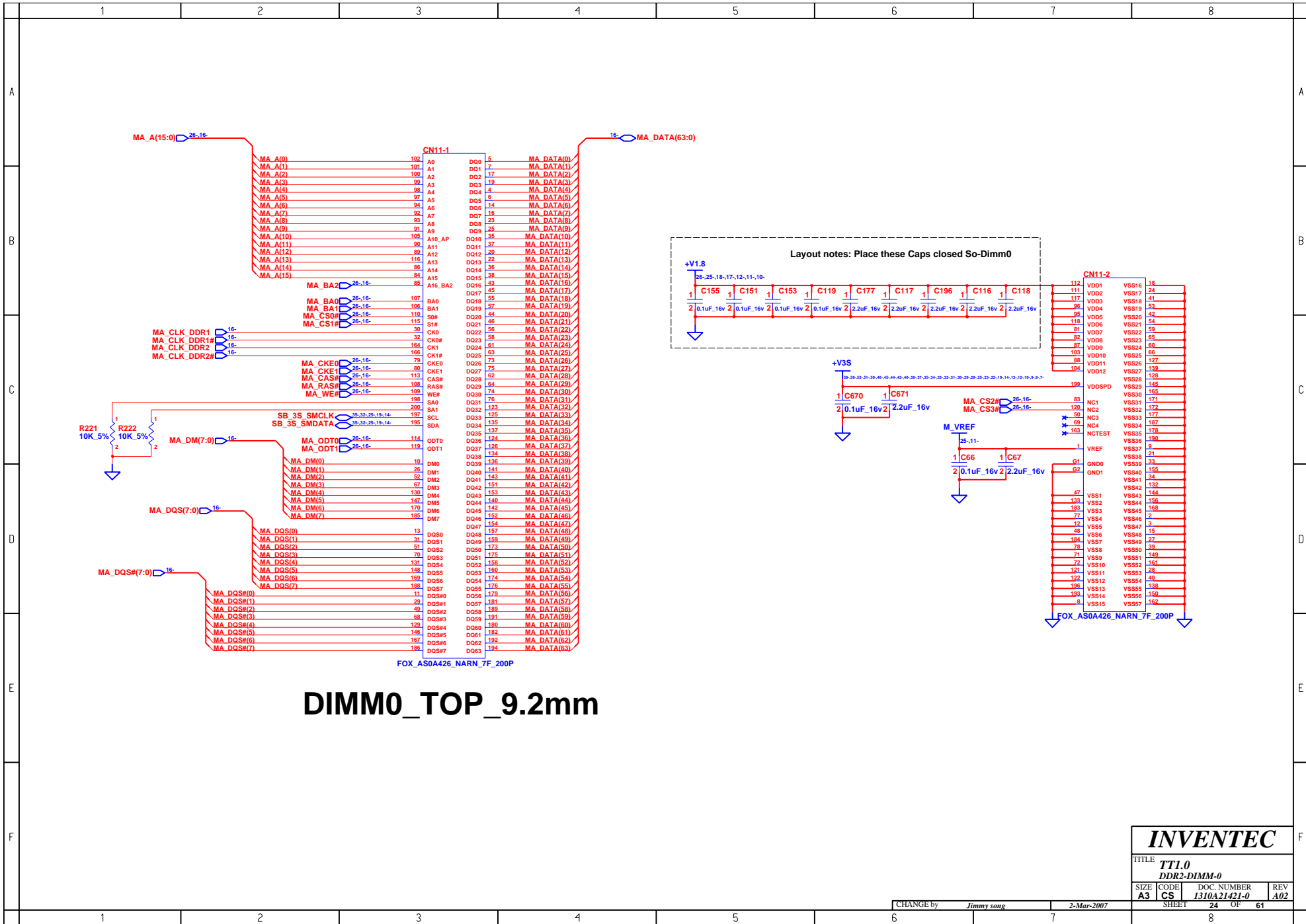
TITLE
TT1.0
RS690T-3

SIZE A3	CODE CS	DOC. NUMBER I310A21421-0	REV A02
------------	------------	-----------------------------	------------

SHEET 22 OF 61



INVENTEC			
TITLE TTI.0			
RS690T-4			
SIZE A3	CODE CS	DOC. NUMBER 1310A21421-0	REV A02
CHANGE by <i>Jimmy song</i>		2-Mar-2007	
SHEET 23		OF 61	



INVENTEC

TITLE TTI.0
DDR2-DIMM-0

SIZE	CODE	DOC. NUMBER	REV
A3	CS	1310A21421-0	A02

CHANGE by Jimmy song 2-Mar-2007

SHEET	OF
24	61

A

B

C

D

E

F

A

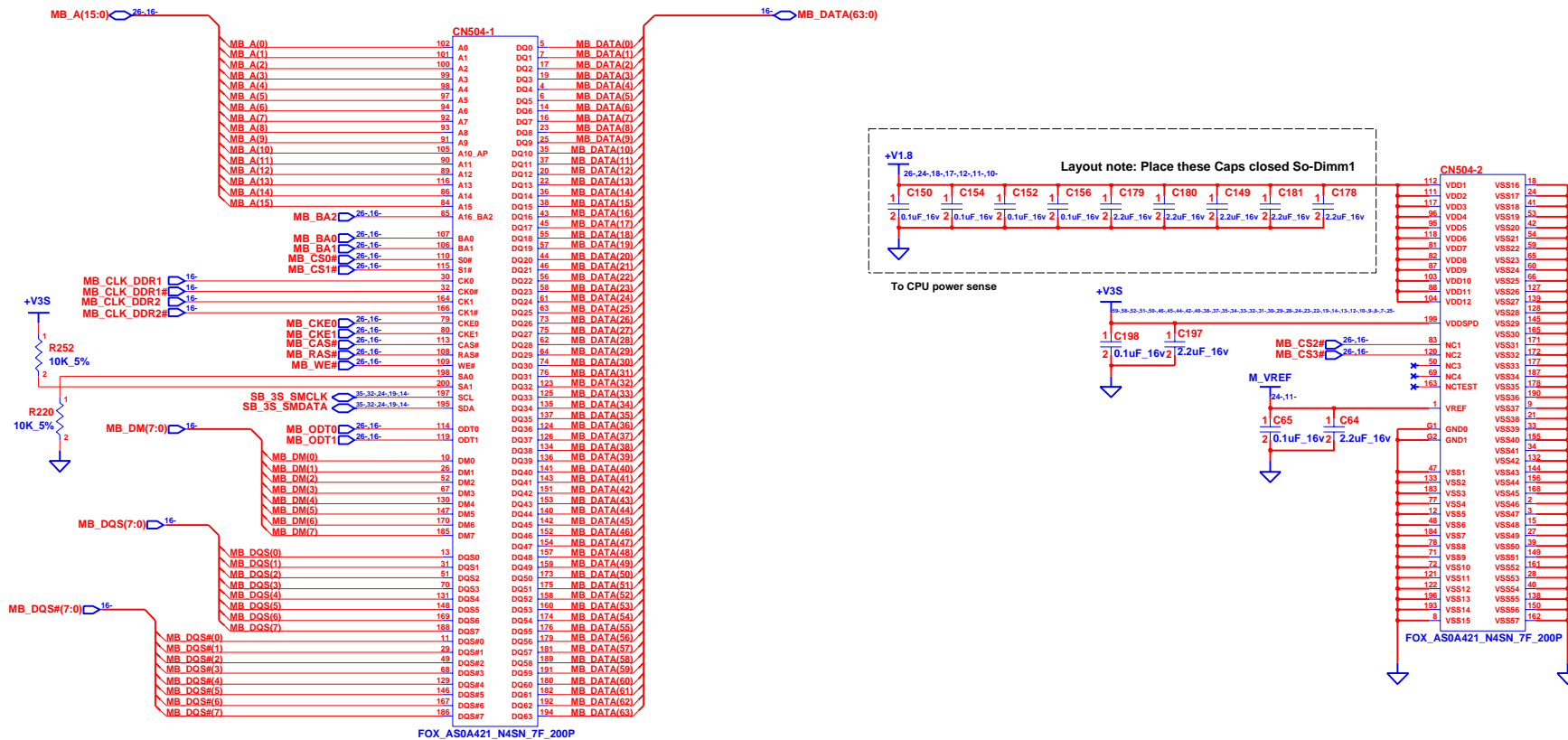
B

C

D

E

F



DIMM1_BTM_4.0mm

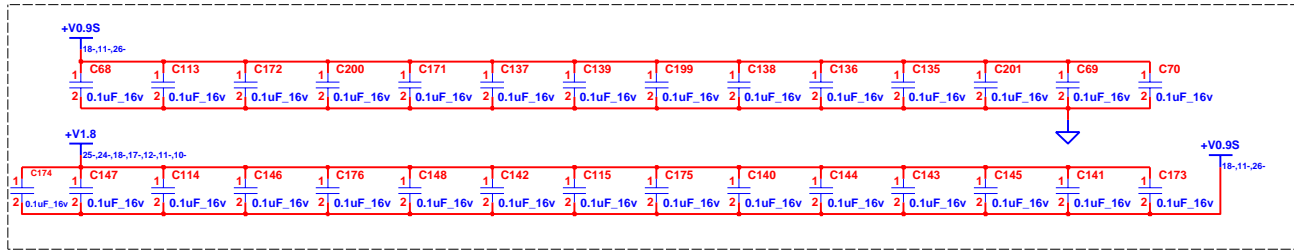
INVENTEC

TITLE
TT1.0
DDR2-DIMM-1

SIZE	CODE	DOC. NUMBER	REV
A3	CS	1310A21421-0	A02

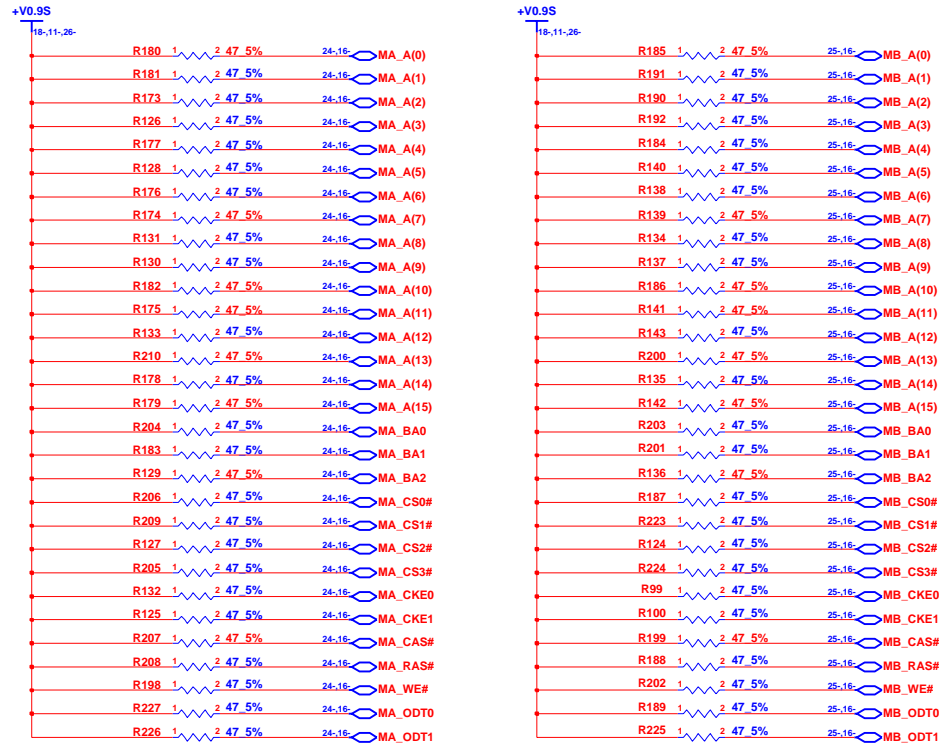
CHANGE by Jimmy song 2-Mar-2007

SHEET 25 OF 61



To CPU power sense

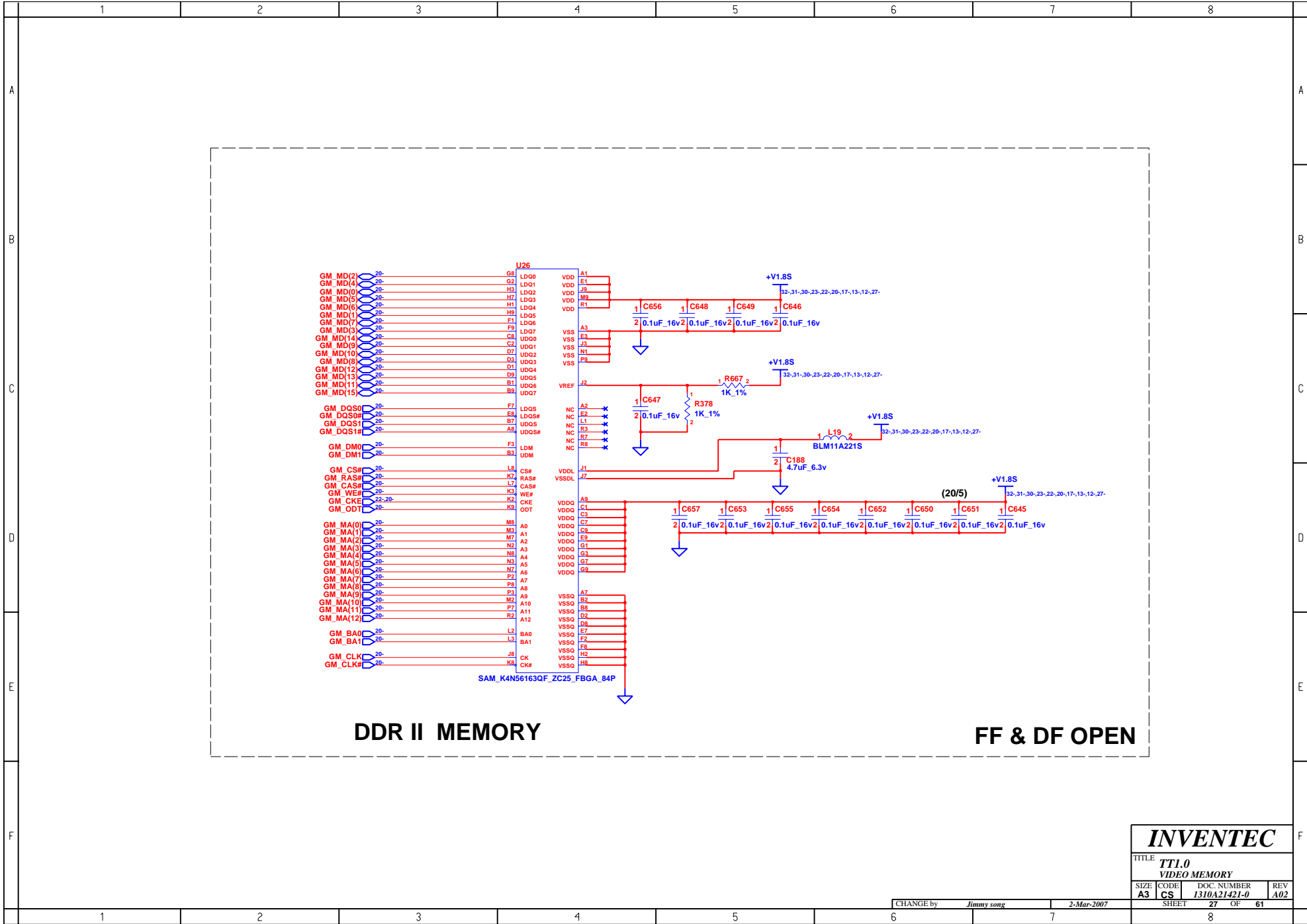
Place CAPs close to DIMM

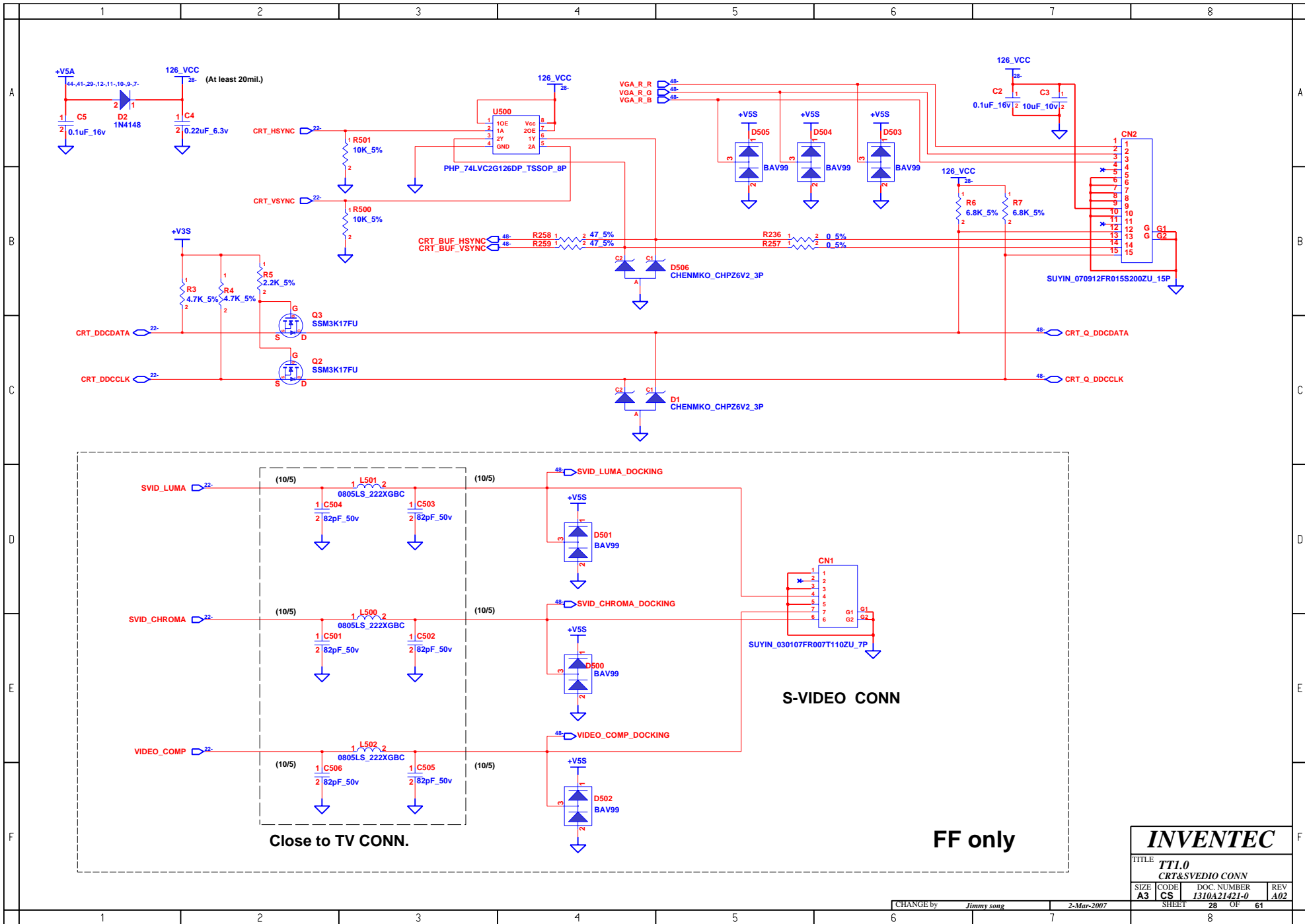


INVENTEC

TITLE			
TTL0			
DDR2-DAMPING			
SIZE	CODE	DOC. NUMBER	REV
A3	CS	I310A21421-0	A02
SHEET		OF	
26		61	

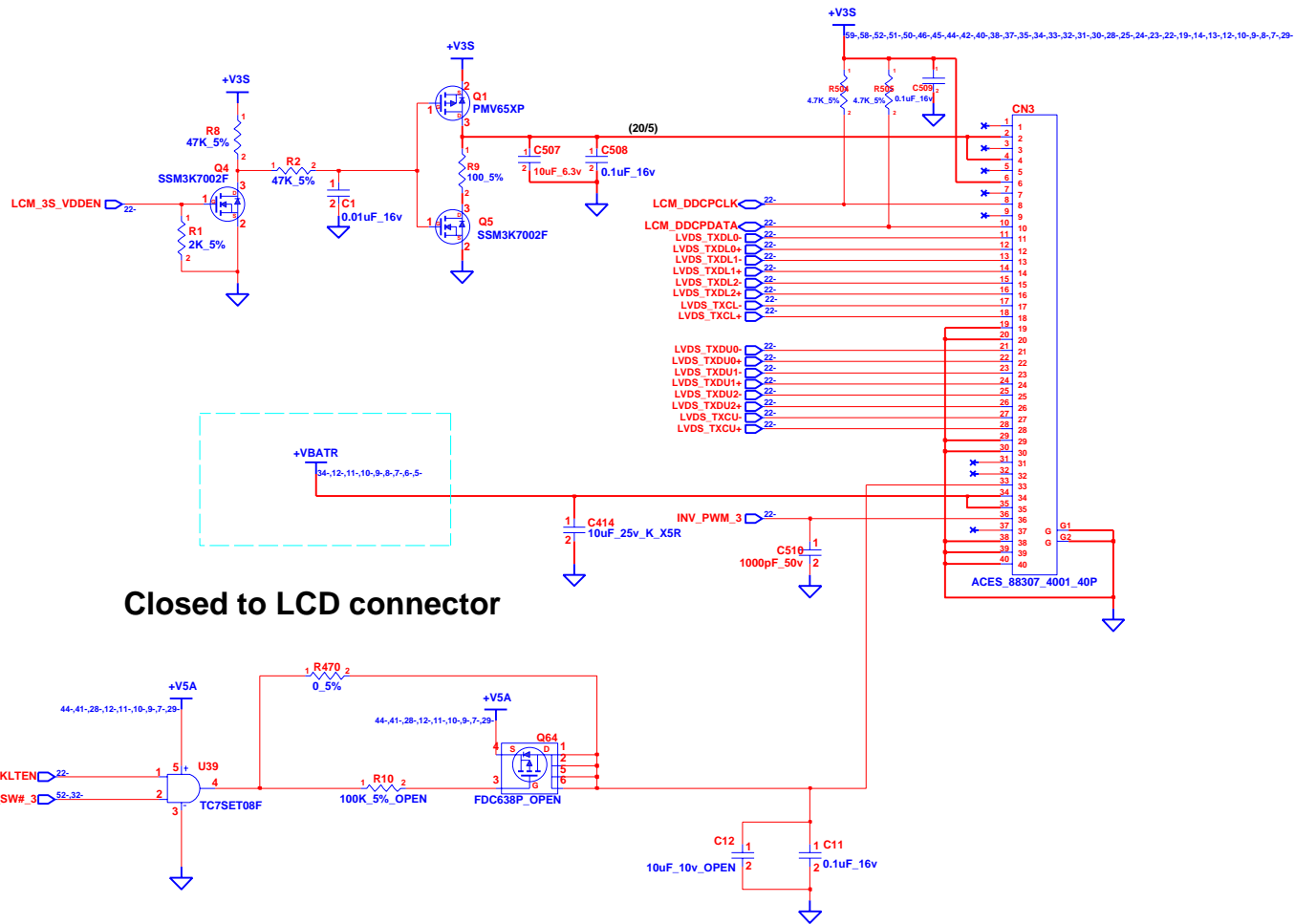
CHANGE by Jimmy song 2-Mar-2007





INVENTEC

TITLE			
TT1.0			
CRT&SVEDIO CONN			
SIZE	CODE	DOC. NUMBER	REV
A3	CS	1310A21421-0	A02

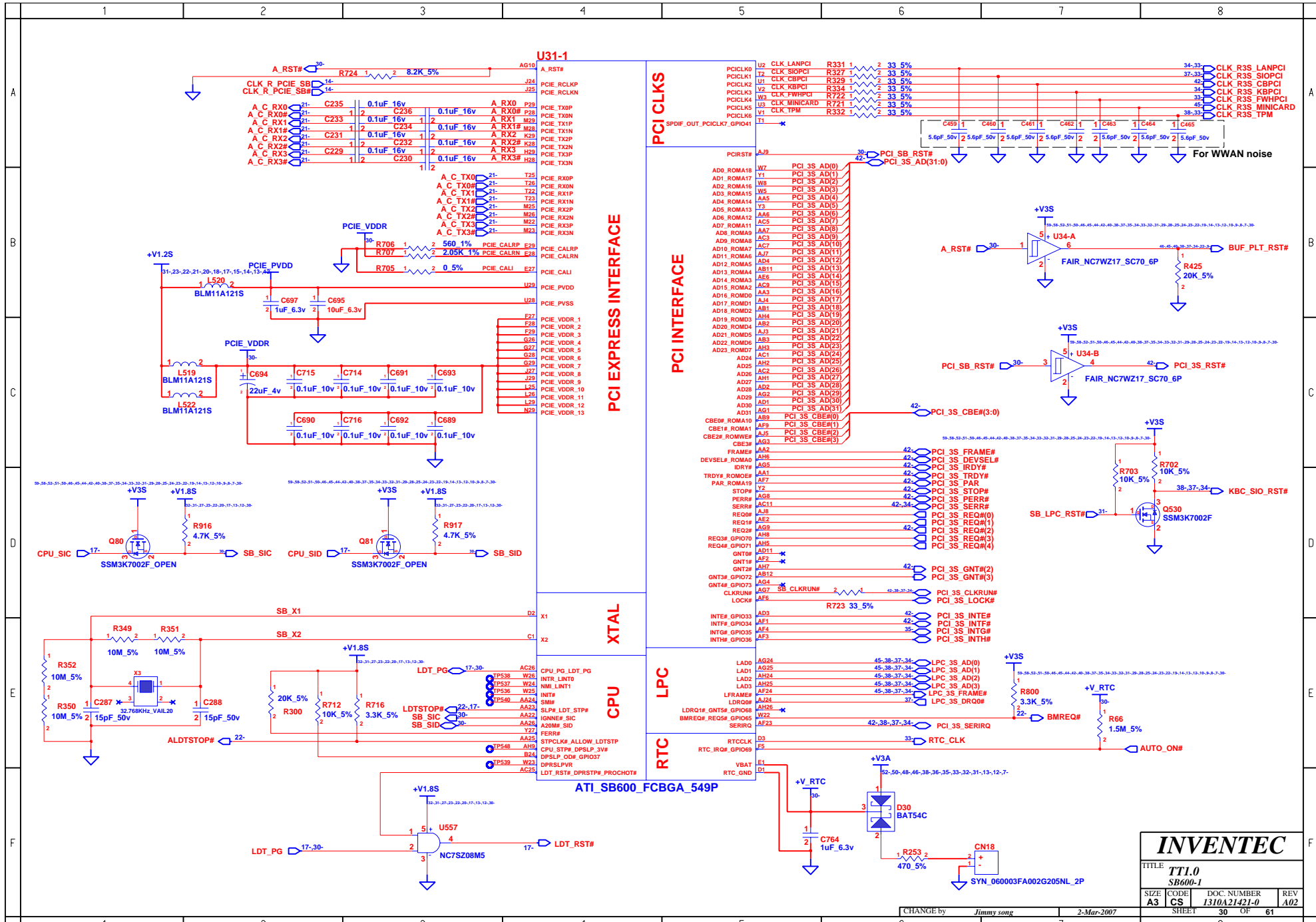


Closed to LCD connector

INVENTEC

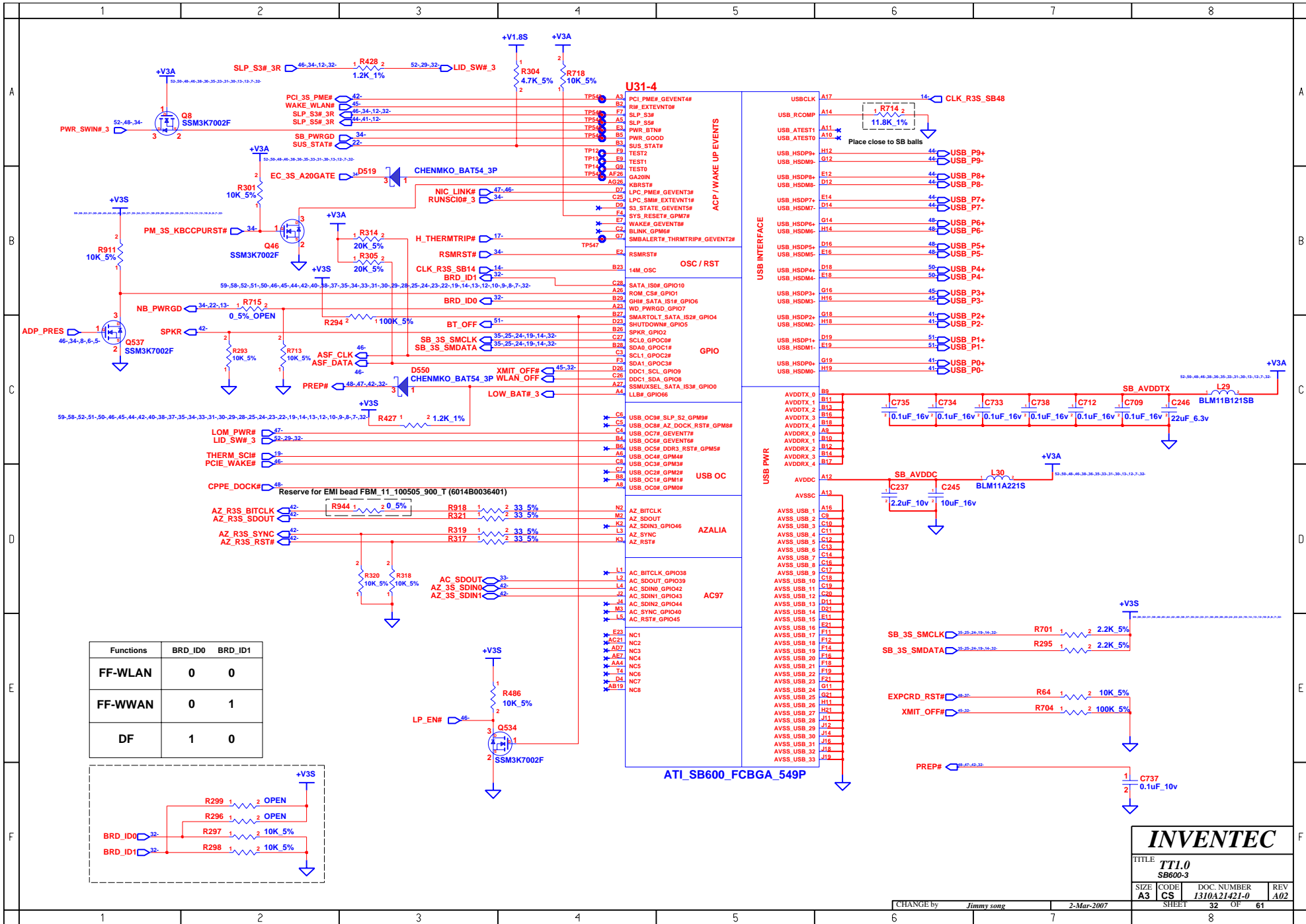
TITLE			
TTL0			
LCD CONN			
SIZE	CODE	DOC. NUMBER	REV
A3	CS	1310A21421-0	A02
CHANGE by		SHEET	
Jimmy song		29 OF 61	

2-Mar-2007

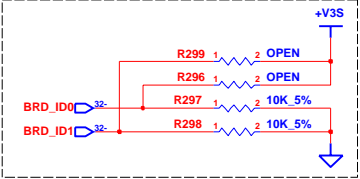


INVENTEC

TITLE			
TT1.0			
SB600-1			
SIZE	CODE	DOC. NUMBER	REV
A3	CS	1310A2142-0	A02
SHEET		30	OF 61



Functions	BRD_ID0	BRD_ID1
FF-WLAN	0	0
FF-WWAN	0	1
DF	1	0



INVENTEC

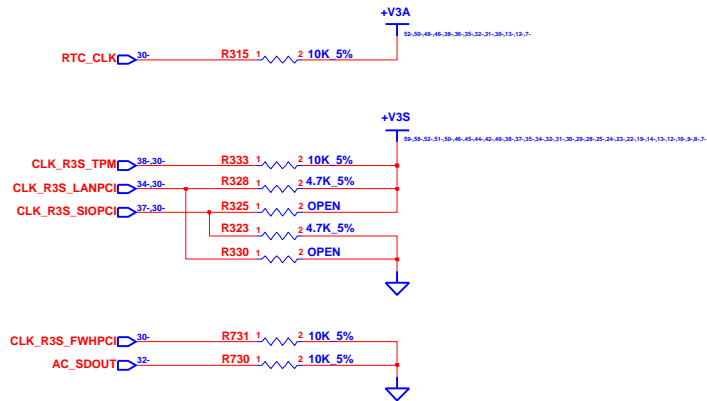
TITLE **TT1.0**
SB600-3

SIZE A3	CODE CS	DOC. NUMBER I310A21421-0	REV A02
----------------	----------------	---------------------------------	----------------

CHANGE by *Jimmy song* 2-Mar-2007 SHEET 32 OF 61

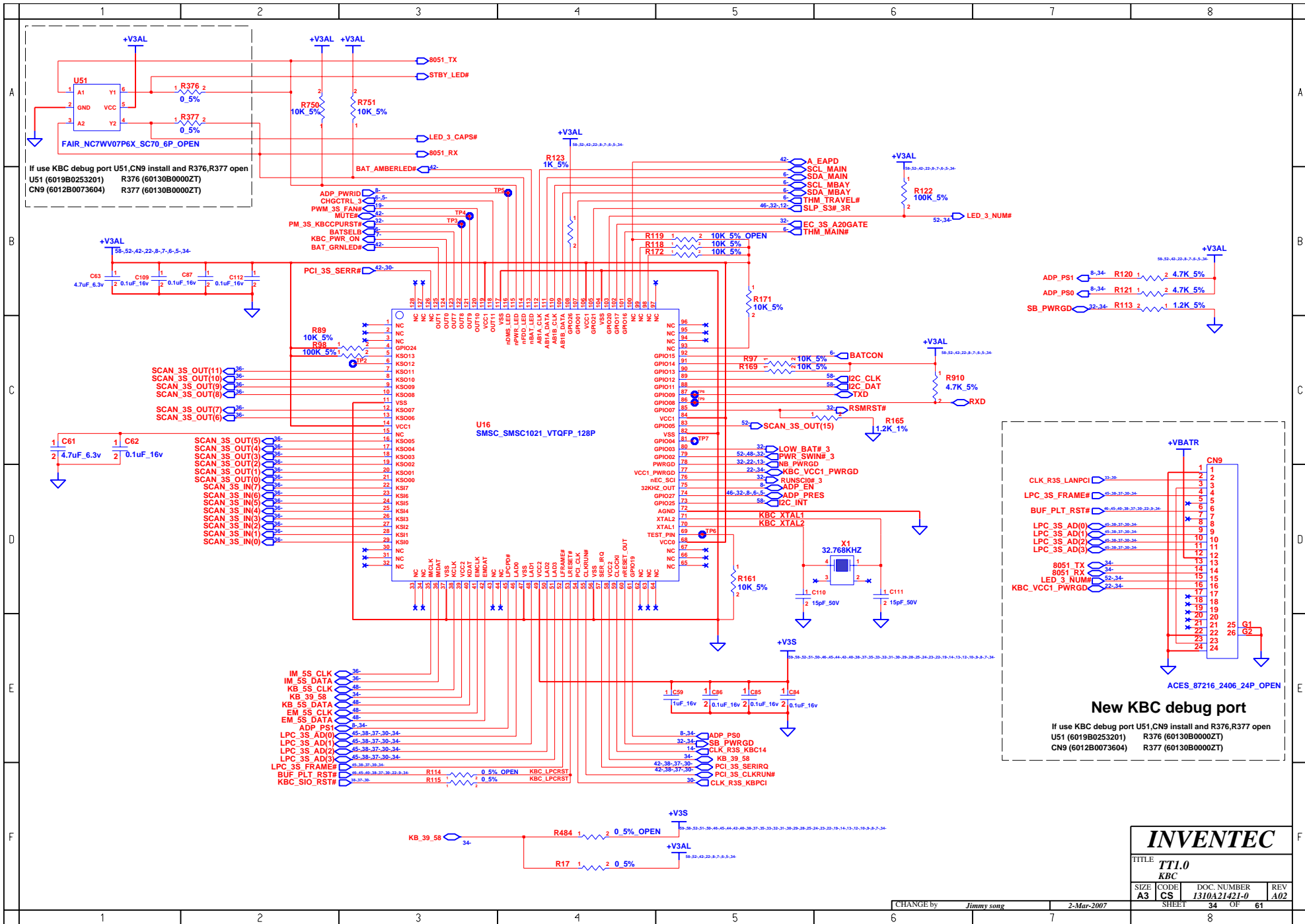
Required Straps:

	AC_SDOUT	RTC_CLK	CLK_R3S_FWHPCI	PCI_CLK6	PCI_CLK0 PCI_CLK1
PULL HIGH	USE DEBUG STRAPS	INTERNAL RTC	USE INT. PLL48	CPU K8	HH: PCI ROM HL: SPI ROM
PULL LOW	IGNORE DEBUG STRAPS	EXTERNAL RTC	USE EXT. 48M CLK	CPU P4	LH: LPC ROM LL: FWH ROM



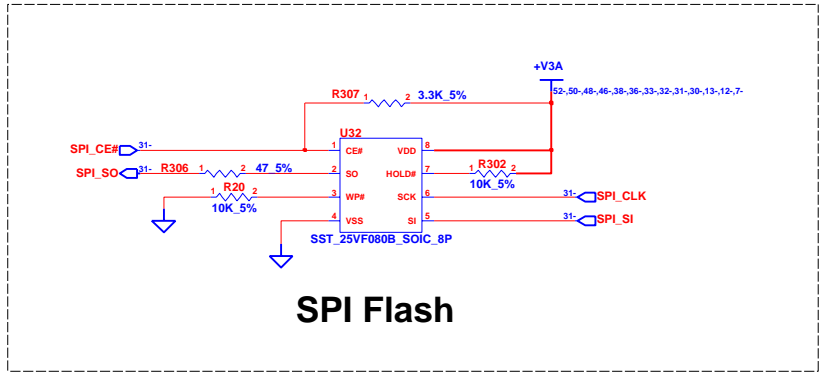
INVENTEC

TITLE <i>TT1.0</i>			
SB600-4			
SIZE A3	CODE CS	DOC. NUMBER <i>1310A21421-0</i>	REV A02
CHANGE by <i>Jimmy song</i>		2-Mar-2007	SHEET 33 OF 61

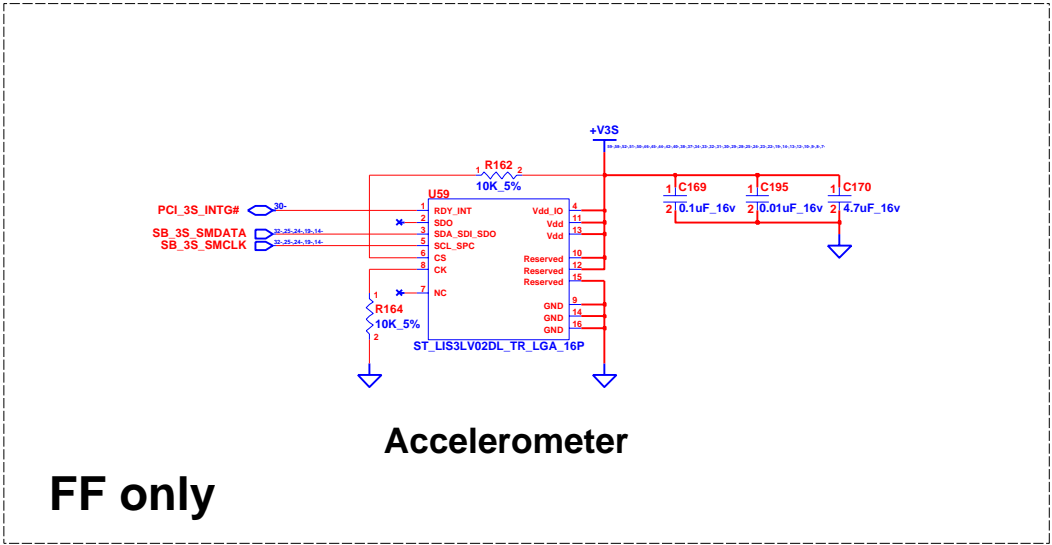


INVENTEC			
TITLE TTI.0 KBC			
SIZE	CODE	DOC. NUMBER	REV
A3	CS	1310A21421-0	A02
SHEET		34	OF 61

CHANGE by Jimmy song 2-Mar-2007



SPI Flash



Accelerometer

FF only

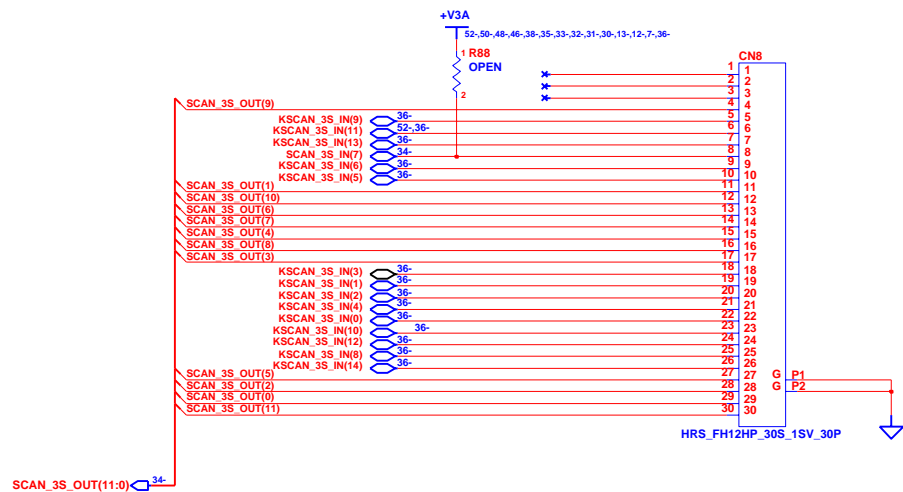
INVENTEC

TITLE			
TT1.0			
SPI & Accelerometer			
SIZE	CODE	DOC. NUMBER	REV
A3	CS	1310A21421-0	A02

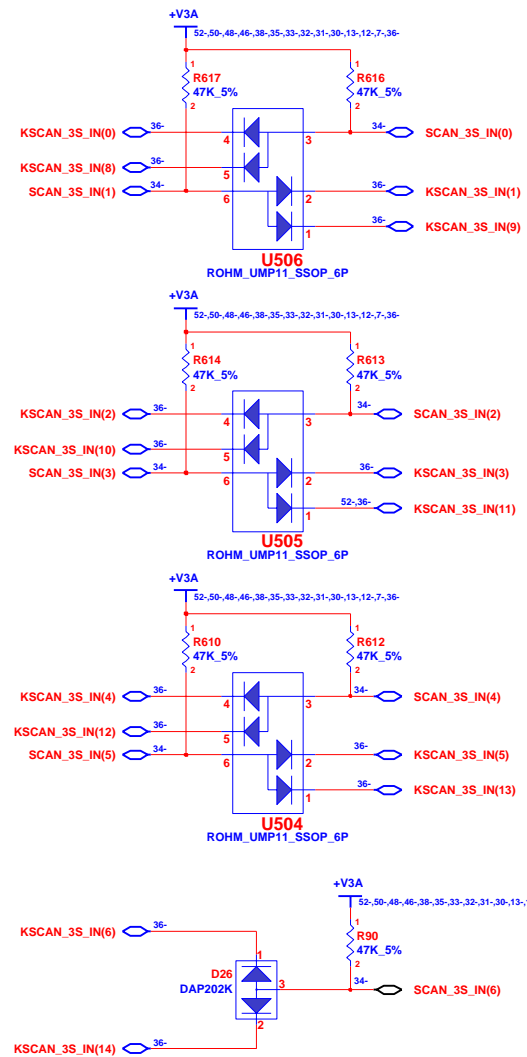
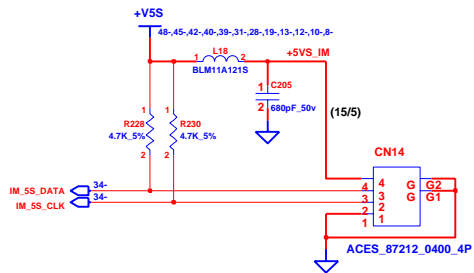
CHANGE by Jimmy song 2-Mar-2007

SHEET 35 OF 61

Keyboard CONN



Touch Pad CONN



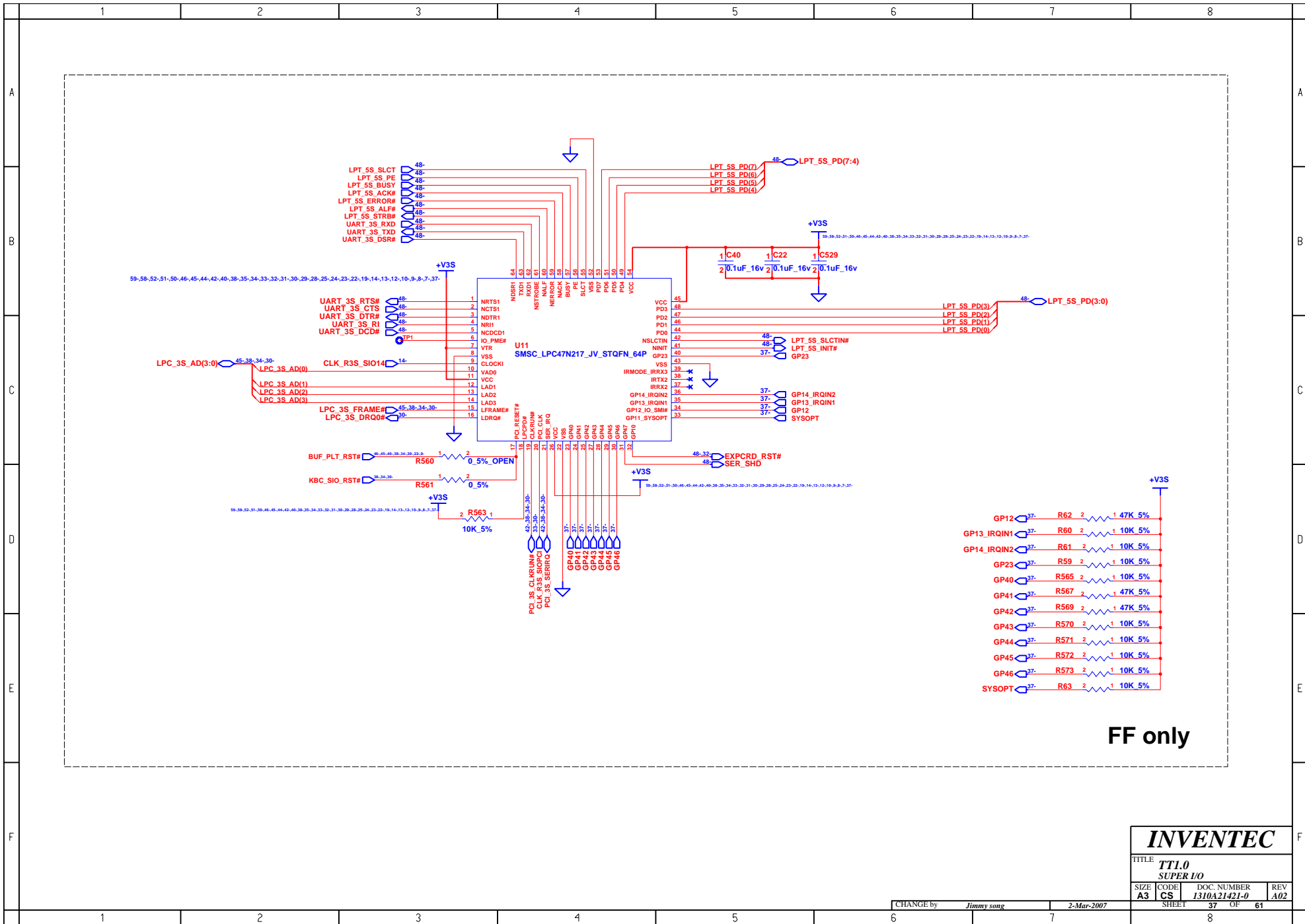
INVENTEC

TITLE
TTL0
INT.KBC/POINT DEVICES

SIZE CODE DOC. NUMBER REV
A3 CS 1310A21421-0 A02

CHANGE by Jimmy song 2-Mar-2007

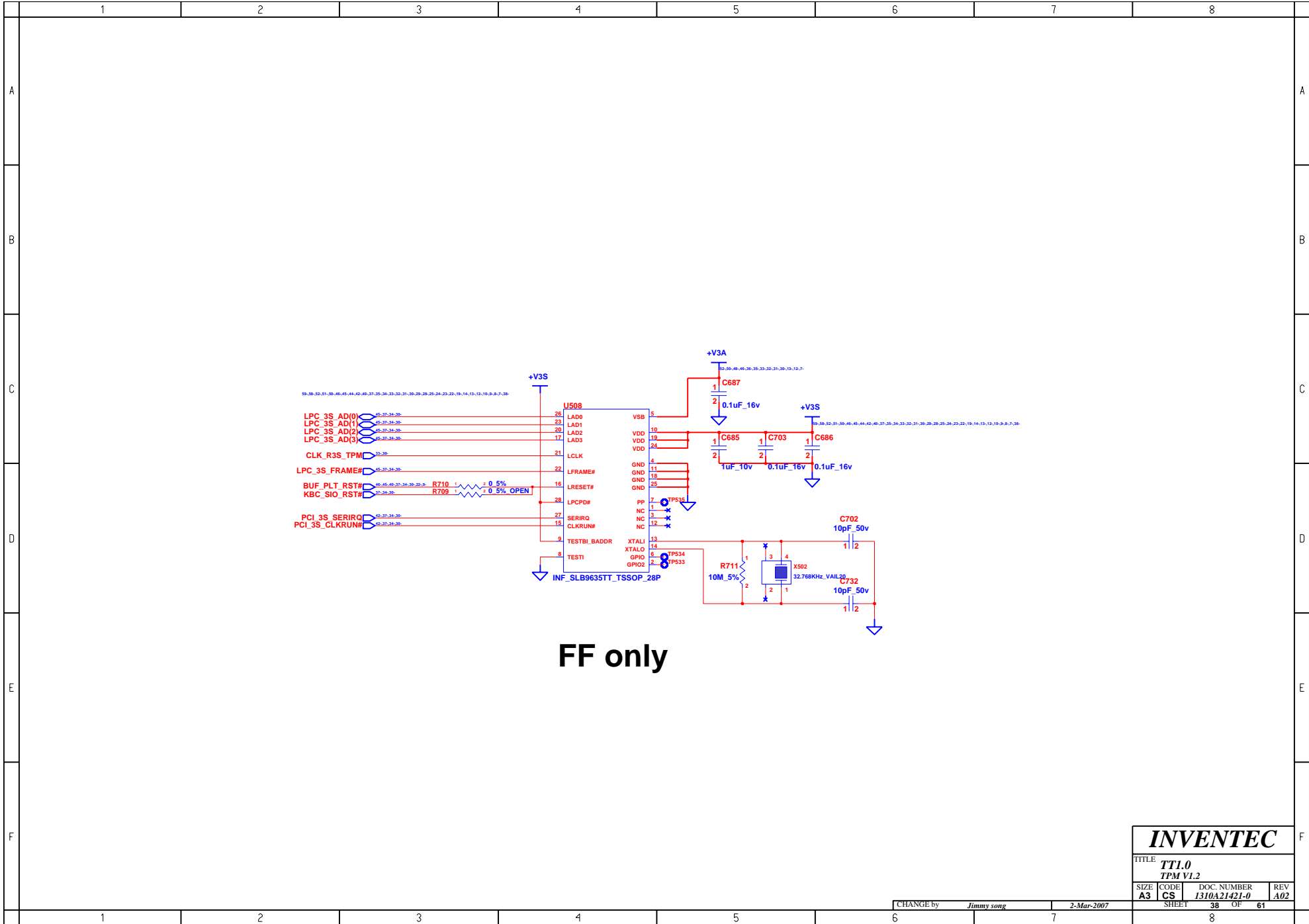
SHEET 36 OF 61



FF only

INVENTEC

TITLE			
TT1.0			
SUPER I/O			
SIZE	CODE	DOC. NUMBER	REV
A3	CS	1310A21421-0	A02



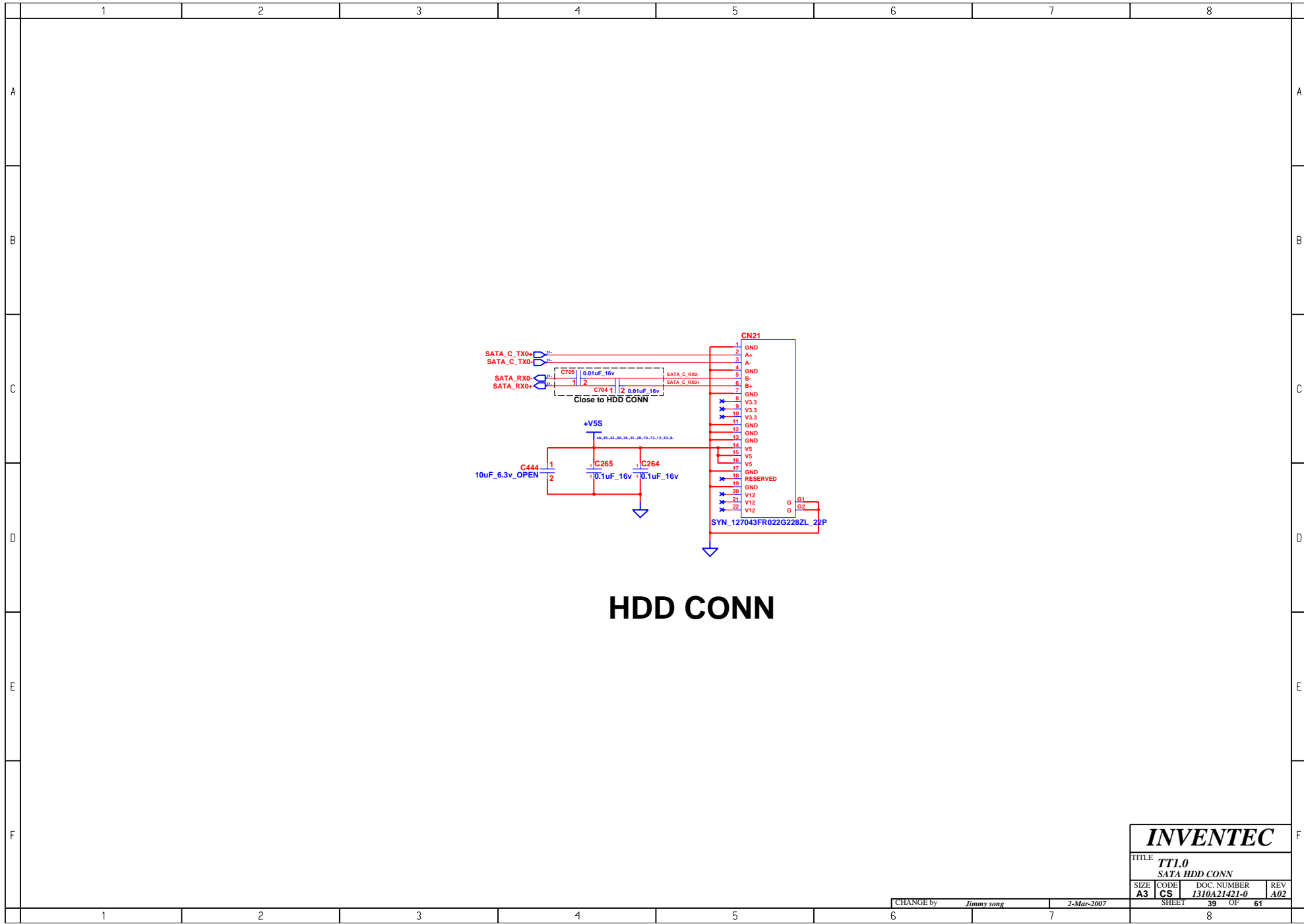
INVENTEC

TITLE
TT1.0
TPM V1.2

SIZE CODE DOC. NUMBER REV
A3 CS 1310A21421-0 A02

CHANGE by *Jimmy song* 2-Mar-2007

SHEET 38 OF 61



HDD CONN

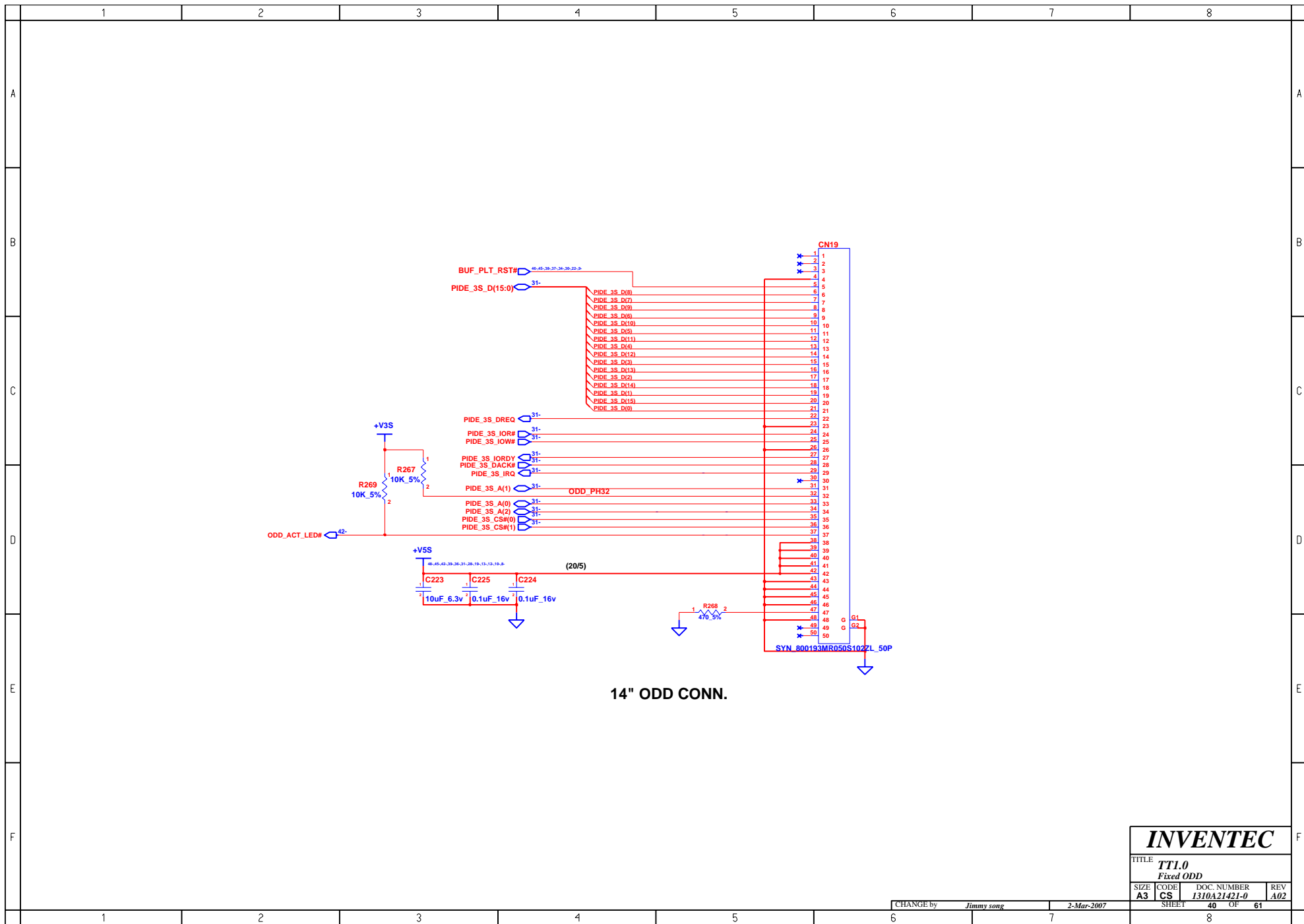
INVENTEC

TITLE *TTL.0*
SATA HDD CONN

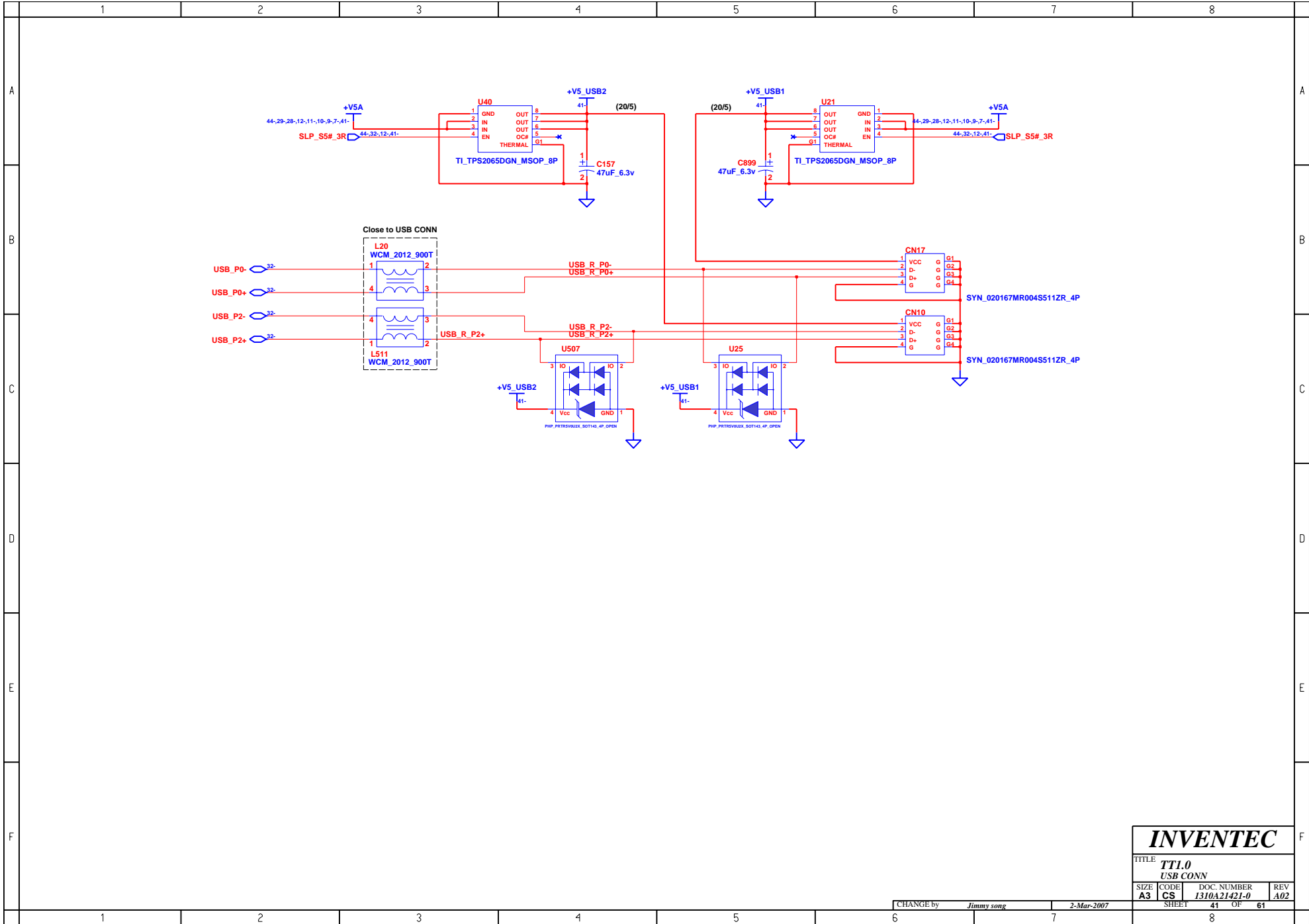
SIZE	CODE	DOC. NUMBER	REV
A3	CS	1310A21421-0	A02

CHANGE by *Jimmy song* 2-Mar-2007

SHEET 39 OF 61

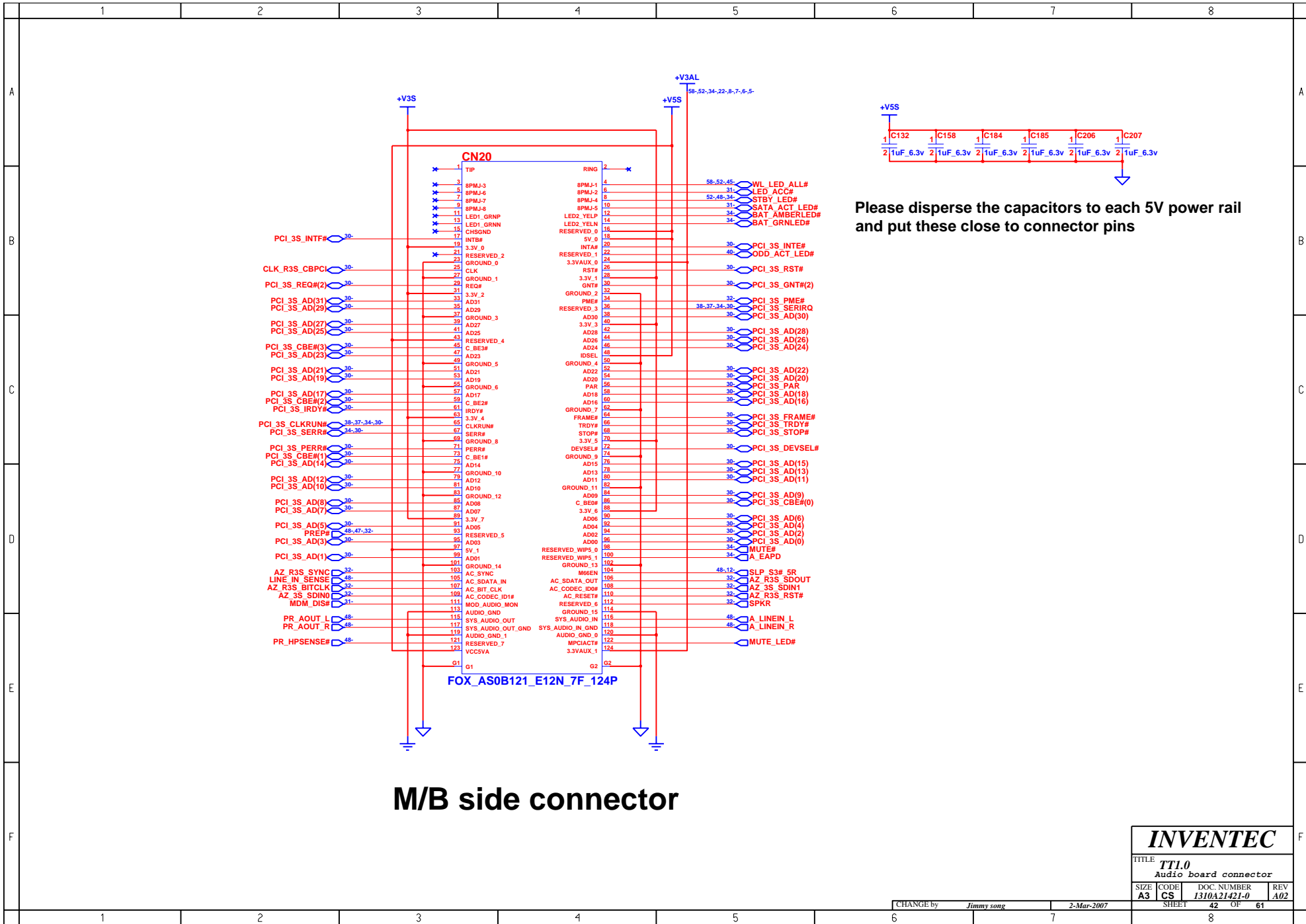


INVENTEC			
TITLE <i>TTL0</i> <i>Fixed ODD</i>			
SIZE	CODE	DOC. NUMBER	REV
A3	CS	1310A21421-0	A02
CHANGE by		SHEET	
Jimmy song		40 OF 61	
2-Mar-2007		8	



INVENTEC

TITLE			
TTL.0			
USB CONN			
SIZE	CODE	DOC. NUMBER	REV
A3	CS	1310A21421-0	A02



INVENTEC

TITLE **TT1.0**
Audio board connector

SIZE A3	CODE CS	DOC. NUMBER 1310A21421-0	REV A02
----------------	----------------	---------------------------------	----------------

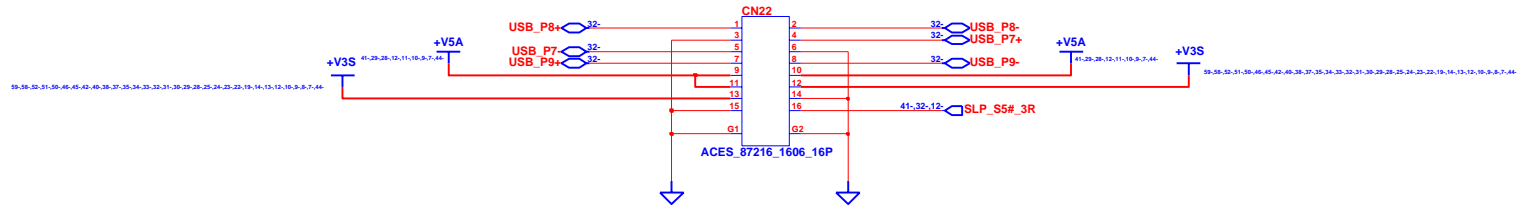
BLANK

INVENTEC

TITLE			
<i>TT1.0</i>			
<i>BLANK</i>			
SIZE	CODE	DOC. NUMBER	REV
A3	CS	<i>1310A21421-0</i>	<i>A02</i>

CHANGE by *Jimmy song* 2-Mar-2007

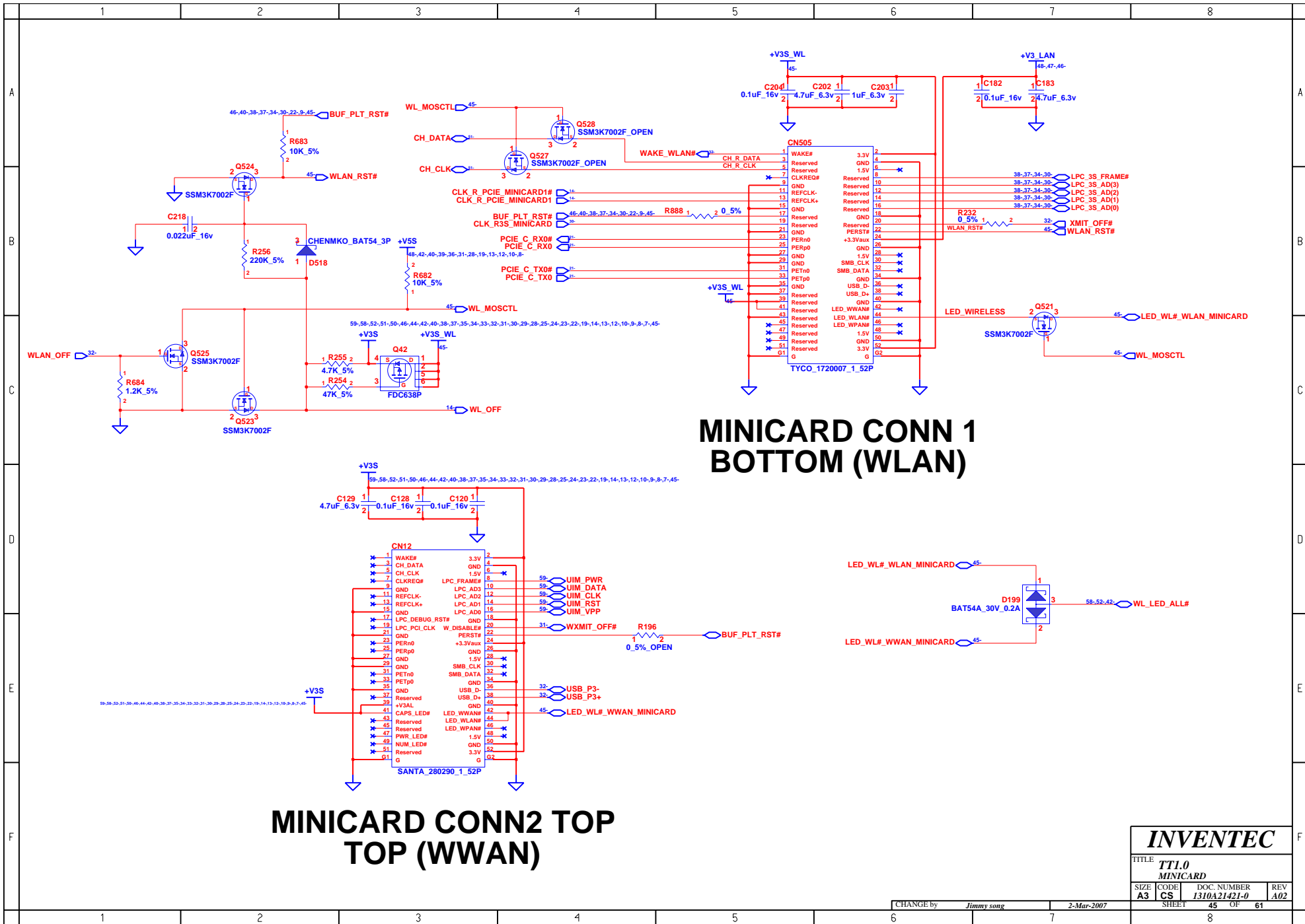
SHEET 43 OF 61



M/B side connector

INVENTEC			
TITLE TT1.0			
5 in 1 connector			
SIZE	CODE	DOC. NUMBER	REV
A3	CS	1310A21421-0	A02
CHANGE by <i>Jimmy song</i>		2-Mar-2007	
SHEET		44 OF 61	

	1	2	3	4	5	6	7	8	
A									
B									
C									
D									
E									
F									
	1	2	3	4	5	6	7	8	



MINICARD CONN 1 BOTTOM (WLAN)

MINICARD CONN2 TOP TOP (WWAN)

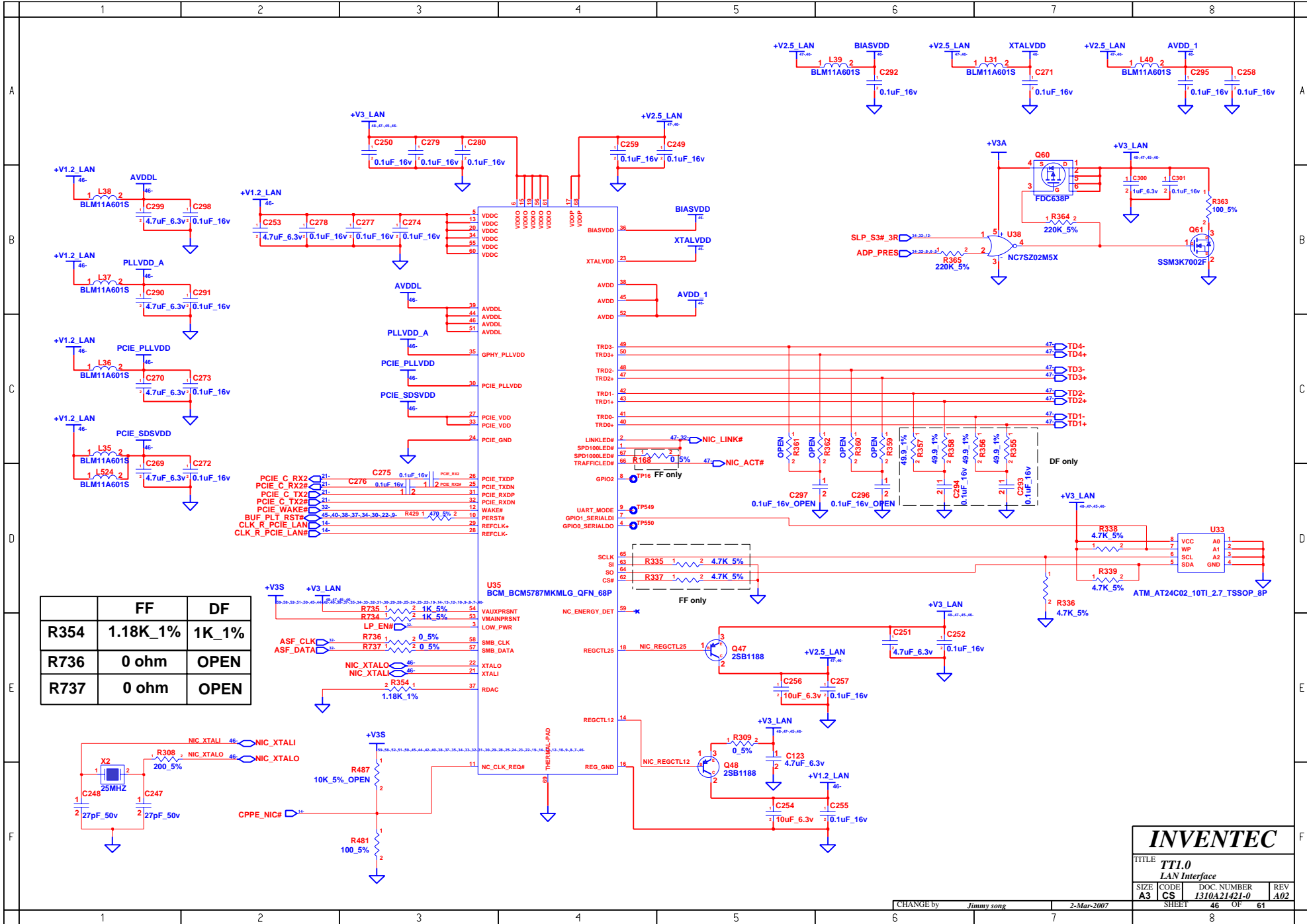
INVENTEC

TITLE
**TTL0
MINICARD**

SIZE A3	CODE CS	DOC. NUMBER I310A21421-0	REV A02
-------------------	-------------------	------------------------------------	-------------------

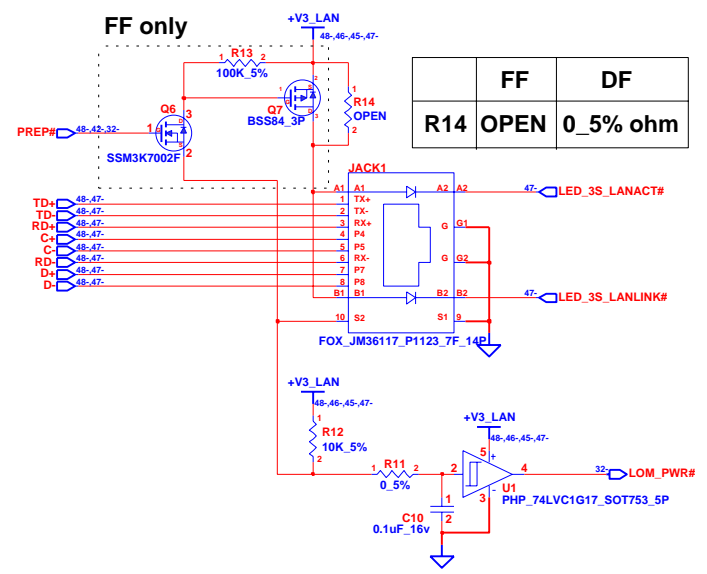
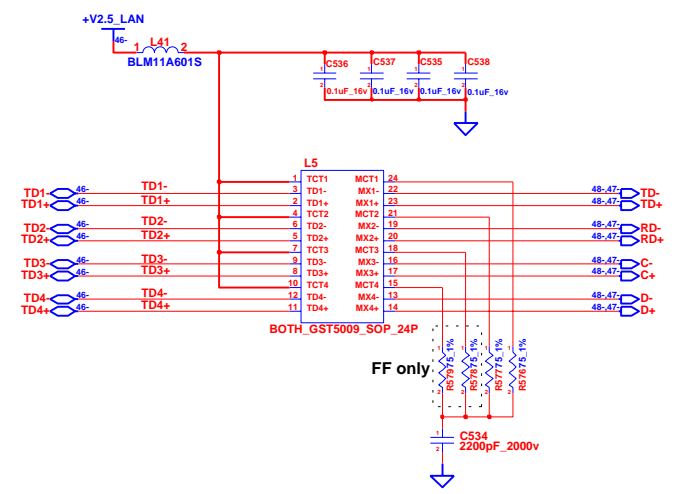
CHANGE by *Jimmy song* 2-Mar-2007

SHEET 45 OF 61

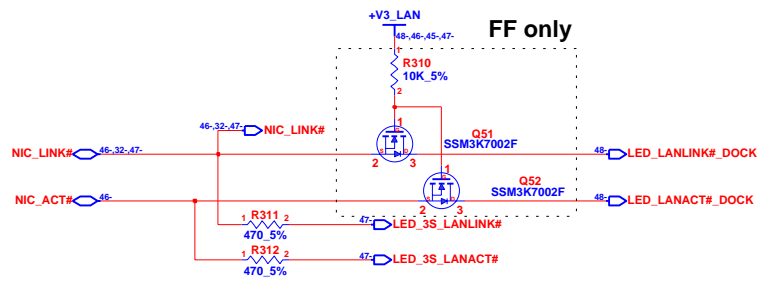


	FF	DF
R354	1.18K_1%	1K_1%
R736	0 ohm	OPEN
R737	0 ohm	OPEN

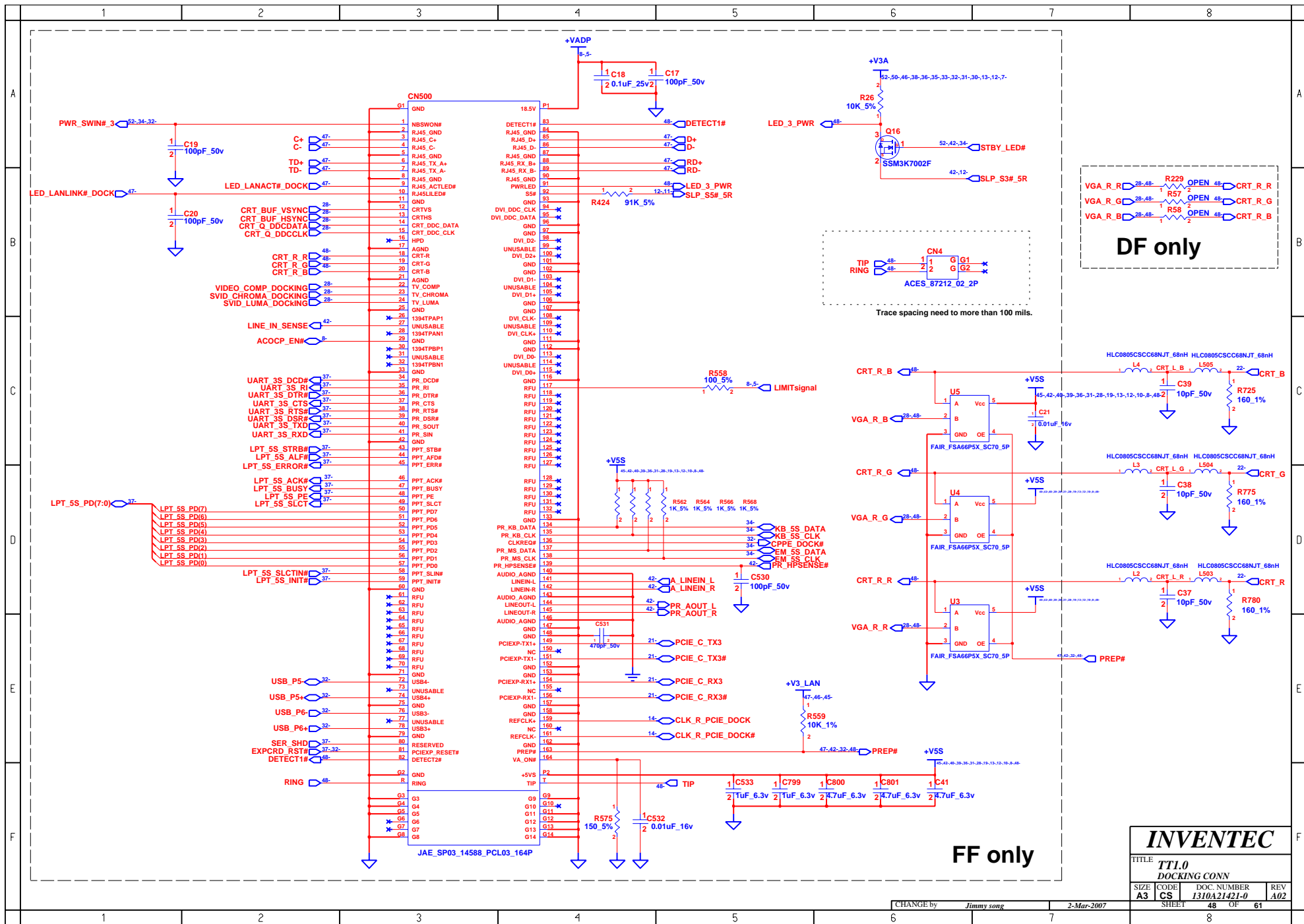
INVENTEC			
TITLE TT1.0 LAN Interface			
SIZE A3	CODE CS	DOC. NUMBER I310A21421-0	REV A02
CHANGE by <i>Jimmy song</i>		2-Mar-2007	
SHEET 46		OF 61	



	FF	DF
R14	OPEN	0.5% ohm

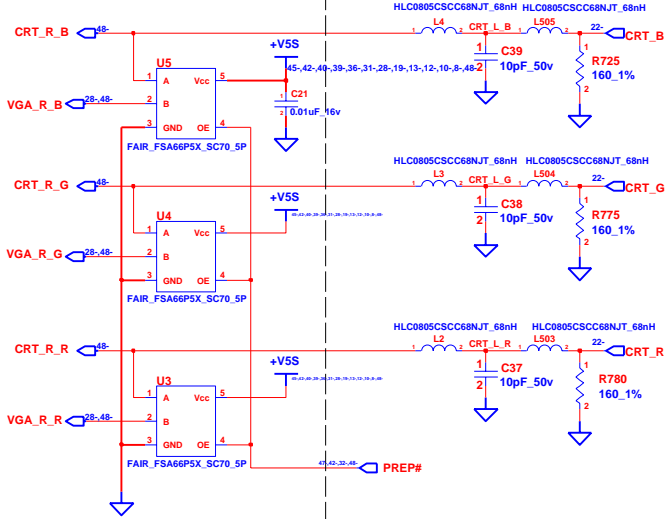


INVENTEC			
TITLE TTL0 LAN RJ45 CONN			
SIZE A3	CODE CS	DOC. NUMBER 1310A21421-0	REV A02
CHANGE by <i>Jimmy song</i>		2-Mar-2007	SHEET 47 OF 61



DF only

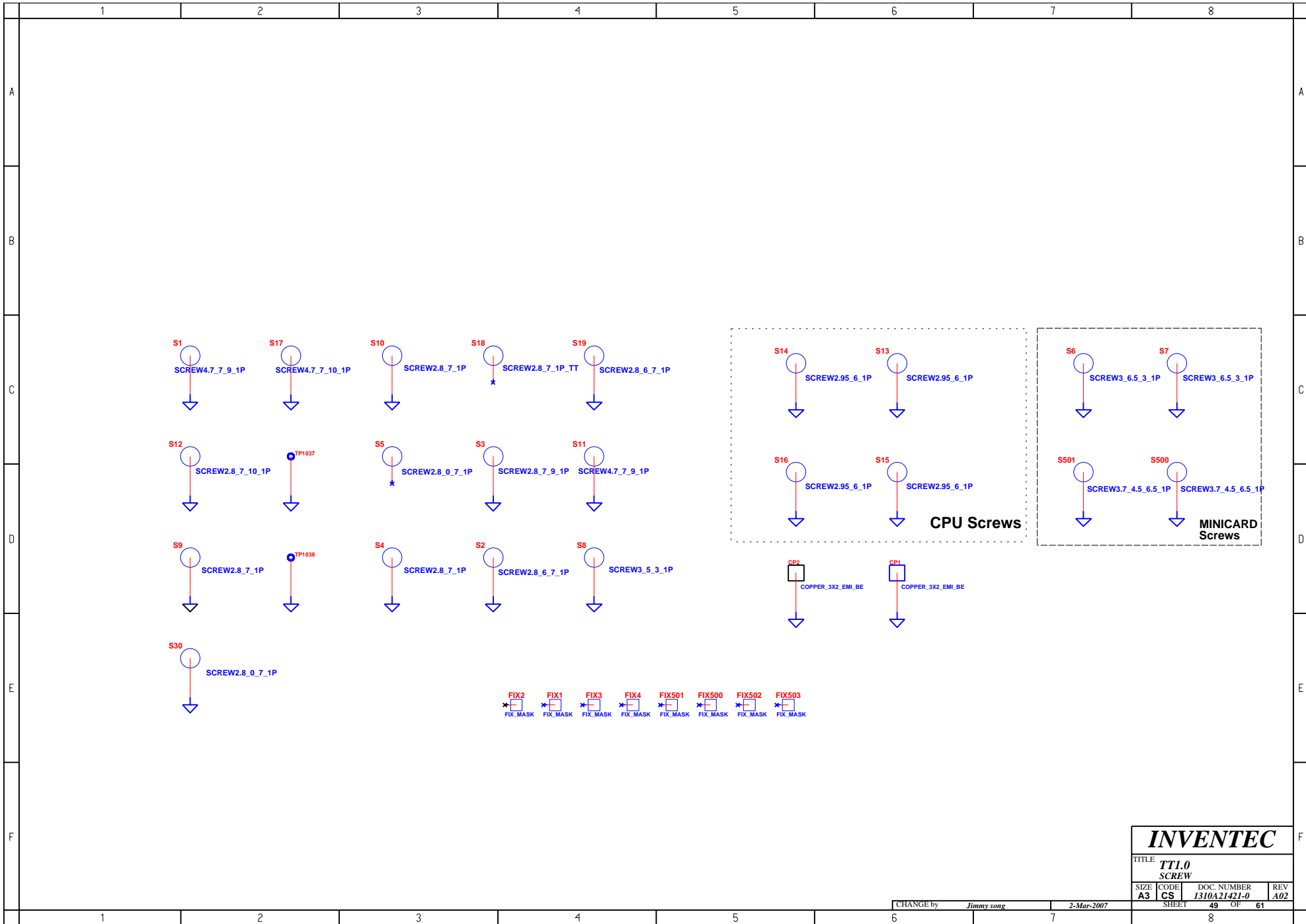
Trace spacing need to more than 100 mils.

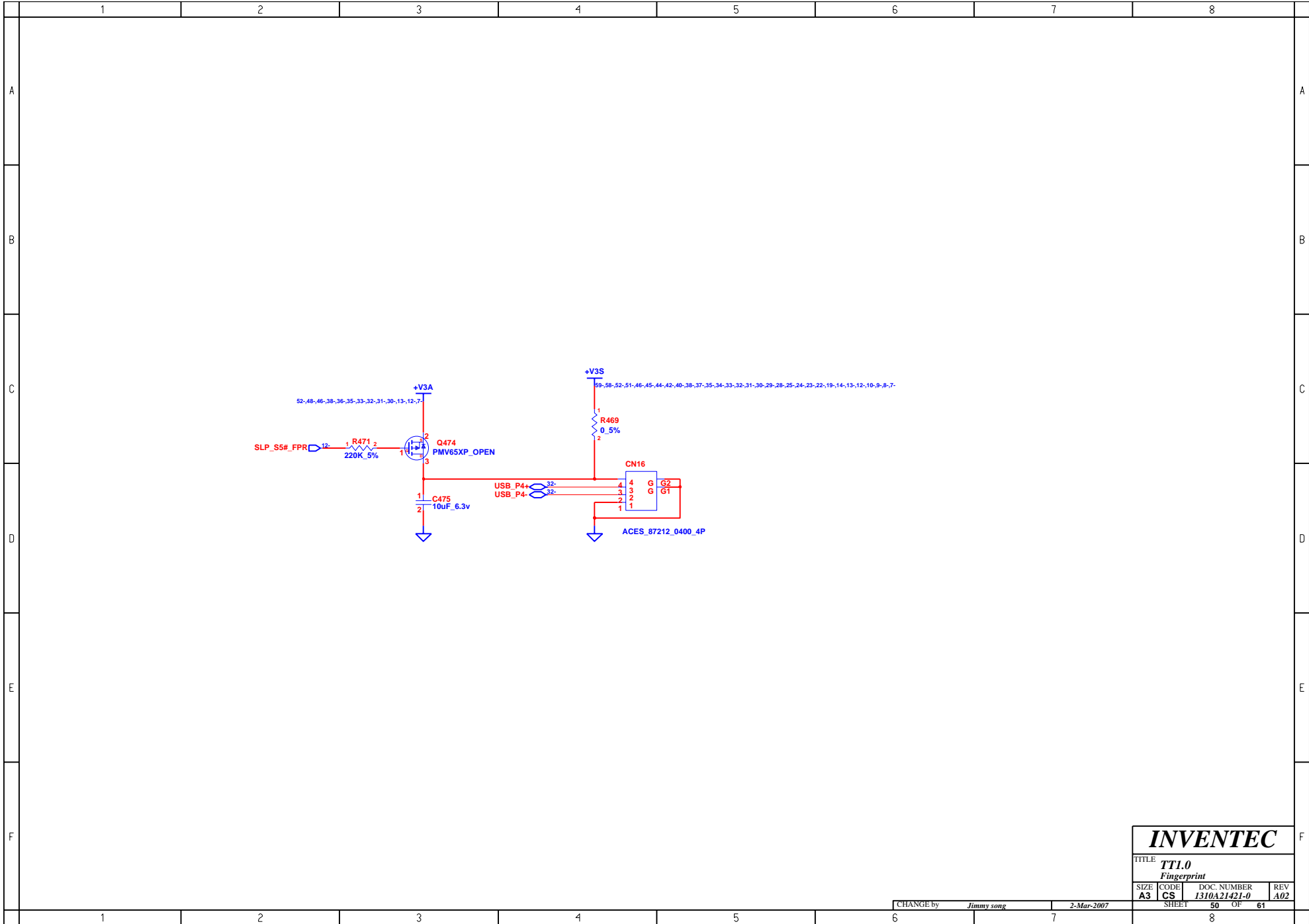


FF only

INVENTEC

TITLE			
TT1.0 DOCKING CONN			
SIZE	CODE	DOC. NUMBER	REV
A3	CS	1310A21421-0	A02
SHEET		48	OF 61





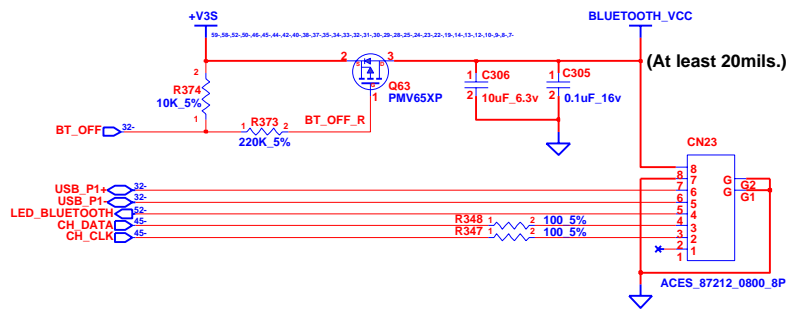
INVENTEC

TITLE *TT1.0 Fingerprint*

SIZE A3	CODE CS	DOC. NUMBER 1310A21421-0	REV A02
----------------	----------------	---------------------------------	----------------

CHANGE by *Jimmy song* 2-Mar-2007

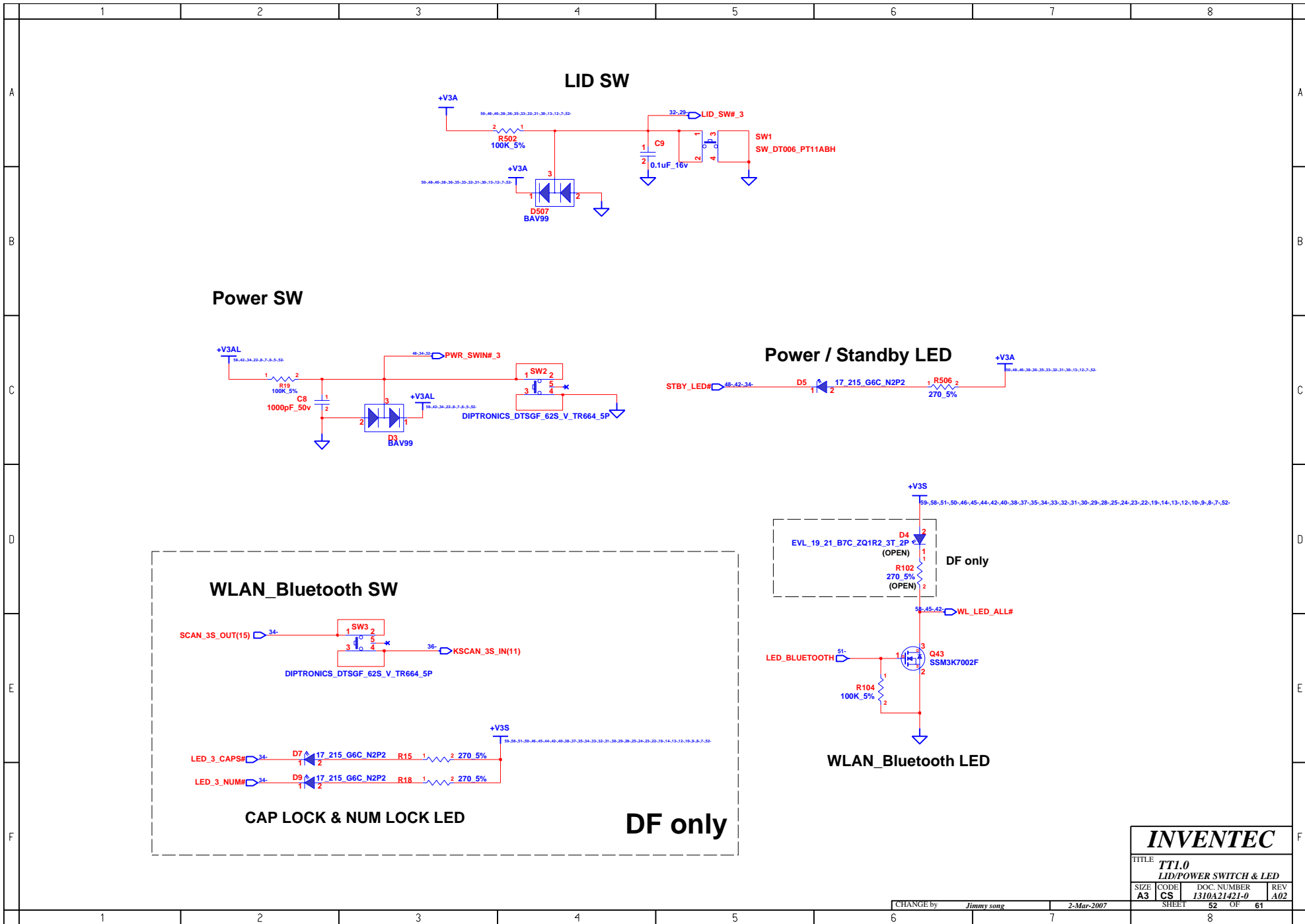
SHEET 50 OF 61



INVENTEC

TITLE			
TT1.0			
BLUETOOTH			
SIZE	CODE	DOC. NUMBER	REV
A3	CS	1310A21421-0	A02
SHEET		OF	
51		61	

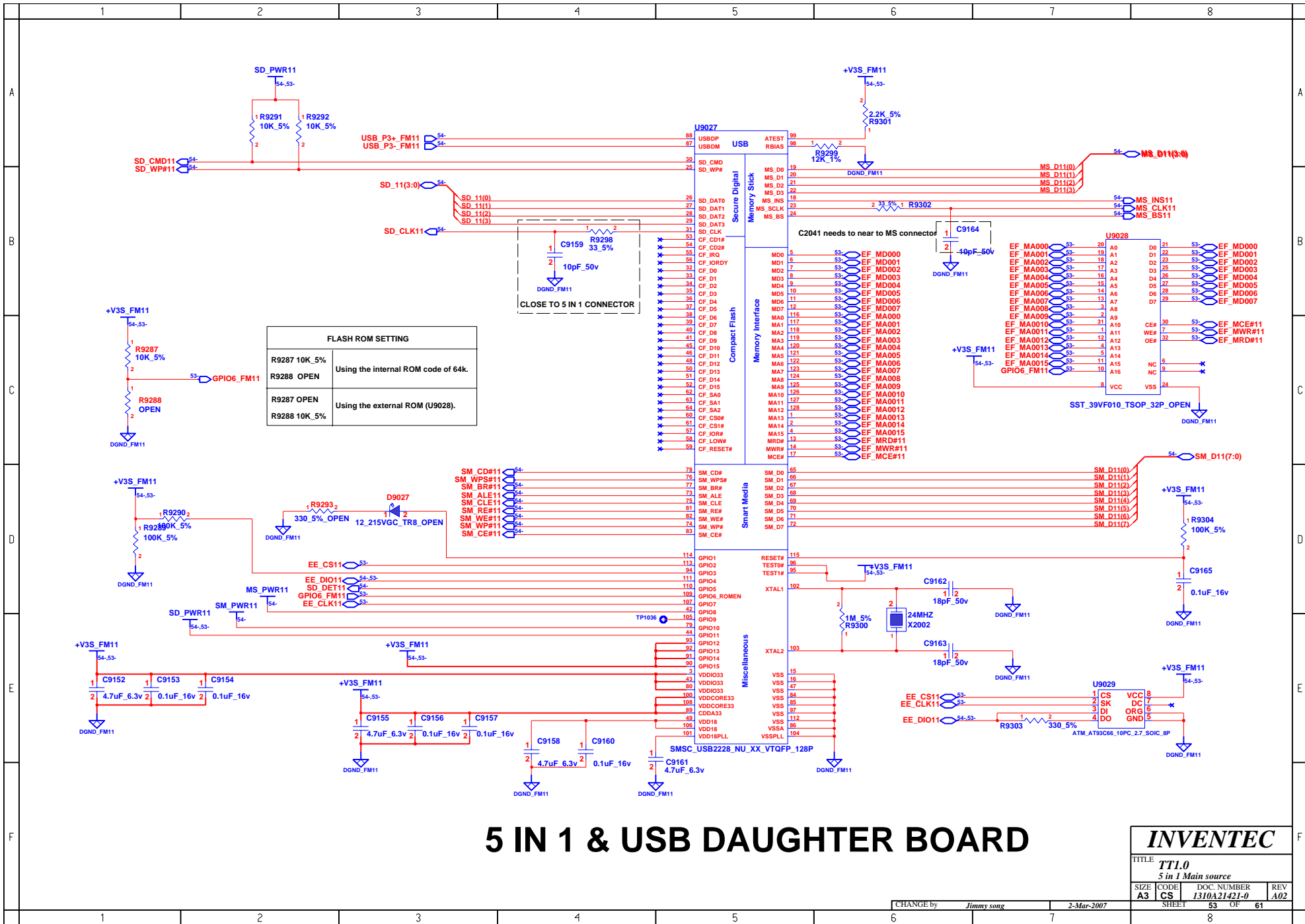
CHANGE by Jimmy song 2-Mar-2007



INVENTEC

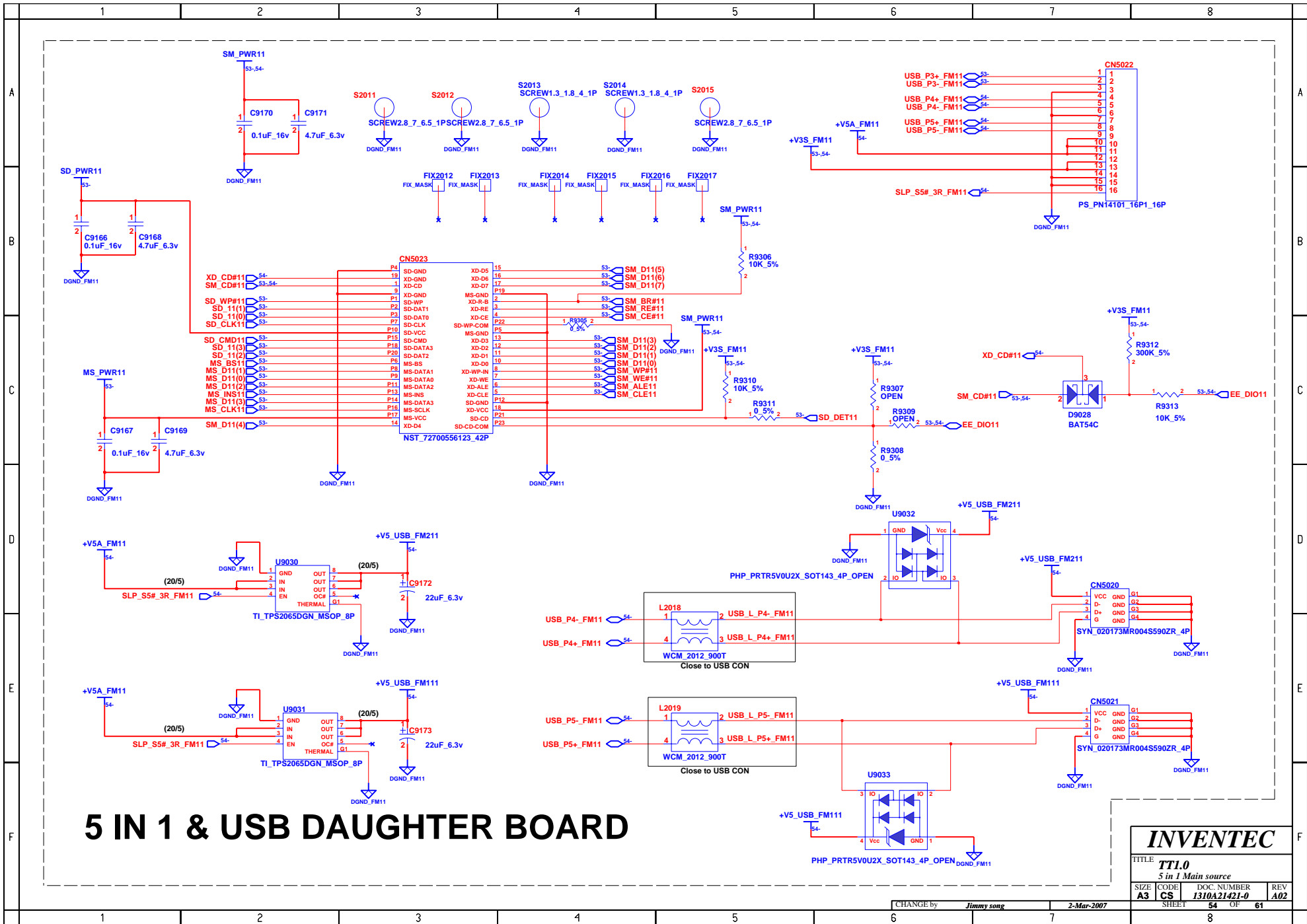
TITLE			
TTL0			
LID/POWER SWITCH & LED			
SIZE	CODE	DOC NUMBER	REV
A3	CS	1310A21421-0	A02

CHANGE by	Jimmy song	2-Mar-2007	SHEET	52	OF	61
-----------	------------	------------	-------	----	----	----



5 IN 1 & USB DAUGHTER BOARD

INVENTEC			
TITLE TT1.0			
5 in 1 Main source			
SIZE A3	CODE CS	DOC. NUMBER I310A21421-0	REV A02
CHANGE by <i>Jimmy song</i>		2-Mar-2007	
SHEET 53		OF 61	

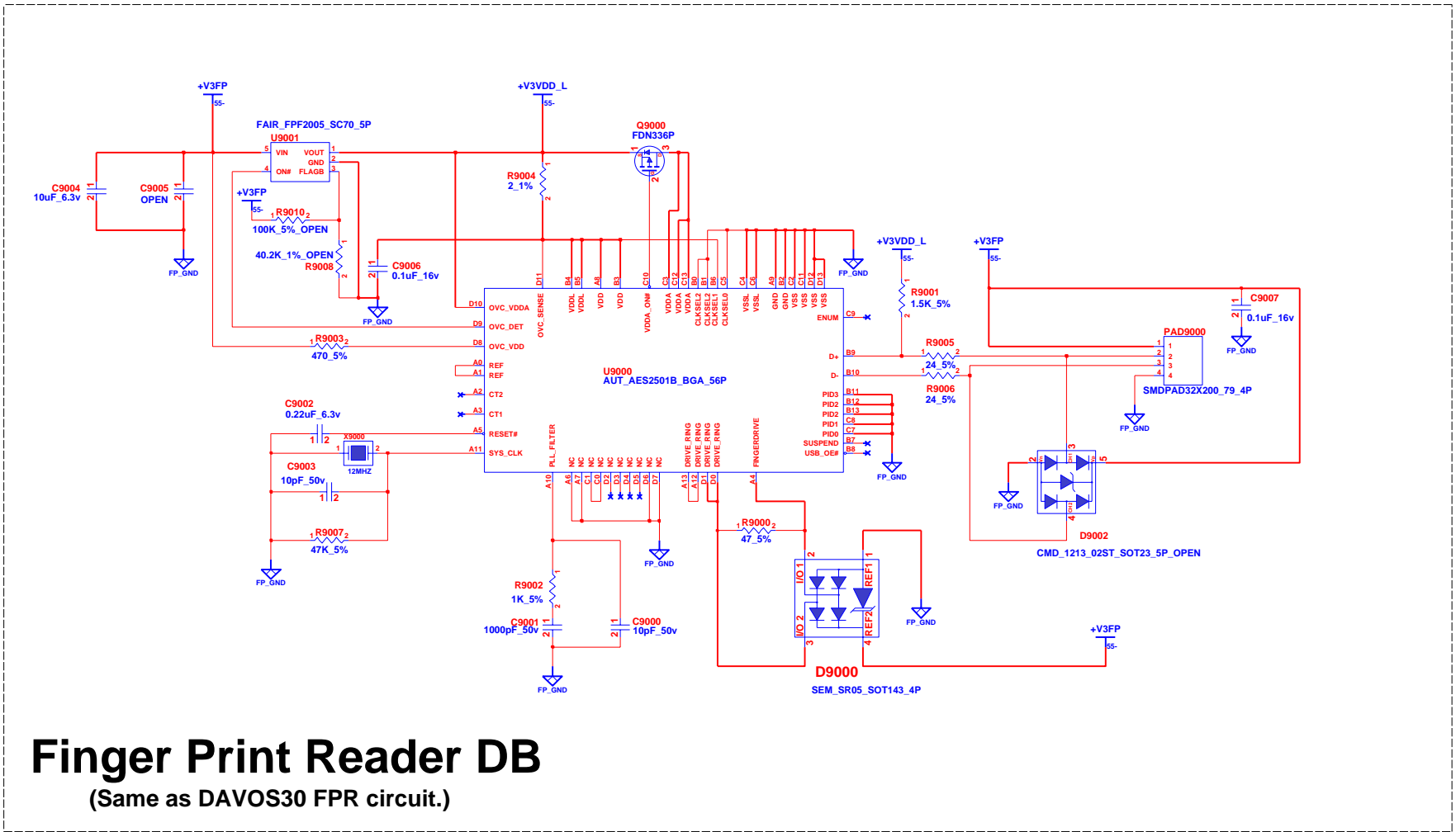


5 IN 1 & USB DAUGHTER BOARD

INVENTEC

TITLE TT1.0			
5 in 1 Main source			
SIZE A3	CODE CS	DOC NUMBER I310A21421-0	REV A02
SHEET 54		OF 61	

CHANGE by *Jimmy song* 2-Mar-2007



Finger Print Reader DB
 (Same as DAVOS30 FPR circuit.)

INVENTEC

TITLE T11.0
 Finger Print board

SIZE A3	CODE CS	DOC. NUMBER 1310A21421-0	REV A02
---------	---------	--------------------------	---------

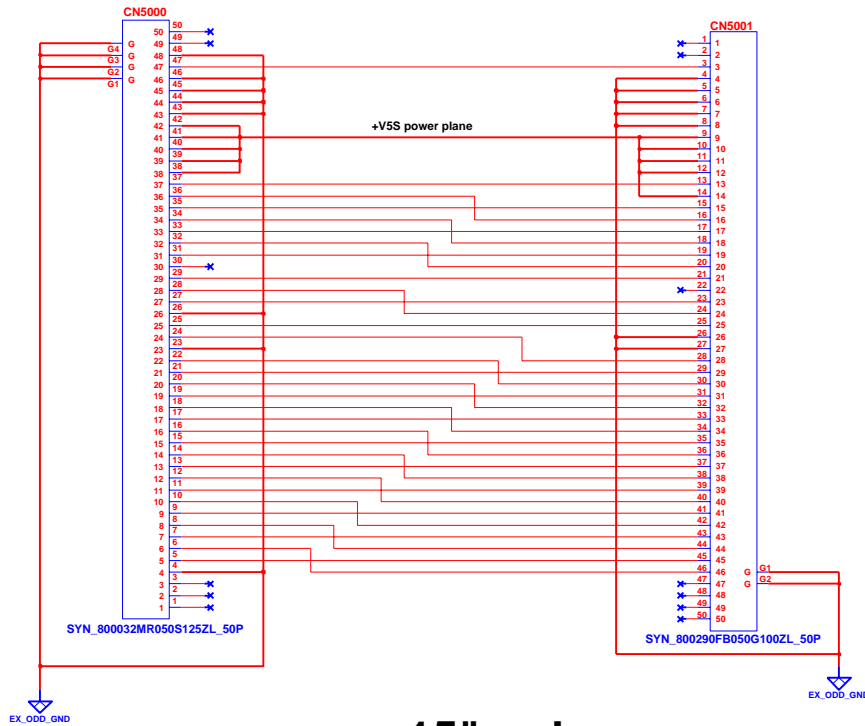
BLANK

INVENTEC

TITLE			
<i>TT1.0</i>			
<i>BLANK</i>			
SIZE	CODE	DOC. NUMBER	REV
A3	CS	1310A21421-0	A02

CHANGE by *Jimmy song* 2-Mar-2007

SHEET 56 OF 61



15" only

ODD Extension Board

INVENTEC

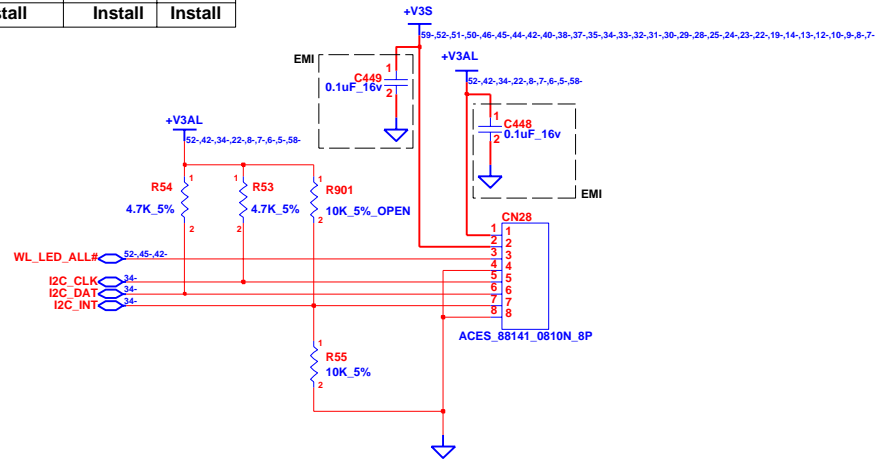
TITLE			
TT1.0			
ODD extension board			
SIZE	CODE	DOC. NUMBER	REV
A3	CS	1310A21421-0	A02
CHANGE by		SHEET	
Jimmy song		OF	
2-Mar-2007		61	
		8	

CHANGE by Jimmy song 2-Mar-2007

SHEET 57 OF 61

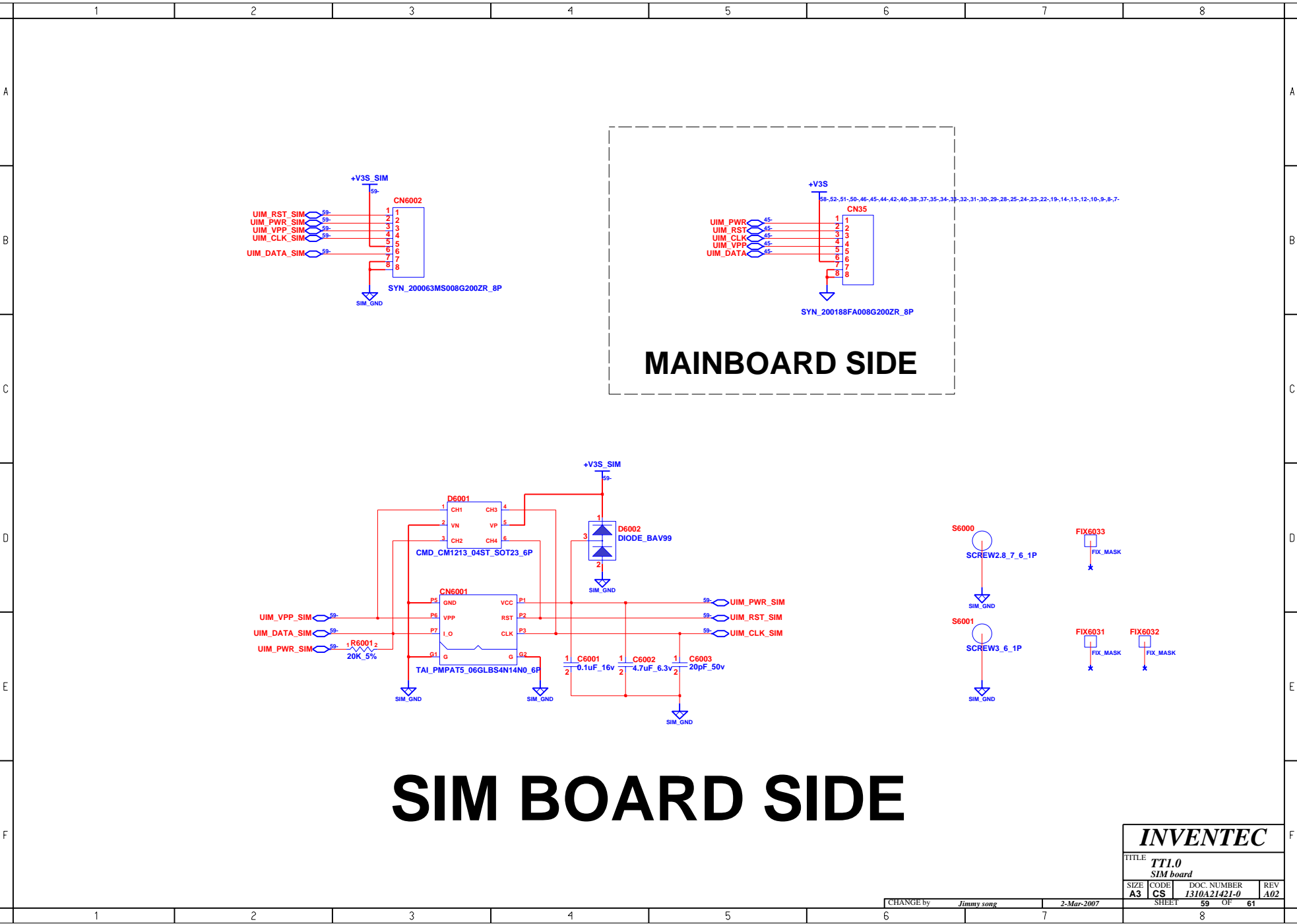
8

	FF+WWAN	DF	FF
CN28,C448,C449	Install	uninstall	Install
R53,R54,R55	Install	Install	Install



INVENTEC

TITLE <i>TTI.0</i>			
SW/B connector			
SIZE	CODE	DOC. NUMBER	REV
A3	CS	1310A21421-0	A02



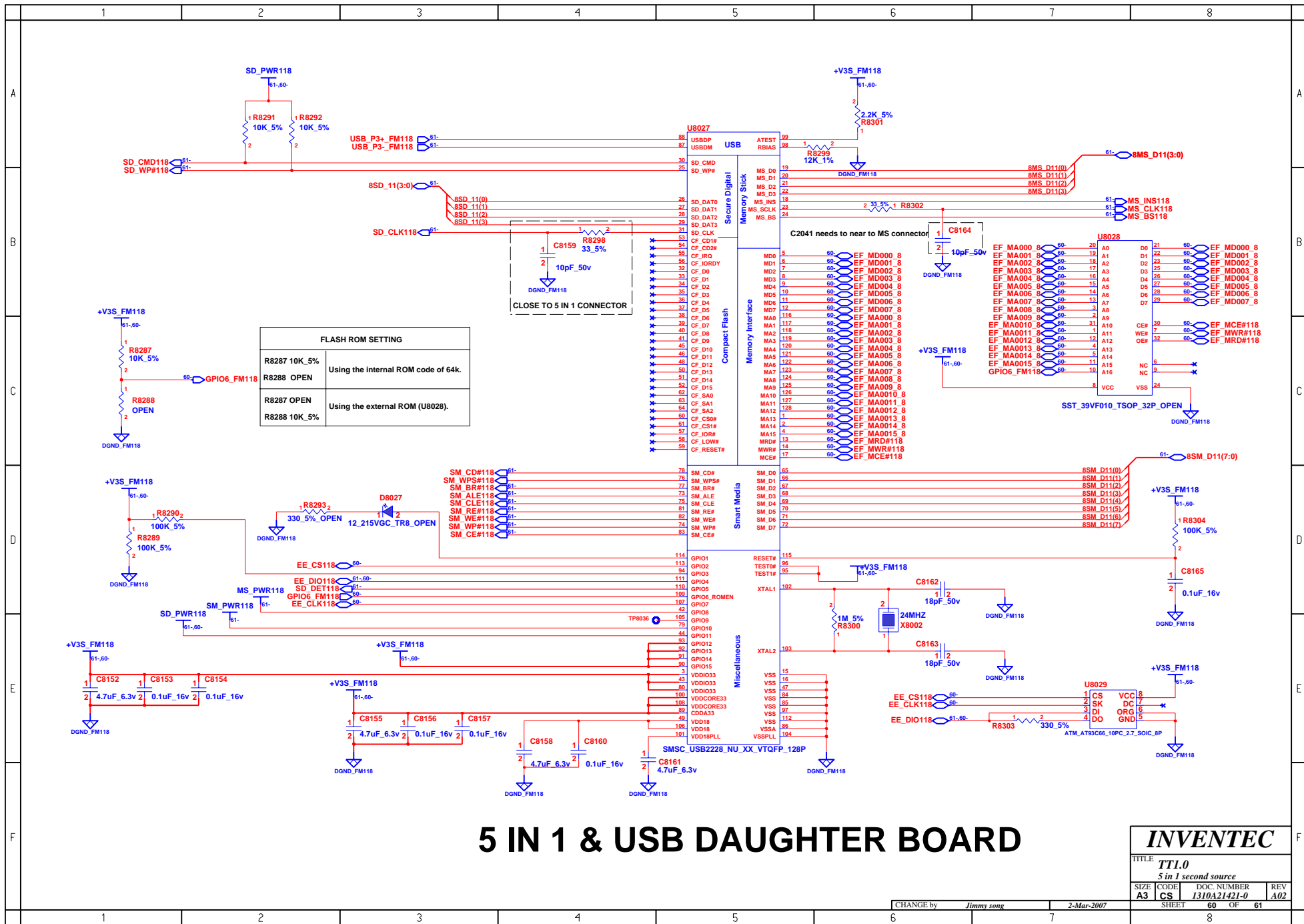
MAINBOARD SIDE

SIM BOARD SIDE

INVENTEC

TITLE			
TT1.0			
SIM board			
SIZE	CODE	DOC. NUMBER	REV
A3	CS	1310A21421-0	A02

CHANGE by Jimmy song 2-Mar-2007 SHEET 59 OF 61



FLASH ROM SETTING	
R8287 10K_5%	Using the internal ROM code of 64k.
R8288 OPEN	
R8287 OPEN	Using the external ROM (U028).
R8288 10K_5%	

5 IN 1 & USB DAUGHTER BOARD

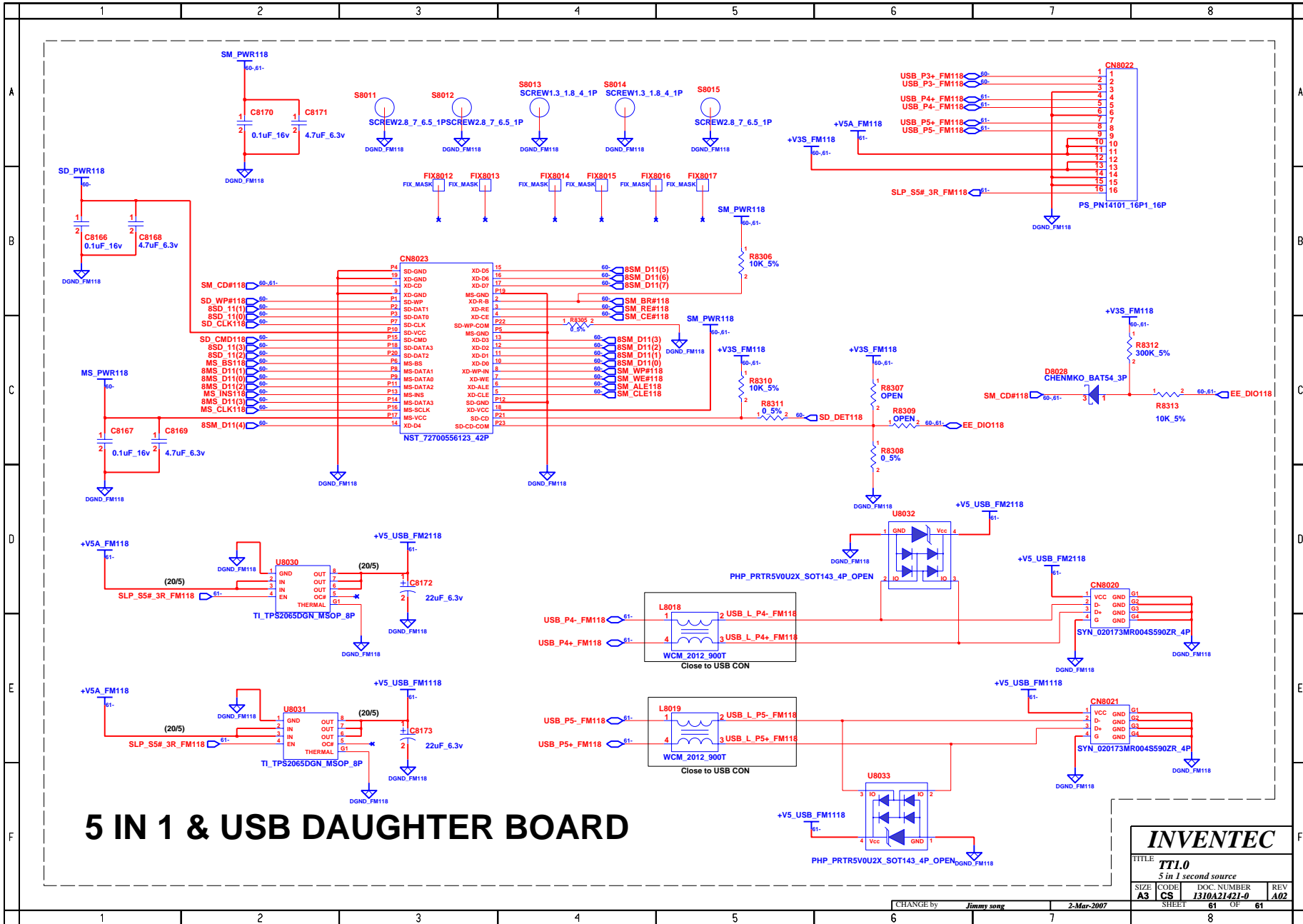
INVENTEC

TITLE
T11.0
5 in 1 second source

SIZE A3	CODE CS	DOC. NUMBER 1310A21421-0	REV A02
------------	------------	-----------------------------	------------

SHEET 60 OF 61

CHANGE by Jimmy song 2-Mar-2007



5 IN 1 & USB DAUGHTER BOARD

INVENTEC

TITLE: **TT1.0**
 5 in 1 second source

SIZE	CODE	DOC. NUMBER	REV
A3	CS	1310A21421-0	A02

SHEET 61 OF 61