

Transistors

silicon low/medium power switching transistors

book 1 parts 1 and 2

Type No.	Outline	Drawing reference	V _{CB0} (V)	V _{CE0} (V)	Maximum Ratings			T _j (°C)	P _{tot} at 25°C (mW)	hFE		f _t (MHz)	V _{CE(sat)}		I _C at I _B		Special Features		
					I _{CM} (mA)	I _{CAV1} (mA)	I _{CAV2} (mA)			min.	max.		I _C	I _B	I _C	I _B	t _{on} max. (ns)	t _{off} max. (ns)	at I _C (mA)
N-P-N SWITCHING TYPES																			
BSS38	TO-92	BB1	120	100	250	100	150	300	20	—	4.0	60	0.7	4	0.4	—	1000	15	
BSW41A	TO-18	AT1	40	25	500	300	200	350	30	—	10	150	0.7	500	35	50	110	300	
BSX19	TO-18	AT1	40	15	500	—	200	360	20	60	10	400	0.3	10	0.6	12	15	10	
BSX20									40	120	10	500	0.3	10	0.3	10	0.3	12	18
BSX21	TO-18	AT1	120	80	250	100	175	300	20	—	4.0	60	0.7	4	0.4	Numerical indicator tube driver			
BSY95A	TO-18	AT1	20	15	200	100	175	300	50	200	10	200	0.35	10	0.2	t _s < 50ns at 10mA			
2N2369	TO-18	AT1	40	15	500	—	200	360	40	120	10	500	0.25	10	1.0	12	18	10	
2N2369A									40	120	10	500	0.20	10	1.0				
BFX34	TO-39	AV3	120	60	5A	2A	200	870	40	150	2A	70	1.0	5A	500	600	1200	5A	
BSV64	TO-39	AV3	100	60	5.0A	2.0A	200	870	40	—	2A	100*	1.0	5A	500	600	1200	5A	
BSW66	TO-39	AV3	100	100	2.0A	1.0A	200	800	40	—	100	80*	0.4	500	50	For relays and other highly inductive load switching applications			
BSW67			120	120									0.4	500	50				
BSW68			150	150										0.5	500				50
BSX59	TO-39	AV3	70	45	—	1.0A	200	800	25	—	500	250	0.3	150	15	35	60	500	
BSX61									25	—	500	250	0.5	150	15	50	100	500	
P-N-P SWITCHING TYPES																			
BSS68	TO-92	BB1	-110	-100	—	100	150	300	30	—	25	50	-0.25	25	2.5	intended for anode switching of numerical indicator tubes			
2N2904	TO-39	AV3	-60	-40	—	600	200	600	40	120	150	200	-0.4	150	15	45	100	150	
2N2904A			-60	-60															
2N2905	TO-39	AV3	-60	-40	—	600	200	600	100	300	150	200	-0.4	150	15	45	100	150	
2N2905A			-60	-60															
2N2906	TO-18	AT1	-60	-40	—	600	200	400	40	120	150	200	-0.4	150	15	45	100	150	
2N2906A			-60	-60															
2N2907	TO-18	AT1	-60	-40	—	600	200	400	100	300	150	200	-0.4	150	15	45	100	150	
2N2907A			-60	-60															

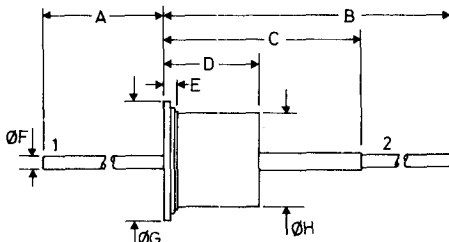
*Typical

OUTLINES and DIMENSIONS (millimetres)

A

B.S.3934 SO-16

DO-1
DO-2
DO-3

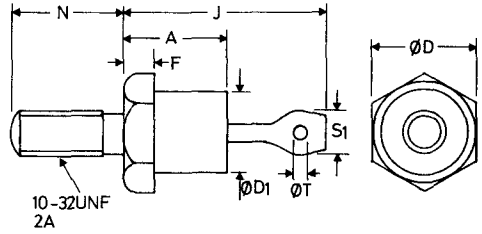


	1	2	A	B	C	D	E	ØF	ØG	ØH
	min.	max.	min.	max.	min.	max.	min.	max.	max.	max.
A1	a	k	35	51	17	7.7	1.6	1.1	9.6	7.1
A2	k	a	35	49	17	8.5	1.9	1.1	9.7	7.1
A3	k	a	35	51	17	7.7	1.6	1.1	9.6	7.1

B

B.S.3934 SO-10

DO-4



A 10.3 max.
 ØD 11.1 max.
 ØD1 9.3 max.
 F 3.2

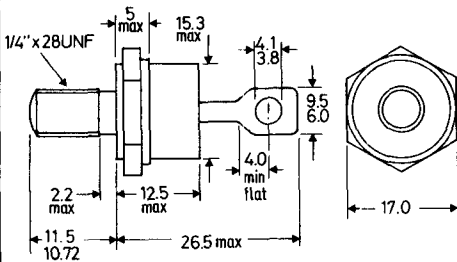
J 20.3 max.
 N 11.5 max.
 S1 4.8 max.
 ØT 1.6 min.

	Stud	Eyelet
B1	k	a
B2	a	k

C

B.S.3934 SO-13

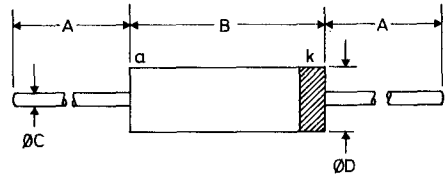
DO-5



	Stud	Eyelet
C1	k	a
C2	a	k

D

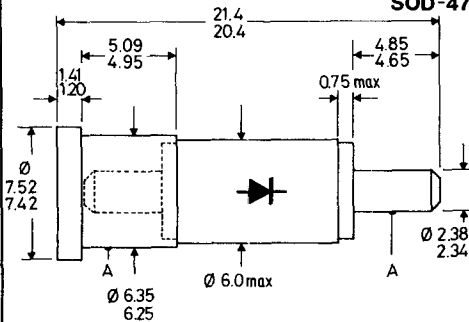
DO-7
DO-14
DO-15



		A	B	ØC	ØD
		min.	max.	nom.	max.
D1	DO-7	25.4	7.6	0.52	2.5
D2	DO-14	25.4	7.6	0.5	3.3
D3	DO-15	25.4	6.4	0.8	3.2

E

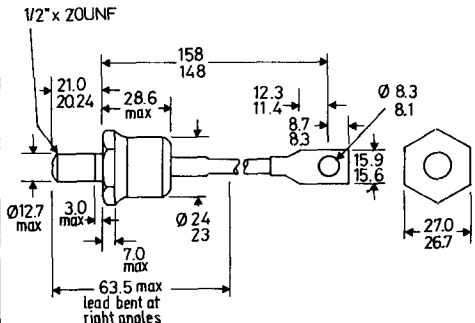
DO-22
SOD-47



A = concentricity tolerance = ± 0.20

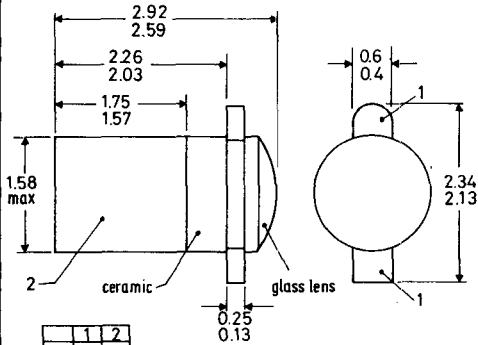
F

DO-30



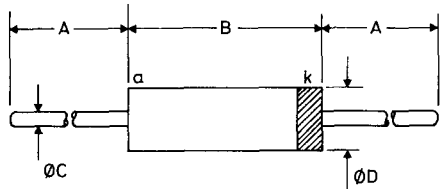
BZW86 Blue sleeve - anode to eyelet
 BZW86R Red sleeve - anode to stud

These drawings give limited information for quick reference purposes. For equipment design more complete information should be obtained from individual data sheets in the Technical Handbook or from standard B.S. or JEDEC outline drawings.

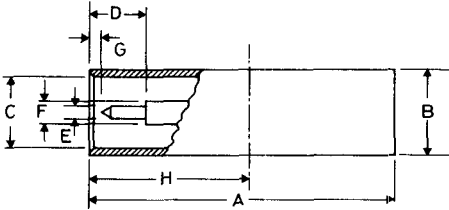
G**DO-31**

	1	2
G1	k	a
G2	e	c

For LED's the overall length = 3.60/2.97

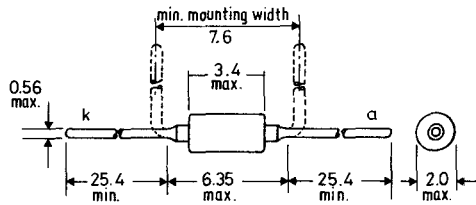
H**DO-35**

A	B	ØC	ØD
min.	max.	max.	max.
25.4	4.25	0.56	1.85

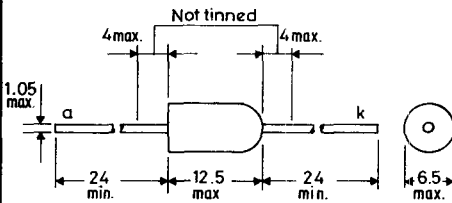
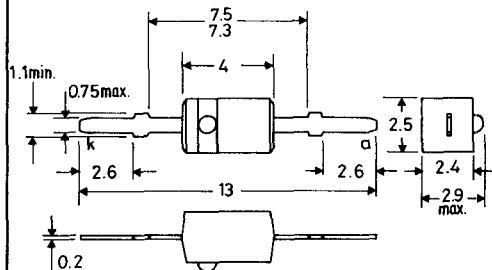
J**DO-37
SOD-49**

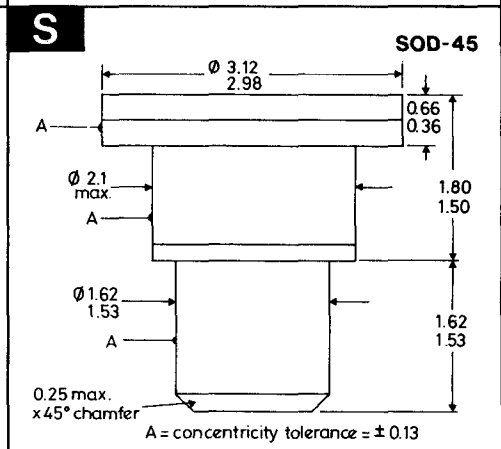
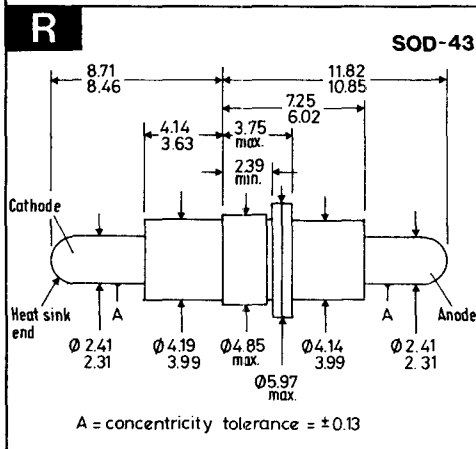
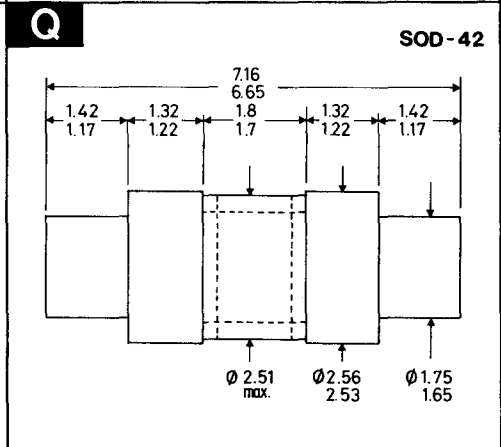
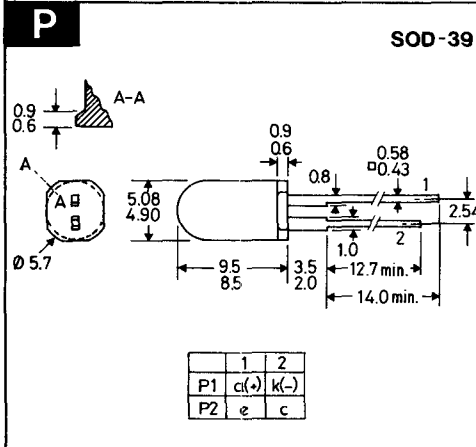
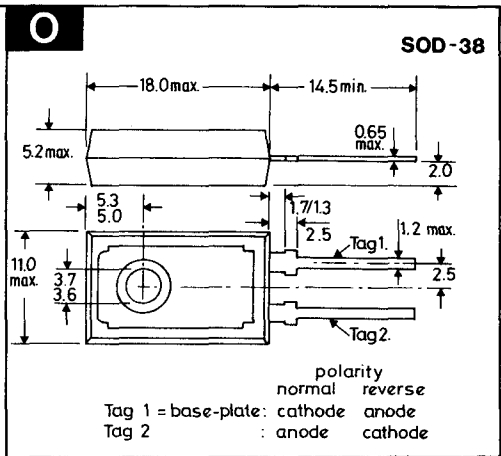
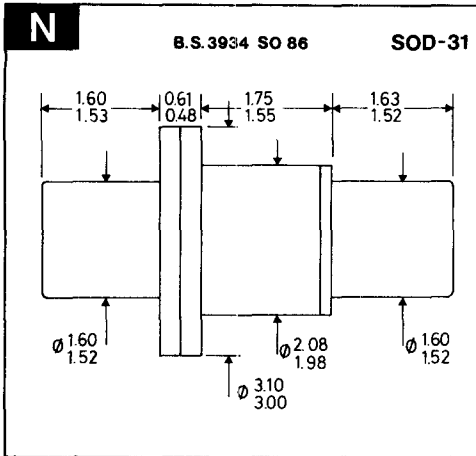
A	19.43/18.67	ØE	0.84/0.79
ØB*	5.59/5.49	ØF	1.57/1.52
ØC	4.80/4.72	G	0.71/0.15
D	3.73 min.	H	10.32 nom.

*These tolerances apply only over H

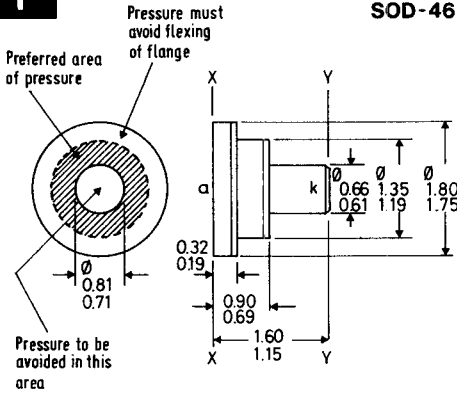
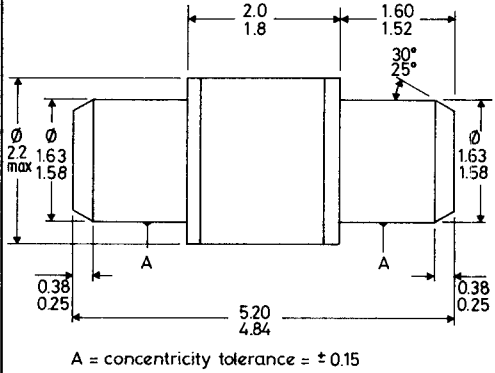
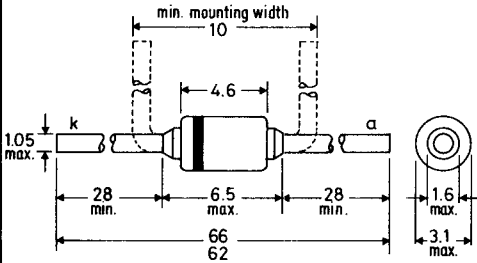
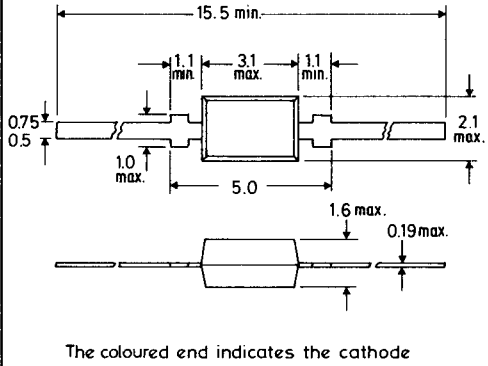
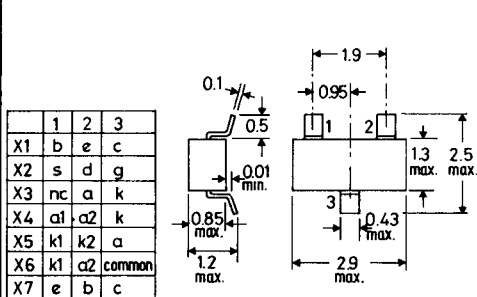
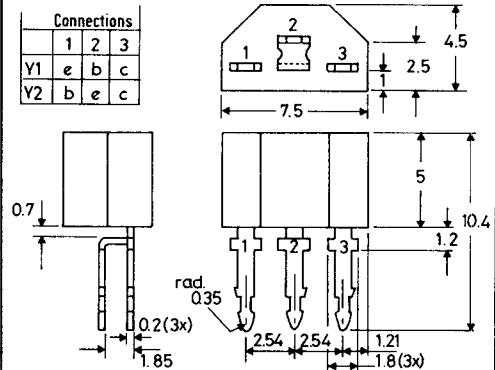
K**SOD-17**

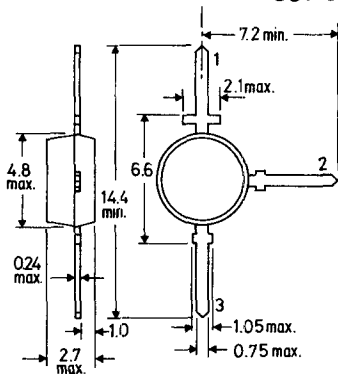
Cathode indicated by the broad band of colour code

L**SOD-18****M****SOD-23**

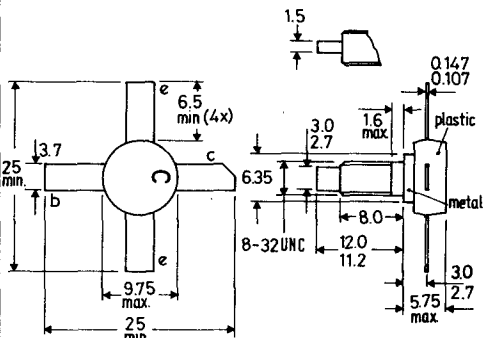
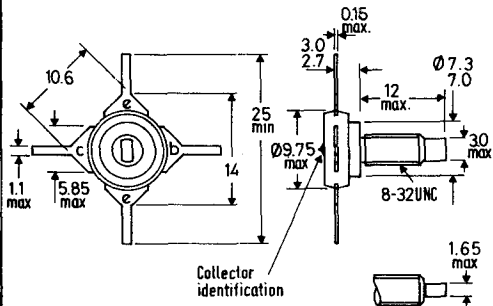
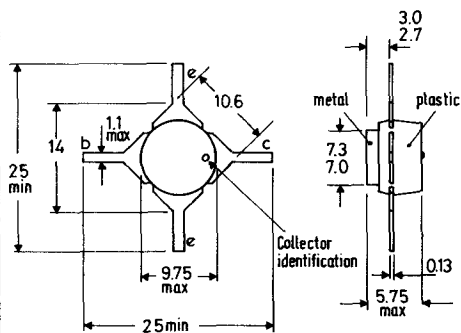
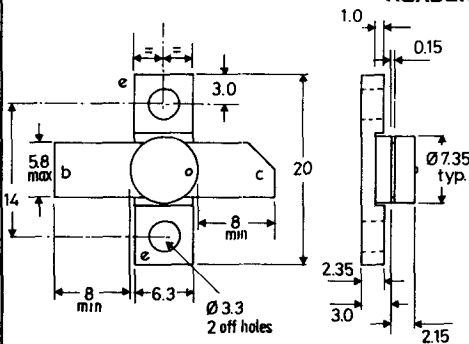
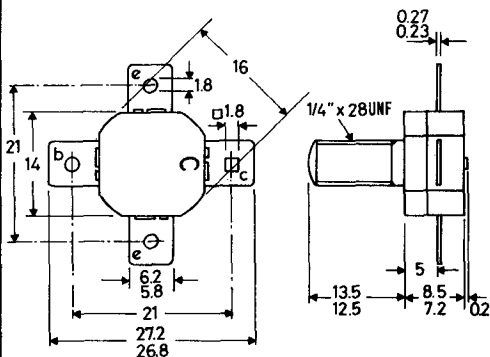


These drawings give limited information for quick reference purposes. For equipment design more complete information should be obtained from individual data sheets in the Technical Handbook or from standard B.S. or JEDEC outline drawings.

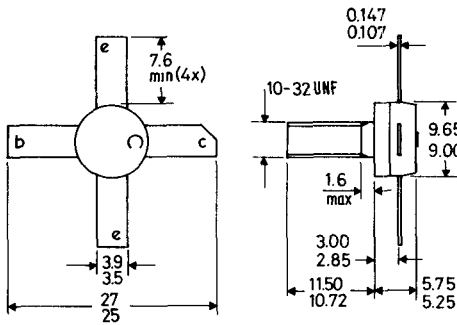
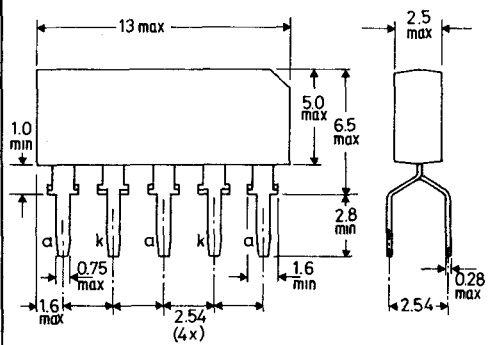
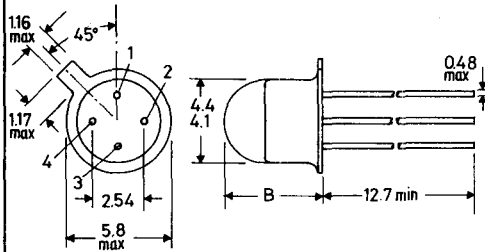
T**SOD-46****U****SOD-50****V****SOD-51****W****SOD-52****X****SOT-23****Y****SOT-25**

Z**SOT-37**

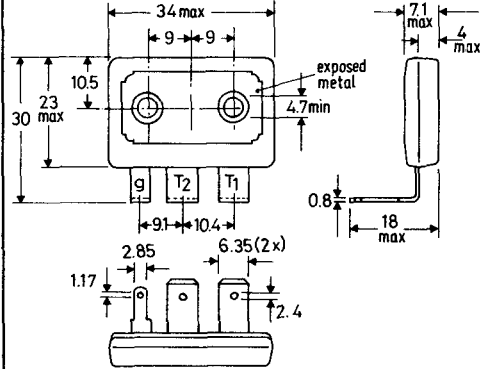
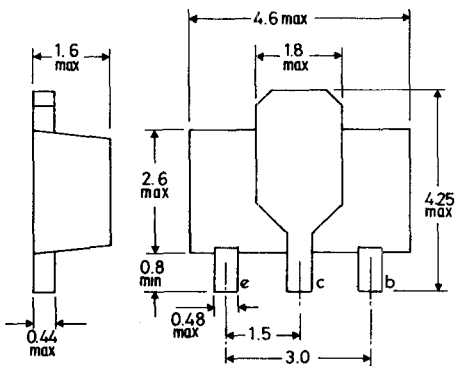
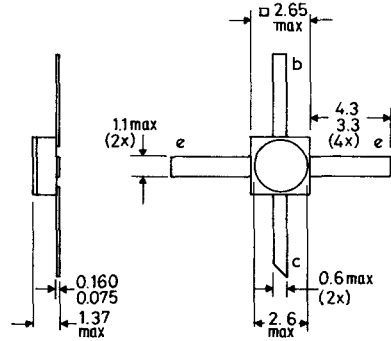
	1	2	3
Z1	c	b	e
Z2	c	e	b

AC**SOT-48/2****AD****SOT-48/3****AE****SOT-48/4****AF****SOT-48
HEADER****AG****SOT-55**

These drawings give limited information for quick reference purposes. For equipment design more complete information should be obtained from individual data sheets in the Technical Handbook or from standard B.S. or JEDEC outline drawings.

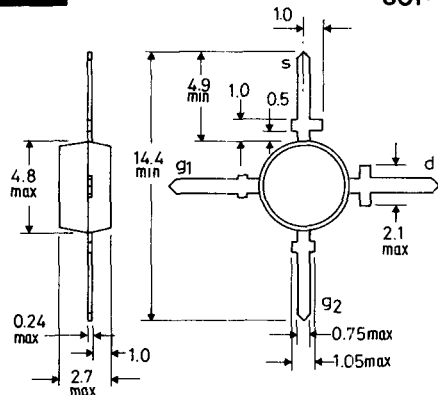
AH**SOT-56****AJ****SOT-60****AK****SOT-70**

	1	2	3	4	B max
AK1	a	—	k	—	5.08
AK2	e	b	c	—	4.5
AK3	Vp	IP	GND	OP	5.08

AL**SOT-80****AM****SOT-89****AN****SOT-100**

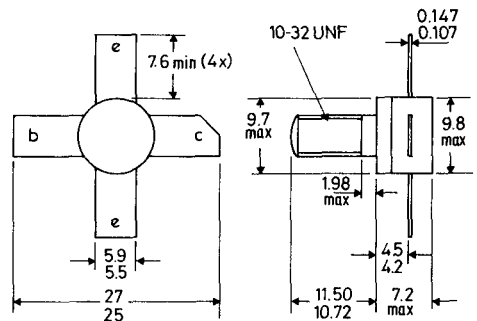
AO

SOT-103



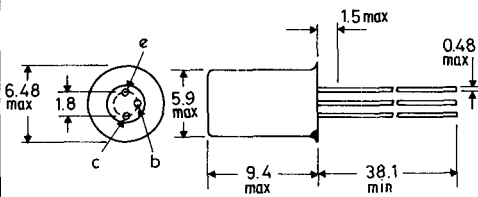
AP

SOT-105



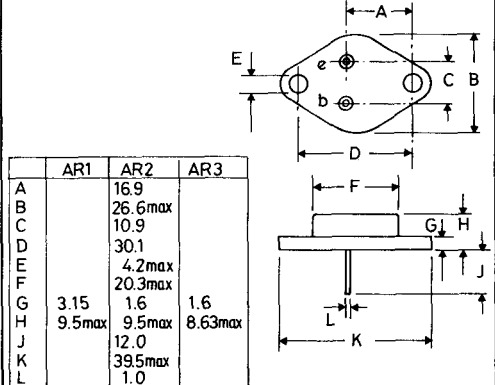
AQ

B.S.3934 SO-21/SB3-10 TO-1



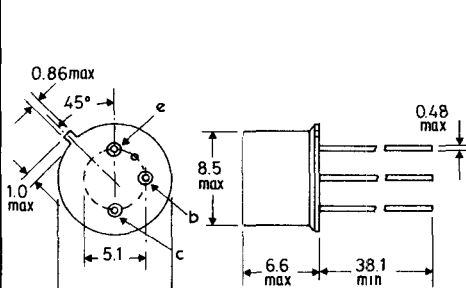
AR

B.S.3934 SO-5B/SB2-2 TO-3



AS

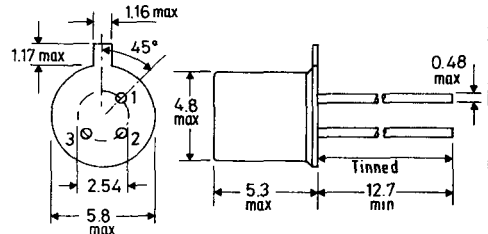
B.S.3934 SO-3/SB3-3B TO-5



AS1: collector connected to case
AS2: base connected to case

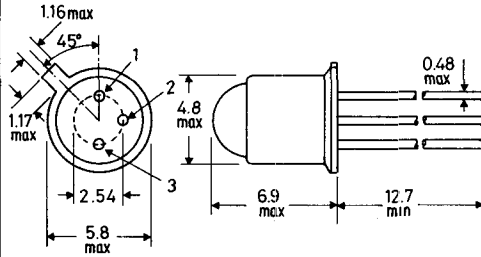
AT

B.S.3934 SO-12A/SB3-6A TO-18

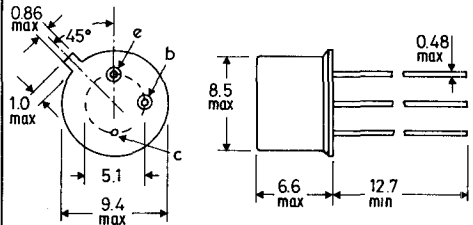


	1	2	3
AT1	e	b	c + env.
AT2	s	d	g + env.
AT3	d	g	s + env.
AT4	k	-	a
AT5	a	-	k
AT6	k	-	a

These drawings give limited information for quick reference purposes. For equipment design more complete information should be obtained from individual data sheets in the Technical Handbook or from standard B.S. or JEDEC outline drawings.

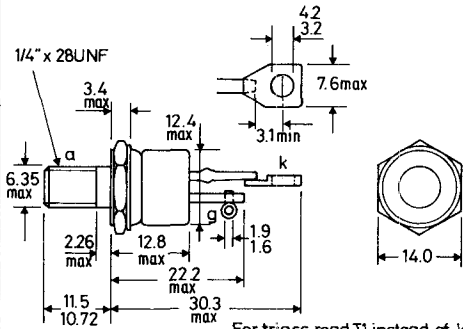
AU**TO-18**
(with lens)

	1	2	3
AU1	a	a	k
AU2	e	b	c+case
AU3	k	-	a

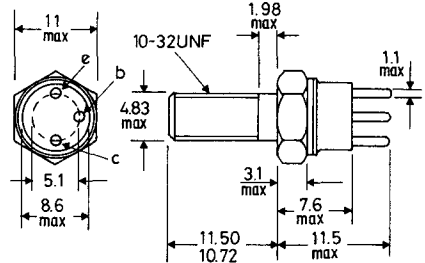
AV**B.S.3934 SO-3/SB3-3A TO-39**

AV1: b+case
 AV2: case isolated
 AV3: c+case
 AV4: e.cathode
 b.gate
 c.anode+case

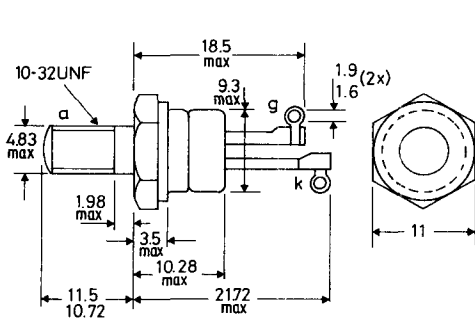
AV5: e.b. cell connections
 AV6: red spot indicates
 +ve connection

AW**B.S.3932 SO-36 TO-48**

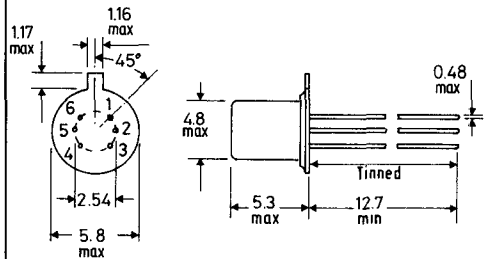
For triacs read T1 instead of k
 T2 instead of a

AX**TO-60**

Emitter connected to envelope

AY**B.S.3934 SO-35A TO-64**

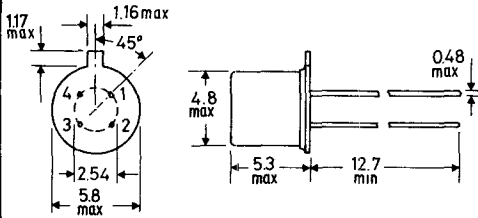
For triacs read T1 instead of k
 T2 instead of a

AZ**TO-71**

Pin	1	2	3	4	5	6
AZ1	e1	e2	c2	b2	b1	c1
AZ2	s1	d1	g1	s2	d2	g2

BA

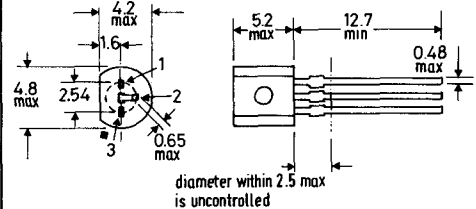
B.S.3934 SO-12A/SB4-3 TO-72



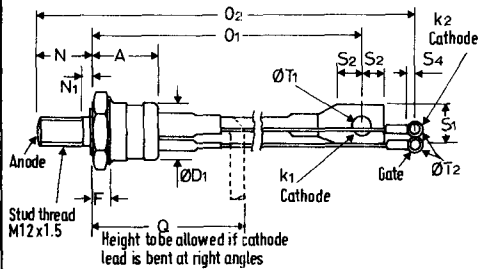
	1	2	3	4
BA1	b	e	c	s+envelope
BA2	e	b	c	s+envelope
BA3	s	d	g	screen+envelope
BA4	d	g	g	s+b+envelope
BA5	d	s	g	b+envelope
BA6	k	gk	ga	a

BBTO-92
variant

Pin	1	2	3
BB1	e	b	c
BB2	b	e	c
BB3	d	s	g
BB4	g	a	k
BB5	b	c	e

**BC**

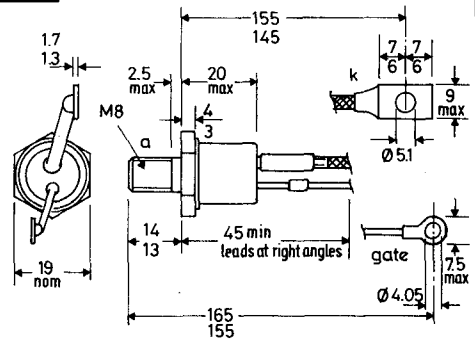
B.S.3934 SO-30C TO-94



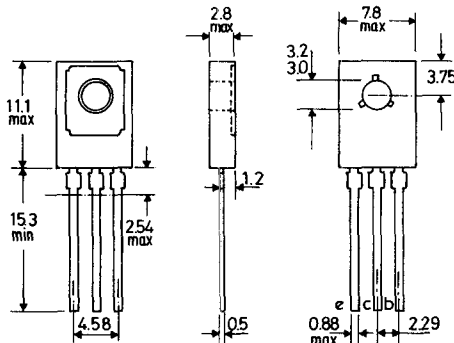
A	28.5max	O1	158 max	S4	3.8 min
ØD1	24.1max	O2	190max	ØT1	8.3max
F	8.9max	Q	63.5max	ØT2	4.2max
N	21.0max	S1	16.5max		
N1	3.0max	S2	9.6min		

BD

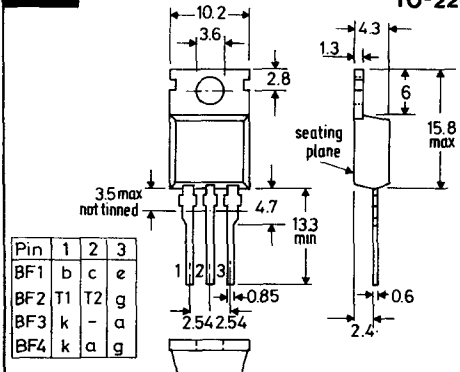
TO-103

For triacs read T1 instead of k
T2 instead of a**BE**

TO-126

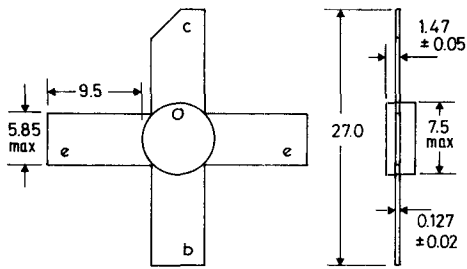
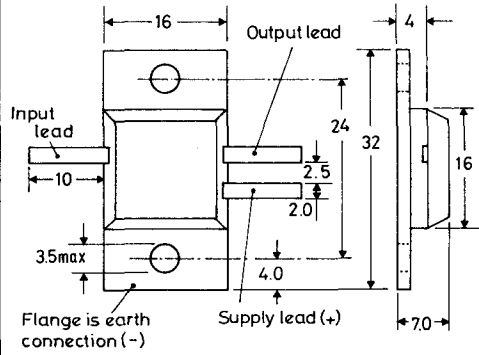
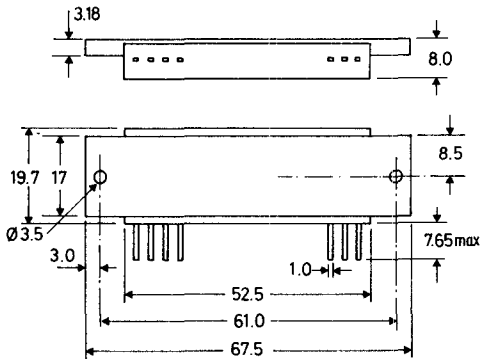
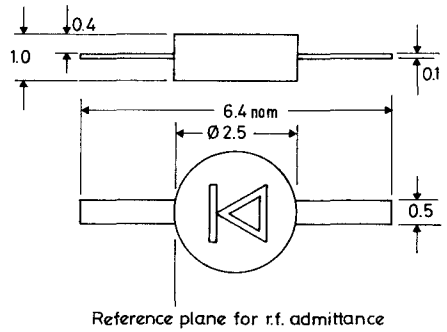
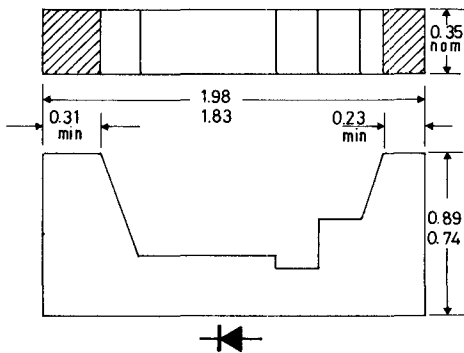
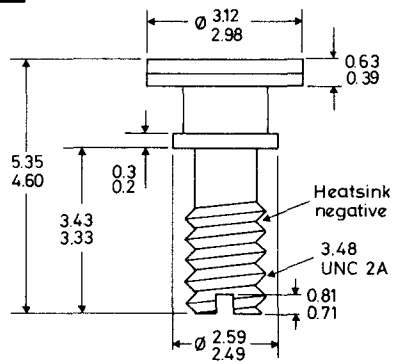
**BF**

TO-220



Pin	1	2	3
BF1	b	c	e
BF2	T1	T2	g
BF3	k	-	a
BF4	k	a	g

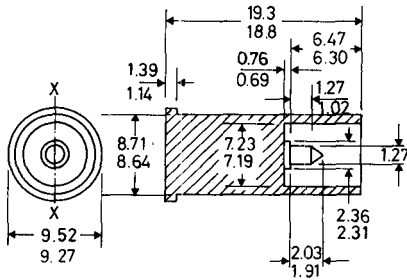
These drawings give limited information for quick reference purposes. For equipment design more complete information should be obtained from individual data sheets in the Technical Handbook or from standard B.S. or JEDEC outline drawings.

BG**BH****BJ****BK****BL****BM**

BN

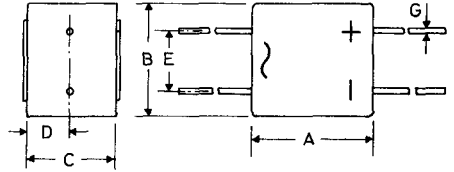
B.S.3934

SO-26

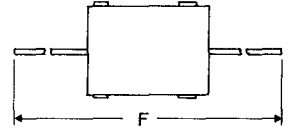


(All dimensions max.)

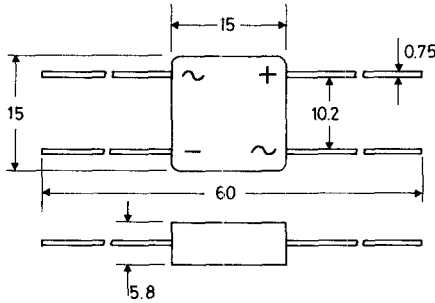
BO



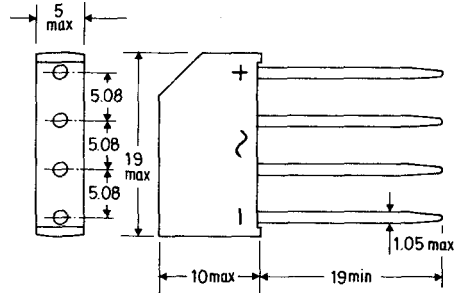
	BO1	BO2	BO3
A	12	20	12
B	10	19	10
C	8	15	8
D	4	7.5	4
E	5	10	5
F	58	60	48
G	0.75	1.0	1.1



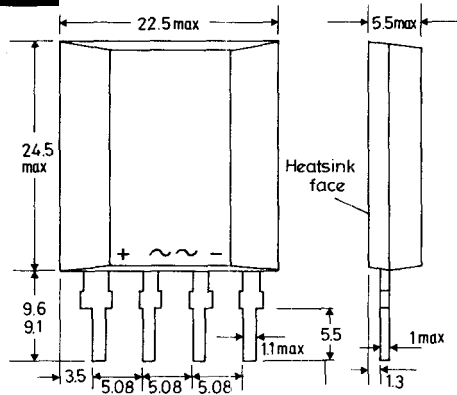
BP



BQ



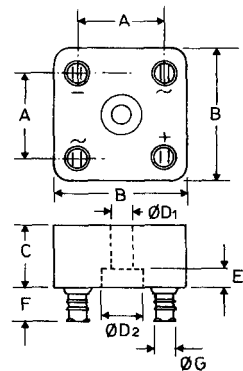
BR



Heatsink face

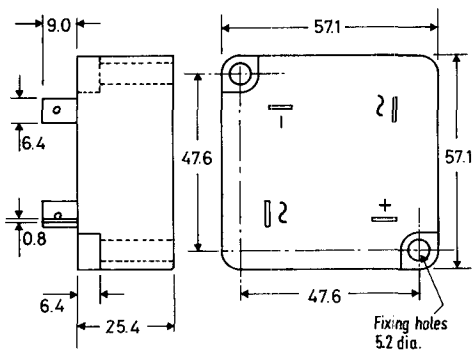
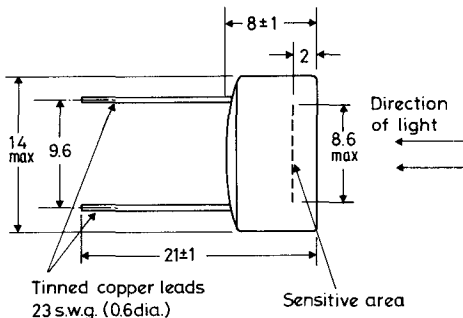
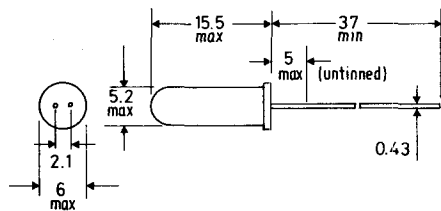
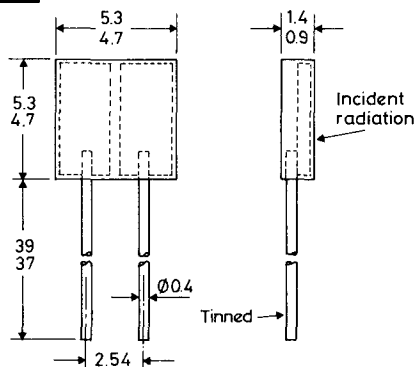
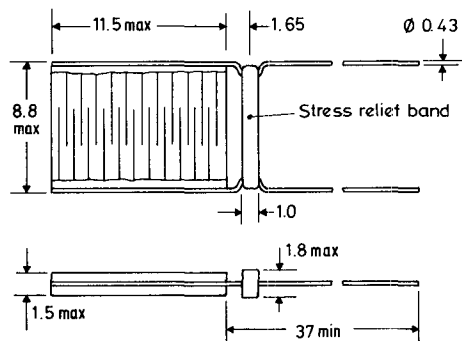
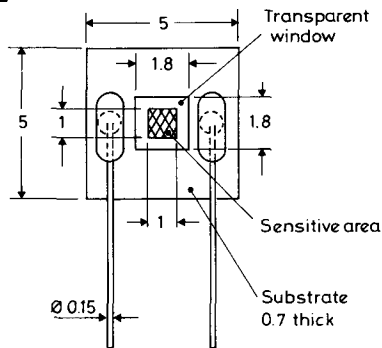
BS

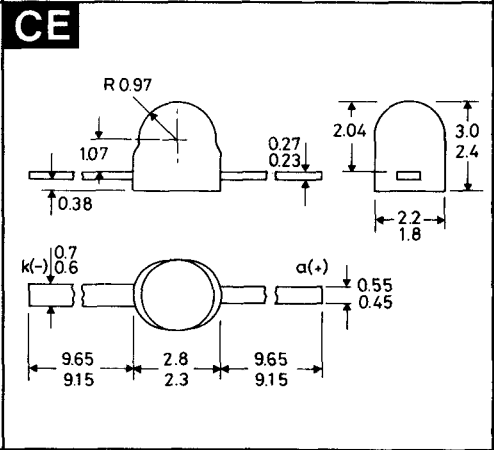
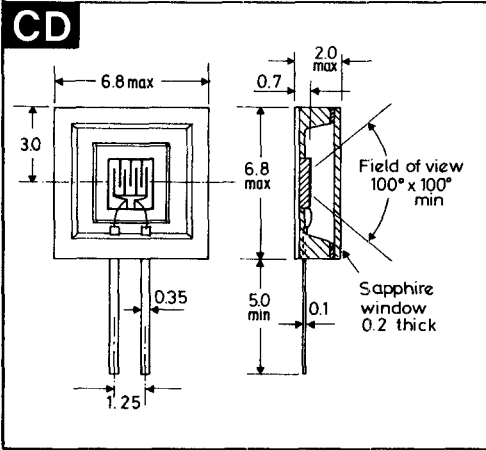
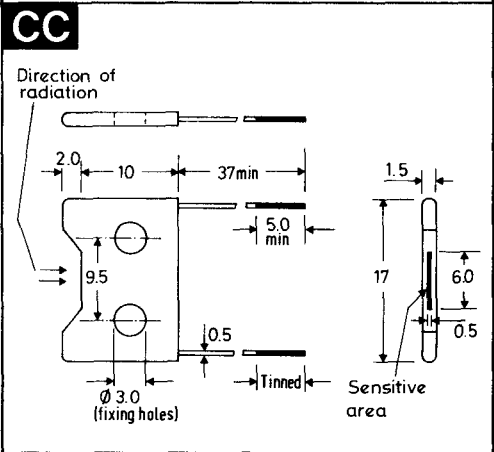
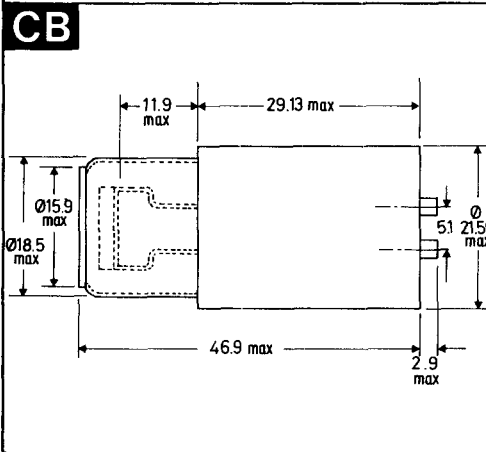
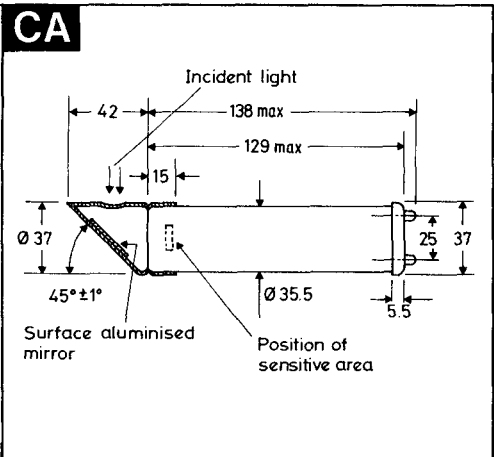
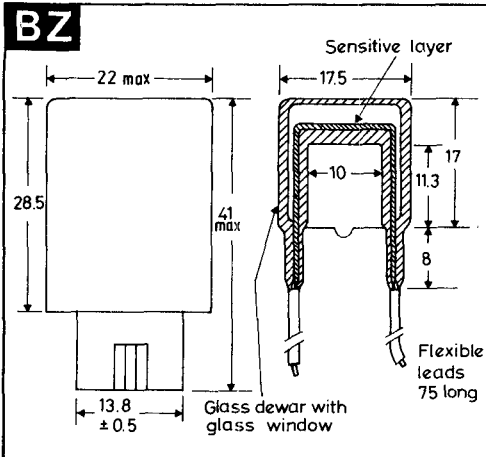
B.S.3934 SO-67



	BS1	BS2
	typ.	max.
A	23	21
B	35	34.6
C	17	15.2
ØD1	5	5.05
ØD2	11	11
E	5	3.7
F	9	9
ØG	4.8	4.8

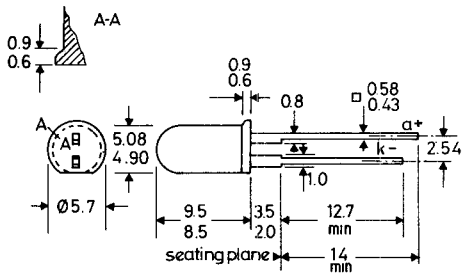
These drawings give limited information for quick reference purposes. For equipment design more complete information should be obtained from individual data sheets in the Technical Handbook or from standard B.S. or JEDEC outline drawings.

BT**BU****BV****BW****BX****BY**

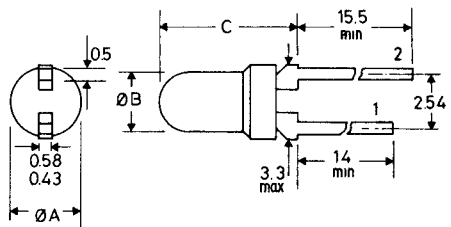


These drawings give limited information for quick reference purposes. For equipment design more complete information should be obtained from individual data sheets in the Technical Handbook or from standard B.S. or JEDEC outline drawings.

CF

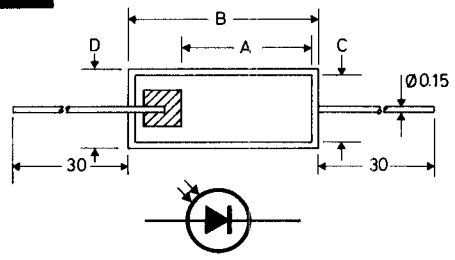


CG



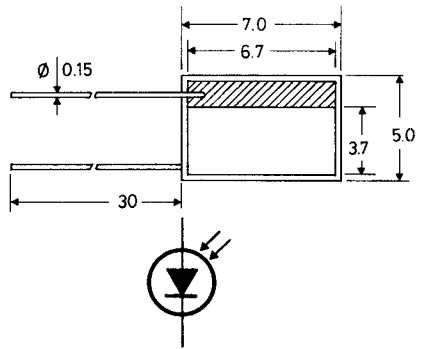
	1	2	$\varnothing A$	$\varnothing B$	C
CG1	k(-)	a(+)	3.0-3.17	2.4-2.6	5.8-6.3
CG2	a(+)	k(-)	3.0-3.17	2.4-2.6	5.8-6.3
CG3	k(-)	a(+)	3.3 max	2.65-3.17	4.8-6.3

CH

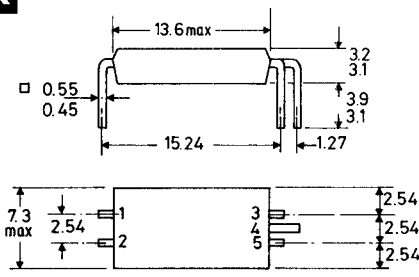


	CH1	CH2
A	2.2	3.5
B	3.35	4.55
C	0.95	1.85
D	1.25	2.15

CJ

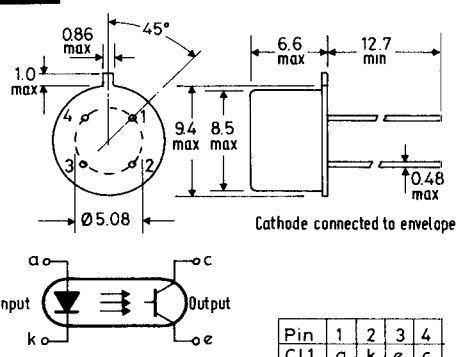


CK



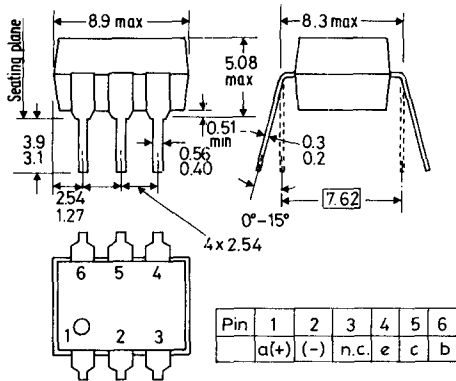
Pin	1	2	3	4	5
CK1	a	k	b	c	e
CK2	k	a	e	omitted	c

CL

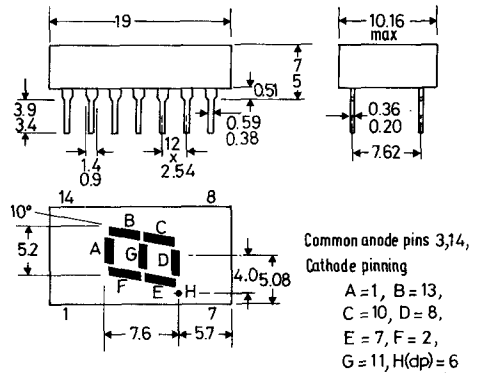


Pin	1	2	3	4
CL1	a	k	e	c
CL2	e	c	a	k

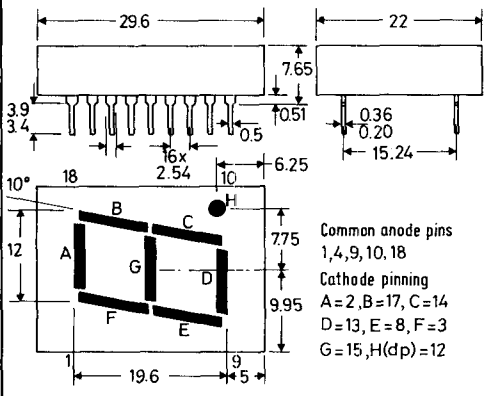
CM



CN



CO



These drawings give limited information for quick reference purposes. For equipment design more complete information should be obtained from individual data sheets in the Technical Handbook or from standard B.S. or JEDEC outline drawings.