



A Selection of Hittite Components for

MICROWAVE & MMWAVE

Analog, Digital & Mixed-Signal ICs, Modules, Subsystems & Instrumentation

MICROWAVE & MILLIMETERWAVE RADIO; 6 to 42 GHz, Backhaul Radio Links, Multi-Pt Radios & VSAT

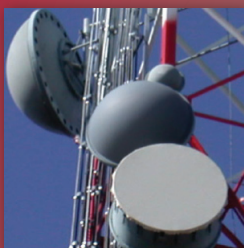
Function	6 / 7 / 8 GHz	10 / 11 GHz	13 / 15 GHz	18 / 23 GHz	26 GHz	38 / 42 GHz
Low Noise Amplifier	HMC392LC4 HMC392LH5 HMC564 HMC564LC4 HMC565 HMC565LC5 HMC902 HMC902LP3E HMC903 HMC903LP3 HMC962LC4 HMC963LC4 HMC1049	HMC516LC5 HMC564 HMC564LC4 HMC565 HMC565LC5 HMC-C059 HMC903 HMC903LP3 HMC962LC4 HMC963LC4 HMC1049	HMC504LC4B HMC516LC5 HMC565 HMC565LC5 HMC903 HMC903LP3 HMC962LC4 HMC963LC4 HMC1049	HMC341LC3B HMC504LC4B HMC517LC4 HMC519 HMC519LC4 HMC565 HMC565LC5 HMC751LC4 HMC962LC4 HMC963LC4 HMC1049 HMC1040LP3E	HMC1040LP3E	HMC1040LP3E
Driver Amplifier	HMC441LP3E HMC451LC3 HMC516LC5	HMC441LP3E HMC451LC3 HMC451LP3E HMC516LC5	HMC441LC3B HMC451LC3 HMC451LP3E HMC490LP5E	HMC383LC4 HMC442LC3B HMC451LP3E HMC498LC4 HMC635 HMC635LC4	HMC635LC4 HMC-AUH249	HMC-AUH312
Gain Block	HMC788LP2E	HMC788LP2E	HMC788LP2E	HMC788LP2E		
Power Amplifier	HMC486LP5E HMC590 HMC590LP5E HMC591 HMC591LP5E HMC637 HMC637LP5E HMC-C074 HMC-C075	HMC487LP5E HMC592 HMC608LC4 HMC952LP5GE HMC1053	HMC489LP5E HMC592 HMC949 HMC950 HMC965LP5E HMC995LP5GE HMC952LP5GE HMC1053 HMC-APH462	HMC498LC4 HMC757LP4E HMC797LP5E HMC863LP4E HMC907LP5E HMC-APH196 HMC-APH462 HMC-APH478 HMC-APH518 HMC-APH596	HMC1024 HMC1029	HMC1014



A Selection of Hittite Components for

MICROWAVE & MMWAVE

Function	6 / 7 / 8 GHz	10 / 11 GHz	13 / 15 GHz	18 / 23 GHz	26 GHz	38 / 42 GHz
Wideband (Distributed) Amplifiers	HMC463LH250	HMC463LH250	HMC463LH250	HMC463LH250	HMC930	HMC1022
	HMC606	HMC606	HMC606	HMC606	HMC994LP5E	
	HMC606LC5	HMC606LC5	HMC606LC5	HMC606LC5	HMC1022	
	HMC619	HMC633	HMC633	HMC633		
	HMC619LP5E	HMC633LC4	HMC633LC4	HMC634LC4		
	HMC633	HMC634	HMC634	HMC634		
	HMC633LC4	HMC634LC4	HMC634LC4	HMC634LC4		
	HMC634	HMC797LP5E	HMC797LP5E	HMC797LP5E		
	HMC634LC4	HMC907LP5E	HMC907LP5E	HMC907LP5E		
	HMC659LC5	HMC930	HMC930	HMC930		
	HMC797LP5E	HMC994LP5E	HMC994LP5E	HMC994LP5E		
	HMC907LP5E	HMC998LP5E	HMC998LP5E	HMC998LP5E		
	HMC930	HMC999	HMC999	HMC999		
	HMC994LP5E	HMC-C050	HMC-C050	HMC-C050		
	HMC998LP5E	HMC-ALH102	HMC-ALH102	HMC-ALH102		
	HMC999	HMC-ALH435	HMC-ALH435	HMC-ALH435		
	HMC-C050	HMC-ALH444	HMC-ALH444	HMC-ALH444		
	HMC-ALH102	HMC-ALH482	HMC-ALH482	HMC-ALH482		
	HMC-ALH435	HMC-AUH232	HMC-AUH232	HMC-AUH232		
	HMC-ALH444	HMC-AUH249	HMC-AUH249	HMC-AUH249		
HMC-ALH482	HMC-AUH312	HMC-AUH312	HMC-AUH312			
HMC-AUH232						
HMC-AUH249						
HMC-AUH312						
Attenuator: Analog	HMC346LP3E	HMC346LP3E	HMC346LC3B	HMC346LC3B	HMC985	HMC985
	HMC812LC4	HMC712LP3CE	HMC346LP3E	HMC712LP3CE	HMC985LP4KE	HMC985LP4KE
	HMC976LP3E	HMC812LC4	HMC712LP3CE	HMC812LC4		HMC-VVD106
	HMC-C053	HMC985LP4KE	HMC812LC4	HMC985LP4KE		
	HMC-C053	HMC985LP4KE	HMC-C053	HMC-VVD102		
Broadband Time Delay	HMC856LC5					
Data Converters	HMCAD1520	HMCAD1520	HMCAD1520	HMCAD1520		
	HMCAD1511	HMCAD1511	HMCAD1511	HMCAD1511		
	HMCAD1510	HMCAD1510	HMCAD1510	HMCAD1510		
DC Power Management: Active Bias Controller	HMC920LP5E	HMC920LP5E	HMC920LP5E	HMC920LP5E	HMC920LP5E	HMC920LP5E
	HMC980	HMC980	HMC980	HMC980	HMC980	HMC980
	HMC980LP4E	HMC980LP4E	HMC980LP4E	HMC980LP4E	HMC980LP4E	HMC980LP4E
	HMC981	HMC981	HMC981	HMC981	HMC981	HMC981
	HMC981LP3E	HMC981LP3E	HMC981LP3E	HMC981LP3E	HMC981LP3E	HMC981LP3E
Filters - Tunable	HMC892LP5E	HMC894LP5E	HMC897	HMC897	HMC899	
	HMC893LP5E	HMC897	HMC1000	HMC897LP4E	HMC899LP4E	
	HMC894LP5E	HMC1000		HMC899LP4E		
	HMC1000			HMC1000		
Divide-by-2	HMC361S8GE	HMC364S8GE	HMC492LP3E	HMC492LP3E		
Divide-by-4	HMC362S8GE	HMC365S8GE	HMC493LP3E	HMC447LC3		
Divide-by-8	HMC363S8GE	HMC363S8GE	HMC494LP3E			



A Selection of Hittite Components for

MICROWAVE & MMWAVE

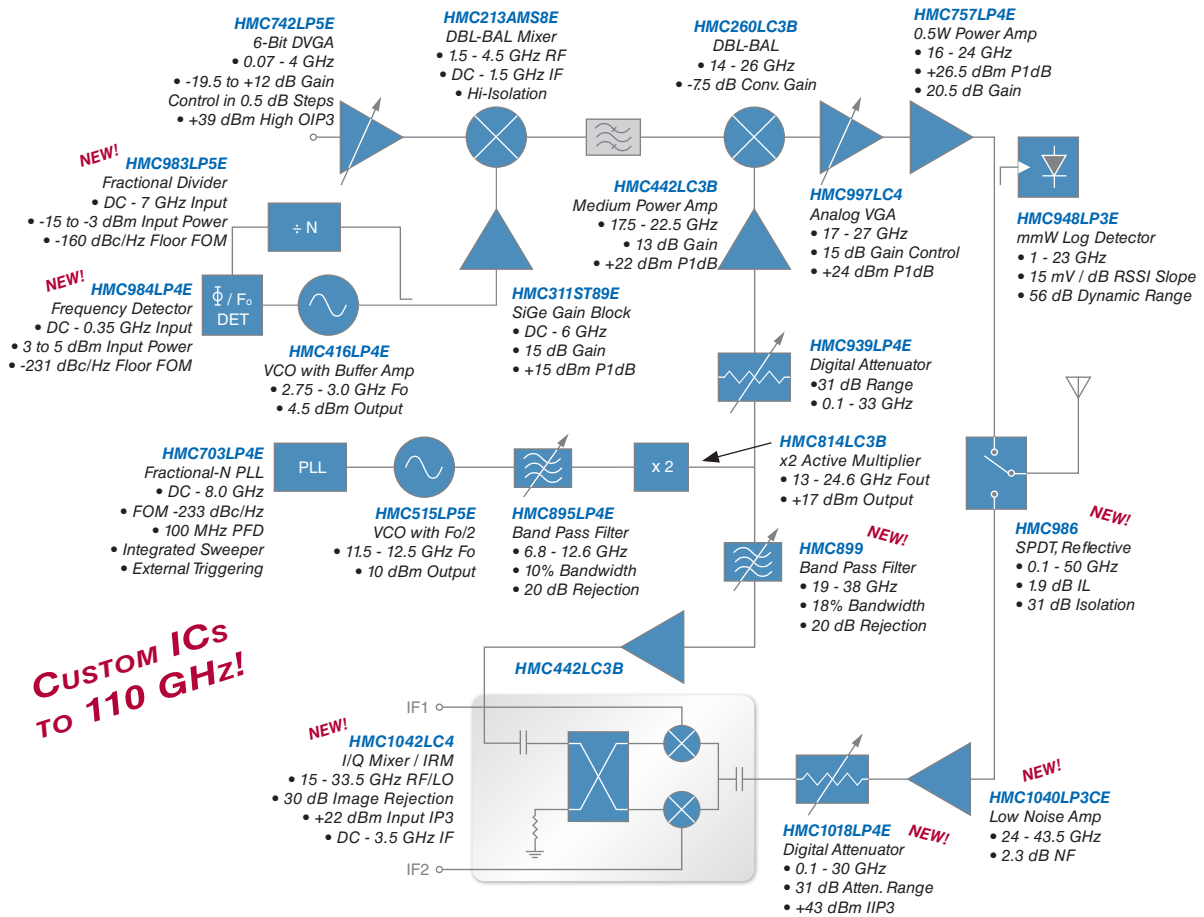
Function	6 / 7 / 8 GHz	10 / 11 GHz	13 / 15 GHz	18 / 23 GHz	26 GHz	38 / 42 GHz
Multiplier: Active X2	HMC368LP4E HMC575LP4E HMC561LP3E	HMC368LP4E HMC573LC3B HMC561LP3E HMC-XDB112	HMC368LP4E HMC573LC3B HMC561LP3E HMC942LP4E HMC-XDB112	HMC448LC3B HMC576 HMC576LC3B		
Multiplier: Active X4		HMC443LP4E	HMC370LP4E HMC-XDH158			
Multiplier: Passive X2	HMC189AMS8E	HMC189AMS8E	HMC204MS8GE	HMC204MS8GE HMC205		
I/Q Downconverter / Receiver	HMC567LC5 HMC951LP4E	HMC905LC5 HMC908LC5	HMC775LC5 HMC869LC5	HMC570 HMC570LC5 HMC571 HMC571LC5 HMC572 HMC572LC5 HMC904LC5 HMC966LP4E HMC967LP4E	HMC977LP4E	
I/Q Upconverter / Transmitter	HMC925LC5 HMC951LP4E	HMC568LC5 HMC924LC5	HMC568LC5 HMC709LC5 HMC924LC5	HMC710LC5 HMC815LC5 HMC819LC5 HMC967LP4E		
I/Q Mixer / IRM	HMC520LC4 HMC525LC4 HMC620 HMC620LC4	HMC521LC4 HMC527LC4 HMC528LC4 HMC775LC5	HMC521LC4 HMC522LC4 HMC527LC4 HMC528LC4 HMC715LC5 HMC775LC5 HMC1042LC4	HMC523 HMC523LC4 HMC524 HMC1041LC4 HMC1042LC4 HMC-MDB172	HMC524LC3B HMC1042LC4 HMC-MDB172	HMC556 HMC-MDB171
IF/Baseband Processing	HMC960LP4E HMC900LP5E	HMC960LP4E HMC900LP5E	HMC960LP4E HMC900LP5E	HMC960LP4E HMC900LP5E	HMC960LP4E HMC900LP5E	HMC960LP4E HMC900LP5E
MicroSynth®	HMC-C083					
Mixer: Fundamental	HMC129LC4 HMC144LC4 HMC219AMS8E HMC220MS8E HMC553 HMC553LC3B HMC558 HMC558LC3B HMC558 HMC558LC3B HMC663LC3 HMC773LC3B HMC1048LC3B	HMC144LC4 HMC411MS8GE HMC412MS8GE HMC553 HMC553LC3B HMC558 HMC558LC3B HMC-C051 HMC663LC3 HMC773LC3B HMC1048LC3B	HMC144LC4 HMC260LC3B HMC411MS8GE HMC412MS8GE HMC553 HMC553LC3B HMC554 HMC554LC3B HMC558 HMC558LC3B HMC773LC3B HMC1048LC3B HMC-C051	HMC144LC4 HMC260LC3B HMC292LC3B HMC554 HMC554LC3B HMC773LC3B HMC-C051	HMC329LC3B HMC773LC3B HMC1043LC3	HMC774



Function	6 / 7 / 8 GHz	10 / 11 GHz	13 / 15 GHz	18 / 23 GHz	26 GHz	38 / 42 GHz
Mixer: Sub-Harmonic			HMC258LM3	HMC258LC3B HMC258LM3 HMC264LC3B HMC337 HMC338LC3B HMC711LC5	HMC338LC3B HMC798LC4	HMC339
Phase Shifter	HMC928LP5E HMC929LP4E	HMC931LP4E	HMC932LP4E	HMC935LP5E HMC933LP4E		
PLLs: Synthesizer ICs	HMC698LP5E HMC699LP5E HMC700LP4E HMC701LP6CE HMC704LP4E	HMC698LP5E HMC699LP5E HMC700LP4E HMC701LP6CE HMC704LP4E	HMC698LP5E HMC699LP5E HMC700LP4E HMC701LP6CE HMC704LP4E	HMC698LP5E HMC699LP5E HMC700LP4E HMC701LP6CE HMC704LP4E		
PLL + VCO	HMC764LP6CE	HMC783LP6CE	HMC807LP6CE			
Power Detector	HMC662LP3E HMC948LP3E	HMC662LP3E HMC948LP3E	HMC662LP3E HMC948LP3E	HMC662LP3E HMC948LP3E	HMC662LP3E	
SDLVA	HMC813LC4B HMC913 HMC913LC4B HMC-C078 HMC-C088	HMC813LC4B HMC913 HMC913LC4B HMC-C078 HMC-C088	HMC813LC4B HMC913 HMC913LC4B HMC-C078 HMC-C088	HMC813 HMC813LC4B HMC913 HMC913LC4B HMC-C078 HMC-C088	HMC813	
Switch	HMC547LP3E HMC641 HMC641LP4E HMC970	HMC607 HMC641 HMC641LP4E HMC970	HMC547LP3E HMC607 HMC641 HMC641LP4E HMC970	HMC547LP3E HMC641 HMC641LP4E HMC971	HMC971 HMC994LC4	HMC975 HMC986
Signal Generator	HMC-T2000 HMC-T2100 HMC-T2220 HMC-T2220B HMC-T2270	HMC-T2100 HMC-T2220 HMC-T2220B HMC-T2270	HMC-T2100 HMC-T2220 HMC-T2220B HMC-T2270	HMC-T2100 HMC-T2220 HMC-T2220B HMC-T2270	HMC-T2240 HMC-T2270	HMC-T2270
VCO & PLO: **Requires X2 or X4	HMC466LP4E HMC505LP4E HMC506LP4E HMC532LP4E HMC586LC4B HMC587LC4B	HMC513LP4E HMC515LP5E HMC534LP4E HMC582LP5E HMC588LC4B HMC735LP5E HMC132LC4B HMC732LC4B	HMC513LP4E HMC529LP4E HMC531LP5E HMC535LP5E HMC584LP5E HMC632LP5E HMC736LP4E HMC737LP4E	HMC429LP4E** HMC431LP4E** HMC733LC4B HMC738LP4E HMC739LP4E	HMC739LP4E	
VGA: Analog & Digital	HMC694 HMC694LP4E HMC926LP5E HMC972LP5E HMC996LP4E	HMC694 HMC694LP4E HMC926LP5E HMC972LP5E HMC996LP4E	HMC694 HMC694LP4E HMC926LP5E HMC972LP5E	HMC694 HMC694LP4E HMC926LP5E HMC972LP5E HMC997LC4	HMC997LC4	

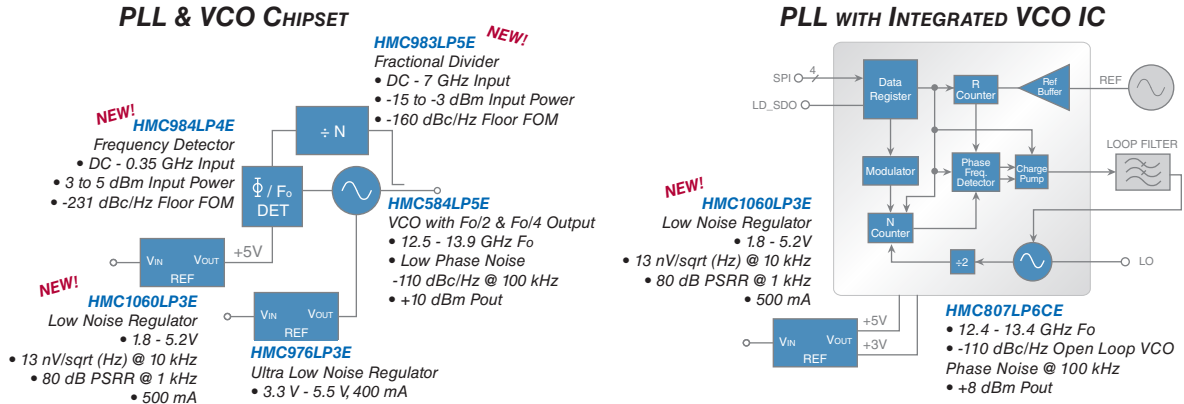


DOUBLE UPCONVERSION & DIRECT DOWNCONVERSION





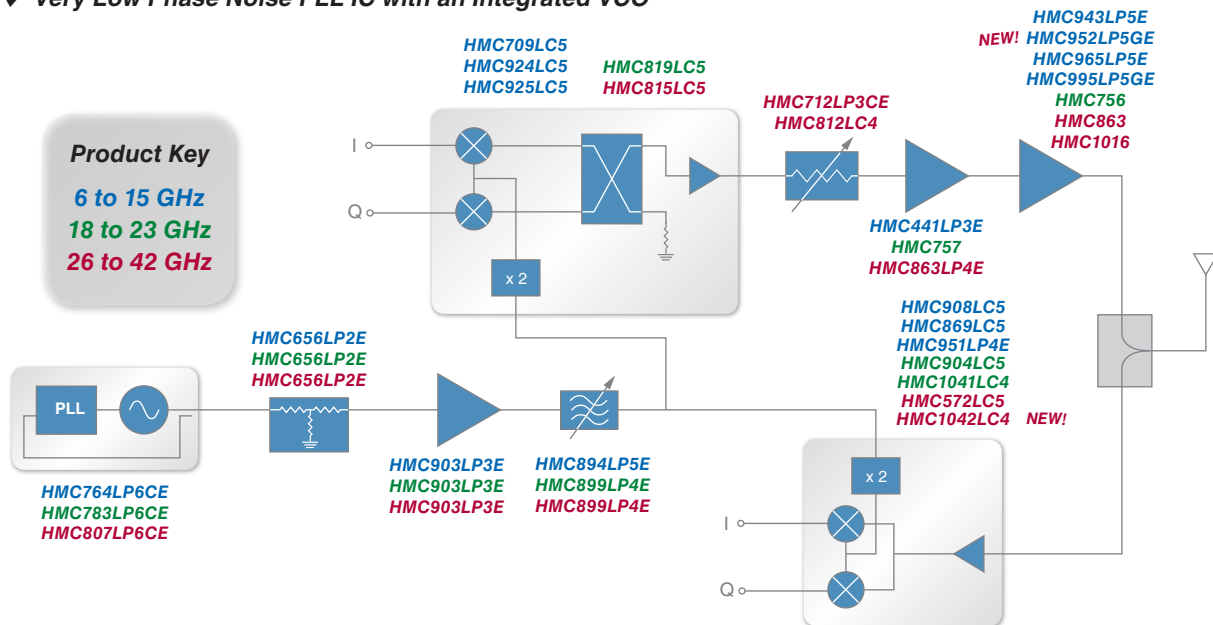
HITTITE'S HIGH FREQUENCY LO SOURCE ALTERNATIVES



CHIPSETS FOR 6 TO 42 GHz MICROWAVE RADIO BACKHAUL

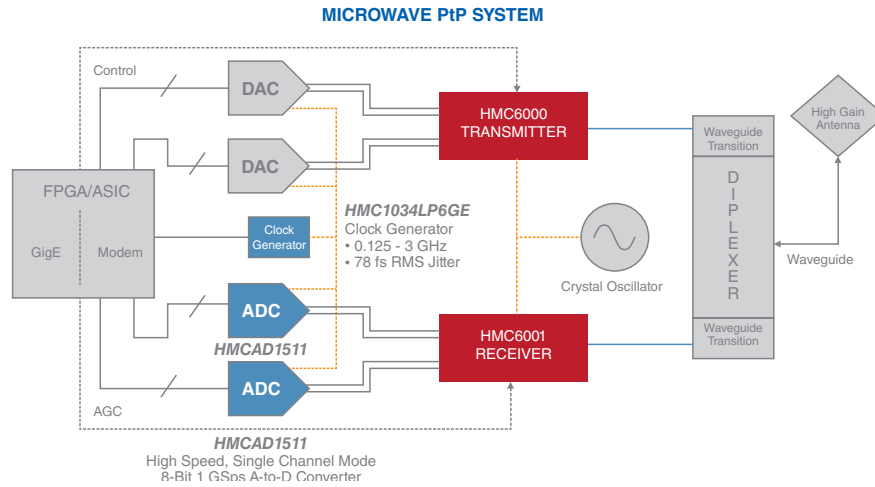
Features

- ◆ Integrated IQ TX Upconverter IC with a X2 LO Buffer & a High Linearity Driver Amplifier
- ◆ High Linearity 17 - 24 GHz Power Amplifier with 40 dBm OIP3 & 32 dBm Saturated Power
- ◆ Low Noise Image Rejection Downconverter IC with a X2 Integrated LO Buffer
- ◆ Very Low Phase Noise PLL IC with an Integrated VCO





60 GHz MICROWAVE POINT-TO-POINT SYSTEM



TRANSCEIVERS - New Product Line!

Frequency (GHz)	Function	P1dB (dBm) NF (dB)	Max Gain (dB)	Gain Adjust (dB)	Phase Noise @ 1 MHz Offset (dBc/Hz)	Power Dissipation (W)	Package	ECCN Code	Part Number
57 - 64	60 GHz Integrated Transmitter	12 dBm	38	17	-86	0.8	Chip	5A991.b	HMC6000
57 - 64	60 GHz Integrated Receiver	6 dB	67	65	-86	0.61	Chip	5A991.b	HMC6001

70 / 80 GHz E-BAND RADIO CHIPSET

