

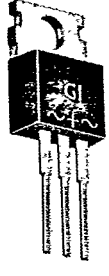




FAST EFFICIENT RECTIFIERS (continued)

IF (A)	5.0				6.0	
	PKG TYPE	GP20	G4	T0-22CT	CHIP	G4
VRRM (volts)						
50	EGP50A	FE5A	FEP5AT	EFR5A	GI1301	FE6A
100	EGP50B	FE5B	FEP5BT	EFR5B	GI1302	FE6B
150	EGP50C	FE5C	FEP5CT	EFR5C	GI1303	FE6C
200	EGP50D	FE5D	FEP5DT	EFR5D	GI1304	FE6D
300	EGP50F					
400	EGP50G					
500						
600						
800						
1000						

DatasheetLive

Max Vf (V)	1.25	.95	0.95	.90	1.25	.975
Max Ir (.. A)	5.0	5.0	10.0	5.0	20.0	5.0
SURGE	150	135	100	125	150	150
MAX Trr (nS)	50	35	35	35	50	35

Shaded Area Indicates Superrectifier

FAST EFFICIENT RECTIFIERS (continued)

8.0			16.0				18.0	30.0
TO-220		CHIP	TO-220	TO-220CT		TO-220CT	TO-3P	
FES8AT	GI1401	BYW29-50	EFR8A	FES16AT	FEP16AT	GI2401	BYV32-50	FEP30AP
FES8BT	GI1402	BYW29-100	EFR8B	FES16BT	FEP16BT	GI2402	BYV32-100	FEP30BP
FES8CT	GI1403	BYW29-150	EFR8C	FES16CT	FEP16CT	GI2403	BYV32-150	FEP30CP
FES8DT	GI1404	BYW29-200	EFR8D	FES16DT	FEP16DT	GI2404	BYV32-200	FEP30DP
FES8FT				FES16FT	FEP16FT			FEP30FP
FES8GT				FES16GT	FEP16GT			FEP30GP
FES8HT				FES16HT	FEP16HT			FEP30HP
FES8JT*				FES16JT	FEP16JT			FEP30JP

1.5	.975	1.3 @ 20A	.90	1.5	1.5	.975	1.15 @ 20A	1.5
10.0	5.0	10.0	10.0	10.0	10.0	5.0	10.0	10.0
125	125	100	300	250	200	125	150	300
50	35	25	35	50	50	35	35	50

GENERAL INSTRUMENT

Packaging Codes

PKG. CODE	PACKAGING DESCRIPTION
1	Bulk
2	26MM Horizontal Reel
3	26MM Horizontal Ammo Pack
4	Standard Horizontal Reel, Class I (Metric 52.4MM)
6	Avisert, Cathode Up, Reel
8	Avisert, Cathode Up, Ammo Pack
10	Avisert, Cathode Down, Reel
12	Avisert, Cathode Down, Ammo Pack
14	Panasert, Cathode Up, Reel
16	Panasert, Cathode Up, Ammo Pack
18	Panasert, Cathode Down Reel
20	Panasert, Cathode Down, Ammo Pack
22	Bulk Pack for Special Axial-Leaded Formed Devices
23	Standard Horizontal Ammo Pack (Metric)
25	GL41 SMD 12MM Tape, 7" Diameter Reel
26	GL41 SMD 12MM Tape, 13" Diameter Reel
31	Standard Horizontal Reel, Class III, 14" Diameter, (Metric 73MM)
32	GL34 SMD, 8MM Tape, 7" Diameter Reel
33	GL34 SMD, 8MM Tape, 13" Diameter Reel
34	Tab Mounted EFR8 Chip, 16MM, 13" Diameter Reel
35	Bulk, Axial-Leaded Conductive Packaging
36	Standard Horizontal Reel (Metric) Conductive Packaging
37	Bulk, TO220, TO3P Conductive Tubes
38	Bulk, Conductive Packaging for Bridge Rectifier
39	Miscellaneous Non-Standard T&R Packaging
40	Euroform, Reel, Cathode First Off Reel, Lead Coated
41	Euroform, Ammo Pack, Cathode First Off Tape, Lead Coated
42	Euroform, Reel, Cathode Last Off Reel, Lead Coated
43	Euroform, Ammo Pack, Cathode Last Off Tape, Lead Coated
44	Standard Horizontal Reel (Metric) 5MM Component Spacing for DO201 Packages
45	Bulk Pack for TO220, TO3P, and Bridge Rectifier Tubes
46	GL41 SMD 12 MM Tape, 7" Diameter Plastic Tubes
47	GL41 SMD 12 MM Tape, 13" Diameter Plastic Reels

Also available for all packaging Electro-Static-Protection by adding the number "50" to the existing codes.
For ex. "51" would be Bulk, Electro-Static Packaging. "54" would be T/R, Electro-Static Packaging.

Axial lead units are packed in accordance with EIA Standard RS-296-D plus specifications given below and the diagrams given below which are referred to in the specifications.

COMPONENT CASE TYPE	UNITS PER REEL	COMPONENT SPACING "A" FIG. 1		TAPE SPACING "B" FIG. 1		REEL DIMENSION "D" FIG. 2		MAX. OFF ALIGNMENT "E" FIG. 1		GROSS WEIGHT PER WHEEL	
		ea.	in.	mm	in.	mm	in.	mm	in.	mm	lbs.
DO15	3500	.220	5.0	2.06	52.4	12.0	305	.047	1.2	4.19	1.9
DO201AD	1200	.395	10.0	2.06	52.4	12.0	305	.047	1.2	4.19	1.9
DO204AP	4000	.200	5.0	2.06	52.4	12.0	305	.047	1.2	4.41	2.0
DO204MB	4000	.220	5.0	2.06	52.4	12.0	305	.047	1.2	2.65	1.2
DO41	5000	.220	5.0	2.06	52.4	12.0	305	.047	1.2	4.63	2.1
G3/G4	1500	.395	10.0	2.06	52.4	12.0	305	.047	1.2	3.75	1.7
GL34 Surface Mount	2500/9000	.157	4.0	—	—	7/13	178/330	See Fig. 6	.471/1.49	.214/68	
GL41 Surface Mount	1500/5000	.157	4.0	—	—	7/13	178/330	See Fig. 6	.471/1.49	.214/68	
GP10 Only Verticle	2000	.500	12.7	—	—	12.0	305	.079	2.0	2.29	1.04
GP10E	4000	.200	5.0	2.06	52.4	12.0	3.05	.047	1.2	3.04	1.38
GP20	1200	.395	10.0	2.06	52.4	12.0	305	.047	1.2	3.42	1.55
J,JTX,1N5415	2500	.200	5.0	2.06	52.4	12.0	305	.047	1.2	4.19	1.9
J,JTX, 1N5550	2500	.200	5.0	2.06	52.4	12.0	305	.047	1.2	4.19	1.9
J, JTX, 1N5807	2500	.200	5.0	2.06	52.4	12.0	305	.047	1.2	4.19	1.9
MPG06	5000	.200	5.0	2.06	52.4	12.0	305	.047	1.2	2.20	1.0
P600	700	.395	10.0	2.06	52.4	12.0	305	.047	1.2	3.75	1.7

Component Body Dia.	Metric Spec.		Cumulative pitch tolerance
	Components spacing "A" (Lead to Lead)	Inside tape spacing "B"	
0 mm to 5 mm (0 to .197")	± 0.5 mm (.020")	± 1.5 mm (.059")	Not exceed 1.0 mm over 20 consecutive components
5.01 mm to 10 mm (.197" to .394")	10 mm	52.4 mm	Not exceed 1.0 mm over 10 consecutive components

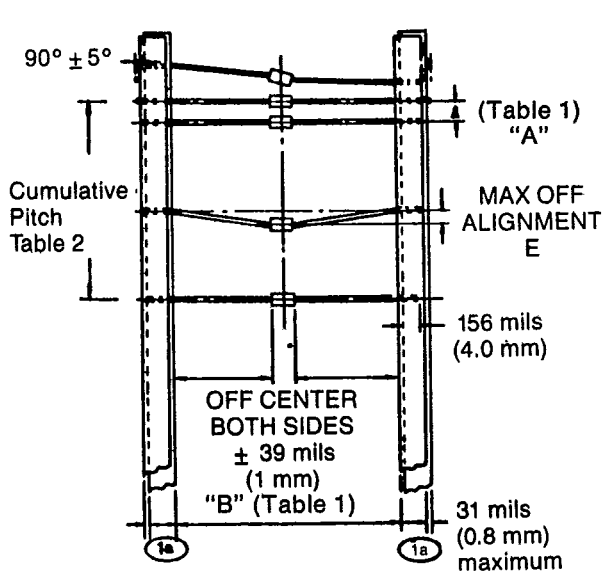


Figure 1

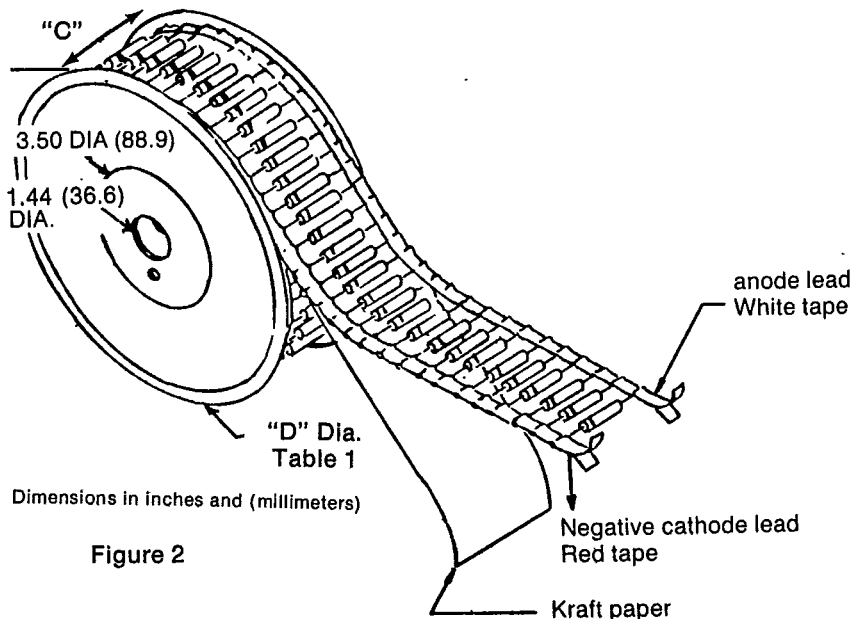


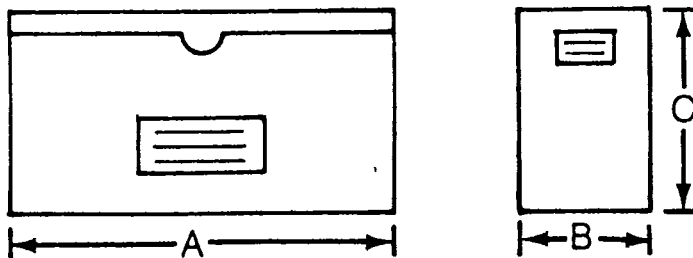
Figure 2

The C dimension of Fig. 2 is between .125" (3.175) and .250" (6.35) greater than the length of the component involved.

BULK PACKAGING

Component Case Type	Box Size		Quantity	Gross Weight	
	IN.	CM	EA	LBS.	KG.
GL34 Surface Mount	8 x 3.5 x 1	20.3 x 8.8 x 2.54	800	0.55	0.25
GL41 Surface Mount	8 x 3.5 x 1	20.3 x 8.8 x 2.54	4000	1.03	0.467
DO15	11.75 x 5.125 x 2.5	29.8 x 13.0 x 6.3	4000	3.85	1.75
DO201AD	11.75 x 5.125 x 2.5	29.8 x 13.0 x 6.3	1500	4.41	2.0
DO204AP	11.75 x 5.125 x 2.5	29.8 x 13.0 x 6.3	4000	3.75	1.7
DO204MB	11.75 x 5.125 x 2.5	29.8 x 13.0 x 6.3	5000	3.15	1.45
DO41/MPG06.	11.75 x 5.125 x 2.5	29.8 x 13.0 x 6.3	5000	2.38/2/20	1.08/1.0
G4/G3	11.75 x 5.125 x 2.5	29.8 x 13.0 x 6.3	3000/2000	5.07/5.29	2.3/2/4
GP20	11.75 x 5.125 x 2.5	29.8 x 13.0 x 6.3	1500	3.75	1.7
J, JTX1N483B, 1N645, 1N645-1	8 x 3.5 x 1	20.3 x 8.8 x 2.54	1000	.77	.35
J, JTX1N3611, 1N4245, 1N5614	8 x 3.5 x 1	20.3 x 8.8 x 2.54	500	.55	.25
J, JTX1N4942, 1N5615	8 x 3.5 x 1	20.3 x 8.8 x 2.54	500	.55	.25
J, JTX1N5415, 1N5550, 1N5807	12 x 3.6 x 2.5	30.4 x 9.1 x 6.3	1000	2.5	1.1
J, JTX1N5624	12 x 3.2 x 2.5	30.4 x 8.1 x 6.3	1000	2.5	1.1
P600	11.75 x 5.125 x 2.5	29.8 x 13.0 x 6.3	750	3.72	1.69
DF-M/DF-S Anti-Static Plastic Tubes	19.0 Length	48.2 Length	50	0.12	0.05
TO220CT Anti-Static Plastic Tubes	20.5 Length	52.0 Length	50	0.306	0.14
TO3P Anti-Static Plastic Tubes	20.5 Length	52.0 Length	30	0.572	0.26
KBPM/2KBPM Anti-Static Plastic Tubes	18.5 Length	47.0 Length	30	0.216	.098
AR,ARS Plastic Bags			200	0.84	0.38
WM Plastic Plastic Bags			100	0.37	0.17
GPP1, EFR1,35, SCH3, 5, Chip Tray	2.0 x 2.0 x .35	5.1 x 5.1 x 0.9	100	0.042	0.019
GPP5, EFR8, SCH 10 Chip Tray	2.0 x 2.0 x 3.5	5.1 x 5.1 x 0.9	100	0.044	0.020
SCH1 Chip Tray	2.0 x 2.0 x 3.5	5.1 x 5.1 x 0.9	400	0.042	0.019
GPP08,GPP12 Chip Tray	2.0 x 2.0 x 3.5	5.1 x 5.1 x 0.9	49	0.042	0.019
KBU4, 6, 8 . . Polyfoam Container	14.8 x 8.8 x 3.5	37.6 x 22.3 x 8.9	400	7.5	3.4
KBL Polyfoam Container	14.8 x 8.8 x 3.5	37.5 x 22.0 x 9.0	500	7.5	3.4
KPBC10 35W Polyfoam Container	10.4 x 8.7 x 7.1	26.6 x 22.0 x 18.0	100	6.5	2.95
BC	9.2 x 5.0 x 2.5	23.4 x 12.7 x 6.3	100	3.08	1.4
KBPC8	8.8 x 8.8 x 1.8	22.3 x 22.3 x 4.5	200	3.52	1.6
KBPC1, KBPC6	7.8 x 7.8 x 1.8	19.8 x 19.8 x 4.5	200	2.2	1.0
KBPC 10/35, 25SP PBC Tray	7.5 x 15.0 x 1.1	19.0 x 38.1 x 2.8	100	7.3	3.3

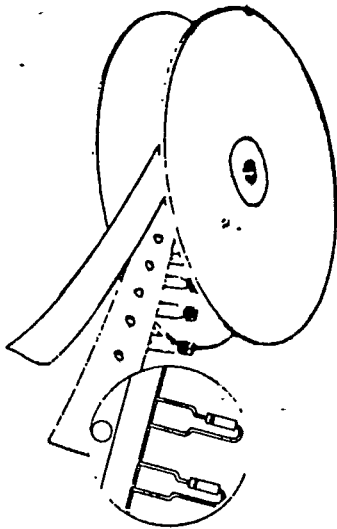
AMMO BOX PACKAGING



Packaging	Available Product Outlines	Packaging Codes	Dimension "A"	Dimension "B"	Dimension "C"	Quantity Box
26MM Horizontal Ammo Pack	DO-41 G1, GP15	PKG 3	9.7" (247MM)	1.7" (44MM)	3.7" (95MM)	3K 1.5K
52MM Horizontal Ammo Pack	G1, DO-41, DO15 DO201AD, G3, G4, GP20	PKG 23	10.0" (254MM)	3.1" (79MM)	4.3" (110MM)	3K 2K 1K
Vertical (Avisert, Euroform Panasert Ammo Pack	DO41, GP10-E, RGP10-E	PKG 8, 9, 12, 13, 16, 17, 20, 21, 41, 43	12.9" (328MM)	1.7" (42MM)	7.9" (200MM)	2K

PACKAGING METHODS FOR VERTICAL TAPING

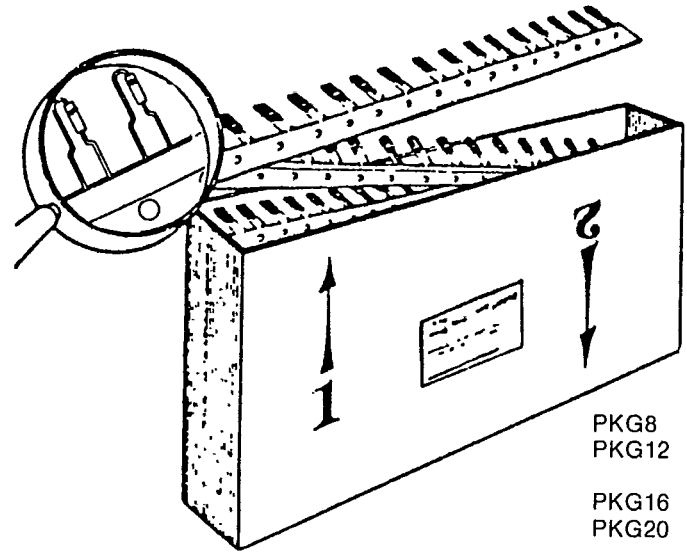
Avisert: PKG6 Panasert: PKG14 Euroform: PKG40
 PKG8 PKG16 PKG41
 PKG10 PKG18 PKG42
 PKG12 PKG20 PKG43



PKG6
PKG10

PKG14
PKG18

PKG40
PKG42



PKG8
PKG12

PKG16
PKG20

PKG41
PKG43

FIG. 1

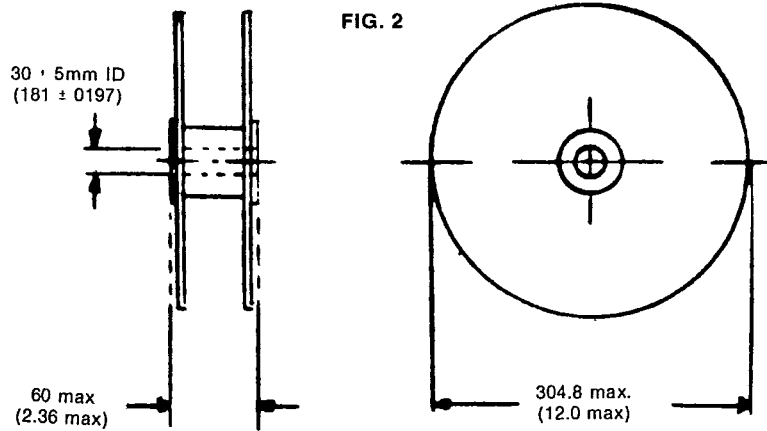


FIG. 2

ALL DIMENSIONS
IN MILLIMETERS AND INCHES

Package per E1A JEDEC standard RS-468 Available on reels or fan fold box (ammo pack)

Available only for DO41 case style products utilizing 0.65mm (.025") or 0.76mm (.30") diameter leads for Panasert and Avisert Tape and Reeling.

Available only for GP10 products utilizing 0.65mm (.025") diameter leads for Euroform Tape and Reeling by adding suffix "E" (GP10GE, 1N4004GPE)

VERTICAL REEL PACKAGING

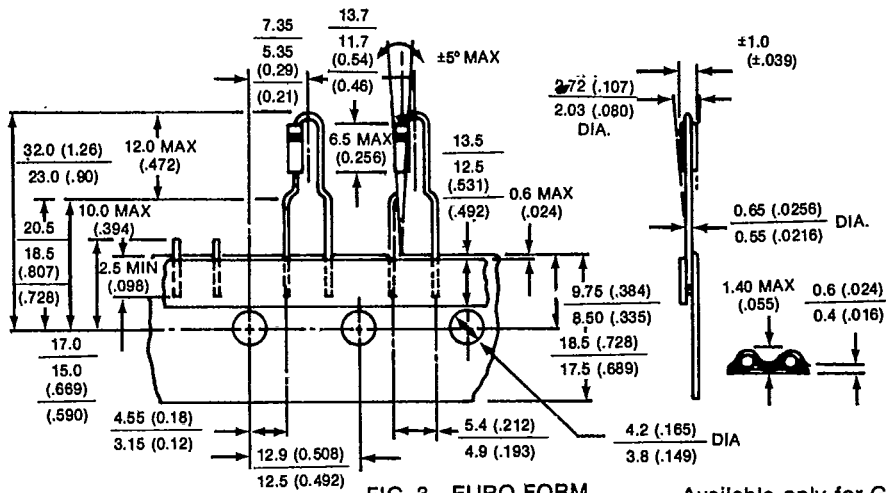


FIG. 3 - EURO FORM

Available only for GP10 products utilizing 0.65mm (.025) diameter leads for Euroform Tape and Reeling by adding suffix "E" (GP10GE, 1N4004GPE). Lead coating is standard.

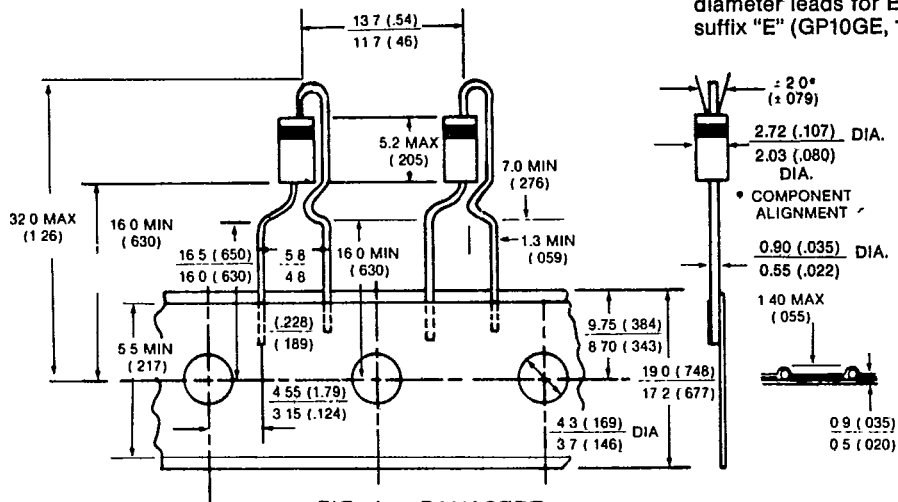


FIG. 4 - PANASERT

User Direction Feed

Available only for DO41 case style products utilizing 0.65mm (.025) or 0.76mm (.30) diameter leads for Panasert and Avisert Tape and Reeling. Lead coating is not available.

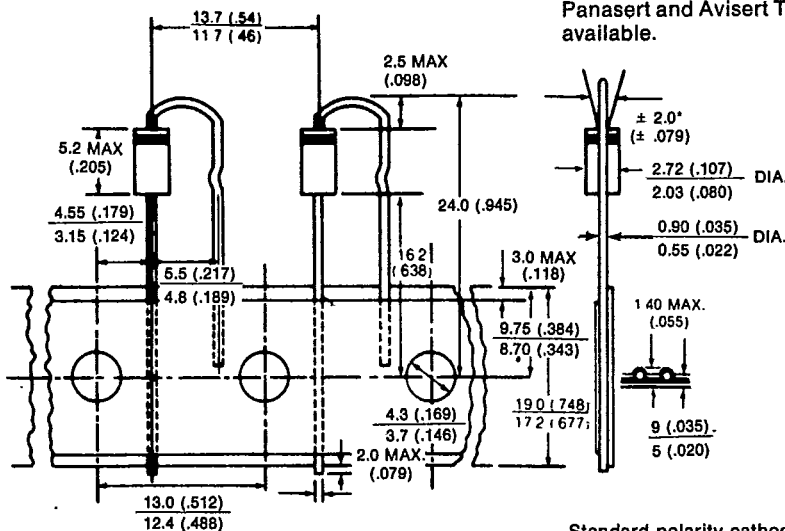


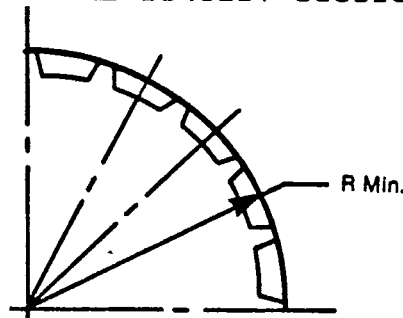
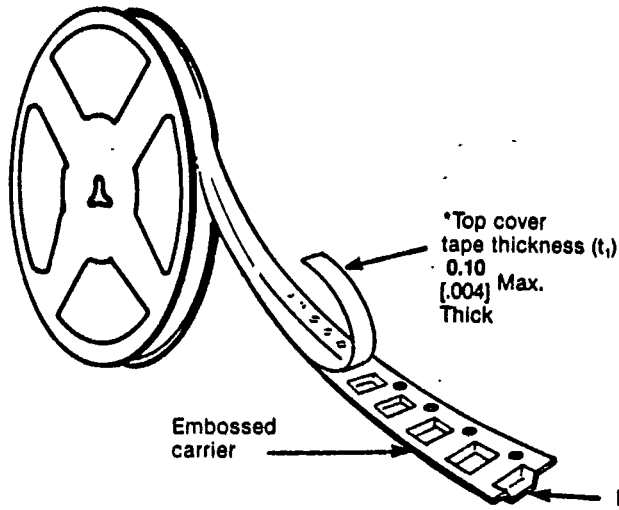
FIG. 5 - AVISERT

ALL DIMENSIONS IN MILLIMETERS AND (INCHES)

Standard polarity cathode oriented away from sprocket holes (Optional polarity cathode oriented toward sprocket holes)

SURFACE MOUNT PACKAGING

Packed per EIA/JEDEC Standard RS-481



AVAILABLE
178 ± 20
(7 00 ± 079)
OR
330 max
(13 0 max)

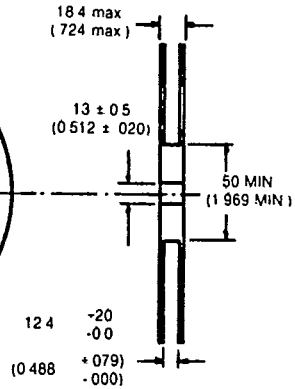
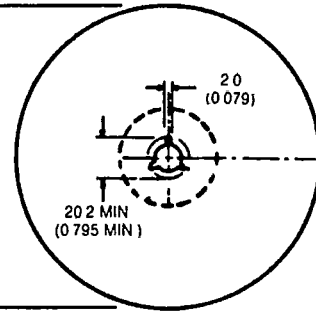


Table 1

8, 12, MM Embossed Tape

All Dimensions in Millimeters and (Inches)

Tape Size	D	E	P ₀	t	A ₀ B ₀ K ₀				
8, 12, MM	1.5 (.059)	1.75±0.10 (.069±.004)	4.0±.10 (.157 ±.004)	0.400 (.016)	See Note 1 Table 2				Constant Dimensions

Product Type	Tape Size	Max. B' ₁	Min. D' ₁	F	Max. K	P ²	Min. R	W	P	Variable Dimensions
GL34	8MM	4.2 (.165)	1.0 (.039)	3.5±0.05 (.138±.002)	2.4 (.094)	2.0±0.05 (.079±.002)	25 (.984)	8.0±.30 (.315±.012)	4.0±0.10 (.157±.004)	
GL41	12MM	8.2 (.323)	1.5 (.059)	5.5±0.05 (.217±.002)	4.5 (.177)		30 (1.181)	12.0±.30 (.472±.012)		

Notes:

1. A₀ B₀ K₀ are determined by component size. The clearance between the component and the cavity must be within 0.05 min. to 0.5 max. for 8MM tape and 0.05 min to 0.650 max. for 12 MM tape.

In addition the components cannot rotate more than 20° within the determined cavity.

2. Tape and components will pass around radius "R" without damage.

