

15V, 1.5A Synchronous Step-Up DC/DC Converter with Output Disconnect

FEATURES

- **V_{IN} Range: 1.8V to 5.5V, 500mV After Start-Up**
- **Output Voltage Range: 2.2V to 15V**
- **400mA Output Current for V_{IN} = 5V and V_{OUT} = 12V**
- **Output Disconnects from Input When Shut Down**
- **Synchronous Rectification: Up to 95% Efficiency**
- **Inrush Current Limit**
- Up to 3MHz Adjustable Switching Frequency Synchronizable to External Clock
- Selectable Burst Mode® Operation: 25µA I_Q
- Output Overvoltage Protection
- Soft-Start
- <1µA I_Q in Shutdown
- 12-Lead, 3mm × 4mm Thermally Enhanced DFN Package

APPLICATIONS

- PCI Express Cards/Systems
- Piezo Actuators
- Small DC Motors
- 12V Analog Rail From Battery, 5V, or Backup Capacitor

LT, LT, LTC, LTM, Linear Technology, the Linear logo and Burst Mode are registered trademarks and ThinSOT is a trademark of Linear Technology Corporation. All other trademarks are the property of their respective owners.

DESCRIPTION

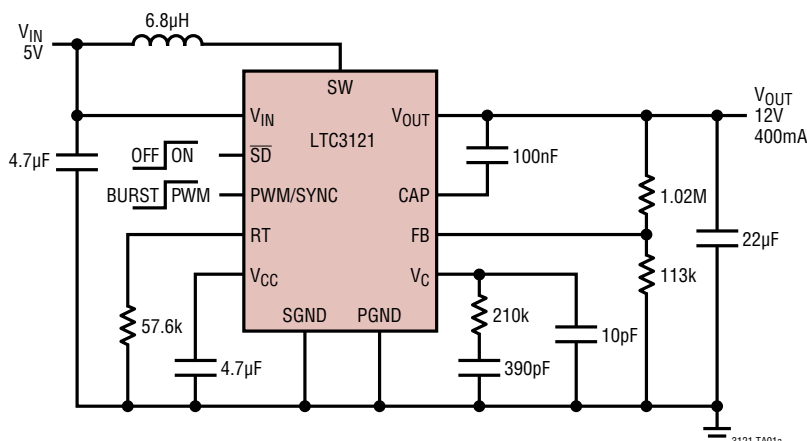
The **LTC®3121** is a synchronous step-up DC/DC converter with true output disconnect and inrush current limiting. The 1.5A current limit along with the ability to program output voltages up to 15V makes the LTC3121 well suited for a variety of demanding applications. Once started, operation will continue with inputs down to 500mV, extending run time in many applications.

The LTC3121 features output disconnect in shutdown, dramatically reducing input power drain and enabling V_{OUT} to completely discharge. Adjustable PWM switching from 100kHz to 3MHz optimizes applications for highest efficiency or smallest solution footprint. The oscillator can also be synchronized to an external clock for noise sensitive applications. Selectable Burst Mode operation reduces quiescent current to 25µA, ensuring high efficiency across the entire load range. An internal soft-start limits inrush current during start-up.

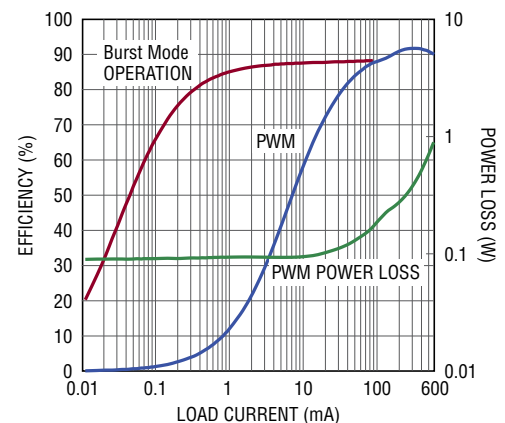
Other features include a <1µA shutdown current and robust protection under short-circuit, thermal overload, and output overvoltage conditions. The LTC3121 is offered in a low profile 12-lead (3mm × 4mm × 0.75mm) DFN package.

TYPICAL APPLICATION

5V to 12V Synchronous Boost Converter with Output Disconnect



Efficiency Curve



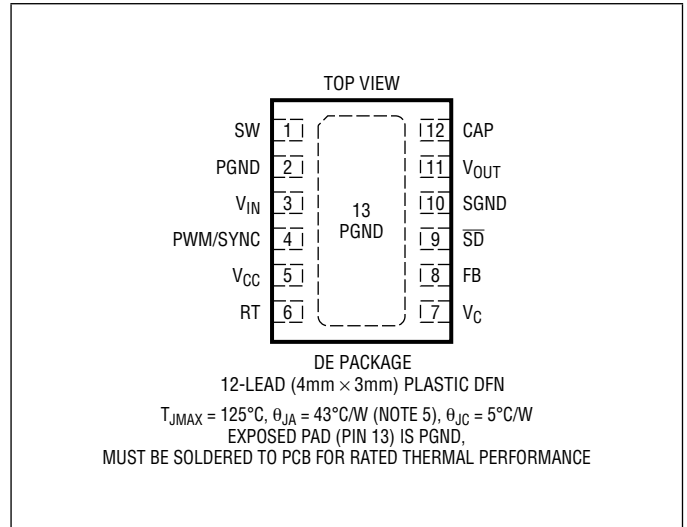
LTC3121

ABSOLUTE MAXIMUM RATINGS

(Note 1)

V_{IN} Voltage	-0.3V to 6V
V_{OUT} Voltage	-0.3V to 18V
SW Voltage (Note 2)	-0.3V to 18V
SW Voltage (Pulsed < 100ns) (Note 2).....	-0.3V to 19V
V_C , RT Voltage	-0.3V to V_{CC}
CAP Voltage	
$V_{OUT} < 5.7V$	-0.3V to ($V_{OUT} + 0.3V$)
$5.7V \leq V_{OUT} \leq 11.7V$	($V_{OUT} - 6V$) to ($V_{OUT} + 0.3V$)
$V_{OUT} > 11.7V$	($V_{OUT} - 6V$) to 12V
All Other Pins	-0.3V to 6V
Operating Junction Temperature Range	
(Notes 3, 4)	-40°C to 125°C
Storage Temperature Range	-65°C to 150°C

PIN CONFIGURATION



ORDER INFORMATION <http://www.linear.com/product/LTC3121#orderinfo>

LEAD FREE FINISH	TAPE AND REEL	PART MARKING*	PACKAGE DESCRIPTION	TEMPERATURE RANGE
LTC3121EDE#PBF	LTC3121EDE#TRPBF	3121	12-Lead (4mm × 3mm) Plastic DFN	-40°C to 125°C
LTC3121IDE#PBF	LTC3121IDE#TRPBF	3121	12-Lead (4mm × 3mm) Plastic DFN	-40°C to 125°C

Consult LTC Marketing for parts specified with wider operating temperature ranges. *The temperature grade is identified by a label on the shipping container

For more information on lead free part marking, go to: <http://www.linear.com/leadfree/>

For more information on tape and reel specifications, go to: <http://www.linear.com/tapeandreel/>. Some packages are available in 500 unit reels through designated sales channels with #TRMPBF suffix.

ELECTRICAL CHARACTERISTICS

The ● denotes the specifications which apply over the full operating junction temperature range, otherwise specifications are at $T_A = 25^\circ\text{C}$ (Note 3). $V_{IN} = 3.6\text{V}$, $V_{OUT} = 12\text{V}$, $RT = 57.6\text{k}$ unless otherwise noted.

PARAMETER	CONDITIONS		MIN.	TYP	MAX	UNITS
Minimum Start-Up Voltage	$V_{OUT} = 0\text{V}$	●		1.7	1.8	V
Input Voltage Range	After $V_{OUT} \geq 2.2\text{V}$	●	0.5		5.5	V
Output Voltage Adjust Range		●	2.2		15	V
Feedback Voltage		●	1.178	1.202	1.225	V
Feedback Input Current	$V_{FB} = 1.4\text{V}$			1	50	nA
Quiescent Current, Shutdown	$V_{SD} = 0\text{V}$, $V_{OUT} = 0\text{V}$, Not Including Switch Leakage			0.01	1	μA
Quiescent Current, Active	$V_C = 0\text{V}$, Measured On V_{IN} , Non-Switching			500	700	μA
Quiescent Current, Burst	Measured on V_{IN} , $V_{FB} > 1.4\text{V}$ Measured on V_{OUT} , $V_{FB} > 1.4\text{V}$			25 10	40 20	μA μA
N-channel MOSFET Switch Leakage Current	$V_{SW} = 15\text{V}$, $V_{OUT} = 15\text{V}$, $V_C = 0\text{V}$ (Note 6)	●		0.1	30	μA
P-channel MOSFET Switch Leakage Current	$V_{SW} = V_{IN} = 0\text{V}$, $V_{OUT} = 15\text{V}$ (Note 6)	●		0.1	70	μA
N-channel MOSFET Switch On-Resistance				0.121		Ω
P-channel MOSFET Switch On-Resistance				0.188		Ω
N-channel MOSFET Current Limit	$V_{IN} = 3.3\text{V}$	●	1.5	1.8	2.7	A
Maximum Duty Cycle	$V_{FB} = 1.0\text{V}$	●	90	94		%
Minimum Duty Cycle	$V_{FB} = 1.4\text{V}$	●			0	%
Switching Frequency		●	0.85	1	1.15	MHz
SYNC Frequency Range		●	0.1		3	MHz
PWM/SYNC Input High		●	$0.9 \cdot V_{CC}$			V
PWM/SYNC Input Low		●			$0.1 \cdot V_{CC}$	V
PWM/SYNC Input Current	$V_{PWM/SYNC} = 5.5\text{V}$			0.01	1	μA
CAP Clamp Voltage	$V_{OUT} > 6.1\text{V}$, Referenced to V_{OUT}		-5.2	-5.6	-6.0	V
Error Amplifier Transconductance		●	70	100	130	μS
Error Amplifier Output Current				± 25		μA
Soft-Start Time				10		ms
$\overline{\text{SD}}$ Input High		●	1.6			V
$\overline{\text{SD}}$ Input Low		●			0.25	V
$\overline{\text{SD}}$ Input Current	$V_{SD} = 5.5\text{V}$			1	2	μA

Note 1: Stresses beyond those listed under Absolute Maximum Ratings may cause permanent damage to the device. Exposure to any Absolute Maximum Rating condition for extended periods may affect device reliability and lifetime.

Note 2: Voltage transients on the SW pin beyond the DC limit specified in the Absolute Maximum Ratings are non-disruptive to normal operations when using good layout practices, as shown on the demo board or described in the data sheet or application notes.

Note 3: The LTC3121 is tested under pulsed load conditions such that $T_A \approx T_J$. The LTC3121E is guaranteed to meet performance specifications from 0°C to 85°C . Specifications over the -40°C to 125°C operating junction temperature range are assured by design, characterization and correlation with statistical process controls. The LTC3121I is guaranteed to meet specifications over the full -40°C to 125°C operating junction

temperature range. The junction temperature (T_J in $^\circ\text{C}$) is calculated from the ambient temperature (T_A in $^\circ\text{C}$) and power dissipation (P_D in watts) according to the formula: $T_J = T_A + (P_D \cdot \theta_{JA})$ where θ_{JA} is the thermal impedance of the package.

Note 4: The LTC3121 includes overtemperature protection that is intended to protect the device during momentary overload conditions. Junction temperature will exceed 125°C when overtemperature shutdown is active. Continuous operation above the specified maximum operating junction temperature may result in device degradation or failure.

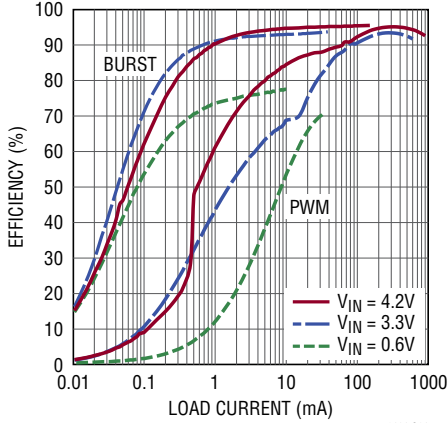
Note 5: Failure to solder the exposed backside of the package to the PC board ground plane will result in a thermal impedance much higher than the rated package specifications.

Note 6: Measured using a proprietary test mode to ensure anti-ringing switch between V_{IN} and SW is not active.

TYPICAL PERFORMANCE CHARACTERISTICS

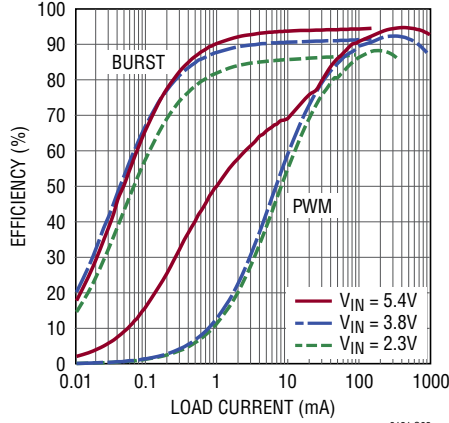
Configured as front page application unless otherwise specified.

**Efficiency vs Load Current,
 $V_{OUT} = 5V$**



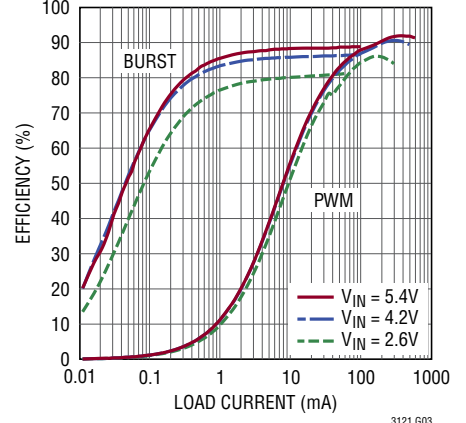
3121 G01

**Efficiency vs Load Current,
 $V_{OUT} = 7.5V$**



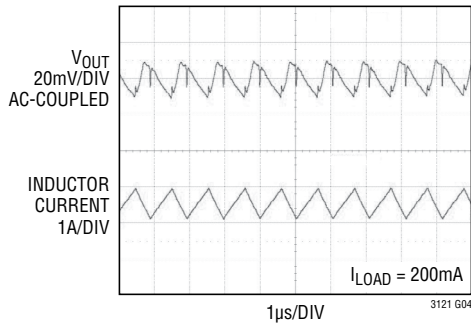
3121 G02

**Efficiency vs Load Current,
 $V_{OUT} = 12V$**



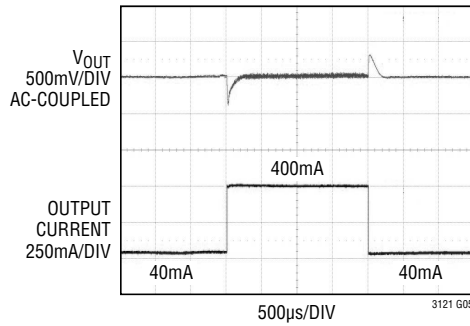
3121 G03

PWM Mode Operation



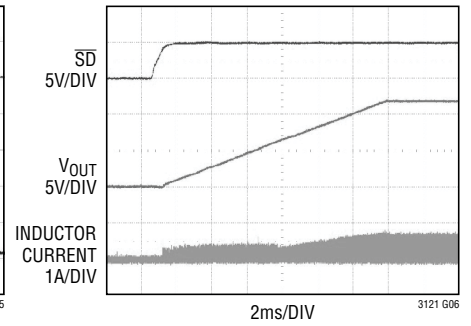
3121 G04

Load Transient Response



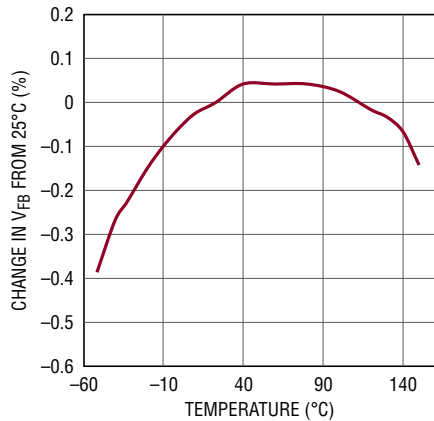
3121 G05

Inrush Current Control



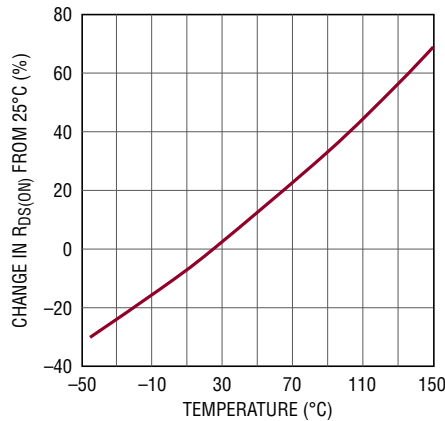
3121 G06

Feedback vs Temperature



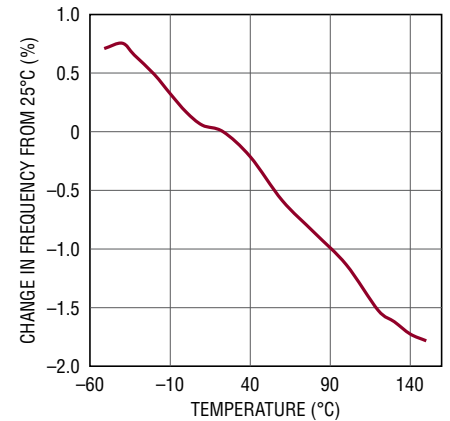
3121 G07

**$R_{DS(ON)}$ vs Temperature,
Both NMOS and PMOS**



3121 G08

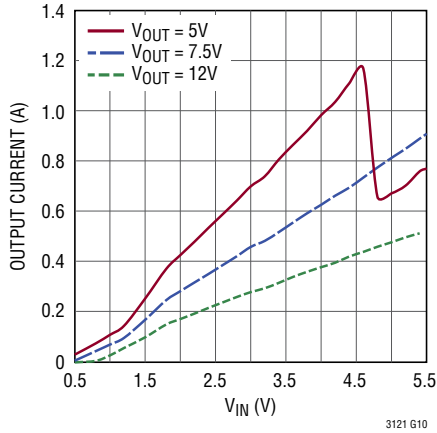
**Oscillator Frequency
vs Temperature**



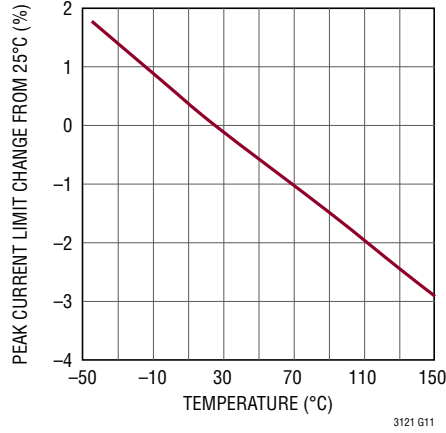
3121 G09

TYPICAL PERFORMANCE CHARACTERISTICS

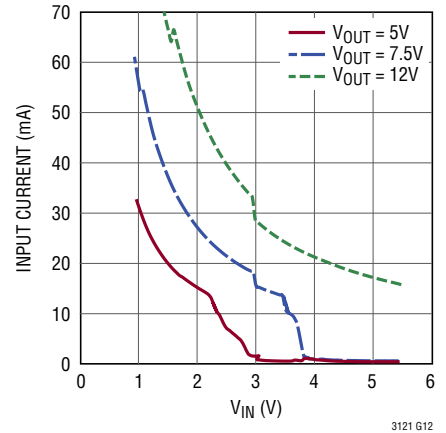
PWM Mode Maximum Output Current vs V_{IN}



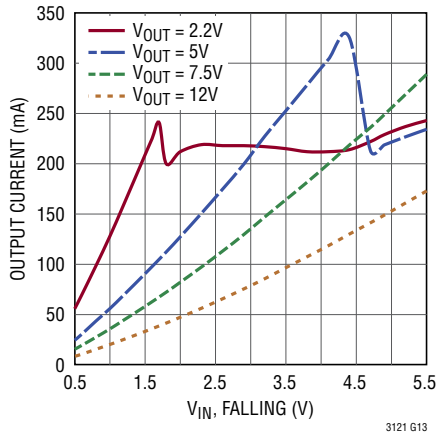
Peak Current Limit Change vs Temperature



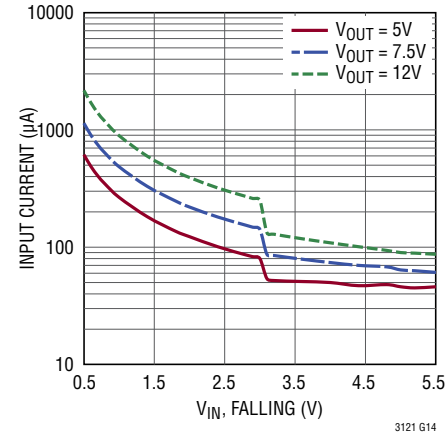
PWM Operation No Load Input Current vs V_{IN}



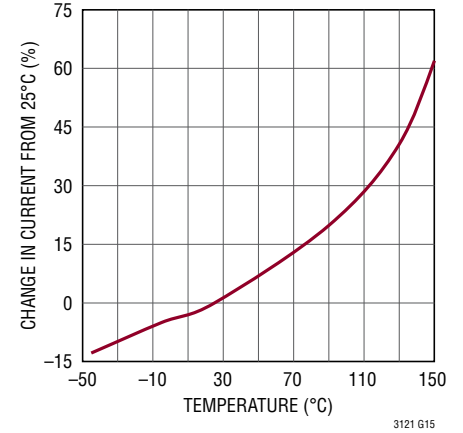
Burst Mode Maximum Output Current vs V_{IN}



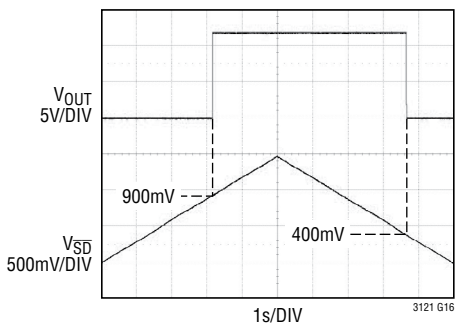
Burst Mode No Load Input Current vs V_{IN}



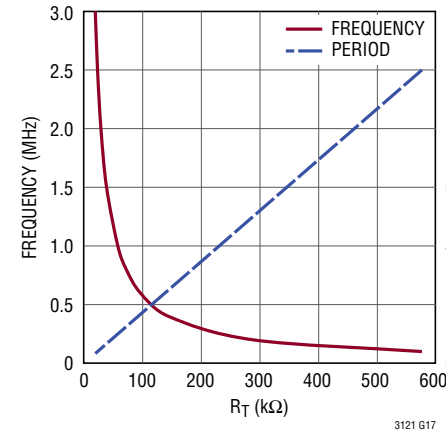
Burst Mode Quiescent Current Change vs Temperature



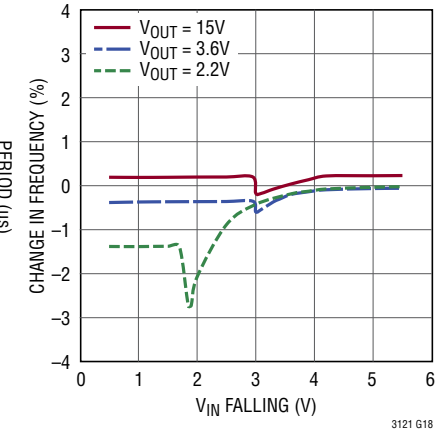
\overline{SD} Pin Threshold



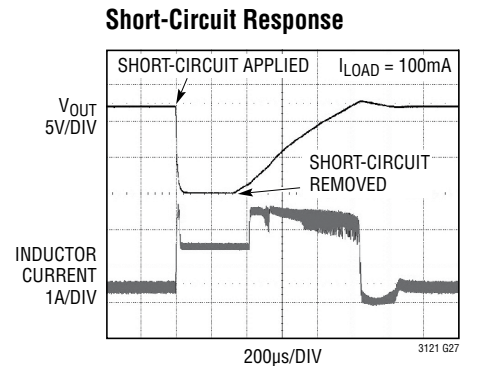
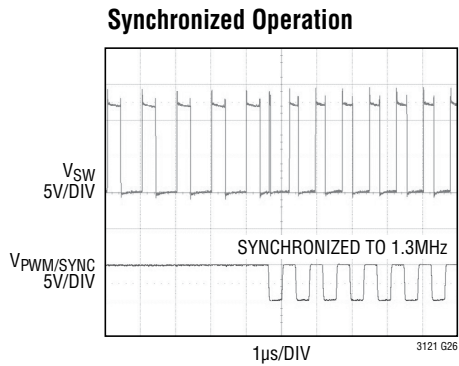
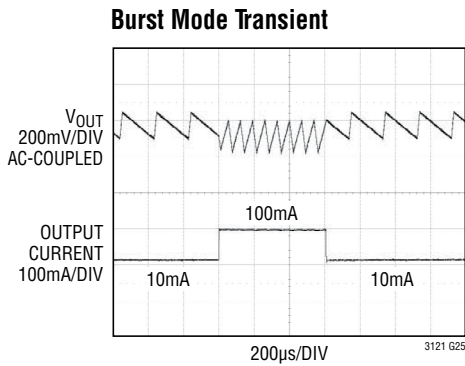
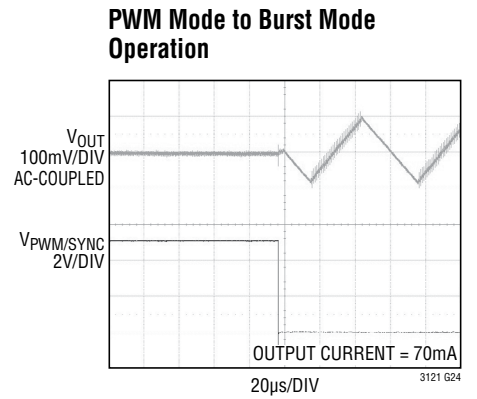
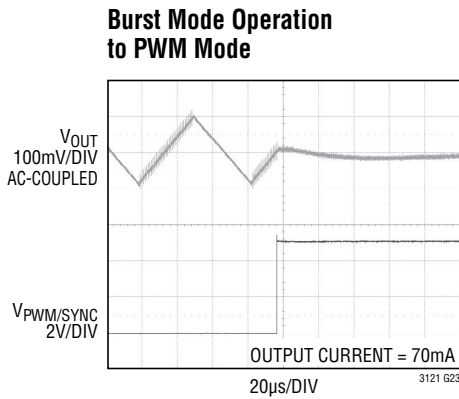
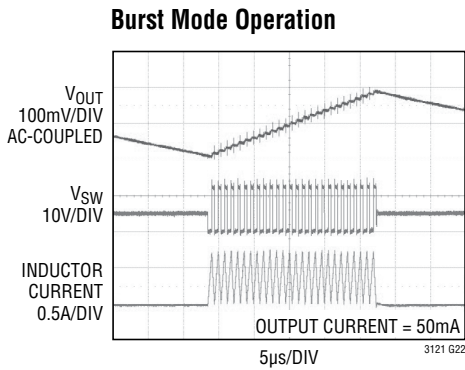
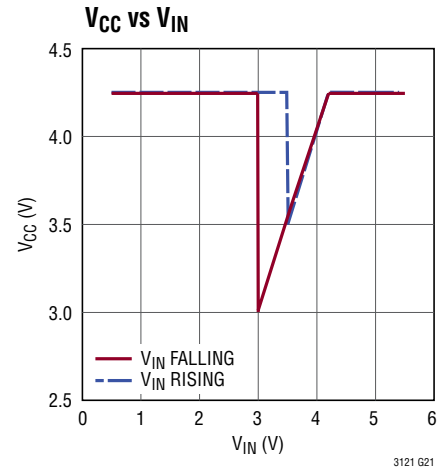
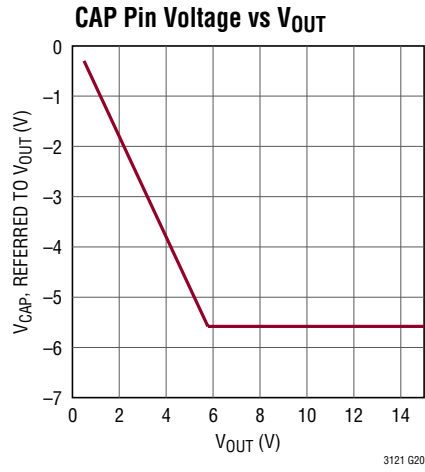
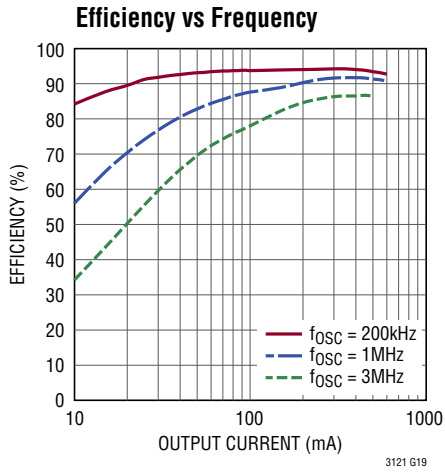
Frequency vs R_T



Frequency Accuracy



TYPICAL PERFORMANCE CHARACTERISTICS



PIN FUNCTIONS

SW (Pin 1): Switch Pin. Connect an inductor from this pin to V_{IN} . Keep PCB trace lengths as short and wide as possible to reduce EMI and voltage overshoot. When $V_{OUT} \geq V_{IN} + 2V$, an internal anti-ringing resistor is connected between SW and V_{IN} after the inductor current has dropped to near zero, to minimize EMI. The anti-ringing resistor is also activated in shutdown and during the sleep periods of Burst Mode operation.

PGND (Pin 2, Exposed Pad Pin 13): Power Ground. When laying out your PCB, provide a short, direct path between PGND and the output capacitor and tie directly to the ground plane. The exposed pad is ground and **must be** soldered to the PCB ground plane for rated thermal performance.

V_{IN} (Pin 3): Input Supply Pin. The device is powered from V_{IN} unless V_{OUT} exceeds V_{IN} and V_{IN} is less than 3V. Place a low ESR ceramic bypass capacitor of at least 4.7 μ F from V_{IN} to PGND. X5R and X7R dielectrics are preferred for their superior voltage and temperature characteristics.

PWM/SYNC (Pin 4): Burst Mode Operation Select and Oscillator Synchronization. **Do not leave this pin floating.**

- PWM/SYNC = High. Disable Burst Mode Operation and maintain low noise, constant frequency operation.
- PWM/SYNC = Low. The converter operates in Burst Mode operation, independent of load current.
- PWM/SYNC = External CLK. The internal oscillator is synchronized to the external CLK signal. Burst Mode operation is disabled. A clock pulse width between 100ns and 2 μ s is required to synchronize the oscillator. An external resistor **must be** connected between RT and GND to program the oscillator slightly below the desired synchronization frequency.

In non-synchronized applications, repeated clocking of the PWM/SYNC pin to affect an operating mode change is supported with these restrictions:

- Boost Mode ($V_{OUT} > V_{IN}$): $I_{OUT} < 500\mu A$: $f_{PWM/SYNC} \leq 100Hz$, $I_{OUT} \geq 500\mu A$: $f_{PWM/SYNC} \leq 5kHz$
- Buck Mode ($V_{OUT} < V_{IN}$): $I_{OUT} < 5mA$: $f_{PWM/SYNC} \leq 5Hz$, $I_{OUT} \geq 5mA$: $f_{PWM/SYNC} \leq 5kHz$

V_{CC} (Pin 5): V_{CC} Regulator Output. Connect a low-ESR filter capacitor of at least 4.7 μ F from this pin to GND to provide an internal regulated rail approximately equal to the lower of V_{IN} and 4.25V. When V_{OUT} is higher than V_{IN} , and V_{IN} falls below 3V, V_{CC} will regulate to the lower of approximately V_{OUT} and 4.25V. A UVLO event occurs if V_{CC} drops below 1.6V. Switching is inhibited, and a soft-start is initiated when V_{CC} returns above 1.7V.

RT (Pin 6): Frequency Adjust Pin. Connect an external resistor (R_T) from this pin to SGND to program the oscillator frequency according to the formula:

$$R_T = 57.6/f_{OSC}$$

where f_{OSC} is in MHz and R_T is in k Ω .

VC (Pin 7): Error Amplifier Output. A frequency compensation network is connected to this pin to compensate the control loop. See Compensating the Feedback Loop section for guidelines.

FB (Pin 8): Feedback Input to the Error Amplifier. Connect the resistor divider tap to this pin. Connect the top of the divider to V_{OUT} and the bottom of the divider to SGND. The output voltage can be adjusted from 2.2V to 15V according to this formula:

$$V_{OUT} = 1.202V \cdot (1 + R1/R2)$$

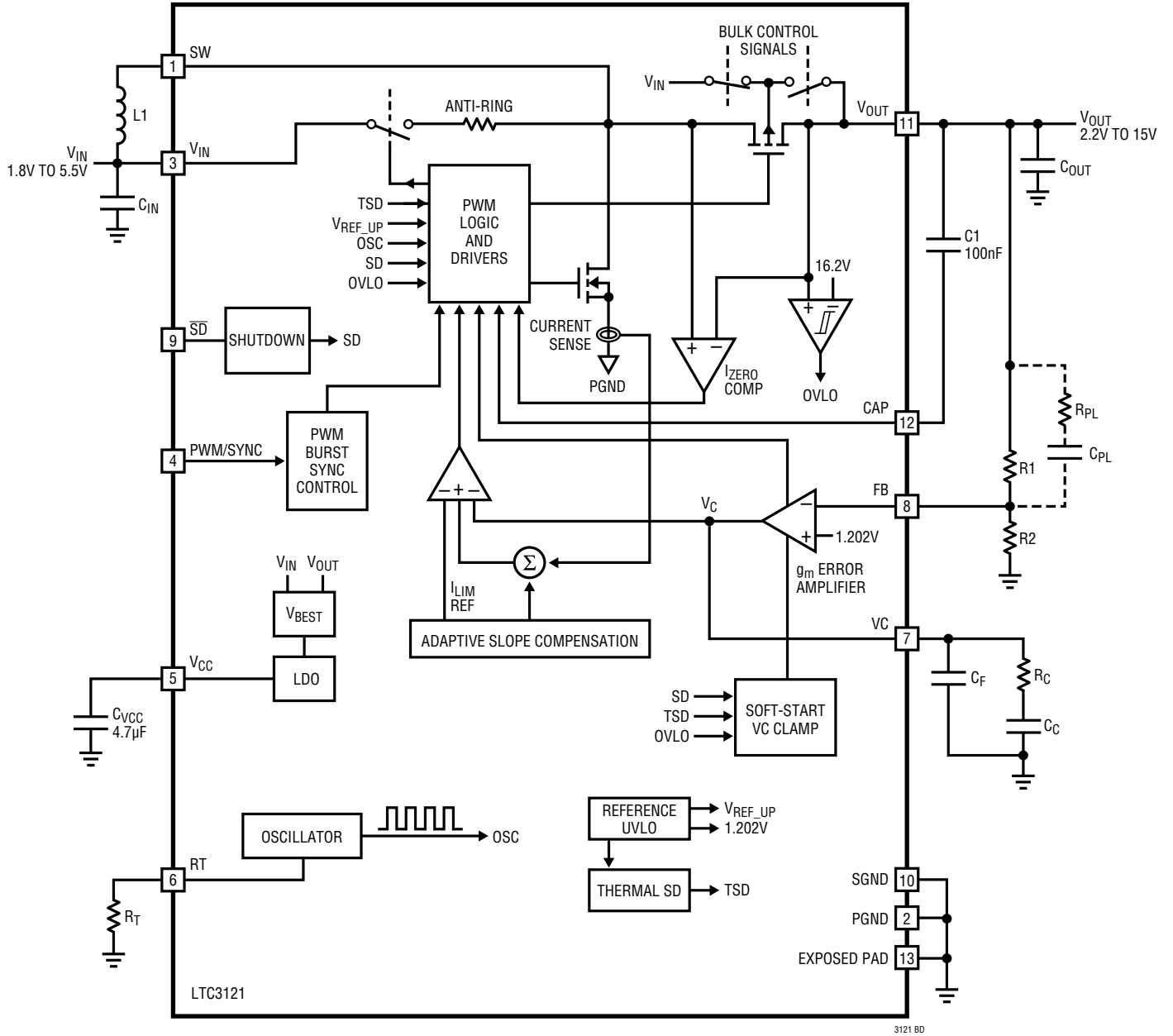
\overline{SD} (Pin 9): Logic Controlled Shutdown Input. Bringing this pin above 1.6V enables normal, free-running operation, forcing this pin below 0.25V shuts the LTC3121 down, with quiescent current below 1 μ A. **Do not leave this pin floating.**

SGND (Pin 10): Signal Ground. When laying out a PC board, provide a short, direct path between SGND and the (-) side of the output capacitor.

V_{OUT} (Pin 11): Output Voltage Sense and the Source of the Internal Synchronous Rectifier MOSFET. Driver bias is derived from V_{OUT} . Connect the output filter capacitor from V_{OUT} to PGND, as close to the IC as possible. A minimum value of 10 μ F ceramic is recommended. V_{OUT} is disconnected from V_{IN} when \overline{SD} is low.

CAP (Pin 12): Serves as the Low Reference for the Synchronous Rectifier Gate Drive. Connect a low ESR filter capacitor (typically 100nF) from this pin to V_{OUT} to provide an elevated ground rail, approximately 5.6V below V_{OUT} , used to drive the synchronous rectifier.

BLOCK DIAGRAM



THE VALUES OF RC, CC, AND CF ARE BASED UPON OPERATING CONDITIONS. PLEASE REFER TO COMPENSATING THE FEEDBACK LOOP SECTION FOR GUIDELINES TO DETERMINE OPTIMAL VALUES OF THESE COMPONENTS.

3121 BD

OPERATION

The LTC3121 is an adjustable frequency, 100kHz to 3MHz synchronous boost converter housed in a 12-lead 4mm × 3mm DFN. The LTC3121 offers the unique ability to start-up and regulate the output from inputs as low as 1.8V and continue to operate from inputs as low as 0.5V. Output voltages can be programmed between 2.2V and 15V. The device also features fixed frequency, current mode PWM control for exceptional line and load regulation. The current mode architecture with adaptive slope compensation provides excellent transient load response and requires minimal output filtering. An internal 10ms closed loop soft-start simplifies the design process while minimizing the number of external components.

With its low $R_{DS(ON)}$ and low gate charge internal N-channel MOSFET switch and P-channel MOSFET synchronous rectifier, the LTC3121 achieves high efficiency over a wide range of load current. High efficiency is achieved at light loads when Burst Mode operation is commanded. Operation can be best understood by referring to the Block Diagram.

LOW VOLTAGE OPERATION

The LTC3121 is designed to allow start-up from input voltages as low as 1.8V. When V_{OUT} exceeds 2.2V, the LTC3121 continues to regulate its output, even when V_{IN} falls to as low as 0.5V. The limiting factors for the application become the availability of the input source to supply sufficient power to the output at the low voltages, and the maximum duty cycle. Note that at low input voltages, small voltage drops due to series resistance become critical and greatly limit the power delivery capability of the converter. This feature extends operating times by maximizing the amount of energy that can be extracted from the input source.

LOW NOISE FIXED FREQUENCY OPERATION

Soft-Start

The LTC3121 contains internal circuitry to provide closed-loop soft-start operation. The soft-start utilizes a linearly increasing ramp of the error amplifier reference voltage from zero to its nominal value of 1.202V in approximately 10ms, with the internal control loop driving V_{OUT} from

zero to its final programmed value. This limits the inrush current drawn from the input source. As a result, the duration of the soft-start is largely unaffected by the size of the output capacitor or the output regulation voltage. The closed loop nature of the soft-start allows the converter to respond to load transients that might occur during the soft-start interval. The soft-start period is reset by a shutdown command on \overline{SD} , a UVLO event on V_{CC} ($V_{CC} < 1.6V$), an overvoltage event on V_{OUT} ($V_{OUT} \geq 16.2V$), or an overtemperature event (thermal shutdown is invoked when the die temperature exceeds 170°C). Upon removal of these fault conditions, the LTC3121 will soft-start the output voltage.

Error Amplifier

The non-inverting input of the transconductance error amplifier is internally connected to the 1.202V reference and the inverting input is connected to FB. An external resistive voltage divider from V_{OUT} to ground programs the output voltage from 2.2V to 15V via FB as shown in Figure 1.

$$V_{OUT} = 1.202V \left(1 + \frac{R1}{R2} \right)$$

Selecting an $R2$ value of 121k Ω to have approximately 10 μ A of bias current in the V_{OUT} resistor divider yields the formula:

$$R1 = 100.67 \cdot (V_{OUT} - 1.202V)$$

where $R1$ is in k Ω .

Power converter control loop compensation is set by a simple RC network between V_C and ground.

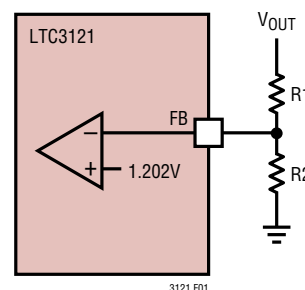


Figure 1. Programming the Output Voltage

OPERATION

Internal Current Limit

The current limit comparator shuts off the N-channel MOSFET switch once its threshold is reached. Peak switch current is limited to 1.8A, independent of input or output voltage, except when V_{OUT} is below 1.5V, resulting in the current limit being approximately half of the nominal peak.

Lossless current sensing converts the peak current signal of the N-channel MOSFET switch into a voltage that is summed with the internal slope compensation. The summed signal is compared to the error amplifier output to provide a peak current control command for the PWM.

Zero Current Comparator

The zero current comparator monitors the inductor current being delivered to the output and shuts off the synchronous rectifier when this current reduces to approximately 50mA. This prevents the inductor current from reversing in polarity, improving efficiency at light loads.

Oscillator

The internal oscillator is programmed to the desired switching frequency with an external resistor from the RT pin to GND according to the following formula:

$$f_{OSC} \text{ (MHz)} = \left(\frac{57.6}{R_T \text{ (k}\Omega)} \right)$$

The oscillator also can be synchronized to an external frequency by applying a pulse train to the PWM/SYNC pin. An external resistor must be connected between RT and GND to program the oscillator to a frequency approximately 25% below that of the externally applied pulse train used for synchronization. R_T is selected in this case according to this formula:

$$R_T \text{ (k}\Omega) = \left(\frac{73.2}{f_{SYNC} \text{ (MHz)}} \right)$$

Output Disconnect

The LTC3121's output disconnect feature eliminates body diode conduction of the internal P-channel MOSFET rectifier. This allows for V_{OUT} to discharge to 0V during

shutdown, and draw no current from the input source. It also allows for inrush current limiting at turn-on, minimizing surge currents seen by the input supply. Note that to obtain the advantages of output disconnect, there must not be an external Schottky diode connected between SW and V_{OUT} . The output disconnect feature also allows V_{OUT} to be pulled high, without reverse current being backed into the power source connected to V_{IN} .

Shutdown

The boost converter is disabled by pulling \overline{SD} below 0.25V and enabled by pulling \overline{SD} above 1.6V. Note that \overline{SD} can be driven above V_{IN} or V_{OUT} , as long as it is limited to less than the absolute maximum rating.

Thermal Shutdown

If the die temperature exceeds 170°C typical, the LTC3121 will go into thermal shutdown (TSD). All switches will be turned off until the die temperature drops by approximately 7°C, when the device re-initiates a soft-start and switching can resume.

Boost Anti-Ringing Control

When $V_{OUT} \geq V_{IN} + 2V$, the anti-ringing control connects a resistor across the inductor to damp high frequency ringing on the SW pin during discontinuous current mode operation when the inductor current has dropped to near zero. Although the ringing of the resonant circuit formed by L and C_{SW} (capacitance on SW pin) is low energy, it can cause EMI radiation.

V_{CC} Regulator

An internal low dropout regulator generates the 4.25V (nominal) V_{CC} rail from V_{IN} or V_{OUT} , depending upon operating conditions. V_{CC} is supplied from V_{IN} when V_{IN} is greater than 3.5V, otherwise the greater of V_{IN} and V_{OUT} is used. The V_{CC} rail powers the internal control circuitry and power MOSFET gate drivers of the LTC3121. The V_{CC} regulator is disabled in shutdown to reduce quiescent current and is enabled by forcing the \overline{SD} pin above its threshold. A 4.7 μ F or larger capacitor must be connected between V_{CC} and SGND.

OPERATION

Overvoltage Lockout

An overvoltage condition occurs when V_{OUT} exceeds approximately 16.2V. Switching is disabled and the internal soft-start ramp is reset. Once V_{OUT} drops below approximately 15.6V, a soft-start cycle is initiated and switching is enabled. If the boost converter output is lightly loaded so that the time constant product of the output capacitance, C_{OUT} , and the output load resistance, R_{OUT} is near or greater than the soft-start time of approximately 10ms, the soft-start ramp may end before or soon after switching resumes, defeating the inrush current limiting of the closed loop soft-start following an overvoltage event.

Short-Circuit Protection

The LTC3121 output disconnect feature allows output short-circuit protection. To reduce power dissipation under overload and short-circuit conditions, the peak switch current limit is reduced to 1A. Once $V_{OUT} > 1.5V$, the current limit is set to its nominal value of 1.8A.

$V_{IN} > V_{OUT}$ Operation

The LTC3121 step-up converter will maintain voltage regulation even when the input voltage is above the desired output voltage. Note that operating in this mode will exhibit lower efficiency and a reduced output current capability. Refer to the Typical Performance Characteristics section for details.

Burst Mode OPERATION

When the PWM/SYNC pin is held low, the boost converter operates in Burst Mode operation to improve efficiency at light loads and reduce standby current at no load. The input thresholds for this pin are determined relative to V_{CC} with a low being less than 10% of V_{CC} and a high being greater than 90% of V_{CC} . The LTC3121 will operate in fixed frequency PWM mode even if Burst Mode operation is commanded during soft-start.

In Burst Mode operation, the LTC3121 switches asynchronously. The inductor current is first charged to 600mA by turning on the N-channel MOSFET switch. Once this current threshold is reached, the N-channel is turned off and the P-channel synchronous switch is turned on, delivering current to the output. When the inductor current discharges to approximately zero, the cycle repeats. In Burst Mode operation, energy is delivered to the output until the nominal regulation value is reached, at which point the LTC3121 transitions to sleep mode. In sleep, the output switches are turned off and the LTC3121 consumes only 25 μ A of quiescent current. When the output voltage droops approximately 1%, switching resumes. This maximizes efficiency at very light loads by minimizing switching and quiescent losses. Output voltage ripple in Burst Mode operation is typically 1% to 2% peak-to-peak. Additional output capacitance (10 μ F or greater), or the addition of a small feed-forward capacitor (10pF to 50pF) connected between V_{OUT} and FB can help further reduce the output ripple.

The maximum output current (I_{OUT}) capability in Burst Mode operation varies with V_{IN} and V_{OUT} , as shown in Figure 2.

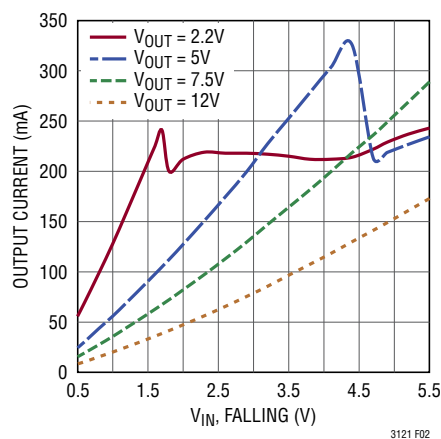


Figure 2. Burst Mode Maximum Output Current vs V_{IN}

APPLICATIONS INFORMATION

PCB LAYOUT GUIDELINES

The high switching frequency of the LTC3121 demands careful attention to board layout. A careless layout will result in reduced performance. Maximizing the copper area for ground will help to minimize die temperature rise. A multilayer board with a separate ground plane is ideal, but not absolutely necessary. See Figure 3 for an example of a two-layer board layout.

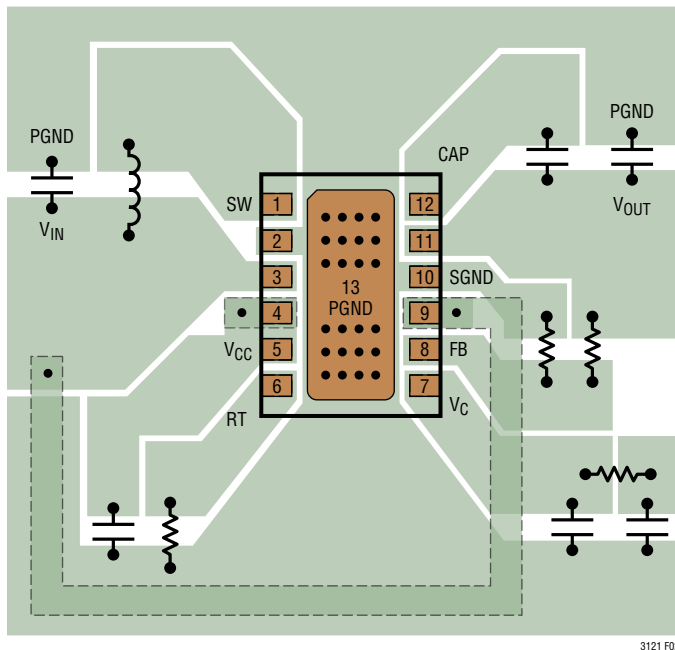


Figure 3. Traces Carrying High Current Are Direct (PGND, SW, V_{IN} and V_{OUT}). Trace Area at FB and V_C Are Kept Low. Trace Length to Input Supply Should Be Kept Short. V_{IN} and V_{OUT} Ceramic Capacitors Should Be Placed as Close to the LTC3121 Pins as Possible

SCHOTTKY DIODE

Although it is not required, adding a Schottky diode from SW to V_{OUT} can improve the converter efficiency by about 4%. Note that this defeats the output disconnect and short-circuit protection features of the LTC3121.

COMPONENT SELECTION

Inductor Selection

The LTC3121 can utilize small surface mount inductors due to its capability of setting a fast (up to 3MHz) switching frequency. Larger values of inductance will allow slightly greater output current capability by reducing the inductor ripple current. To design a stable converter the range of inductance values is bounded by the targeted magnitude of the internal slope compensation and is inversely proportional to the switching frequency. The inductor selection for the LTC3121 has the following bounds:

$$\frac{10}{f} \mu\text{H} > L > \frac{3}{f} \mu\text{H}$$

The inductor peak-to-peak ripple current is given by the following equation:

$$\text{RIPPLE}(A) = \frac{V_{IN} \cdot (V_{OUT} - V_{IN})}{f \cdot L \cdot V_{OUT}}$$

where:

L = Inductor Value in μH

f = Switching Frequency in MHz

The inductor ripple current is a maximum at the minimum inductor value. Substituting $3/f$ for the inductor value in the above equation yields the following:

$$\text{RIPPLE}_{\text{MAX}}(A) = \frac{V_{IN} \cdot (V_{OUT} - V_{IN})}{3 \cdot V_{OUT}}$$

To realize greater output current capability at the guaranteed minimum (over temperature) 1.5A current limit, it is recommended that the inductor ripple current be limited to one-third of this minimum value, or to approximately 0.5A. Choosing a minimum inductor value of $6/f \mu\text{H}$ (where f = switching frequency in MHz) or greater typically results in an inductor ripple current of 0.5A or less for the majority of step-up ratios. High frequency ferrite core inductor materials reduce frequency dependent power losses compared to cheaper powdered iron types, improving efficiency.

APPLICATIONS INFORMATION

The inductor should have low DCR (series resistance of the windings) to reduce the I^2R power losses, and must be able to support the peak inductor current without saturating. Molded chokes and most chip inductors usually do not have enough core area to support the peak inductor currents of 2A to 3A seen on the LTC3121. To minimize radiated noise, use a shielded inductor.

See Table 1 for suggested components and suppliers

Table 1. Recommended Inductors

PART NUMBER	VALUE (μH)	DCR (mΩ)	I _{SAT} (A)	SIZE (mm) W × L × H
Coilcraft XAL4020-222ME	2.2	39	5.6	4.3 × 4.3 × 2.1
Coilcraft XAL4030-332ME	3.3	29	5.5	4.3 × 4.3 × 3.1
Coilcraft XAL4030-472ME	4.7	44	4.5	4.3 × 4.3 × 3.1
Coilcraft XAL5050-682ME	6.8	29	6.0	5.3 × 5.3 × 5.1
Coilcraft XAL6060-223ME	22	61	5.6	6.3 × 6.3 × 6.1
Coilcraft MSS1260T-333ML	33	57	4.34	12.3 × 12.3 × 6.2
Coiltronics DR73-2R2-R	2.2	17	5.52	7.6 × 7.6 × 3.55
Coiltronics DR74-4R7-R	4.7	25	4.37	7.6 × 7.6 × 4.35
Coiltronics DR125-330-R	33	51	3.84	12.5 × 12.5 × 6
Coiltronics DR127-470-R	47	72	5.28	12.5 × 12.5 × 8
Sumida CDR7D28MNNP-2R2NC	2.2	18	4.9	7.6 × 7.6 × 3
Sumida CDR7D28MNNP-6R8NC	6.8	46	3.5	7.6 × 7.6 × 3
Taiyo-Yuden NR5040T3R3N	3.3	35	3.8	5 × 5 × 4
TDK LTF5022T-2R2N3R2-LC	2.2	40	3.2	5 × 5.2 × 2.2
TDK SPM6530T-3R3M	3.3	30	6.8	7.1 × 6.5 × 3
TDK VLP8040T-4R7M	4.7	25	4.4	8 × 7.7 × 4
Würth WE-PD7447789002	2.2	23	4.8	7.3 × 7.3 × 3.2
Würth WE-PD7447789003	3.3	30	4.2	7.3 × 7.3 × 3.2
Würth WE-PD7447789003	4.7	35	4.2	7.3 × 7.3 × 3.2
Würth WE-PD744779006	6.8	35	3.3	7.3 × 7.3 × 4.5
Würth WE-HCI7443251000	10	16	8.5	10 × 10 × 5
Würth WE-PD744770122	22	43	5	12 × 12 × 8
Würth WE-PD744770133	33	64	3.6	12 × 12 × 8
Würth WE-PD7447709470	47	60	4.5	12 × 12 × 10

Output and Input Capacitor Selection

Low ESR (equivalent series resistance) capacitors should be used to minimize the output voltage ripple. Multilayer ceramic capacitors are an excellent choice as they have extremely low ESR and are available in small footprints. X5R and X7R dielectric materials are preferred for their ability to maintain capacitance over wide voltage and temperature ranges. Y5V types should not be used. Although ceramic capacitors are recommended, low ESR tantalum capacitors may be used as well.

When selecting output capacitors, the magnitude of the peak inductor current, together with the ripple voltage specification, determine the choice of the capacitor. Both the ESR (equivalent series resistance) of the capacitor and the charge stored in the capacitor each cycle contribute to the output voltage ripple.

The ripple due to the charge is approximately:

$$V_{\text{RIPPLE(CHARGE)}} \approx \frac{I_P \cdot V_{\text{IN}}}{C_{\text{OUT}} \cdot V_{\text{OUT}} \cdot f}$$

where I_P is the peak inductor current.

The ESR of C_{OUT} is usually the most dominant factor for ripple in most power converters. The ripple due to the capacitor ESR is:

$$V_{\text{RIPPLE(ESR)}} = I_{\text{LOAD}} \cdot R_{\text{ESR}} \cdot \frac{V_{\text{OUT}}}{V_{\text{IN}}}$$

where R_{ESR} = capacitor equivalent series resistance.

The input filter capacitor reduces peak currents drawn from the input source and reduces input switching noise. A low ESR bypass capacitor with a value of at least 4.7μF should be located as close to the V_{IN} pin as possible.

Low ESR and high capacitance are critical to maintain low output voltage ripple. Capacitors can be used in parallel for even larger capacitance values and lower effective ESR. Ceramic capacitors are often utilized in switching converter applications due to their small size, low ESR and low leakage currents. However, many ceramic capacitors experience significant loss in capacitance from their rated value with increased DC bias voltage. It is not uncommon for a small surface mount capacitor to lose more than 50% of its rated capacitance when operated near its rated voltage. As a result it is sometimes necessary to use a larger capacitor value or a capacitor with a larger value and case size, such as 1812 rather than 1206, in order to actually realize the intended capacitance at the full operating voltage. Be sure to consult the vendor's curve of capacitance vs DC bias voltage. Table 2 shows a sampling of capacitors suited for LTC3121 applications.

APPLICATIONS INFORMATION

Table 2. Representative Output Capacitors

MANUFACTURER, PART NUMBER	VALUE (μ F)	VOLTAGE (V)	SIZE L x W x H (mm) TYPE, ESR ($m\Omega$)
AVX, 12103D226MAT2A	22	25	3.2 x 2.5 x 2.79, X5R Ceramic
Kemet, C2220X226K3RACTU	22	25	5.7 x 5.0 x 2.4, X7R Ceramic
Kemet, A700D226M016ATE030	22	16	7.3 x 4.3 x 2.8, Alum. Polymer, 30m Ω
Murata, GRM32ER71E226KE15L	22	25	3.2 x 2.5 x 2.5, X7R Ceramic
Nichicon, PLV1E121MDL1	82	25	8 x 8 x 12, Alum. Polymer, 25m Ω
Panasonic, ECJ-4YB1E226M	22	25	3.2 x 2.5 x 2.5, X5R Ceramic
Sanyo, 25TQC22MV	22	25	7.3 x 4.3 x 3.1, POSCAP, 50m Ω
Sanyo, 16TQC100M	100	16	7.3 x 4.3 x 1.9, POSCAP, 45m Ω
Sanyo, 25SVPF47M	47	25	6.6 x 6.6 x 5.9, OS-CON, 30m Ω
Taiyo Yuden, TMK325BJ226MM-T	22	25	3.2 x 2.5 x 2.5, X5R Ceramic
TDK, CKG57NX5R1E476M	47	25	6.5 x 5.5 x 5.5, X5R Ceramic
Cap-XX GS230F	1.2Farads	4.5	39 x 17 x 3.8 28m Ω
Cooper A1030-2R5155	1.5Farads	2.5	\varnothing = 10, L = 30 60m Ω
Maxwell BCAP0050-P270	50Farads	2.5	\varnothing = 18, L = 40 20m Ω

For applications requiring a very low profile and very large capacitance, the GS, GS2 and GW series from Cap-XX and PowerStor Aerogel Capacitors from Cooper all offer very high capacitance and low ESR in various low profile packages.

A method for improving the converter's transient response uses a small feed-forward series network of a capacitor and a resistor across the top resistor of the feedback divider (from V_{OUT} to FB). This adds a phase-lead zero and pole to the transfer function of the converter as calculated in the Compensating the Feedback Loop section.

OPERATING FREQUENCY SELECTION

There are several considerations in selecting the operating frequency of the converter. Typically the first consideration is to stay clear of sensitive frequency bands, which cannot tolerate any spectral noise. For example, in products incorporating RF communications, the 455kHz IF frequency is sensitive to any noise, therefore switching above 600kHz is desired. Some communications have sensitivity to 1.1MHz and in that case a 1.5MHz switching converter frequency may be employed. A second consideration is the physical size of the converter. As the operating frequency is increased, the inductor and filter capacitors typically can be reduced in value, leading to smaller sized external components. The smaller solution size is typically traded for efficiency, since the switching losses due to gate charge increase with frequency.

Another consideration is whether the application can allow pulse-skipping. When the boost converter pulse-skips, the minimum on-time of the converter is unable to support the duty cycle. This results in a low frequency component to the output ripple. In many applications where physical size is the main criterion, running the converter in this mode is acceptable. In applications where it is preferred not to enter this mode, the maximum operating frequency is given by:

$$f_{MAX_NOSKIP} \leq \frac{V_{OUT} - V_{IN}}{V_{OUT} \cdot t_{ON(MIN)}} \text{ Hz}$$

where $t_{ON(MIN)}$ = minimum on-time = 100ns.

Thermal Considerations

For the LTC3121 to deliver its full power, it is imperative that a good thermal path be provided to dissipate the heat generated within the package. This can be accomplished by taking advantage of the large thermal pad on the underside of the IC. It is recommended that multiple vias in the printed circuit board be used to conduct heat away from the IC and into a copper plane with as much area as possible. If the junction temperature rises above $\sim 170^{\circ}\text{C}$, the part will go into thermal shutdown, and all switching will stop until the temperature drops approximately 7°C .

APPLICATIONS INFORMATION

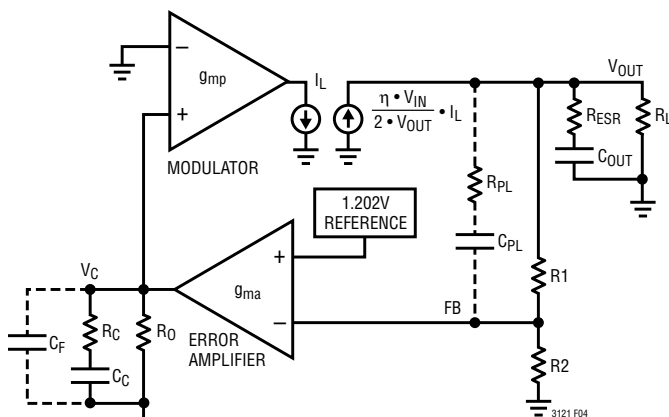
Compensating the Feedback Loop

The LTC3121 uses current mode control, with internal adaptive slope compensation. Current mode control eliminates the second order filter due to the inductor and output capacitor exhibited in voltage mode control, and simplifies the power loop to a single pole filter response. Because of this fast current control loop, the power stage of the IC combined with the external inductor can be modeled by a transconductance amplifier g_{mp} and a current controlled current source. Figure 4 shows the key equivalent small signal elements of a boost converter.

The DC small-signal loop gain of the system shown in Figure 4 is given by the following equation:

$$G_{\text{BOOST}} = G_{\text{EA}} \cdot G_{\text{MP}} \cdot G_{\text{POWER}} \cdot \frac{R_2}{R_1 + R_2}$$

where G_{EA} is the DC gain of the error amplifier, G_{MP} is the modulator gain, and G_{POWER} is the inductor current to V_{OUT} gain.



C_C : COMPENSATION CAPACITOR
 C_{OUT} : OUTPUT CAPACITOR
 C_{PL} : PHASE LEAD CAPACITOR
 C_F : HIGH FREQUENCY FILTER CAPACITOR
 g_{ma} : TRANSCONDUCTANCE AMPLIFIER INSIDE IC
 g_{mp} : POWER STAGE TRANSCONDUCTANCE AMPLIFIER
 R_C : COMPENSATION RESISTOR
 R_L : OUTPUT RESISTANCE DEFINED AS $V_{\text{OUT}}/I_{\text{LOADMAX}}$
 R_O : OUTPUT RESISTANCE OF g_{ma}
 R_{PL} : PHASE LEAD RESISTOR
 R_1, R_2 : FEEDBACK RESISTOR DIVIDER NETWORK
 R_{ESR} : OUTPUT CAPACITOR ESR
 η : CONVERTER EFFICIENCY (~90% AT HIGHER CURRENTS)

Figure 4. Boost Converter Equivalent Model

$$G_{\text{EA}} = g_{\text{ma}} \cdot R_O \approx 950 \text{V/V}$$

(Not Adjustable; $g_{\text{ma}} = 95 \mu\text{S}$, $R_O \approx 10 \text{M}\Omega$)

$$G_{\text{MP}} = g_{\text{mp}} = \frac{\Delta I_L}{\Delta V_C} \approx 3.4 \text{S (Not Adjustable)}$$

$$G_{\text{POWER}} = \frac{\Delta V_{\text{OUT}}}{\Delta I_L} = \frac{\eta \cdot V_{\text{IN}}}{2 \cdot I_{\text{OUT}}}$$

Combining the two equations above yields:

$$G_{\text{DC}} = G_{\text{MP}} \cdot G_{\text{POWER}} \approx \frac{1.7 \cdot \eta \cdot V_{\text{IN}}}{I_{\text{OUT}}} \text{V/V}$$

Converter efficiency η will vary with I_{OUT} and switching frequency f_{OSC} as shown in the typical performance characteristics curves.

$$\text{Output Pole: } P1 = \frac{2}{2 \cdot \pi \cdot R_L \cdot C_{\text{OUT}}} \text{Hz}$$

$$\text{Error Amplifier Pole: } P2 = \frac{1}{2 \cdot \pi \cdot R_O \cdot (C_C + C_F)} \text{Hz}$$

$$\text{Error Amplifier Zero: } Z1 = \frac{1}{2 \cdot \pi \cdot R_C \cdot C_C} \text{Hz}$$

$$\text{ESR Zero: } Z2 = \frac{1}{2 \cdot \pi \cdot R_{\text{ESR}} \cdot C_{\text{OUT}}} \text{Hz}$$

$$\text{RHP Zero: } Z3 = \frac{V_{\text{IN}}^2 \cdot R_L}{2 \cdot \pi \cdot V_{\text{OUT}}^2 \cdot L} \text{Hz}$$

$$\text{High Frequency Pole: } P3 > \frac{f_{\text{OSC}}}{3}$$

$$\text{Phase Lead Zero: } Z4 = \frac{1}{2 \cdot \pi \cdot (R_1 + R_{\text{PL}}) \cdot C_{\text{PL}}} \text{Hz}$$

$$\text{Phase Lead Pole: } P4 = \frac{1}{2 \cdot \pi \cdot \left(\frac{R_1 \cdot R_2}{R_1 + R_2} + R_{\text{PL}} \right) \cdot C_{\text{PL}}} \text{Hz}$$

Error Amplifier Filter Pole:

$$P5 = \frac{1}{2 \cdot \pi \cdot R_C \cdot \left(\frac{C_C \cdot C_F}{C_C + C_F} \right)} \text{Hz}$$

APPLICATIONS INFORMATION

The current mode zero (Z3) is a right half plane zero which can be an issue in feedback control design, but is manageable with proper external component selection. As a general rule, the frequency at which the open-loop gain of the converter is reduced to unity, known as the crossover frequency f_C , should be set to less than one third of the right half plane zero (Z3), and under one eighth of the switching frequency f_{OSC} . Once f_C is selected, the values for the compensation components can be calculated using a bode plot of the power stage or two generally valid assumptions: P1 dominates the gain of the power stage for frequencies lower than f_C and f_C is much higher than P2. First calculate the power stage gain at f_C , G_{fC} in V/V. Assuming the output pole P1 dominates G_{fC} for this range, it is expressed by:

$$G_{fC} \approx \frac{G_{DC}}{\sqrt{1 + \left(\frac{f_C}{P1}\right)^2}} \text{ V/V}$$

Decide how much phase margin (Φ_m) is desired. Greater phase margin can offer more stability while lower phase margin can yield faster transient response. Typically, $\Phi_m \approx 60^\circ$ is optimal for minimizing transient response time while allowing sufficient margin to account for component variability. Φ_1 is the phase boost of Z1, P2, and P5 while Φ_2 is the phase boost of Z4 and P4. Select Φ_1 and Φ_2 such that

$$\Phi_1 \leq 74^\circ; \Phi_2 \leq \left(2 \cdot \tan^{-1} \sqrt{\frac{V_{OUT}}{1.2V}}\right) - 90^\circ \text{ and}$$

$$\Phi_1 + \Phi_2 = \Phi_m + \tan^{-1} \left(\frac{f_C}{Z3}\right)$$

where V_{OUT} is in V and f_C and Z3 are in kHz.

Setting Z1, P5, Z4, and P4 such that

$$Z1 = \frac{f_C}{\sqrt{a_1}}, P5 = f_C \sqrt{a_1}, Z4 = \frac{f_C}{\sqrt{a_2}}, P4 = f_C \sqrt{a_2}$$

allows a_1 and a_2 to be determined using Φ_1 and Φ_2

$$a_1 = \tan^2 \left(\frac{\Phi_1 + 90^\circ}{2}\right), a_2 = \tan^2 \left(\frac{\Phi_2 + 90^\circ}{2}\right)$$

The compensation will force the converter gain G_{BOOST} to unity at f_C by using the following expression for C_C :

$$C_C = \frac{10^3 \cdot g_{ma} \cdot R2 \cdot G_{fC} (a_1 - 1) \sqrt{a_2}}{2\pi \cdot f_C \cdot (R1 + R2) \sqrt{a_1}} \text{ pF}$$

(g_{ma} in μS , f_C in kHz, G_{fC} in V/V)

Once C_C is calculated, R_C and C_F are determined by:

$$R_C = \frac{10^6 \cdot \sqrt{a_1}}{2\pi \cdot f_C \cdot C_C} \text{ k}\Omega \text{ (} f_C \text{ in kHz, } C_C \text{ in pF)}$$

$$C_F = \frac{C_C}{a_1 - 1}$$

The values of the phase lead components are given by the expressions:

$$R_{PL} = \frac{R1 - a_2 \cdot \left(\frac{R1 \cdot R2}{R1 + R2}\right)}{a_2 - 1} \text{ k}\Omega \text{ and}$$

$$C_{PL} = \frac{10^6 (a_2 - 1)(R1 + R2)}{2\pi \cdot f_C \cdot R1^2 \sqrt{a_2}} \text{ pF}$$

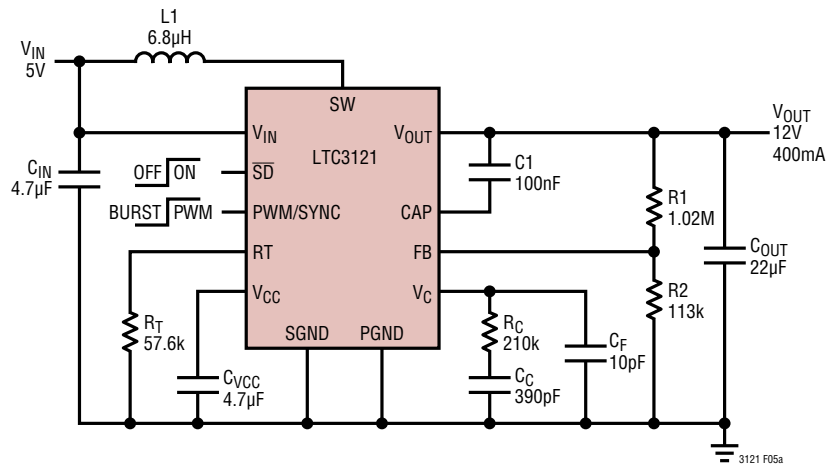
where $R1$, $R2$, and R_{PL} are in $\text{k}\Omega$ and f_C is in kHz.

Note that selecting $\Phi_2 = 0^\circ$ forces $a_2 = 1$, and so the converter will have Type II compensation and therefore no feedforward: R_{PL} is open (infinite impedance) and $C_{PL} = 0\text{pF}$. If $a_2 = 0.833 \cdot V_{OUT}$ (its maximum), feedforward is maximized; $R_{PL} = 0$ and C_{PL} is maximized for this compensation method.

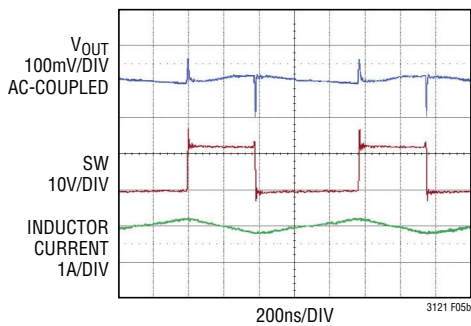
Once the compensation values have been calculated, obtaining a converter bode plot is strongly recommended to verify calculations and adjust values as required.

Using the circuit in Figure 5 as an example, Table 3 shows the parameters used to generate the bode plot shown in Figure 6.

APPLICATIONS INFORMATION



Switching Waveforms with 400mA Load



Transient Response with 200mA to 400mA Load Step

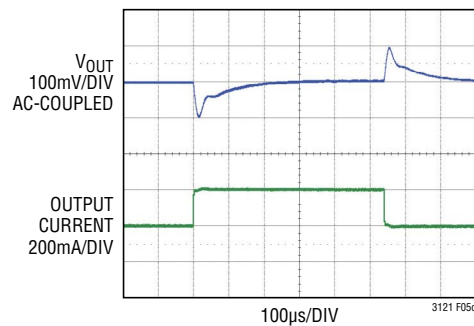


Figure 5. 1MHz, 5V to 12V, 400mA Boost Converter

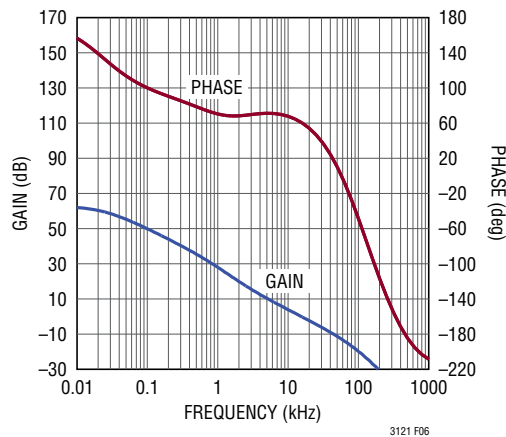


Figure 6. Bode Plot for Example Converter

APPLICATIONS INFORMATION

Table 3. Bode Plot Parameters for Type II Compensation

PARAMETER	VALUE	UNITS	COMMENT
V _{IN}	5	V	App Specific
V _{OUT}	12	V	App Specific
R _L	30	Ω	App Specific
C _{OUT}	22	μF	App Specific
R _{ESR}	5	mΩ	App Specific
L	6.8	μH	App Specific
f _{OSC}	1	MHz	Adjustable
R1	1020	kΩ	Adjustable
R2	113	kΩ	Adjustable
g _{ma}	95	μS	Fixed
R _O	10	MΩ	Fixed
g _{mp}	3.4	S	Fixed
η	92	%	App Specific
R _C	210	kΩ	Adjustable
C _C	390	pF	Adjustable
C _F	10	pF	Adjustable
R _{PL}	Open	kΩ	Optional
C _{PL}	0	pF	Optional

From Figure 6, the phase is 60° when the gain reaches 0dB, so the phase margin of the converter is 60°. The crossover frequency is 15kHz, which is more than three times lower than the 121.3kHz frequency of the RHP zero to achieve adequate phase margin.

The circuit in Figure 7 shows the same application as that in Figure 5 with Type III compensation. This is accomplished by adding C_{PL} and R_{PL} and adjusting C_C, C_F, and R_C accordingly. Table 4 shows the parameters used to generate the bode plot shown in Figure 8.

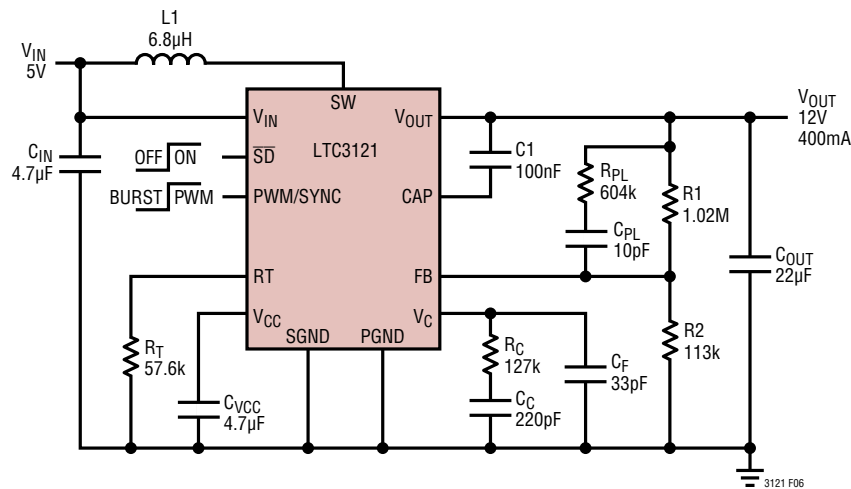


Figure 7. Boost Converter with Phase Lead

APPLICATIONS INFORMATION

Table 4. Bode Plot Parameters for Type III Compensation

PARAMETER	VALUE	UNITS	COMMENT
V_{IN}	5	V	App Specific
V_{OUT}	12	V	App Specific
R_L	30	Ω	App Specific
C_{OUT}	22	μ F	App Specific
R_{ESR}	5	m Ω	App Specific
L	6.8	μ H	App Specific
f_{OSC}	1	MHz	Adjustable
R1	1020	k Ω	Adjustable
R2	113	k Ω	Adjustable
g_{ma}	95	μ S	Fixed
R_O	10	M Ω	Fixed
g_{mp}	3.4	S	Fixed
η	92	%	App Specific
R_C	127	k Ω	Adjustable
C_C	220	pF	Adjustable
C_F	33	pF	Adjustable
R_{PL}	604	k Ω	Adjustable
C_{PL}	10	pF	Adjustable

From Figure 8, the phase margin is still optimized at 60° and the crossover frequency remains 15kHz. Adding C_{PL} and R_{PL} provides some feedforward signal in Burst Mode operation, leading to lower output voltage ripple.

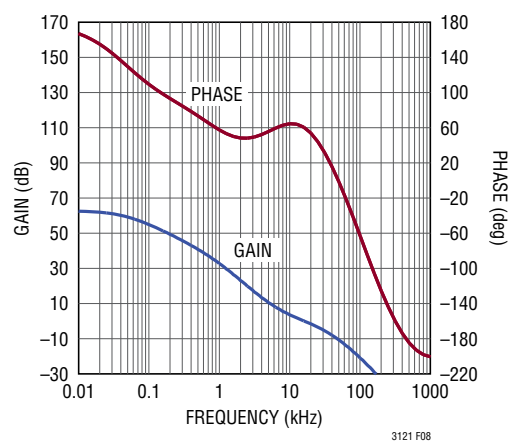
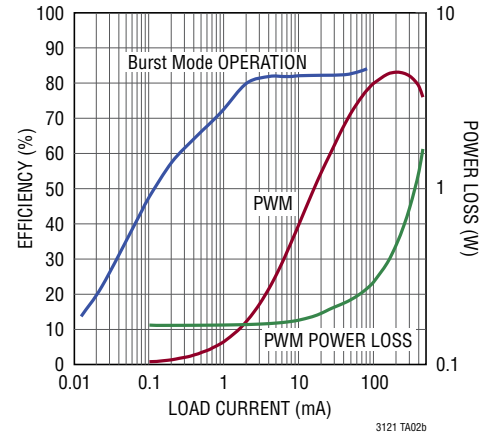
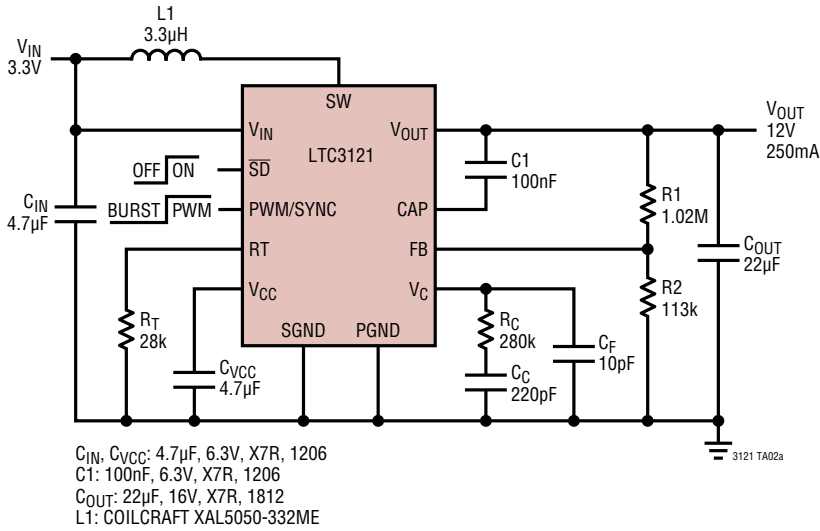


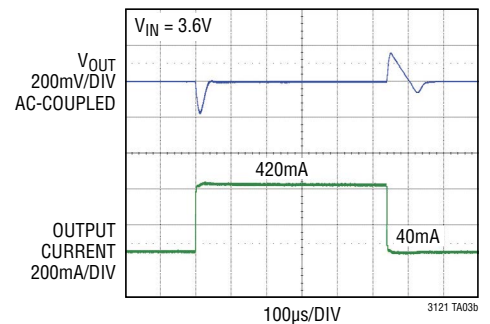
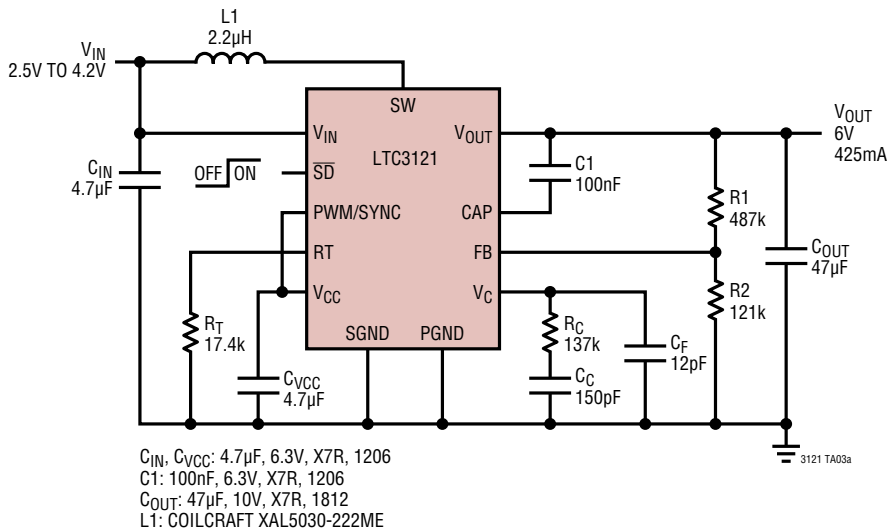
Figure 8. Bode Plot Showing Phase Lead

TYPICAL APPLICATIONS

3.3V to 12V, 2MHz Synchronous Boost Converter with Output Disconnect, 250mA

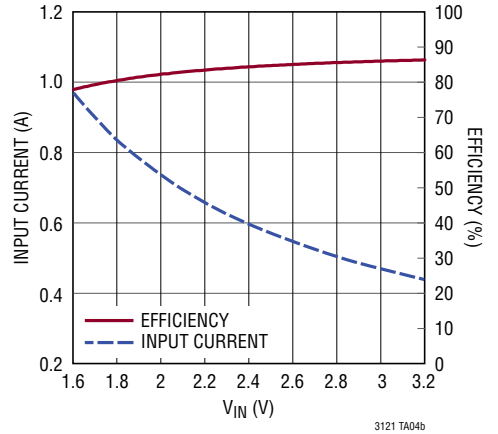
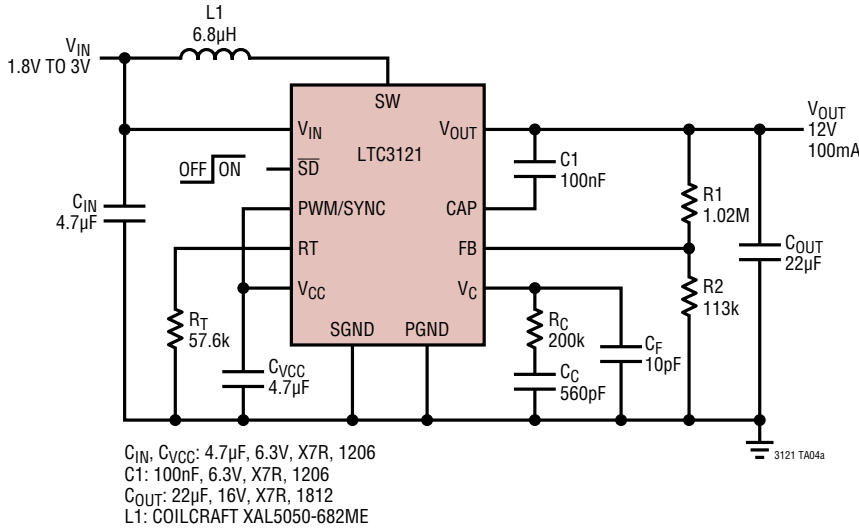


Single Li-Cell to 6V, 2.5W, 3MHz Synchronous Boost Converter for RF Transmitter

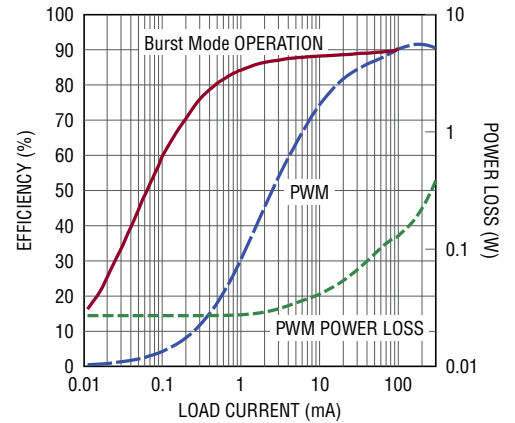
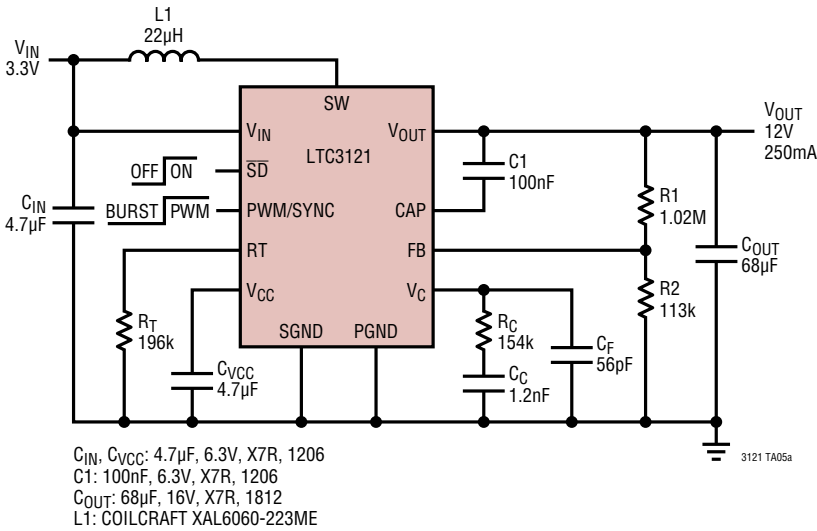


TYPICAL APPLICATIONS

2 AA Cell to 12V Synchronous Boost Converter, 100mA

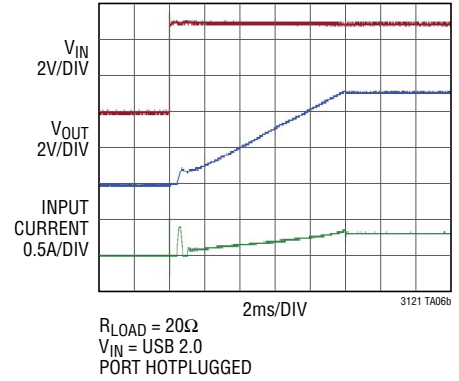
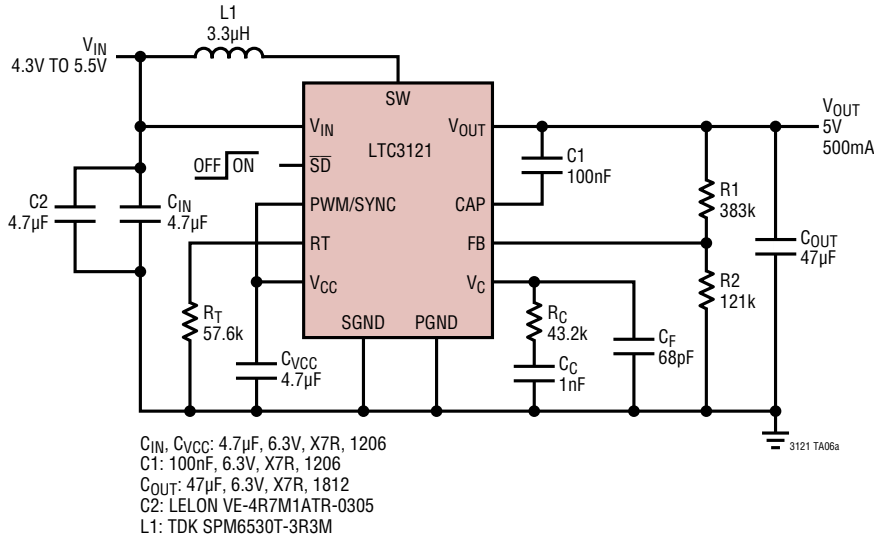


3.3V to 12V, 300kHz Synchronous Boost Converter with Output Disconnect, 250mA

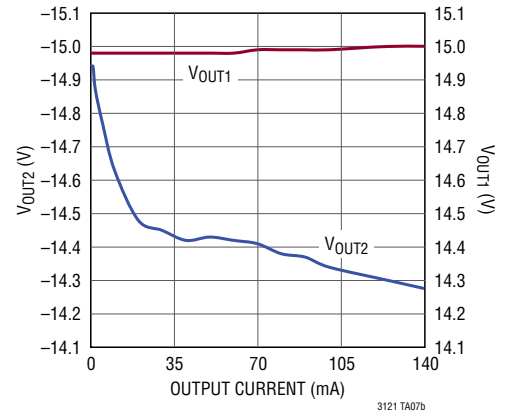
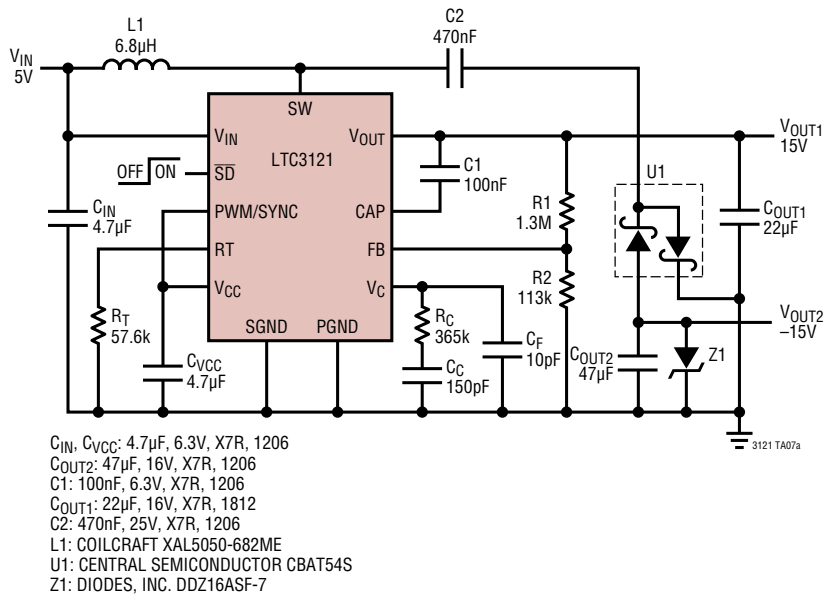


TYPICAL APPLICATIONS

USB/Battery Powered Synchronous Boost Converter, 4.3V to 5V, 500mA

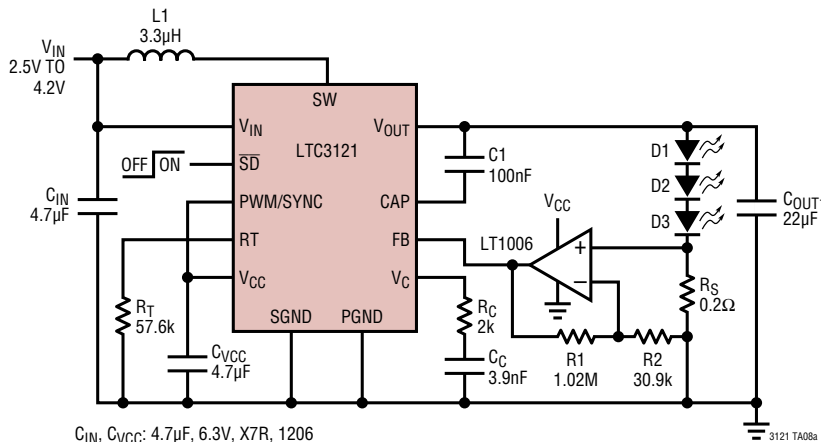


5V to Dual Output Synchronous Boost Converter, ±15V

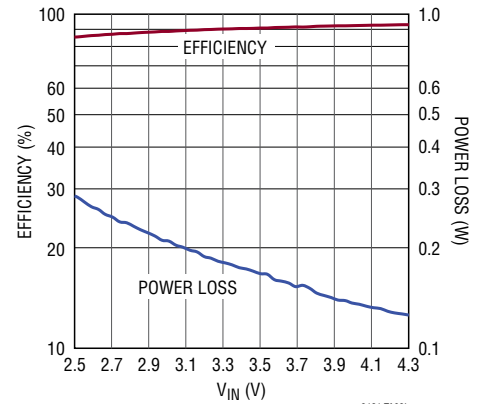


TYPICAL APPLICATIONS

Single Li-Cell 3-LED Driver, 2.5V/4.2V to 175mA



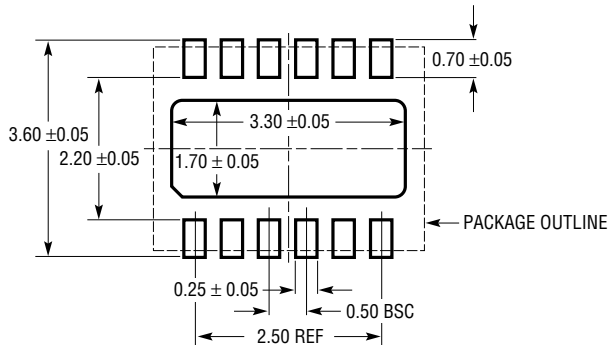
C_{IN} , C_{VCC} : 4.7µF, 6.3V, X7R, 1206
 C_1 : 100nF, 6.3V, X7R, 1206
 C_{OUT} : 22µF, 16V, X7R, 1812
 L_1 : TDK SPM6530T-3R3M
 D_1 , D_2 , D_3 : CREE XPGWHT-L1-0000-00G51



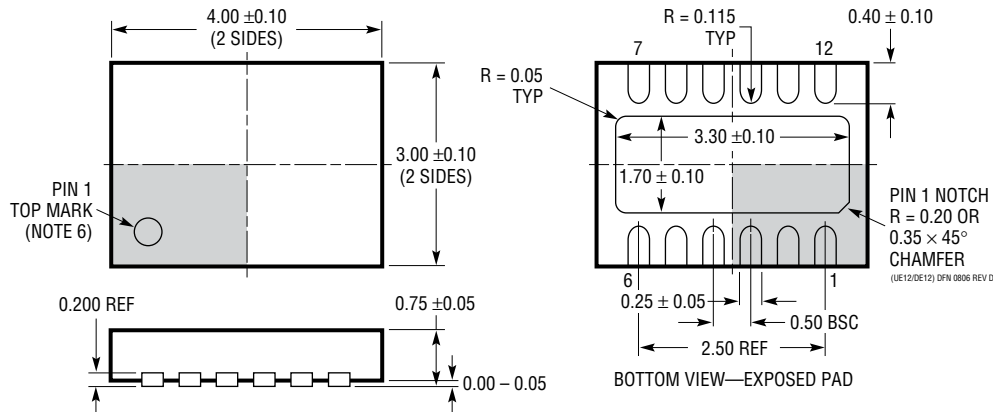
PACKAGE DESCRIPTION

Please refer to <http://www.linear.com/product/LTC3121#packaging> for the most recent package drawings.

DE/UE Package
12-Lead Plastic DFN (4mm × 3mm)
 (Reference LTC DWG # 05-08-1695 Rev D)



RECOMMENDED SOLDER PAD PITCH AND DIMENSIONS
 APPLY SOLDER MASK TO AREAS THAT ARE NOT SOLDERED



NOTE:

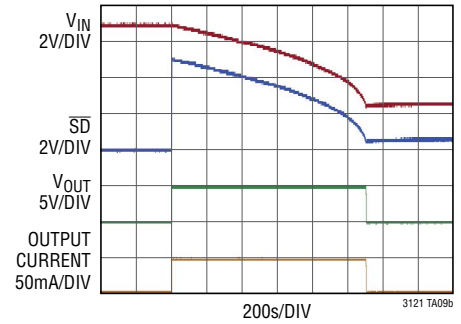
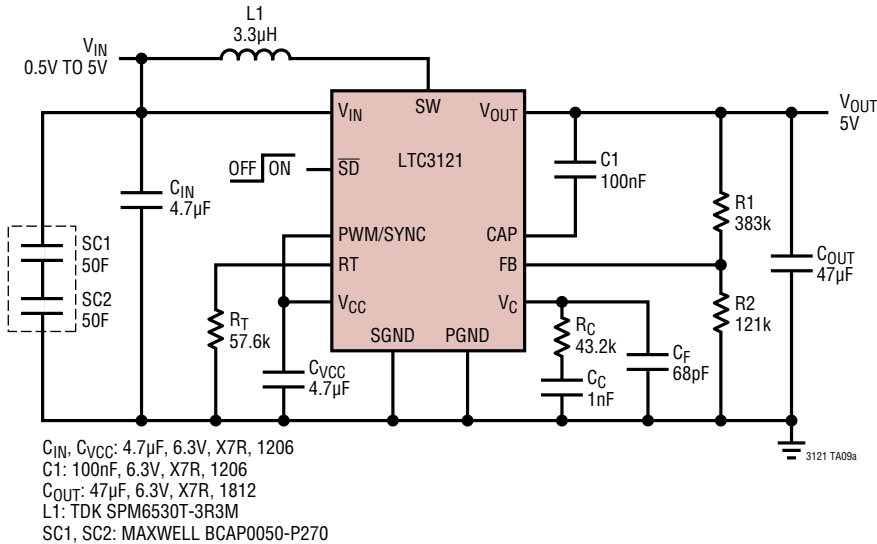
1. DRAWING PROPOSED TO BE A VARIATION OF VERSION (WGED) IN JEDEC PACKAGE OUTLINE M0-229
2. DRAWING NOT TO SCALE
3. ALL DIMENSIONS ARE IN MILLIMETERS
4. DIMENSIONS OF EXPOSED PAD ON BOTTOM OF PACKAGE DO NOT INCLUDE MOLD FLASH. MOLD FLASH, IF PRESENT, SHALL NOT EXCEED 0.15mm ON ANY SIDE
5. EXPOSED PAD SHALL BE SOLDER PLATED
6. SHADED AREA IS ONLY A REFERENCE FOR PIN 1 LOCATION ON THE TOP AND BOTTOM OF PACKAGE

REVISION HISTORY

REV	DATE	DESCRIPTION	PAGE NUMBER
A	04/16	Added Note 6.	3
		Added R1 label to schematic.	18
		Modified R1 and R2 values in Table 4.	19

TYPICAL APPLICATION

Dual Supercapacitor Backup Power Supply, 0.5V to 5V



RELATED PARTS

PART NUMBER	DESCRIPTION	COMMENTS
LTC3421	3A I_{SW} , 3MHz, Synchronous Step-Up DC/DC Converter with Output Disconnect	95% Efficiency, $V_{IN} = 0.5V$ to 4.5V, $V_{OUT(MAX)} = 5.25V$, $I_Q = 12\mu A$, $I_{SD} < 1\mu A$, QFN24 Package
LTC3422	1.5A I_{SW} , 3MHz Synchronous Step-Up DC/DC Converter with Output Disconnect	95% Efficiency, $V_{IN} = 0.5V$ to 4.5V, $V_{OUT(MAX)} = 5.25V$, $I_Q = 25\mu A$, $I_{SD} < 1\mu A$, 3mm x 3mm DFN Package
LTC3112	2.5A I_{SW} , 750kHz, Synchronous Buck-Boost DC/DC Converter with Output Disconnect, Burst Mode Operation	95% Efficiency, $V_{IN} = 2.7V$ to 15V, $V_{OUT(MAX)} = 14V$, $I_Q = 50\mu A$, $I_{SD} < 1\mu A$, 4mm x 5mm DFN and TSSOP Packages
LTC3458	1.4A I_{SW} , 1.5MHz, Synchronous Step-Up DC/DC Converter/ Output Disconnect/Burst Mode Operation	93% Efficiency, $V_{IN} = 1.5V$ to 6V, $V_{OUT(MAX)} = 7.5V$, $I_Q = 15\mu A$, $I_{SD} < 1\mu A$, DFN12 Package
LTC3528	1A I_{SW} , 1MHz, Synchronous Step-Up DC/DC Converter with Output Disconnect/Burst Mode Operation	94% Efficiency, $V_{IN} = 700mV$ to 5.25V, $V_{OUT(MAX)} = 5.25V$, $I_Q = 12\mu A$, $I_{SD} < 1\mu A$, 3mm x 2mm DFN Package
LTC3539	2A I_{SW} , 1MHz/2MHz, Synchronous Step-Up DC/DC Converters with Output Disconnect/Burst Mode Operation	94% Efficiency, $V_{IN} = 700mV$ to 5.25V, $V_{OUT(MAX)} = 5.25V$, $I_Q = 10\mu A$, $I_{SD} < 1\mu A$, 3mm x 2mm DFN Package
LTC3459	70mA I_{SW} , 10V Micropower Synchronous Boost Converter/ Output Disconnect/Burst Mode Operation	$V_{IN} = 1.5V$ to 5.5V, $V_{OUT(MAX)} = 10V$, $I_Q = 10\mu A$, $I_{SD} < 1\mu A$, ThinSOT™ Package
LTC3499	750mA Synchronous Step-Up DC/DC Converters with Reverse-Battery Protection	94% Efficiency, $V_{IN} = 1.8V$ to 5.5V, $V_{OUT(MAX)} = 6V$, $I_Q = 20\mu A$, $I_{SD} < 1\mu A$, 3mm x 3mm DFN and MSOP Packages
LTC3115-1	40V, 2A Synchronous Buck-Boost DC/DC Converter	95% Efficiency, $V_{IN} = 2.7V$ to 40V, $V_{OUT(MAX)} = 40V$, $I_Q = 50\mu A$, $I_{SD} < 3\mu A$, 4mm x 5mm DFN and TSSOP Packages
LTC3122	2.5A I_{SW} , 3MHz, Synchronous Step-Up DC/DC Converter with Output Disconnect, Burst Mode Operation	95% Efficiency, $V_{IN} = 1.8V$ to 5.5V [500mV After Start-Up], $V_{OUT(MAX)} = 15V$, $I_Q = 25\mu A$, $I_{SD} < 1\mu A$, 3mm x 4mm DFN and MSOP Packages
LTC3124	5A I_{SW} , 6MHz, Dual Phase, Synchronous Step-Up DC/DC Converter with Output Disconnect, Burst Mode Operation	95% Efficiency, $V_{IN} = 1.8V$ to 5.5V [500mV After Start-Up], $V_{OUT(MAX)} = 15V$, $I_Q = 25\mu A$, $I_{SD} < 1\mu A$, 3mm x 5mm DFN and TSSOP Packages