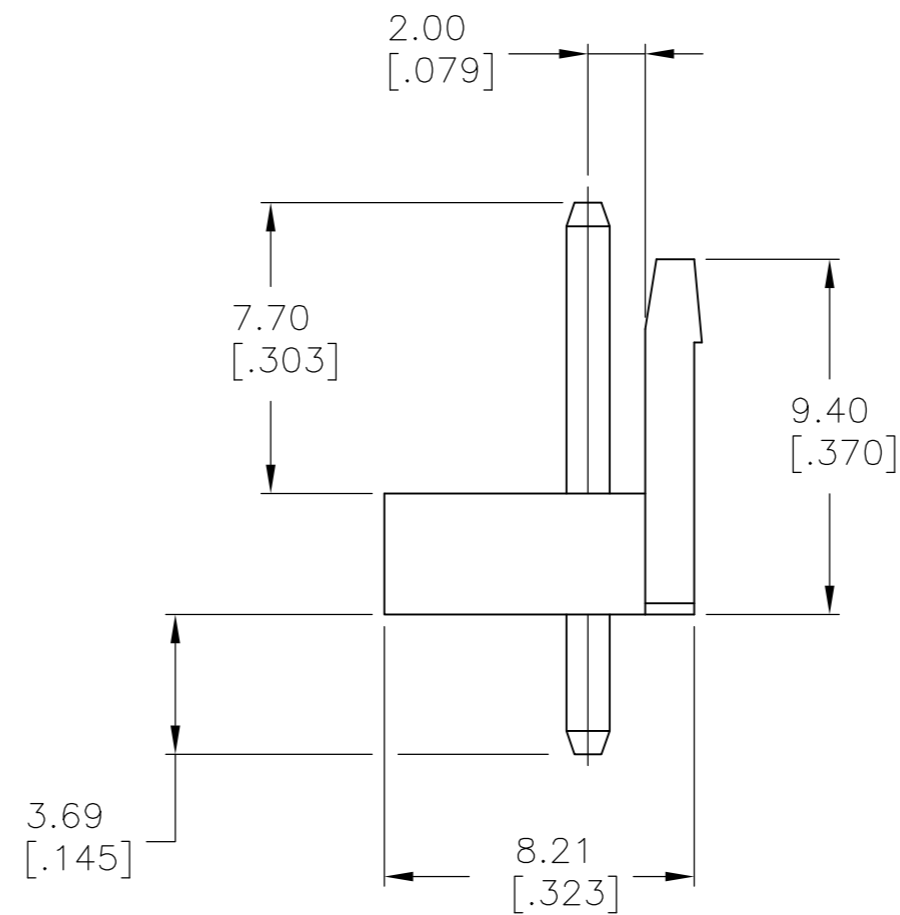
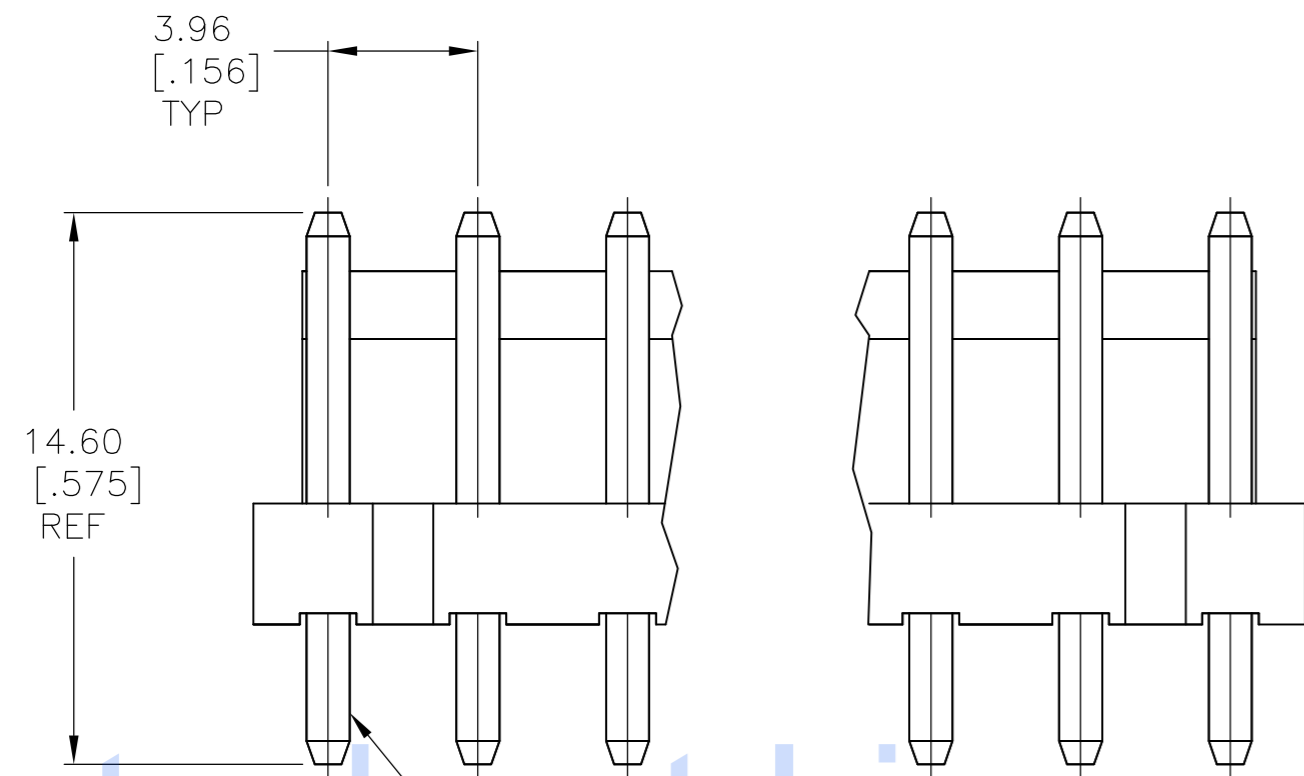
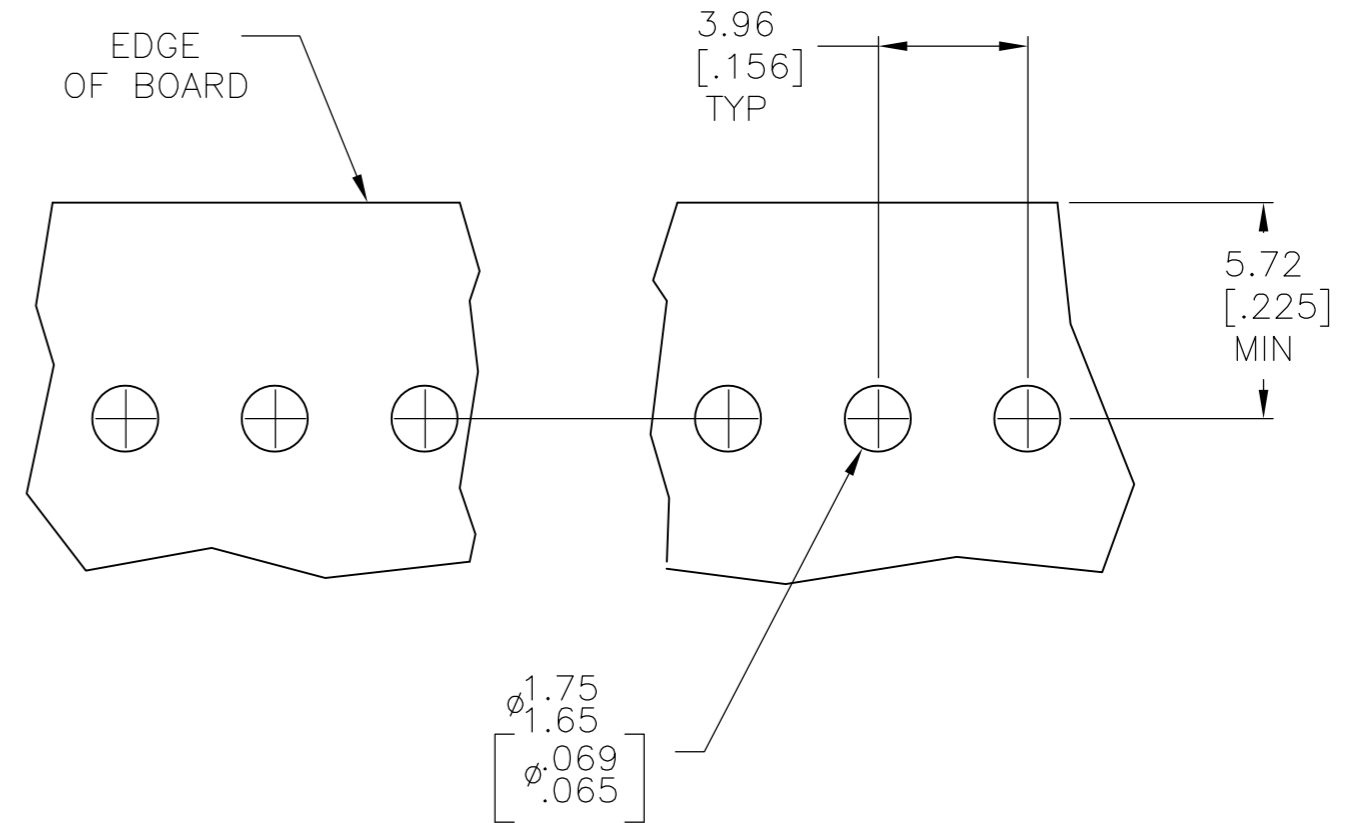
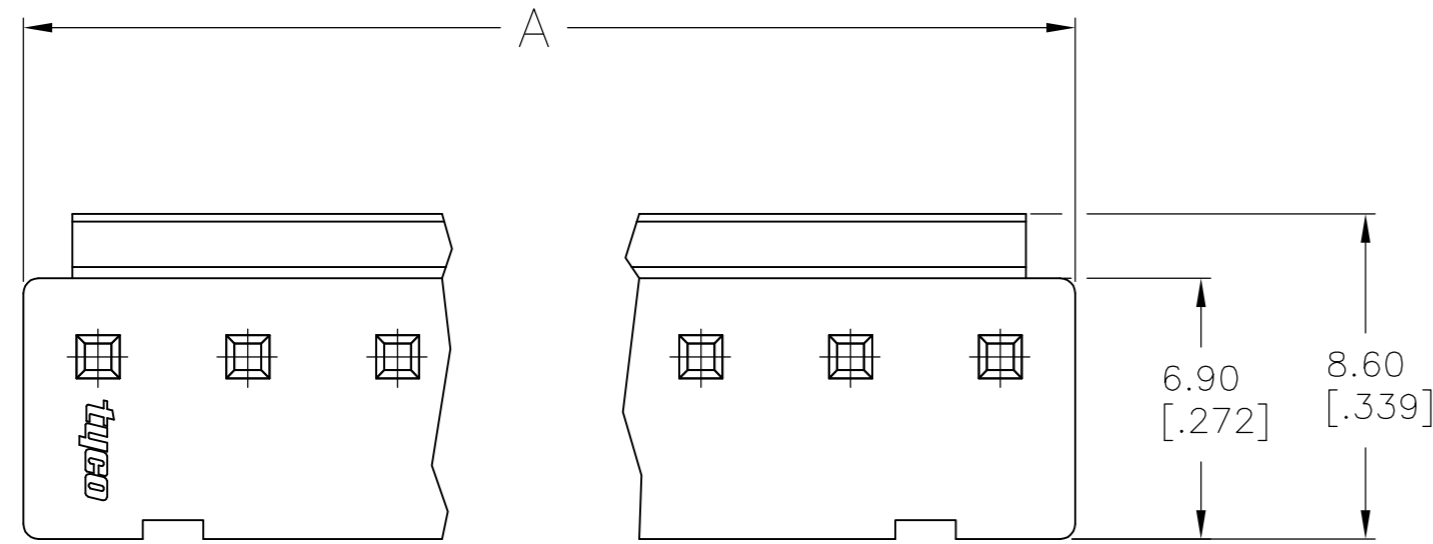


THIS DRAWING IS UNPUBLISHED. RELEASED FOR PUBLICATION  
 © COPYRIGHT BY TYCO ELECTRONICS CORPORATION. ALL RIGHTS RESERVED.

LOC		DIST		REVISIONS			
P	LTR	DESCRIPTION		DATE	DWN	APVD	
C		REVISED PER ECO-09-007684		09APR2009	CR	CR	



1. HOUSING MATERIAL: LCP, 20% GLASS FILLED.
2. CONTACT MATERIAL: BRASS
3. CONTACT PLATING: TIN
4. RATED FOR USE WITH IR REFLOW SOLDER PROCESSING UP TO 280° C FOR 10 SECONDS MAX.

NUMBER OF POSITIONS	mm	[IN]	PART NUMBER
11	43.56	[1.715]	1-1744055-1
10	39.60	[1.559]	1-1744055-0
9	35.64	[1.403]	1744055-9
8	31.68	[1.247]	1744055-8
7	27.72	[1.091]	1744055-7
6	23.76	[.935]	1744055-6
5	19.80	[.780]	1744055-5
4	15.84	[.624]	1744055-4
3	11.88	[.468]	1744055-3
2	7.92	[.312]	1744055-2

Datasheet Live

THIS DRAWING IS A CONTROLLED DOCUMENT.

DWN	S. HOOVER	01APR04	Tyco Electronics Corporation Harrisburg, Pa 17105-3608			
CHK	J. ELLIS	01APR04				
APVD	J. ELLIS	01APR04				
PRODUCT SPEC						
APPLICATION SPEC			NAME			
			HEADER ASSEMBLY-ECONOMY POWER VERTICAL, HIGH TEMPERATURE			
MATERIAL	SEE NOTES	FINISH	SCALE	CAGE CODE	DRAWING NO	RESTRICTED TO
			A2	00779	C=1744055	
CUSTOMER DRAWING			SCALE	SHEET	OF	REV
			5:1	1	1	C