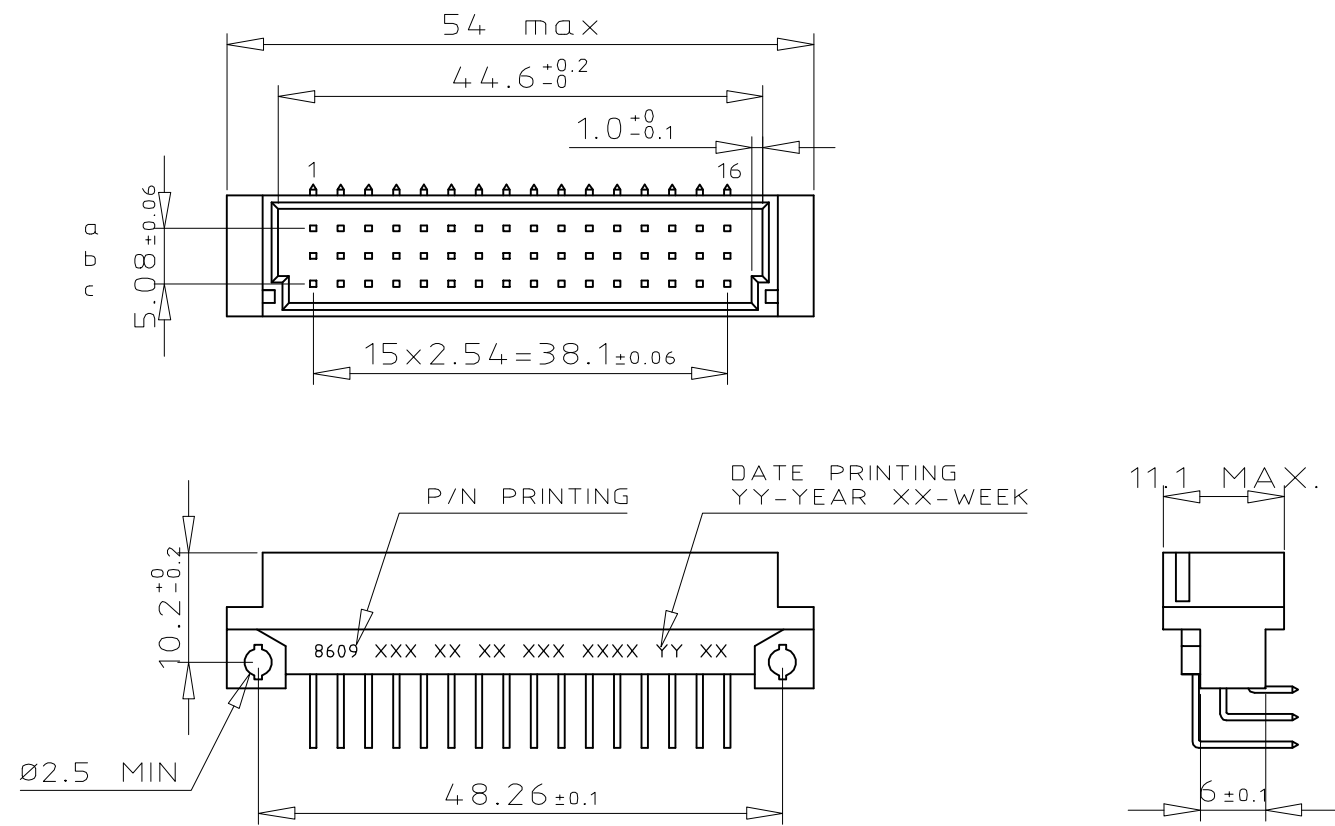
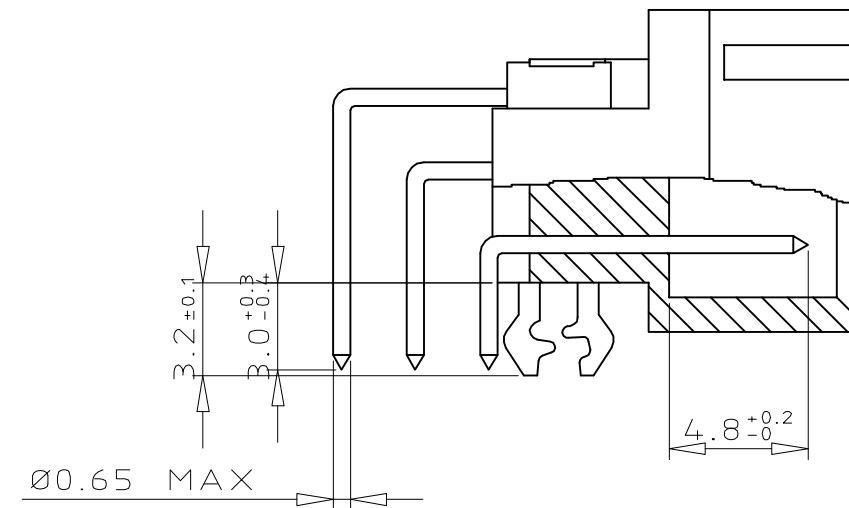


DIMENSIONS



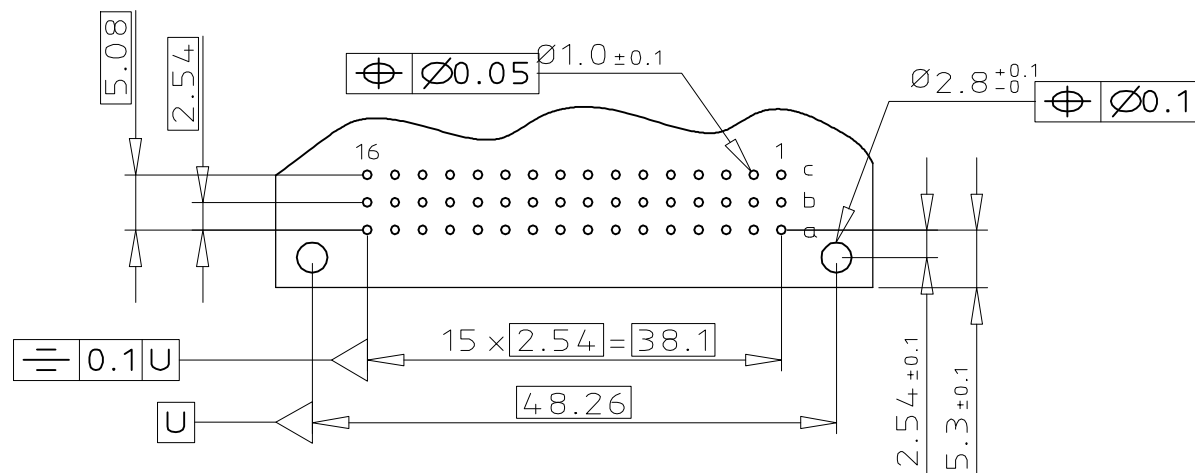
TERMINATION



ORDERING INFORMATION

SERIES	8609	3	48	7	3	13	7	4	5	ELF
ROWS FITTED WITH CONTACTS										
ROW a			16							
ROW a b c			48							
ROW a - c			32							
NO. OF CONTACTS										
TYPE OF INSULATOR										
3 ROW MALE INSULATOR						7				
METHOD OF MOUNTING										
STANDARD MOUNTING - STYLE C/2									3	
TERMINATION										
ANGLED SPILL										13
OPTIONS										
NO OPTION										7
WITH HARPOONS										H
PERFORMANCE CLASS										
DIN 41612 CLASS 3										4
DIN 41612 CLASS 2										6
DIN 41612 CLASS 1										8
AS PER MIL C 55302 / JSS 50808										
PITCH PER ROW										
2.54 mm										5
LEAD FREE VERSION										ELF

PCB LAYOUT



GENERAL CHARACTERISTICS & RoHS INFO

REFER DRAWING C-8609-0000A

mat'l. code	surface	tolerance	projection	product family
SEE DWG C-8609-0000A	ISO 1302 ✓	ISO 406 ISO 1101		8609
ltr	ecn no	dr	date	title
A	104-0063	MINI	2004-09-17	DIN STANDARD HEADER DIN 41612 STYLE C/2
B	104-0100	MINI	2004-11-09	
C	105-0089	MINI	2005-05-19	dwg no sheet 1 of 1 size C-8609-2003 A3
D	106-0061	MINI	2006-05-31	
E	108-0146	KR	2008-10-21	type Product Customer Drawing
F	109-0217	KR	2009-10-13	
G	110-0020	KR	2010-01-13	
sheet index	revision sheet	G	1	