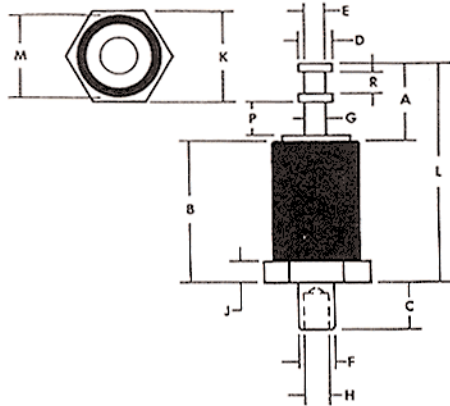




EMC® Product "DTS" Series



Plating:

- 14: 400µ" Tin terminal, 200µ" Cadmium Chromate base/eyelet
- 4: 30µ" Gold terminal, 200µ" Cadmium Chromate base/eyelet
- 17: 400µ" Tin terminal, 200µ" Nickel base/eyelet
- 52: 400µ" Tin terminal, 200µ" Cadmium Chromate base/eyelet

Material:

Terminal: Brass, 1/2-hard, QQ-B-626
 Base/Eyelet: Brass, 1/2-hard, QQ-B-626
 Insulator: Diallyl Phthalate, MIL-M-14F Type SDG

Type 92

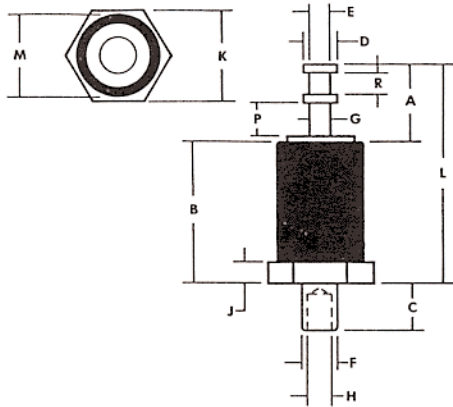
Type 92 Continued On Next Page →

Type	EMC Part #	Flash-over Volt.	A	B	C	D	E	F	G	H	J	K	L	M	P	R
92	5658-14-1	12000	.344 (8.74)	.594 (15.09)	.156 (3.96)	.140 (3.56)	.062 (1.57)	.098 (2.49)	.078 (1.98)	.064 (1.63)	.062 (1.57)	.250 (6.35)	.938 (23.83)	.232 (5.89)	.139 (3.53)	.093 (2.36)
92	2588-14-1	12000	.219 (5.56)	.281 (7.14)	.093 (2.36)	.093 (2.36)	.050 (1.27)	.098 (2.49)	.050 (1.27)	.062 (1.57)	.062 (1.57)	.250 (6.35)	.813 (20.65)	.232 (5.89)	.089 (2.26)	.052 (1.32)
92	2592-14-1	12000	.219 (5.56)	.594 (15.09)	.093 (2.36)	.093 (2.36)	.050 (1.27)	.141 (3.58)	.050 (1.27)	.116 (2.95)	.062 (1.57)	.250 (6.35)	.813 (20.65)	.232 (5.89)	.089 (2.26)	.052 (1.32)
92	5672-52-6	12000	.219 (5.56)	.594 (15.09)	.094 (2.39)	.093 (2.36)	.047 (1.19)	.098 (2.49)	.047 (1.19)	.064 (1.63)	.062 (1.57)	.250 (6.35)	.813 (20.65)	.232 (5.89)	.093 (2.36)	.063 (1.60)
92	2589-14-1	12000	.219 (5.56)	.594 (15.09)	.125 (3.18)	.093 (2.36)	.050 (1.27)	.098 (2.49)	.050 (1.27)	.062 (1.57)	.062 (1.57)	.250 (6.35)	.813 (20.65)	.232 (5.89)	.089 (2.26)	.052 (1.32)
92	2593-14-1	12000	.219 (5.56)	.594 (15.09)	.125 (3.18)	.093 (2.36)	.050 (1.27)	.141 (3.58)	.050 (1.27)	.116 (2.95)	.062 (1.57)	.250 (6.35)	.813 (20.65)	.232 (5.89)	.089 (2.26)	.052 (1.32)
92	5673-14-1	12000	.219 (5.56)	.594 (15.09)	.125 (3.18)	.093 (2.36)	.047 (1.19)	.098 (2.49)	.047 (1.19)	.064 (1.63)	.062 (1.57)	.250 (6.35)	.813 (20.65)	.232 (5.89)	.093 (2.36)	.063 (1.60)
92	5677-52-6	12000	.219 (5.56)	.594 (15.09)	.125 (3.18)	.093 (2.36)	.047 (1.19)	.141 (3.58)	.047 (1.19)	.116 (2.95)	.062 (1.57)	.250 (6.35)	.813 (20.65)	.232 (5.89)	.093 (2.36)	.063 (1.60)
92	2590-14-1	12000	.219 (5.56)	.594 (15.09)	.156 (3.96)	.093 (2.36)	.050 (1.27)	.098 (2.49)	.050 (1.27)	.062 (1.57)	.062 (1.57)	.250 (6.35)	.813 (20.65)	.232 (5.89)	.089 (2.26)	.052 (1.32)
92	2594-14-1	12000	.219 (5.56)	.594 (15.09)	.156 (3.96)	.093 (2.36)	.050 (1.27)	.141 (3.58)	.050 (1.27)	.116 (2.95)	.062 (1.57)	.250 (6.35)	.813 (20.65)	.232 (5.89)	.089 (2.26)	.052 (1.32)
92	5674-52-6	12000	.219 (5.56)	.594 (15.09)	.156 (3.96)	.093 (2.36)	.047 (1.19)	.098 (2.49)	.047 (1.19)	.064 (1.63)	.062 (1.57)	.250 (6.35)	.813 (20.65)	.232 (5.89)	.093 (2.36)	.063 (1.60)
92	5678-52-6	12000	.219 (5.56)	.594 (15.09)	.156 (3.96)	.093 (2.36)	.047 (1.19)	.141 (3.58)	.047 (1.19)	.116 (2.95)	.062 (1.57)	.250 (6.35)	.813 (20.65)	.232 (5.89)	.093 (2.36)	.063 (1.60)
92	2591-14-1	12000	.219 (5.56)	.594 (15.09)	.234 (5.94)	.093 (2.36)	.050 (1.27)	.098 (2.49)	.050 (1.27)	.062 (1.57)	.062 (1.57)	.250 (6.35)	.813 (20.65)	.232 (5.89)	.089 (2.26)	.052 (1.32)
92	5675-52-6	12000	.219 (5.56)	.594 (15.09)	.234 (5.94)	.093 (2.36)	.047 (1.19)	.098 (2.49)	.047 (1.19)	.064 (1.63)	.062 (1.57)	.250 (6.35)	.813 (20.65)	.232 (5.89)	.093 (2.36)	.063 (1.60)
92	5679-52-6	12000	.219 (5.56)	.594 (15.09)	.234 (5.94)	.093 (2.36)	.047 (1.19)	.141 (3.58)	.047 (1.19)	.116 (2.95)	.062 (1.57)	.250 (6.35)	.813 (20.65)	.232 (5.89)	.093 (2.36)	.063 (1.60)
92	2117-14-1	12000	.344 (8.74)	.594 (15.09)	.094 (2.39)	.140 (3.56)	.062 (1.57)	.098 (2.49)	.078 (1.98)	.062 (1.57)	.062 (1.57)	.250 (6.35)	.938 (23.83)	.232 (5.89)	.158 (4.01)	.097 (2.46)
92	2560-14-1	12000	.344 (8.74)	.594 (15.09)	.093 (2.36)	.140 (3.56)	.062 (1.57)	.141 (3.58)	.078 (1.98)	.116 (2.95)	.062 (1.57)	.250 (6.35)	.938 (23.83)	.232 (5.89)	.158 (4.01)	.097 (2.46)
92	4026-14-1	12000	.344 (8.74)	.594 (15.09)	.094 (2.39)	.140 (3.56)	.062 (1.57)	.098 (2.49)	.078 (1.98)	.062 (1.57)	.062 (1.57)	.250 (6.35)	.938 (23.83)	.232 (5.89)	.158 (4.01)	.097 (2.46)
92	5656-52-6	12000	.344 (8.74)	.594 (15.09)	.094 (2.39)	.140 (3.56)	.062 (1.57)	.098 (2.49)	.078 (1.98)	.064 (1.63)	.062 (1.57)	.250 (6.35)	.938 (23.83)	.232 (5.89)	.139 (3.53)	.093 (2.36)
92	5660-52-6	12000	.344 (8.74)	.594 (15.09)	.094 (2.39)	.140 (3.56)	.062 (1.57)	.141 (3.58)	.078 (1.98)	.116 (2.95)	.062 (1.57)	.250 (6.35)	.938 (23.83)	.232 (5.89)	.139 (3.53)	.093 (2.36)
92	2119-14-1	12000	.344 (8.74)	.594 (15.09)	.125 (3.18)	.140 (3.56)	.062 (1.57)	.098 (2.49)	.078 (1.98)	.062 (1.57)	.062 (1.57)	.250 (6.35)	.938 (23.83)	.232 (5.89)	.158 (4.01)	.097 (2.46)
92	2561-14-1	12000	.344 (8.74)	.594 (15.09)	.125 (3.18)	.140 (3.56)	.062 (1.57)	.141 (3.58)	.078 (1.98)	.116 (2.95)	.062 (1.57)	.250 (6.35)	.938 (23.83)	.232 (5.89)	.158 (4.01)	.097 (2.46)

inch
(mm)



EMC® Product "DTS" Series



Plating:

- 14: 400µ" Tin terminal, 200µ" Cadmium Chromate base/eyelet
- 4: 30µ" Gold terminal, 200µ" Cadmium Chromate base/eyelet
- 17: 400µ" Tin terminal, 200µ" Nickel base/eyelet
- 52: 400µ" Tin terminal, 200µ" Cadmium Chromate base/eyelet

Material:

Terminal: Brass, 1/2-hard, QQ-B-626
 Base/Eyelet: Brass, 1/2-hard, QQ-B-626
 Insulator: Diallyl Phthalate, MIL-M-14F Type SDG

Type 92

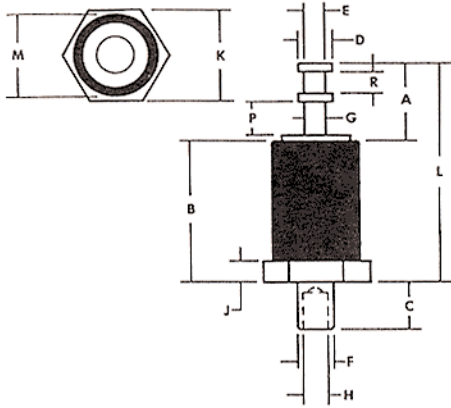
Type 92 Continued On Next Page →

Type	EMC Part #	Flash-over Volt.	A	B	C	D	E	F	G	H	J	K	L	M	P	R
92	5657-52-6	12000	.344 (8.74)	.594 (15.09)	.125 (3.18)	.140 (3.56)	.062 (1.57)	.098 (2.49)	.078 (1.98)	.064 (1.63)	.062 (1.57)	.250 (6.35)	.938 (28.83)	.232 (5.89)	.139 (3.53)	.093 (2.36)
92	5661-52-6	12000	.344 (8.74)	.594 (15.09)	.125 (3.18)	.140 (3.56)	.062 (1.57)	.141 (3.58)	.078 (1.98)	.116 (2.95)	.062 (1.57)	.250 (6.35)	.938 (28.83)	.232 (5.89)	.139 (3.53)	.093 (2.36)
92	2558-14-1	12000	.344 (8.74)	.594 (15.09)	.156 (3.96)	.140 (3.56)	.062 (1.57)	.098 (2.49)	.078 (1.98)	.062 (1.57)	.062 (1.57)	.250 (6.35)	.938 (28.83)	.232 (5.89)	.158 (4.01)	.097 (2.46)
92	2562-14-1	12000	.344 (8.74)	.594 (15.09)	.156 (3.96)	.140 (3.56)	.062 (1.57)	.141 (3.58)	.078 (1.98)	.116 (2.95)	.062 (1.57)	.250 (6.35)	.938 (28.83)	.232 (5.89)	.158 (4.01)	.097 (2.46)
92	5662-52-6	12000	.344 (8.74)	.594 (15.09)	.156 (3.96)	.140 (3.56)	.062 (1.57)	.141 (3.58)	.078 (1.98)	.116 (2.95)	.062 (1.57)	.250 (6.35)	.938 (28.83)	.232 (5.89)	.139 (3.53)	.093 (2.36)
92	4685-14-1	12000	.344 (8.74)	.594 (15.09)	.171 (4.34)	.140 (3.56)	.062 (1.57)	.098 (2.49)	.078 (1.98)	.074 (1.88)	.062 (1.57)	.250 (6.35)	.938 (28.83)	.232 (5.89)	.158 (4.01)	.097 (2.46)
92	2559-14-1	12000	.344 (8.74)	.594 (15.09)	.234 (5.94)	.140 (3.56)	.062 (1.57)	.098 (2.49)	.078 (1.98)	.062 (1.57)	.062 (1.57)	.250 (6.35)	.938 (28.83)	.232 (5.89)	.158 (4.01)	.097 (2.46)
92	2563-14-1	12000	.344 (8.74)	.594 (15.09)	.234 (5.94)	.140 (3.56)	.062 (1.57)	.141 (3.58)	.078 (1.98)	.116 (2.95)	.062 (1.57)	.250 (6.35)	.938 (28.83)	.232 (5.89)	.158 (4.01)	.097 (2.46)
92	5659-52-6	12000	.344 (8.74)	.594 (15.09)	.234 (5.94)	.140 (3.56)	.062 (1.57)	.098 (2.49)	.078 (1.98)	.064 (1.63)	.062 (1.57)	.250 (6.35)	.938 (28.83)	.232 (5.89)	.139 (3.53)	.093 (2.36)
92	5663-52-6	12000	.344 (8.74)	.594 (15.09)	.234 (5.94)	.140 (3.56)	.062 (1.57)	.141 (3.58)	.078 (1.98)	.116 (2.95)	.062 (1.57)	.250 (6.35)	.938 (28.83)	.232 (5.89)	.139 (3.53)	.093 (2.36)
92	5676-14-1	12000	.219 (5.56)	.594 (15.09)	.094 (2.39)	.093 (2.36)	.047 (1.19)	.141 (3.58)	.047 (1.19)	.116 (2.95)	.062 (1.57)	.250 (6.35)	.813 (20.65)	.232 (5.89)	.093 (2.36)	.063 (1.60)
92	2109-14-1	10000	.344 (8.74)	.531 (13.49)	.093 (2.36)	.140 (3.56)	.062 (1.57)	.098 (2.49)	.078 (1.98)	.062 (1.57)	.062 (1.57)	.250 (6.35)	.875 (22.23)	.232 (5.89)	.158 (4.01)	.097 (2.46)
92	2111-14-1	10000	.344 (8.74)	.531 (13.49)	.125 (3.18)	.140 (3.56)	.062 (1.57)	.098 (2.49)	.078 (1.98)	.062 (1.57)	.062 (1.57)	.250 (6.35)	.875 (22.23)	.232 (5.89)	.158 (4.01)	.097 (2.46)
92	4684-14-1	10000	.344 (8.74)	.531 (13.49)	.125 (3.18)	.140 (3.56)	.062 (1.57)	.125 (3.18)	.078 (1.98)	.116 (2.95)	.062 (1.57)	.250 (6.35)	.875 (22.23)	.232 (5.89)	.158 (4.01)	.097 (2.46)
92	4681-14-1	10000	.344 (8.74)	.531 (13.49)	.140 (3.56)	.140 (3.56)	.062 (1.57)	.098 (2.49)	.078 (1.98)	.074 (1.88)	.062 (1.57)	.250 (6.35)	.875 (22.23)	.232 (5.89)	.158 (4.01)	.097 (2.46)
92	3369-14-1	10000	.344 (8.74)	.531 (13.49)	.156 (3.96)	.140 (3.56)	.062 (1.57)	.098 (2.49)	.078 (1.98)	.098 (2.49)	.062 (1.57)	.250 (6.35)	.875 (22.23)	.232 (5.89)	.158 (4.01)	.097 (2.46)
92	4680-14-1	10000	.344 (8.74)	.531 (13.49)	.156 (3.96)	.140 (3.56)	.062 (1.57)	.098 (2.49)	.078 (1.98)	.074 (1.88)	.062 (1.57)	.250 (6.35)	.875 (22.23)	.232 (5.89)	.158 (4.01)	.097 (2.46)
92	4682-12-1	10000	.344 (8.74)	.531 (13.49)	.171 (4.34)	.140 (3.56)	.062 (1.57)	.098 (2.49)	.078 (1.98)	.074 (1.88)	.062 (1.57)	.250 (6.35)	.875 (22.23)	.232 (5.89)	.158 (4.01)	.097 (2.46)
92	4700-14-1	9000	.344 (8.74)	.500 (12.70)	.093 (2.36)	.140 (3.56)	.062 (1.57)	.098 (2.49)	.078 (1.98)	.074 (1.88)	.062 (1.57)	.250 (6.35)	.843 (21.41)	.232 (5.89)	.158 (4.01)	.097 (2.46)
92	4701-14-1	9000	.344 (8.74)	.500 (12.70)	.171 (4.34)	.140 (3.56)	.062 (1.57)	.098 (2.49)	.078 (1.98)	.074 (1.88)	.062 (1.57)	.250 (6.35)	.843 (21.41)	.232 (5.89)	.158 (4.01)	.097 (2.46)
92	3116-14-1	8200	.313 (7.95)	.390 (9.91)	.093 (2.36)	.083 (2.11)	.056 (1.42)	.078 (1.98)	.056 (1.42)	.067 (1.70)	.046 (1.17)	.156 (3.96)	.703 (17.86)	.146 (3.71)	.184 (4.67)	.073 (1.85)

inch
(mm)



EMC® Product "DTS" Series



Type 92

Type 92 Continued On Next Page →

Plating:

- 14: 400µ" Tin terminal, 200µ" Cadmium Chromate base/eyelet
- 4: 30µ" Gold terminal, 200µ" Cadmium Chromate base/eyelet
- 17: 400µ" Tin terminal, 200µ" Nickel base/eyelet
- 52: 400µ" Tin terminal, 200µ" Cadmium Chromate base/eyelet

Material:

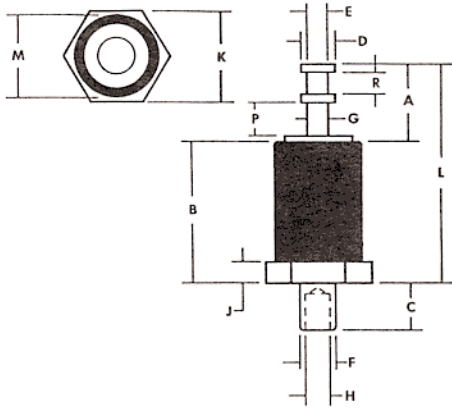
Terminal: Brass, 1/2-hard, QQ-B-626
 Base/Eyelet: Brass, 1/2-hard, QQ-B-626
 Insulator: Diallyl Phthalate, MIL-M-14F Type SDG

Type	EMC Part #	Flash-over Volt.	A	B	C	D	E	F	G	H	J	K	L	M	P	R
92	2580-14-1	8000	.219 (5.56)	.375 (9.53)	.093 (2.36)	.093 (2.36)	.050 (1.27)	.098 (2.49)	.050 (1.27)	.062 (1.57)	.062 (1.57)	.250 (6.35)	.594 (15.09)	.232 (5.89)	.089 (2.26)	.052 (1.32)
92	2584-14-1	8000	.219 (5.56)	.375 (9.53)	.093 (2.36)	.093 (2.36)	.050 (1.27)	.141 (3.58)	.050 (1.27)	.116 (2.95)	.062 (1.57)	.250 (6.35)	.594 (15.09)	.232 (5.89)	.089 (2.26)	.052 (1.32)
92	5664-52-6	8000	.219 (5.56)	.375 (9.53)	.094 (2.39)	.093 (2.36)	.047 (1.19)	.098 (2.49)	.047 (1.19)	.064 (1.63)	.062 (1.57)	.250 (6.35)	.594 (15.09)	.232 (5.89)	.093 (2.36)	.063 (1.60)
92	2581-14-1	8000	.219 (5.56)	.375 (9.53)	.125 (3.18)	.093 (2.36)	.050 (1.27)	.098 (2.49)	.050 (1.27)	.062 (1.57)	.062 (1.57)	.250 (6.35)	.594 (15.09)	.232 (5.89)	.089 (2.26)	.052 (1.32)
92	2585-14-1	8000	.219 (5.56)	.375 (9.53)	.125 (3.18)	.093 (2.36)	.050 (1.27)	.141 (3.58)	.050 (1.27)	.116 (2.95)	.062 (1.57)	.250 (6.35)	.594 (15.09)	.232 (5.89)	.089 (2.26)	.052 (1.32)
92	5669-52-6	8000	.219 (5.56)	.375 (9.53)	.125 (3.18)	.093 (2.36)	.047 (1.19)	.141 (3.58)	.047 (1.19)	.116 (2.95)	.062 (1.57)	.250 (6.35)	.594 (15.09)	.232 (5.89)	.093 (2.36)	.063 (1.60)
92	2582-14-1	8000	.219 (5.56)	.375 (9.53)	.156 (3.96)	.093 (2.36)	.050 (1.27)	.098 (2.49)	.050 (1.27)	.062 (1.57)	.062 (1.57)	.250 (6.35)	.594 (15.09)	.232 (5.89)	.089 (2.26)	.052 (1.32)
92	2589-14-1	8000	.219 (5.56)	.375 (9.53)	.156 (3.96)	.093 (2.36)	.050 (1.27)	.141 (3.58)	.050 (1.27)	.116 (2.95)	.062 (1.57)	.250 (6.35)	.594 (15.09)	.232 (5.89)	.089 (2.26)	.052 (1.32)
92	5666-52-6	8000	.219 (5.56)	.375 (9.53)	.156 (3.96)	.093 (2.36)	.047 (1.19)	.098 (2.49)	.047 (1.19)	.064 (1.63)	.062 (1.57)	.250 (6.35)	.594 (15.09)	.232 (5.89)	.093 (2.36)	.063 (1.60)
92	5670-52-6	8000	.219 (5.56)	.375 (9.53)	.156 (3.96)	.093 (2.36)	.047 (1.19)	.141 (3.58)	.047 (1.19)	.116 (2.95)	.062 (1.57)	.250 (6.35)	.594 (15.09)	.232 (5.89)	.093 (2.36)	.063 (1.60)
92	2583-14-1	8000	.219 (5.56)	.375 (9.53)	.234 (5.94)	.093 (2.36)	.050 (1.27)	.098 (2.49)	.050 (1.27)	.062 (1.57)	.062 (1.57)	.250 (6.35)	.594 (15.09)	.232 (5.89)	.089 (2.26)	.052 (1.32)
92	2587-14-1	8000	.219 (5.56)	.375 (9.53)	.234 (5.94)	.093 (2.36)	.050 (1.27)	.141 (3.58)	.050 (1.27)	.116 (2.95)	.062 (1.57)	.250 (6.35)	.594 (15.09)	.232 (5.89)	.089 (2.26)	.052 (1.32)
92	5667-52-6	8000	.219 (5.56)	.375 (9.53)	.234 (5.94)	.093 (2.36)	.047 (1.19)	.098 (2.49)	.047 (1.19)	.064 (1.63)	.062 (1.57)	.250 (6.35)	.594 (15.09)	.232 (5.89)	.093 (2.36)	.063 (1.60)
92	5671-52-6	8000	.219 (5.56)	.375 (9.53)	.234 (5.94)	.093 (2.36)	.047 (1.19)	.141 (3.58)	.047 (1.19)	.116 (2.95)	.062 (1.57)	.250 (6.35)	.594 (15.09)	.232 (5.89)	.093 (2.36)	.062 (1.57)
92	2416-14-1	8000	.250 (6.35)	.375 (9.53)	.093 (2.36)	.125 (3.18)	.065 (1.65)	.098 (2.49)	.065 (1.65)	.062 (1.57)	.062 (1.57)	.250 (6.35)	.625 (15.88)	.232 (5.89)	.102 (2.59)	.078 (1.98)
92	2415-14-1	8000	.344 (8.74)	.375 (9.53)	.075 (1.91)	.140 (3.56)	.062 (1.57)	.098 (2.49)	.078 (1.98)	.062 (1.57)	.062 (1.57)	.250 (6.35)	.719 (18.26)	.232 (5.89)	.158 (4.01)	.097 (2.46)
92	2085-14-1	8000	.344 (8.74)	.375 (9.53)	.093 (2.36)	.140 (3.56)	.062 (1.57)	.098 (2.49)	.078 (1.98)	.062 (1.57)	.062 (1.57)	.250 (6.35)	.719 (18.26)	.232 (5.89)	.158 (4.01)	.097 (2.46)
92	2554-14-1	8000	.344 (8.74)	.375 (9.53)	.093 (2.36)	.140 (3.56)	.062 (1.57)	.141 (3.58)	.078 (1.98)	.116 (2.95)	.062 (1.57)	.250 (6.35)	.719 (18.26)	.232 (5.89)	.158 (4.01)	.097 (2.46)
92	4693-14-1	8000	.344 (8.74)	.375 (9.53)	.093 (2.36)	.140 (3.56)	.062 (1.57)	.098 (2.49)	.078 (1.98)	.074 (1.88)	.062 (1.57)	.250 (6.35)	.719 (18.26)	.232 (5.89)	.158 (4.01)	.097 (2.46)

inch
(mm)



EMC® Product "DTS" Series



Type 92

Plating:

- 14: 400µ" Tin terminal, 200µ" Cadmium Chromate base/eyelet
- 4: 30µ" Gold terminal, 200µ" Cadmium Chromate base/eyelet
- 17: 400µ" Tin terminal, 200µ" Nickel base/eyelet
- 52: 400µ" Tin terminal, 200µ" Cadmium Chromate base/eyelet

Material:

Terminal: Brass, 1/2-hard, QQ-B-626
 Base/Eyelet: Brass, 1/2-hard, QQ-B-626
 Insulator: Diallyl Phthalate, MIL-M-14F Type SDG

Type	EMC Part #	Flash-over Volt.	A	B	C	D	E	F	G	H	J	K	L	M	P	R
92	2417-14-1	8000	.344 (8.74)	.375 (9.53)	.105 (2.67)	.140 (3.56)	.062 (1.57)	.098 (2.49)	.078 (1.98)	.062 (1.57)	.062 (1.57)	.250 (6.35)	.719 (18.26)	.232 (5.89)	.158 (4.01)	.097 (2.46)
92	2091-14-1	8000	.344 (8.74)	.375 (9.53)	.125 (3.18)	.140 (3.56)	.062 (1.57)	.098 (2.49)	.078 (1.98)	.062 (1.57)	.062 (1.57)	.250 (6.35)	.719 (18.26)	.232 (5.89)	.158 (4.01)	.097 (2.46)
92	2555-14-1	8000	.344 (8.74)	.375 (9.53)	.125 (3.18)	.140 (3.56)	.062 (1.57)	.141 (3.58)	.078 (1.98)	.116 (2.95)	.062 (1.57)	.250 (6.35)	.719 (18.26)	.232 (5.89)	.158 (4.01)	.097 (2.46)
92	2418-14-1	8000	.344 (8.74)	.375 (9.53)	.135 (3.43)	.140 (3.56)	.062 (1.57)	.098 (2.49)	.078 (1.98)	.062 (1.57)	.062 (1.57)	.250 (6.35)	.719 (18.26)	.232 (5.89)	.158 (4.01)	.097 (2.46)
92	2552-14-1	8000	.344 (8.74)	.375 (9.53)	.156 (3.96)	.140 (3.56)	.062 (1.57)	.098 (2.49)	.078 (1.98)	.062 (1.57)	.062 (1.57)	.250 (6.35)	.719 (18.26)	.232 (5.89)	.158 (4.01)	.097 (2.46)
92	2556-14-1	8000	.344 (8.74)	.375 (9.53)	.156 (3.96)	.140 (3.56)	.062 (1.57)	.141 (3.58)	.078 (1.98)	.116 (2.95)	.062 (1.57)	.250 (6.35)	.719 (18.26)	.232 (5.89)	.158 (4.01)	.097 (2.46)
92	4025-14-1	8000	.344 (8.74)	.375 (9.53)	.156 (3.96)	.140 (3.56)	.062 (1.57)	.098 (2.49)	.078 (1.98)	.074 (1.88)	.062 (1.57)	.250 (6.35)	.719 (18.26)	.232 (5.89)	.158 (4.01)	.097 (2.46)
92	5654-52-6	8000	.344 (8.74)	.375 (9.53)	.156 (3.96)	.140 (3.56)	.062 (1.57)	.141 (3.58)	.078 (1.98)	.116 (2.95)	.062 (1.57)	.250 (6.35)	.719 (18.26)	.232 (5.89)	.139 (3.53)	.093 (2.36)
92	2557-14-1	8000	.344 (8.74)	.375 (9.53)	.234 (5.94)	.140 (3.56)	.062 (1.57)	.141 (3.58)	.078 (1.98)	.116 (2.95)	.062 (1.57)	.250 (6.35)	.719 (18.26)	.232 (5.89)	.158 (4.01)	.097 (2.46)
92	5651-52-6	8000	.344 (8.74)	.375 (9.53)	.234 (5.94)	.140 (3.56)	.062 (1.57)	.098 (2.49)	.078 (1.98)	.064 (1.63)	.062 (1.57)	.250 (6.35)	.719 (18.26)	.232 (5.89)	.139 (3.53)	.093 (2.36)
92	5655-52-6	8000	.344 (8.74)	.375 (9.53)	.234 (5.94)	.140 (3.56)	.062 (1.57)	.141 (3.58)	.078 (1.98)	.116 (2.95)	.062 (1.57)	.250 (6.35)	.719 (18.26)	.232 (5.89)	.139 (3.53)	.093 (2.36)
92	4696-14-1	8000	.344 (8.74)	.375 (9.53)	.125 (3.18)	.140 (3.56)	.062 (1.57)	.125 (3.18)	.078 (1.98)	.116 (2.95)	.062 (1.57)	.250 (6.35)	.719 (18.26)	.232 (5.89)	.158 (4.01)	.097 (2.46)
92	5653-14-1	8000	.344 (8.74)	.375 (9.53)	.125 (3.18)	.140 (3.56)	.062 (1.57)	.141 (3.58)	.078 (1.98)	.116 (2.95)	.062 (1.57)	.250 (6.35)	.719 (18.26)	.232 (5.89)	.139 (3.53)	.093 (2.36)
92	5665-14-1	8000	.219 (5.56)	.375 (9.53)	.125 (3.18)	.093 (2.36)	.047 (1.19)	.098 (2.49)	.047 (1.19)	.064 (1.63)	.062 (1.57)	.250 (6.35)	.594 (15.09)	.232 (5.89)	.093 (2.36)	.063 (1.60)
92	4552-14-1	7000	.234 (5.94)	.266 (6.76)	.105 (2.67)	.093 (2.36)	.050 (1.27)	.113 (2.87)	.050 (1.27)	.083 (2.11)	.062 (1.57)	.250 (6.35)	.500 (12.70)	.218 (5.54)	.094 (2.39)	.062 (1.57)
92	4551-14-1	7000	.234 (5.94)	.266 (6.76)	.075 (1.91)	.093 (2.36)	.050 (1.27)	.113 (2.87)	.050 (1.27)	.083 (2.11)	.062 (1.57)	.250 (6.35)	.500 (12.70)	.218 (5.54)	.094 (2.39)	.062 (1.57)
92	2185-14-1	6000	.156 (3.96)	.234 (5.94)	.125 (3.18)	.072 (1.83)	.050 (1.27)	.078 (1.98)	.050 (1.27)	.067 (1.70)	.046 (1.17)	.156 (3.96)	.390 (9.91)	.146 (3.71)	.055 (1.40)	.046 (1.17)
92	2197-14-1	6000	.156 (3.96)	.234 (5.94)	.156 (3.96)	.072 (1.83)	.050 (1.27)	.078 (1.98)	.050 (1.27)	.067 (1.70)	.046 (1.17)	.156 (3.96)	.390 (9.91)	.146 (3.71)	.055 (1.40)	.046 (1.17)
92	2729-14-1	6000	.156 (3.96)	.234 (5.94)	.093 (2.36)	.072 (1.83)	.050 (1.27)	.078 (1.98)	.050 (1.27)	.067 (1.70)	.046 (1.17)	.156 (3.96)	.391 (9.93)	.146 (3.71)	.055 (1.40)	.046 (1.17)

inch
(mm)