

## Interactive Catalog Replaces Catalog Pages

Honeywell Sensing and Control has replaced the PDF product catalog with the new **Interactive Catalog**. The **Interactive Catalog** is a power search tool that makes it easier to find product information. It includes more installation, application, and technical information than ever before.



Click this icon to try the new  
Interactive Catalog.

---

**Sensing and Control**  
Honeywell Inc.  
11 West Spring Street  
Freeport, Illinois 61032



# Proximity Sensors



XK Series

## Rectangular Plastic/Cylindrical Metal Sensors 3-Wire DC Type

### FEATURES

- Leadwire or connector termination
- Small size, low cost
- Glass filled thermoplastic polyester housing or aluminum bushing
- **Wide operating temperature range**

### ORDER GUIDE

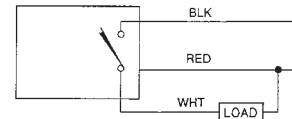
Sensor Package Style	Sensing Range mm (in.)*	Sensor Type	Output Type	Supply Voltage	Sw. Freq.	Catalog Listing
	1,27 (.05)	3-wire DC	NPN, N.O.	5 ± .5VDC	1 kHz	101XK5-1
				6 - 16VDC	1 kHz	101XK11-1 101XK11-10S 101XK11-Q
	3,17 (.125)	3-wire DC	NPN, N.O.	6 - 16VDC	1 kHz	111XK21-Q
	2,54 (0.10)	3-wire DC	NPN, N.C.	5 ± .25VDC	1 kHz	121XK21-2

\* Standard target, SAE 1018 steel, 25,4 x 25,4 x 1,57mm (1 x 1 x .062 in.).

### SPECIFICATIONS

Sensor Type	3-wire DC
Voltage Drop, max.	0.4 V @ 10 mA, 1.0 V @ 20 mA
Load Current, min - max.	0 - 20 mA
Leakage Current, max.	10 µA
Current Consumption, max.	18 mA
Repeatability	± 1%
Rectangular Housing	Glass filled thermoplastic polyester
Bushing	Aluminum

### WIRING DIAGRAMS NPN (Sinking) N.O.



Proximity

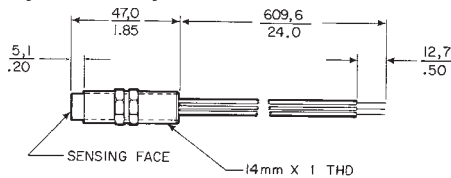
### CHARACTERISTICS

Termination	Temperature Range	Operate Point	Release Point	Catalog Listing
22 gage wires, irradiated PVC insulation, 305 mm (12 in.)	-40 to 125°C (-40 to 257°F)	1,27 mm (.05 in.)	2,54 mm (1.00 in.)	101XK5-1 101XK11-1
22 gage cable, 3 conductors, 3 m (10 ft.)	-40 to 125°C (-40 to 257°F)	1,27 mm (.05 in.)	2,54 mm (1.00 in.)	101XK11-10S
22 gage cable, 3 conductors, 610 mm (24 in.)	-25 to 65°C (-10 to 149°F)	2,54 mm (.10 in.)	6,35 mm (.250 in.)	121XK21-2
Solder/quick-connect terminals	-40 to 125°C (-40 to 257°F)	1,27 mm (.05 in.)	2,54 mm (1.00 in.)	101XK11-Q
Solder/quick-connect terminals	4 to 43°C (40 to 110°F)	3,17 mm (.125 in.)	6,35 mm (.250 in.)	111XK21-Q

### MOUNTING DIMENSIONS

(For reference only)

#### Cylindrical Style



#### Flat Pack Style

