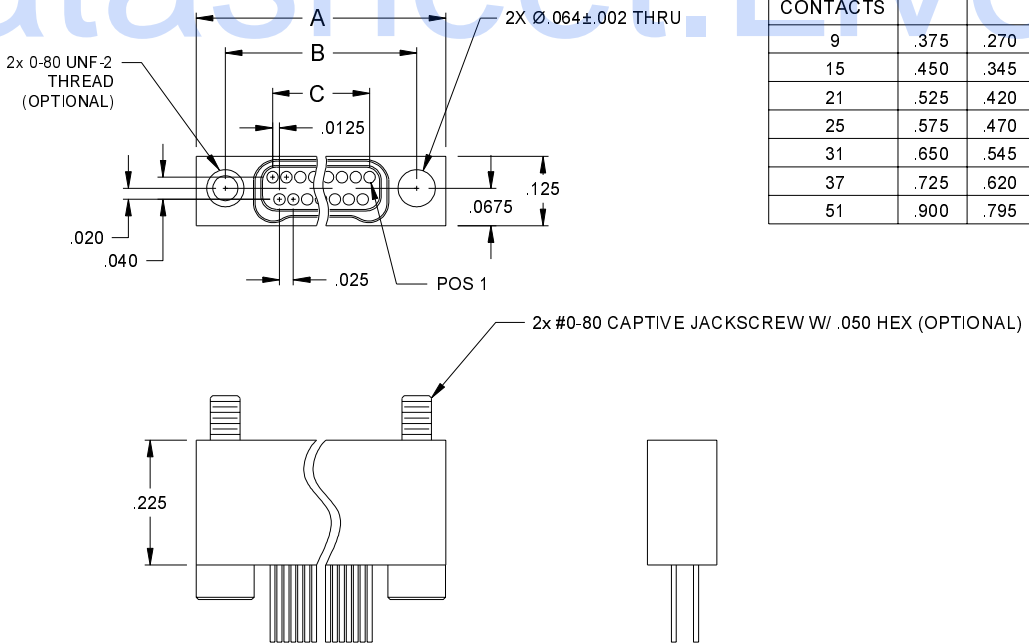


PLUG

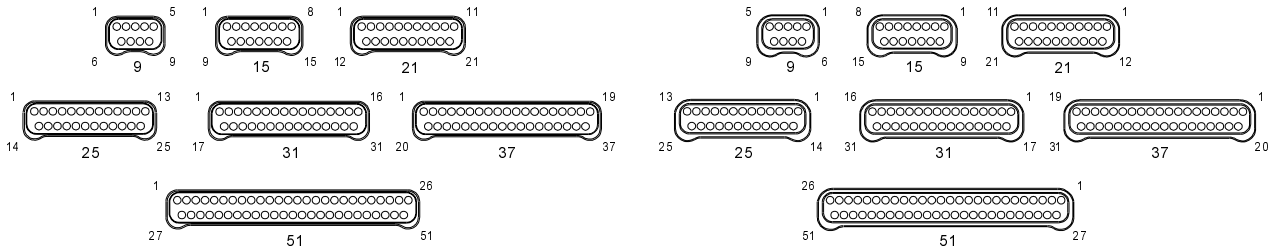


RECEPTACLE

NO. OF CONTACTS	A	B	C	MAX
9	.375	.270	.100	
15	.450	.345	.175	
21	.525	.420	.250	
25	.575	.470	.300	
31	.650	.545	.375	
37	.725	.620	.450	
51	.900	.795	.625	

CRISTEK INTERCONNECTS, INC. www.cristek.com 1301 S. Lewis St. Anaheim, CA 92805 Phone: (714) 618-2000 FAX: (714) 535-4897	FILENAME NANO METAL SHELL DUAL ROW WITH LEADS	DWG. NO. CMN2		
	DWG. NO. ADS-CMN2-1	CODE IDENT NO. 67720	SHT 1 OF 2	REV A
		TOLERANCE: .XXX ±.005 .XX ±.01 ANGLE ±1°		

2.2 NANO CONNECTORS / MOTS



PLUG FACE

RECEPTACLE FACE

CMN 2 - ## # - # # # # ##

NANO METAL SHELL WITH LEADS

BODY STYLE
1 = DUAL ROW

NUMBER OF CONTACTS
09 25 51
15 31
21 37

GENDER
P = PLUG, PIN CONTACTS
S = RECEPTACLE, SOCKET CONTACTS

HARDWARE
0 = NONE (THRU HOLE ONLY)
J = JACKSCREW (NON-REMOVABLE)
T = THREADED INSERT (NON-REMOVABLE)

SHELL FINISH
A = CADMIUM
B = NICKEL
G = GOLD

WIRE LENGTH
STRANDED

01 = 6 INCHES
02 = 12 INCHES
03 = 18 INCHES
04 = 24 INCHES
05 = 36 INCHES
06 = 72 INCHES

SOLID COPPER
30 AWG

01 = 0.5 INCH
02 = 1.0 INCH
03 = 0.25 INCH

WIRE COLOR/SIZE

0 = WHITE 32 AWG STRANDED *
1 = YELLOW 32 AWG STRANDED
2 = 10 SOLID COLORS REPEATED *
32 AWG STRANDED
3 = FULL COLOR CODE 32 AWG STRANDED
9 = SOLID COPPER 30 AWG *

TERMINATION

WIRE TYPE

STRANDED

H = HARNESS (MIL-W-16878/6) *

SOLID

G = GOLD PLATED COPPER

T = TIN PLATED COPPER

* = MOST COMMONLY USED & STOCKED WIRE TYPE AND HARDWARE OPTIONS

1. MATERIALS:

SHELL - ALUMINUM PER QQ-A-200/8, QQ-A-250/11, OR QQ-A-591
INSULATOR - LIQUID CRYSTAL POLYMER OR POLYPHENYLENE
SULFIDE PER MIL-M-24519
CONTACT - BERYLLIUM COPPER

2. FINISH:

SHELL - CADMIUM PER QQ-P-416, TYPE II, CLASS 3 OVER
ELECTROLESS NICKEL PER AMS 2404
OR ELECTROLESS NICKEL PER AMS 2404.
CONTACT - GOLD PER MIL-G-45204, TYPE II, GRADE C,
CLASS I OVER NICKEL PER QQ-N-290.

3. SPECIFICATIONS:

CURRENT RATING 1 AMP MAX
TEMPERATURE RATING -55° C TO +125° C
INSULATION RESISTANCE 5000 MEGOHMS
DWV AT SEA LEVEL 250 VAC
DWV AT 70,000 FT ALTITUDE --- 100 VAC
CONTACT RESISTANCE 30 mV DROP @ 1 a, 10 mA
(BASED ON SOLID WIRE)
CONTACT RETENTION 2 LBS AXIAL LOAD
ENGAGEMENT FORCE 5 oz MAX
SEPARATION FORCE 0.4 oz MIN

4. ADDITIONAL INFORMATION:

FOR OTHER TERMINATIONS, CONTACT CRISTEK.

CRISTEK INTERCONNECTS, INC. www.cristek.com 1301 S. Lewis St. Anaheim, CA 92805 Phone: (714) 618-2000 FAX: (714) 535-4897	FILENAME NANO METAL SHELL DUAL ROW WITH LEADS	DWG. NO. CMN2		
	DWG. NO. ADS-CMN2-2	CODE IDENT NO. 67720	SHT 2 OF 2	REV A
		TOLERANCE: .XXX ±.005 .XX ±.01 ANGLE ±1°		