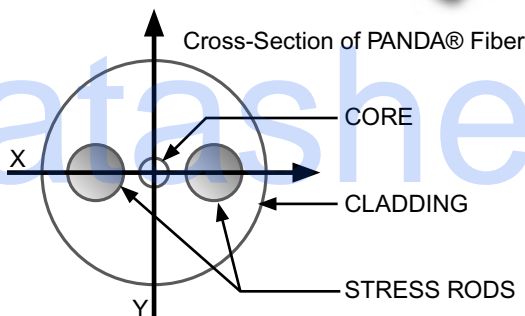


SC & FC PANDA® Jumpers



AFL delivers SC and FC style jumpers with the optical polarization control of PANDA® fiber.

Advances in telecommunications technology have led to a demand for polarization control in optical signal processing. Increases in transmission speed to OC-192 and beyond require external modulators that commonly utilize anisotropic materials, such as lithium niobate. These materials are sensitive to the polarization state of incoming optical signals as effective modulation is only achieved by modulation on one birefringent axis. Fujikura PANDA® fiber is recognized worldwide as the industry standard for polarization maintaining applications.

AFL has the capability to custom design a variety of packages to meet your telecommunications needs.

KEY FEATURES

- High Extinction Ratio
- Low Insertion Loss
- Custom Polarization Orientation

PRODUCT APPLICATION

- Polarization based modulators
- High bit rate telecommunications
- Interferometry
- Optical amplifiers

RELATED PRODUCTS

- Polarization Beam Combiners (PBC)
- PANDA® EDF Module
- FSM-20PMII Fusion Splicer
- PANDA® Coupler (coming soon!)

AVAILABILITY

Please contact your SSR for lead time.

Click Here

for complete technical specifications and part number information.

For pricing, availability, and additional information about this and other Passive Optical Components from Alcoa Fujikura Ltd., please call:

1-800-AFLFIBER

Alcoa Fujikura Ltd. Telecommunications Division

P.O. Box 3127 • Spartanburg, SC 29304
(864) 433-0333 • Fax: (864) 486-7269

Innovations to light your way.



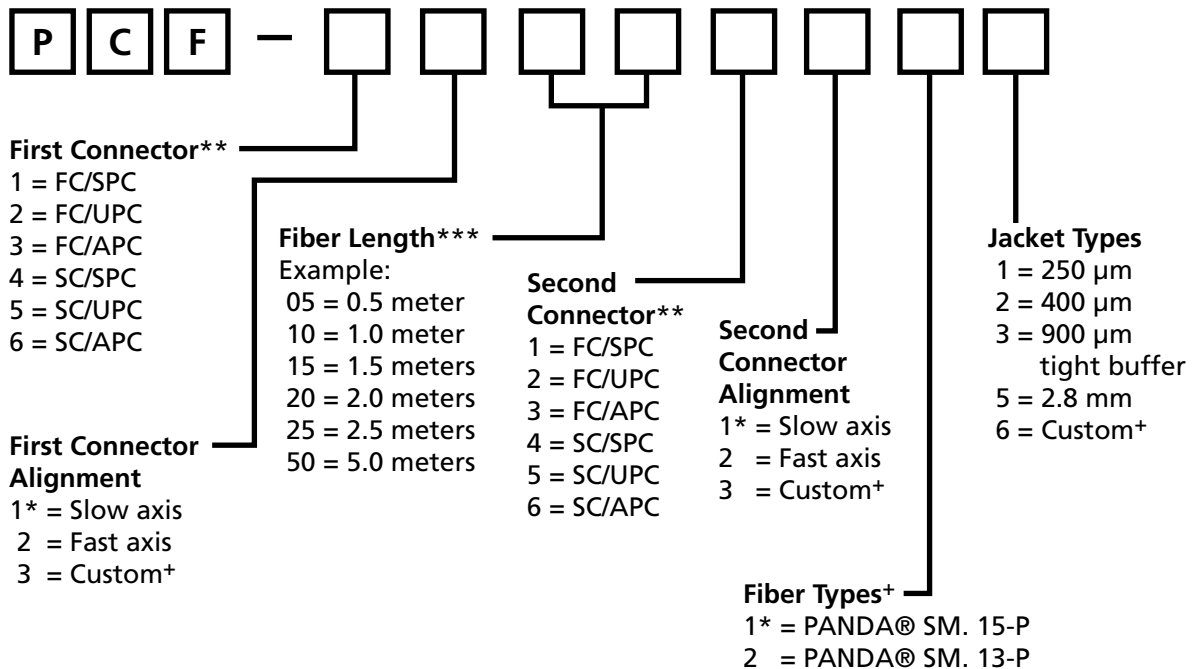
SC and FC PANDA® JUMPERS - TECHNICAL SPECIFICATIONS

PARAMETER		UNIT	SPECIFICATION
Connector Type			SC/FC
Insertion Loss (per connector)	Typ.	dB	0.25
	Max.	dB	0.5
Polarization Axis Alignment Accuracy		Max.	°
Return Loss (per connector)	APC	Min.	dB
	UPC	Min.	dB
	SPC	Min.	dB
Polarization Crosstalk		Typ.	dB
		Min.	dB
Fiber Type		-	Fujikura PANDA®
Fiber Length (including connectors) ¹		m	0 to 5.0
Operating Temperature	Using UV/UV-250 or UV/UV-400	°C	-20 to +70
	Using 900 m Tight Buffer	°C	+5 to +45
Storage Temperature		°C	-40 to +70
FC Key Width (External)	APC	mm	Narrow Key 1.97-2.02
	UPC	mm	
	SPC	mm	

1. Please specify the length upon ordering

NOTE: Unless otherwise stated, the specifications listed were measured at ambient temperature (25 ±5°C)

DESCRIPTION / PART NUMBER INFORMATION



* Standard

** Required

*** Max. Length is 5 meters

+ Please call AFL for detailed information on customized specifications and other fiber types

