

NXP Pressure Sensors



Products may be RoHS compliant. Check mouser.com for RoHS status.

COMPENSATED PRESSURE SENSORS

- Broad portfolio of packaging and porting options for design flexibility
- Fully signal conditioned, compensated and calibrated
- Cost-effective
- Interface seamlessly with NXP processors
- Wide operating temperature range of -40°C to 125°C
- Ratiometric to supply voltage

For quantities greater than listed, call for quote.

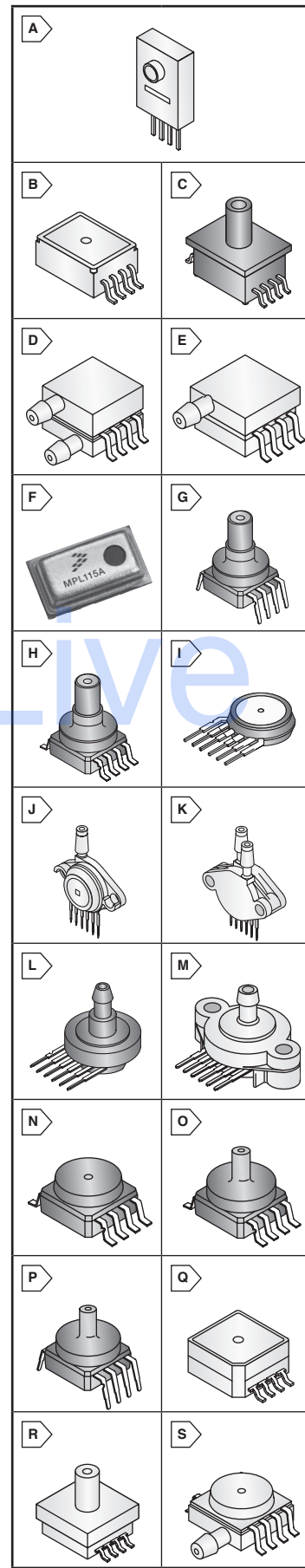
MOUSER STOCK NO.	NXP Part No.	Fig.	Package	Pressure Rating		Pressure Measurement Type	Price Each		
				Max. (psi)	Max. H ₂ O (in)		1	25	100
841-MPX2300DT1	MPX2300DT1	A	CHIP PAK	5.8	161	Gauge	5.38	4.52	4.33
841-MPX2010D	MPXM2010D	B	Sensor M-Pak 05	1.45	40	Differential	6.83	6.07	4.55
841-MPX2010GS	MPXM2010GS	C	Sensor M-Pak 05 Ported	1.45	40	Gauge	7.53	6.69	5.02
841-MPX2051GS	MPXM2051GS	C	Sensor M-Pak 05 Ported	7	201	Gauge	18.71	16.63	12.47
841-MPX2053D	MPXM2053D	B	Sensor M-Pak 05	7	201	Differential	7.83	6.96	5.22
841-MPX2053GS	MPXM2053GS	C	Sensor M-Pak 05 Ported	7	201	Gauge	6.90	6.13	4.60
841-MPX2102A	MPXM2102A	B	Sensor M-Pak 05	14.5	400	Absolute	6.83	6.07	4.55
841-MPX2102AS	MPXM2102AS	C	Sensor M-Pak 05 Ported	14.5	400	Absolute	7.83	6.96	5.22
841-MPX2102GS	MPXM2102GS	C	Sensor M-Pak 05 Ported	14.5	400	Gauge	7.83	6.96	5.22
841-MPX2202A	MPXM2202A	B	Sensor M-Pak 05	29	800	Absolute	7.83	6.96	5.22
841-MPX2202AS	MPXM2202AS	C	Sensor M-Pak 05 Ported	29	800	Absolute	7.83	6.96	5.22
841-MPX2202GS	MPXM2202GS	C	Sensor M-Pak 05 Ported	29	800	Gauge	7.53	6.69	5.02
841-MPX2202GST1	MPXM2202GST1	C	Sensor M-Pak 05 Ported	29	800	Gauge	5.52	5.08	5.02
841-MPXV2010DP	MPXV2010DP	D	Sensor 8 Pin Dual Port	1.45	40	Differential	10.01	8.90	6.68
841-MPXV2010GP	MPXV2010GP	E	Sensor 8 Pin GP	1.45	40	Gauge	10.89	9.68	7.26
841-MPXV2053DP	MPXV2053DP	D	Sensor 8 Pin Dual Port	7	201	Differential	10.89	9.68	7.26
841-MPXV2102GP	MPXV2102GP	E	Sensor 8 Pin GP	14.5	400	Gauge	10.89	9.68	7.26
841-MPXV2202DP	MPXV2202DP	D	Sensor 8 Pin Dual Port	29	800	Differential	10.89	9.68	7.26
841-MPXV2202GP	MPXV2202GP	E	Sensor 8 Pin GP	29	800	Gauge	10.89	9.68	7.26

INTEGRATED PRESSURE SENSORS

- Broad portfolio of packaging and porting options for design flexibility
- Fully signal conditioned, compensated and calibrated
- Cost-effective
- Interface seamlessly with NXP processors
- Wide operating temperature range of -40°C to 125°C
- Ratiometric to supply voltage

For quantities greater than listed, call for quote.

MOUSER STOCK NO.	NXP Part No.	Fig.	Package	Pressure Rating		Pressure Measurement Type	Price Each		
				Max. (psi)	Max. H ₂ O (in)		1	25	100
841-MPL115A1T1	MPL115A1T1	F	LGA	16.68	-	Absolute	4.82	4.05	3.88
841-MPV24006GW7U	MPV24006GW7U	G	SOP 8 with M-Port	0.87	24	Gauge	10.75	9.56	7.17
841-MPV25004GW6U	MPV25004GW6U	H	SOP 8 SIFEL with M-PORT	0.57	16	Gauge	14.55	12.93	9.70
841-MPV25004GW7U	MPV25004GW7U	G	SOP 8 with M-Port	0.57	16	Gauge	9.63	8.56	6.42
841-MPV25010GW6U	MPV25010GW6U	H	SOP 8 SIFEL with M-PORT	1.45	40	Gauge	14.55	12.93	9.70
841-MPV25010GW7U	MPV25010GW7U	G	SOP 8 with M-Port	1.45	40	Gauge	14.55	12.93	9.70
841-MPX4115A	MPX4115A	I	6 Pin Unibody	16.7	-	Absolute	16.10	14.31	10.73
841-MPX4115AP	MPX4115AP	J	6 Pin Unibody Gauge Port	16.7	462	Absolute	16.10	14.31	10.73
841-MPX4250A	MPX4250A	I	6 Pin Unibody	36	1000	Absolute	15.41	13.70	10.28
841-MPX4250AP	MPX4250AP	J	6 Pin Unibody Gauge Port	36	1000	Absolute	15.41	13.70	10.28
841-MPX4250D	MPX4250D	I	6 Pin Unibody	36	1000	Differential	18.44	16.39	12.29
841-MPX4250DP	MPX4250DP	K	6 Pin Unibody Dual Port	36	1000	Differential	18.44	16.39	12.29
841-MPX5010DP	MPX5010DP	K	6 Pin Unibody Dual Port	1.45	40	Differential	12.84	11.41	8.56
841-MPX5010GP	MPX5010GP	J	6 Pin Unibody Gauge Port	1.45	40	Gauge	16.10	14.31	10.73
841-MPX5010GS	MPX5010GS	L	6 Pin Unibody Stoppipe Port	1.45	40	Gauge	16.10	14.31	10.73
841-MPX5050D	MPX5050D	I	6 Pin Unibody	7.25	201	Differential	16.10	14.31	10.73
841-MPX5050DP	MPX5050DP	K	6 Pin Unibody Dual Port	7.25	201	Differential	16.10	14.31	10.73
841-MPX5050GP	MPX5050GP	J	6 Pin Unibody Gauge Port	7.25	201	Gauge	16.10	14.31	10.73
841-MPX5050GP1	MPX5050GP1	J	6 Pin Unibody Gauge Port	7.25	201	Gauge	16.10	14.31	10.73
841-MPX5100AP	MPX5100AP	J	6 Pin Unibody Gauge Port	16.7	462	Absolute	16.10	14.31	10.73
841-MPX5100DP	MPX5100DP	K	6 Pin Unibody Dual Port	14.5	401	Differential	16.10	14.31	10.73
841-MPX5100GP	MPX5100GP	J	6 Pin Unibody Gauge Port	14.5	401	Differential	16.10	14.31	10.73
841-MPX5500DP	MPX5500DP	K	6 Pin Unibody Dual Port	72.5	2000	Differential	10.10	8.98	6.74
841-MPX5700AP	MPX5700AP	J	6 Pin Unibody Gauge Port	10.2	2810	Absolute	16.10	14.31	10.73
841-MPX5700ASX	MPX5700ASX	M	6 Pin Unibody Axial Port	10.2	2810	Absolute	16.10	14.31	10.73
841-MPX5700D	MPX5700D	I	6 Pin Unibody	10.2	2810	Differential	16.10	14.31	10.73
841-MPX5700DP	MPX5700DP	K	6 Pin Unibody Dual Port	10.2	2810	Differential	13.99	12.44	9.33
841-MPX5700GP	MPX5700GP	J	6 Pin Unibody Gauge Port	10.2	2810	Gauge	16.10	14.31	10.73
841-MPX5700GP1	MPX5700GP1	J	6 Pin Unibody Gauge Port	10.2	2810	Gauge	16.10	14.31	10.73
841-MPX5999D	MPX5999D	I	6 Pin Unibody	15.0	4150	Differential	12.84	11.41	8.56
841-MPXA6115A6U	MPXA6115A6U	N	Small Outline SMT	16.7	462	Absolute	12.15	10.80	8.10
841-MPXA6115AC6U	MPXA6115AC6U	O	Small Outline with Axial Port	16.7	462	Absolute	12.57	11.17	8.38
841-MPXA6115AC7U	MPXA6115AC7U	P	Small Outline DIP w/ Axial Port	16.7	462	Absolute	14.48	12.87	9.65
841-MPXA26115AP	MPXA26115AP	E	Sensor 8 Pin GP	16.7	462	Absolute	14.48	12.87	9.65
841-MPXH6101A6U	MPXH6101A6U	Q	Sensor SSOP 08 without Port	14.8	410	Absolute	9.67	8.60	6.45
841-MPXH6115A6U	MPXH6115A6U	Q	Sensor SSOP 08 without Port	16.7	462	Absolute	9.67	8.60	6.45
841-MPXH6115AC6U	MPXH6115AC6U	R	Sensor SSOP 08 Ported	16.7	462	Absolute	10.25	9.11	6.83
841-MPXH6250A6U	MPXH6250A6U	Q	Sensor SSOP 08 w/o Port	36	1000	Absolute	9.87	8.77	6.58
841-MPXH6250AC6U	MPXH6250AC6U	R	Sensor SSOP 08 Ported	36	1000	Absolute	9.99	8.88	6.66
841-MPXH6300A6U	MPXH6300A6U	Q	Sensor SSOP 08 without Port	44	1200	Absolute	9.87	8.77	6.58
841-MPXH6300AC6U	MPXH6300AC6U	R	Sensor SSOP 08 Ported	44	1200	Absolute	9.99	8.88	6.66
841-MPXH6400AC6T1	MPXH6400AC6T1	R	Sensor SSOP 08 Ported	58	1605	Absolute	7.34	6.76	6.66
841-MPXH6400AC6U	MPXH6400AC6U	R	Sensor SSOP 08 Ported	58	1605	Absolute	9.99	8.88	6.66
841-MPXHZ6115A6U	MPXHZ6115A6U	Q	Sensor SSOP 08 without Port	16.7	462	Absolute	10.03	8.92	6.69
841-MPXHZ6115AC6U	MPXHZ6115AC6U	R	Sensor SSOP 08 Ported	16.7	462	Absolute	10.44	9.28	6.96
841-MPXV4006DP	MPXV4006DP	D	Sensor 8 Pin Dual Port	0.87	24	Differential	15.36	13.65	10.24
841-MPXV4006GP	MPXV4006GP	E	Sensor 8 Pin GP	0.87	24	Gauge	15.61	13.88	10.41
841-MPXV4006GP	MPXV4006GP	P	Small Outline DIP w/ Axial Port	0.87	24	Gauge	15.36	13.65	10.24
841-MPXV5004GP	MPXV5004GP	E	Sensor 8 Pin GP	0.57	-	Gauge	10.62	9.44	7.08
841-MPXV5004DP	MPXV5004DP	D	Sensor 8 Pin Dual Port	0.57	16	Differential	13.29	11.81	8.86
841-MPXV5004GC6T1	MPXV5004GC6T1	O	Small Outline SMT w/ Axial Port	0.57	16	Gauge	9.89	9.11	8.98
841-MPXV5004GC6U	MPXV5004GC6U	O	Small Outline SMT w/ Axial Port	0.57	16	Gauge	13.47	11.97	8.98
841-MPXV5004GC7U	MPXV5004GC7U	P	Small Outline DIP w/ Axial Port	0.57	16	Gauge	13.47	11.97	8.98
841-MPXV5004GP	MPXV5004GP	E	Sensor 8 Pin GP	0.57	16	Gauge	13.29	11.81	8.86
841-MPXV5004GVP	MPXV5004GVP	S	Sensor 8 Pin GVP	0.57	16	Vacuum	13.29	11.81	8.86
841-MPXV5010DP	MPXV5010DP	D	Sensor 8 Pin Dual Port	1.45	40	Differential	13.95	12.40	9.30
841-MPXV5010GC6T1	MPXV5010GC6T1	O	Small Outline SMT w/ Axial Port	1.45	40	Gauge	10.40	9.58	9.45
841-MPXV5010GC6U	MPXV5010GC6U	O	Small Outline SMT w/ Axial Port	1.45	40	Gauge	14.17	12.60	9.45
841-MPXV5010GC7U	MPXV5010GC7U	P	Small Outline DIP w/ Axial Port	1.45	40	Gauge	12.30	10.93	8.20
841-MPXV5010GP	MPXV5010GP	E	Sensor 8 Pin GP	1.45	40	Gauge	13.95	12.40	9.30
841-MPXV5050DP	MPXV5050DP	D	Sensor 8 Pin Dual Port	7.25	201	Differential	13.95	12.40	9.30
841-MPXV5050GC6U	MPXV5050GC6U	O	Small Outline SMT w/ Axial Port	7.25	201	Gauge	12.33	10.96	8.22
841-MPXV5050GP	MPXV5050GP	E	Sensor 8 Pin GP	7.25	201	Gauge	13.95	12.40	9.30
841-MPXV5050VC6T1	MPXV5050VC6T1	O	Small Outline SMT w/ Axial Port	7.25	201	Absolute	9.22	8.49	8.38
841-MPXV5100DP	MPXV5100DP	D	Sensor 8 Pin Dual Port	14.5	401	Absolute	13.95	12.40	9.30
841-MPXV5100GC6U	MPXV5100GC6U	P	Small Outline SMT w/ Axial Port	14.5	401	Absolute	14.48	12.87	9.65
841-MPXV5100GC7U	MPXV5100GC7U	P	Small Outline DIP w/ Axial Port	14.5	401	Absolute	14.48	12.87	9.65
841-MPXV6115VC6U	MPXV6115VC6U	O	Small Outline SMT w/ Axial Port	16.7	462	Vacuum	14.48	12.87	9.65
841-MPXV7002DP	MPXV7002DP	D	Sensor 8 Pin Dual Port	0.3	8	Differential	13.29	11.81	8.86
841-MPXV7002DPT1	MPXV7002DPT1	D	Sensor 8 Pin Dual Port	0.3	8	Differential	9.74	8.97	8.86
841-MPXV7002GP	MPXV7002GP	E	Sensor 8 Pin GP	0.3	8	Differential	13.29	11.81	8.86
841-MPXV7007DP	MPXV7007DP	D	Sensor 8 Pin Dual Port	1	28	Differential	13.95	12.40	9.30
841-MPXV7007GC6U	MPXV7007GC6U	O	Small Outline SMT w/ Axial Port	1	28	Gauge	14.17	12.60	9.45
841-MPXV7007GP	MPXV7007GP	E	Sensor 8 Pin GP	1	28	Gauge	13.95	12.40	9.30
841-MPXV7025DP	MPXV7025DP	D	Sensor 8 Pin Dual Port	3.6	100	Differential	13.95	12.40	9.30
841-MPXV7025GC6U	MPXV7025GC6U	O	Small Outline SMT w/ Axial Port	3.6	100	Gauge	14.17	12.60	9.45



NXP Pressure Sensors