

Distinctive Characteristics

CWSA

Low cost molded rocker.

See-saw contact mechanism

Stable stationary contact construction for high reliability.

Easily installed with snap-in mounting.

Large terminal hole dimensioned .067" x .098"
(1.7mm x 2.5mm) simplifies wiring and soldering.

Wave Soldering (PC version): See Profile A in Supplement section.
Manual Soldering: See Profile A in Supplement section.



CWSB

Low cost molded rocker.

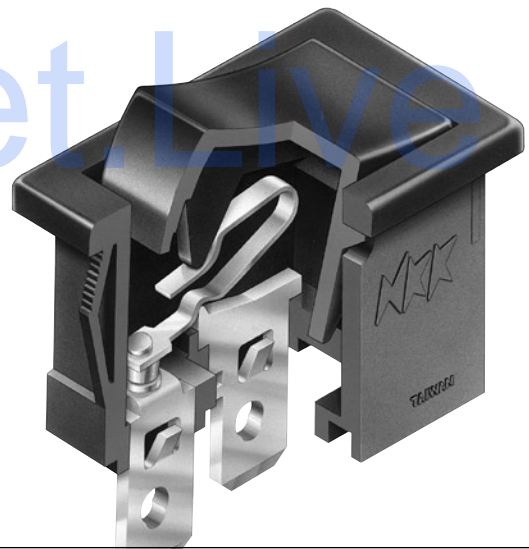
Snap-acting contact mechanism gives smooth actuation and audible feedback.

Stable stationary contact construction for high reliability.

Front panel, snap-in mounting for labor-saving installation.

Solder lug/quick connect terminals can be used with connectors.

Manual Soldering: See Profile B in Supplement section.



CWT

Low cost molded rocker in compact, slim design.

See-saw contact mechanism

Outstanding insulation resistance and dielectric strength.

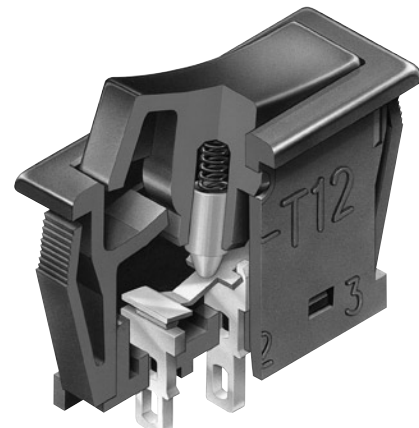
Dust proof construction protects contact area.

Stable stationary contact construction for high reliability.

Front panel, snap-in mounting for labor-saving installation.

Terminals are molded in and epoxy sealed to lock out flux, dust, and other contaminants.

Manual Soldering: See Profile A in Supplement section.



General Specifications

CWSA Electrical Capacity

Power Level: For Resistive Load 6A @ 250V AC

Other Ratings

Contact Resistance: 20 milliohms maximum

Insulation Resistance: 500 megohms minimum @ 500V DC

Dielectric Strength: 1,500V AC minimum between contacts for 1 minute minimum
3,000V AC minimum between contacts & case for 1 minute minimum

Mechanical Life: 30,000 operations minimum

Electrical Life: 10,000 operations minimum with Resistive Load & 6,000 operations with Inductive Load

Nominal Operating Force: 2.50N

Angle of Throw: 30°

Operating Temperature Range: -10°C ~ +70°C (+14°F ~ +158°F)

Materials & Finishes

Rocker: Polycarbonate

Housing: Polyamide

Movable Contactor: Brass w/silver alloy plating

Movable Contacts: Silver

Stationary Contacts: Silver alloy

Base: Laminated thermosetting sheets

Contact Terminals: Copper with silver plating

Common Terminals: Brass with silver plating

CWSB Electrical Capacity

Power Level: For Resistive Load 6A @ 250V AC

Other Ratings

Contact Resistance: 20 milliohms maximum

Insulation Resistance: 500 megohms minimum @ 500V DC

Dielectric Strength: 1,500V AC minimum between contacts for 1 minute minimum
3,000V AC minimum between contacts & case for 1 minute minimum

Mechanical Life: 30,000 operations minimum

Electrical Life: 10,000 operations minimum with Resistive Load & 6,000 operations with Inductive Load

Nominal Operating Force: 6.50N for single pole models; 10.0N for double pole models

Angle of Throw: 30°

Operating Temperature Range: -10°C ~ +70°C (+14°F ~ +158°F)

Materials & Finishes

Rocker: Polycarbonate

Housing: Polyamide

Movable Contactor: Beryllium copper w/silver alloy plating

Movable Contacts: Silver

Stationary Contacts: Silver alloy

Base: Laminated thermosetting sheets

Terminals: Brass with silver plating

CWT Electrical Capacity

Power Level: For Resistive Load 6A @ 125V AC; 3A @ 250V AC; 4A @ 30V DC

Other Ratings

Contact Resistance: 20 milliohms maximum

Insulation Resistance: 1,000 megohms minimum @ 500V DC

Dielectric Strength: 1,000V AC minimum between contacts for 1 minute minimum
1,500V AC minimum between contacts & case for 1 minute minimum

Mechanical Life: 50,000 operations minimum

Electrical Life: 25,000 operations minimum

Nominal Operating Force: 2.0N

Angle of Throw: 30°

Operating Temperature Range: -25°C ~ +70°C (-13°F ~ +158°F)

Materials & Finishes

Rocker: Glass fiber reinforced polyamide

Housing: Polyamide

Movable Contactor: Phosphor bronze w/silver plating

Movable Contacts: Silver alloy

Base: LCP (Liquid Crystal Polymer)

Contact Terminals: Brass + silver with silver plating

Common Terminals: Brass with silver plating

STANDARDS & CERTIFICATIONS

CWSA

Specific CWSA models listed below are qualified for Underwriters Laboratories Inc. recognition and Canadian Standards Association certification. C-UL marking on case is standard as noted in following table.



<u>Model</u>	<u>Ratings @ AC</u>	<u>C-UL File No.</u>	<u>Marking on Case</u>
CWSA11	6A @ 250V	WOYR8.E44145	Standard
CWSA12	6A @ 250V	WOYR8.E44145	Standard

CWSB

Specific CWSB models listed below are qualified for Underwriters Laboratories Inc. recognition and Canadian Standards Association certification. C-UL marking on case is standard as noted in following table.



<u>Model</u>	<u>Ratings @ AC</u>	<u>C-UL File No.</u>	<u>Marking on Case</u>
CWSB11	6A @ 250V	WOYR8.E44145	Standard
CWSB21	6A @ 250V	WOYR8.E44145	Standard

CWT

Specific CWT model listed below is qualified for Underwriters Laboratories Inc. recognition and Canadian Standards Association certification. C-UL marking on case is standard as noted in following table.



<u>Model</u>	<u>Ratings @ AC</u>	<u>C-UL File No.</u>	<u>Marking on Case</u>
CWT12	6A @ 125V 3A @ 250V	WOYR8.E44145	Standard

TYPICAL SWITCH ORDERING EXAMPLES

CWSA 1 1 A A N S

POLE	
1	SPST & SPDT

CIRCUITS			
1	ON	NONE	OFF
2	ON	NONE	ON


CAP COLOR	
A	Black

HOUSING	
A	Black

INSCRIPTION	
For SPST & SPDT	
No Code	None
For SPST	
1	Horizontal
2	Vertical
3	Dot Marking

TERMINALS	
S	Solder Lug
H	Right Angle PC

TYPICAL ORDERING EXAMPLE
CWSA11AANS



CWSB 2 1 A A 2 F

POLES	
1	SPST
2	DPST

CIRCUIT			
1	ON	NONE	OFF


CAP COLOR	
A	Black

HOUSING	
A	Black

INSCRIPTION	
No Code	None (SPST only)
1	Horizontal
2	Vertical
3	Dot Marking (SPST only)

TERMINALS	
F	Quick Connect
H	Right Angle PC

TYPICAL ORDERING EXAMPLE
CWSB21AA2F



CWT 1 2 A A S1

POLE	
1	SPDT


CIRCUIT			
2	ON	NONE	ON

CAP COLOR	
A	Black

HOUSING	
A	Black

TERMINALS	
S1	Solder Lug

TYPICAL ORDERING EXAMPLE
CWT12AAS1



INSCRIPTIONS

No Code

None

Not available in double pole.



1

Horizontal Orientation

Only On-None-Off models are available with the horizontal inscription.



2

Vertical Orientation

Only On-None-Off models are available with the vertical inscription.



3

Dot Marking

Only Single Pole On-None-Off models are available with the dot inscription.

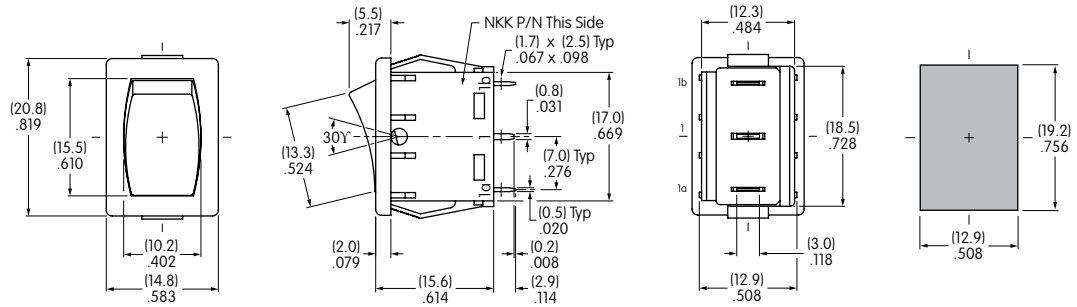


The IEC symbols for On-Off are supplied with Single Throw models only. Orientation of inscription must be selected. Inscription color is white ink on black.

TYPICAL SWITCH DIMENSIONS FOR CWSA

Solder Lug

Single Pole • No Inscription



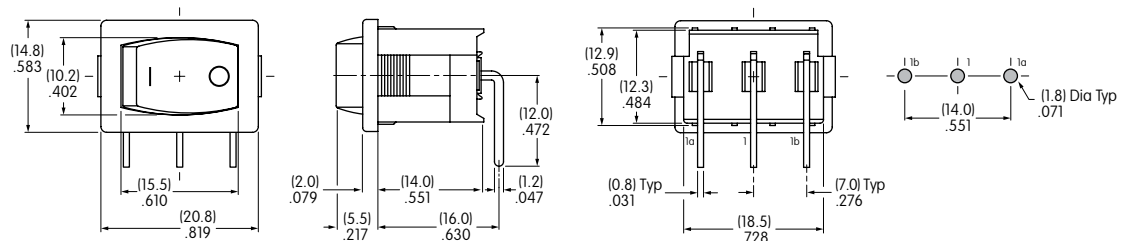
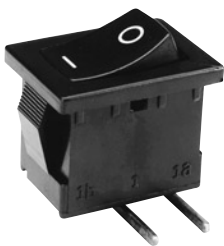
Terminal numbers are on side of switch body

Panel Thickness .030" ~ .079" (0.75mm ~ 2.0mm)

CWSA12AANS

Right Angle

Single Pole • Horizontal On-Off Inscription



Single throw model does not have terminal 1b

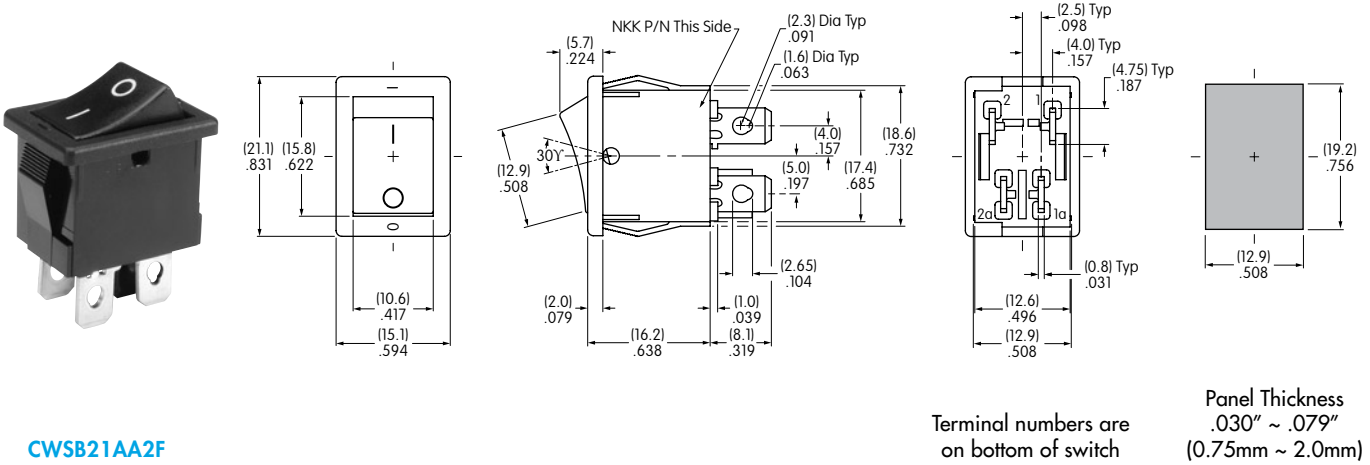
Terminal numbers are on side of switch body

CWSA11AAN1H

TYPICAL SWITCH DIMENSIONS FOR CWSB

Quick Connect

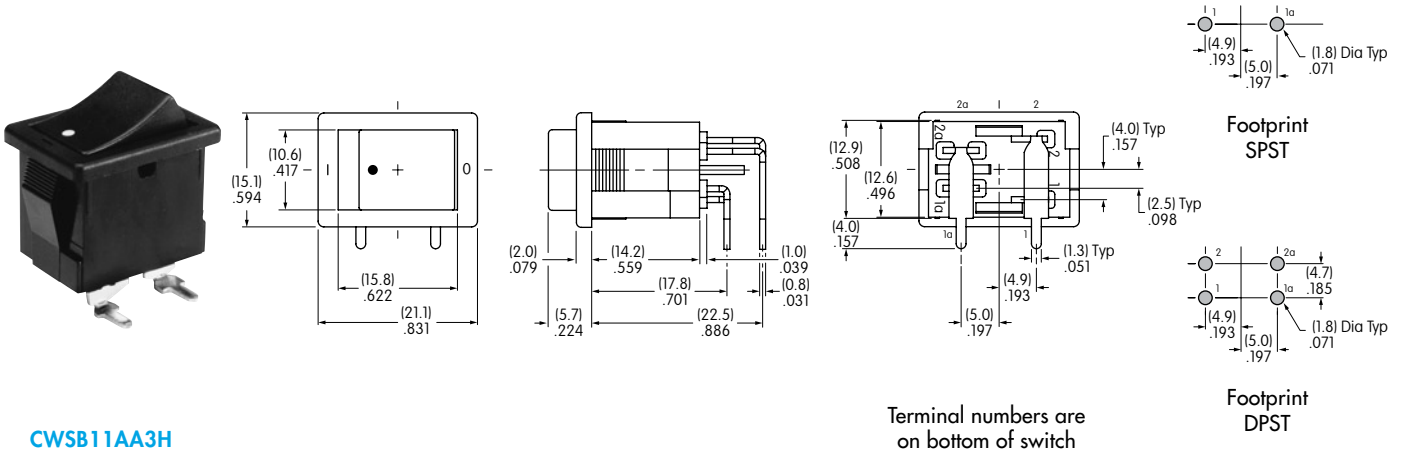
Double Pole • Vertical On-Off Inscription



CWSB21AA2F

Right Angle

Single Pole • Dot Inscription

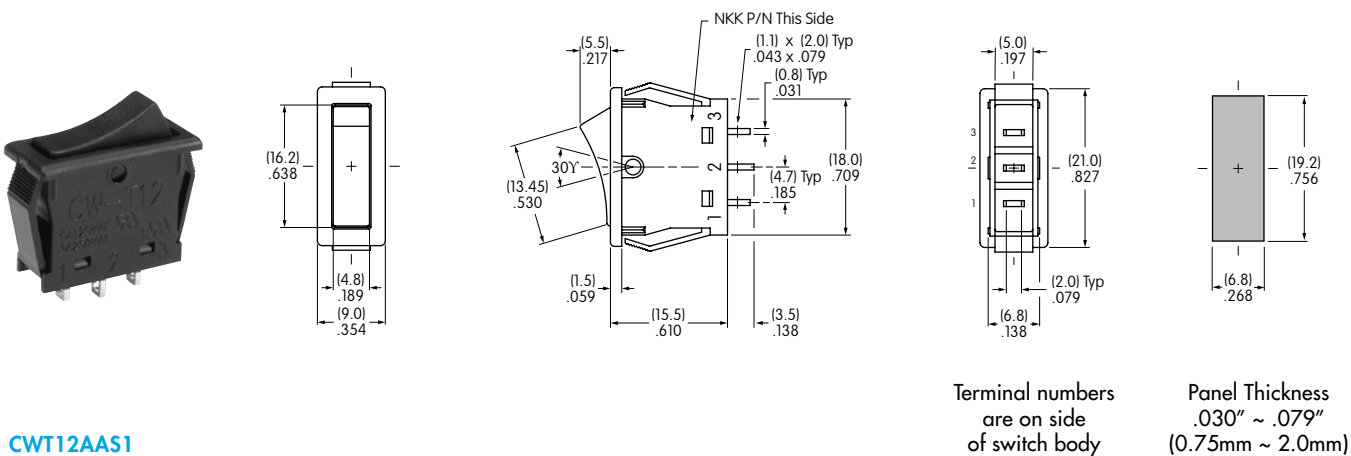


CWSB11AA3H

TYPICAL SWITCH DIMENSIONS FOR CWT

Solder Lug

Single Pole • No Inscription



CWT12AA51