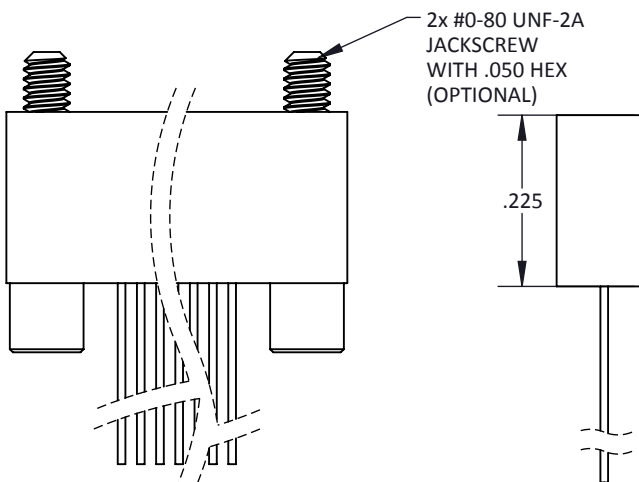
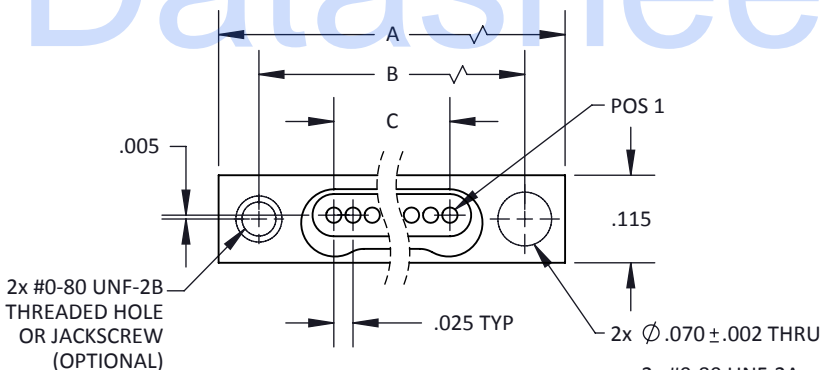


PLUG



RECEPTACLE

NO. OF CONTACTS	A	B	C
9	.500	.395	.200
15	.650	.545	.350
21	.800	.695	.500
25	.900	.795	.600
31	1.050	.945	.750
37	1.200	1.095	.900
51	1.550	1.445	1.250

TOLERANCE: .XXX ±.005  
.XX ±.01  
ANGLE ±1°

TITLE NANO METAL SHELL  
SINGLE ROW  
WITH LEADS

SHT 1 OF 2

DWG. NO. CMN1

REV D



# NANO METAL SHELL SINGLE ROW WITH LEADS

CMN 1 - XX X - X X X X X X X

NANO METAL SHELL WITH LEADS

BODY STYLE  
1 = SINGLE ROW

NUMBER OF CONTACTS  
09 25 51  
15 31  
21 37

GENDER  
P = PLUG, PIN CONTACTS  
S = RECEPTACLE, SOCKET CONTACTS

HARDWARE  
0 = NONE (THRU HOLE ONLY)  
J = JACKSCREW (CAPTURED)  
T = #0-80 THREADED HOLE

SHELL FINISH  
ALUMINUM  
A = CADMIUM  
B = NICKEL  
C = ZINC-NICKEL  
G = GOLD  
STAINLESS STEEL  
P = PASSIVATE  
TITANIUM  
T = TITANIUM (FINISH N/A)

WIRE LENGTH  
STRANDED (+1.00 / -0.00)  
1 = 6 INCHES  
2 = 12 INCHES  
3 = 18 INCHES  
4 = 24 INCHES  
5 = 36 INCHES  
6 = 72 INCHES  
SOLID COPPER (+0.20 / -0.00)  
30 AWG  
1 = 0.5 INCH  
2 = 1.0 INCH  
3 = 0.25 INCH

WIRE SIZE  
0 = 32 AWG STRANDED/30 AWG SOLID  
1 = 30 AWG STRANDED

WIRE COLOR/TYPE  
0 = WHITE \*  
1 = YELLOW  
2 = 10 SOLID COLORS REPEATED \*  
3 = FULL COLOR CODE  
9 = SOLID COPPER \*

TERMINATION  
WIRE TYPE  
STRANDED  
H = HARNESS (MIL-W-16878/6)  
S = SPACE M22759/33  
M = 04047-30A  
N = NEMA HP3  
SOLID  
G = GOLD PLATED COPPER  
T = TIN/LEAD PLATED COPPER

\* = MOST COMMONLY USED & STOCKED WIRE TYPES AND HARDWARE OPTIONS

MATERIALS AND FINISHES ARE IAW MIL-DTL-32139 WHERE APPLICABLE.  
FOR DETAILS SEE MIL-SPEC OR WWW.CRISTEK.COM

1. MATERIALS:

SHELL - ALUMINUM ALLOY, STAINLESS STEEL OR TITANIUM  
INSULATOR - LIQUID CRYSTAL POLYMER OR GLASS FILLED THERMOPLASTIC  
CONTACT - COPPER ALLOY

2. FINISH:

SHELL - ELECTROLESS NICKEL OR CADMIUM OVER ELECTROLESS NICKEL OR PASSIVATE OR GOLD OR ZINC NICKEL  
CONTACT - GOLD OVER NICKEL

3. SPECIFICATIONS:

CURRENT RATING ----- 1 AMP MAX  
TEMPERATURE RATING ----- -55° C TO +125° C  
INSULATION RESISTANCE ----- 5000 MEGOHMS  
DWV AT SEA LEVEL ----- 250 VAC  
DWV AT 70,000 FT ALTITUDE --- 100 VAC  
CONTACT RESISTANCE ----- 30 mV DROP @ 1 A, 10 mA  
CONTACT RETENTION ----- 2 LBS AXIAL LOAD  
ENGAGEMENT FORCE ----- 5 oz MAX  
SEPARATION FORCE ----- 0.4 oz MIN

4. ADDITIONAL INFORMATION:

FOR OTHER TERMINATIONS, CONTACT CRISTEK.

TOLERANCE: .XXX ±.005 .XX ±.01 ANGLE ±1°	TITLE <b>NANO METAL SHELL SINGLE ROW WITH LEADS</b>	SHT 2 OF 2	DWG. NO. <b>CMN1</b>	REV <b>D</b>
--	--	------------	-------------------------	-----------------