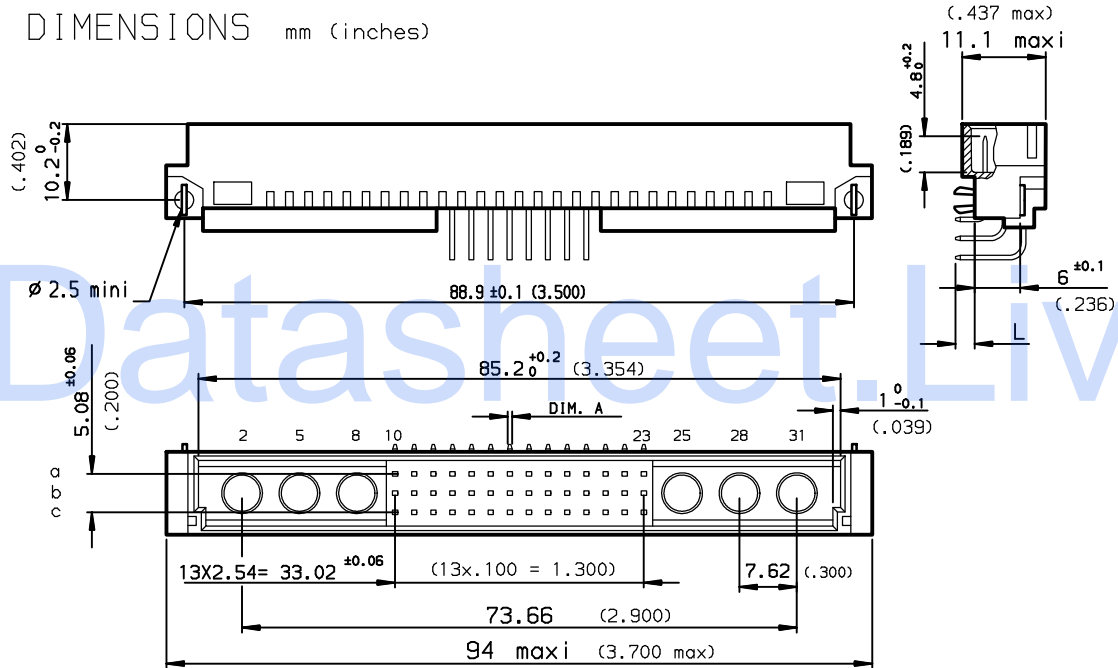


DIMENSIONS mm (inches)



GENERAL CHARACTERISTICS AND ROHS INFORMATIONS;
SEE DRAWING C-8609-0000A

TIN LEAD	LEAD FREE	Pull part
8609 342 E1 13 755 000 E1	8609 342 E1 13 755 E1 LF	Style M header, 42 Position, solder to board, class 2

Application specific part-numbers: See sheet 2

European Views

www.fciconnect.com		surface ISO 1302 ✓	tolerance std ISO 406 ISO 1101	projection mm
TOLERANCES UNLESS OTHERWISE SPECIFIED				
Dr	ROUILLARD	1992/09/16	ANGULAR	LINEAR
Eng	TARON	1992/09/16	0.x	±0.1
Chr	LEGARE	1992/09/16	0.xx	±0.1
Appr	LEGARE	1992/09/16	0.xxx	±0.1
Product family			DIN 8609	Spec ref -
title RIGHT ANGLE HEADER - STYLE M				Rev. F
SOLDER TO BOARD				C-8609-0307-1
catalog no				CUSTOMER sheet 1 of 1

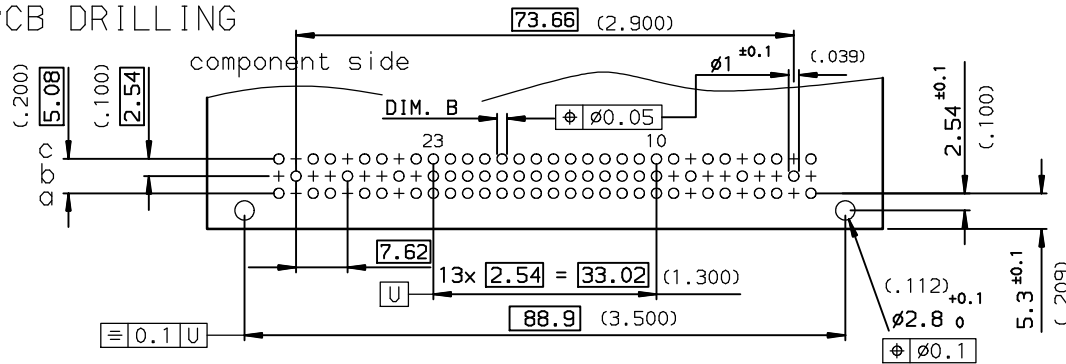
rev	ecn no	dr	date
D	-	ROU	2002/08/30
E	LS05-001	JTA	2005/03/01
F	LS06-0097	LGO	2006/07/11
-	-	-	-
-	-	-	-
-	-	-	-
-	-	-	-



Copyright FCI.

PART NUMBER	8609			E1				5	
PIN OUT	rows a-b-c	---	---	3	42				
	rows a-c	---	---	4	28				
NUMBER OF CONTACTS									
TERMINATION									
L = 2.75 ±0.15 (.108)	A = ∅0.6 ⁰ _{-0.08}	B = ∅0.8 ⁰ _{+0.3}						13	
L = 4.15 ±0.15 (.163)	A = 0.6X0.6	B = ∅1±0.1						23	
no option	---	---	---	---	---	---	---	7	
with harpoons	---	---	---	---	---	---	---	H	
DIN 41612 class 3	---	---	---	---	---	---	---	4	
DIN 41612 class 2	---	---	---	---	---	---	---	5	
DIN 41612 class 1	---	---	---	---	---	---	---	6	
TERMINATION TYPE	---	---	---	---	---	---	---	---	---
TIN LEAD	---	---	---	---	---	---	---	---	---
LEAD FREE	---	---	---	---	---	---	---	---	---
									000E1
									E1LF

PCB DRILLING



GENERAL CHARACTERISTICS AND ROHS INFORMATIONS:

SEE DRAWING C-8609-0000A

European Views

rev	ecn no	dr	date
D	-	ROU	2002/08/30
E	LS05-001	JTA	2005/03/01
F	LS06-0097	LGO	2006/07/11
-	-	-	-
-	-	-	-
-	-	-	-
-	-	-	-

www.fciconnect.com		surface ISO 1302 <input checked="" type="checkbox"/>	tolerance std ISO 406 ISO 1101	projection 	mm
TOLERANCES UNLESS OTHERWISE SPECIFIED					
Dr	ROUILLARD	1992/09/16	ANGULAR	0.x ±0.1	size A3
Eng	TARON	1992/09/16	LINEAR	0.xx ±0.1	Scale 1.5
Chr	LEGARE	1992/09/16	0.xx' ±2'	0.xxx ±0.1	ECN LS06-0097
Appr	LEGARE	1992/09/16	Product family	DIN 8609	Spec ref -
FCI			title RIGHT ANGLE HEADER - STYLE M		Rev. F
			SOLDER TO BOARD		eng C-8609-0307-2
catalog no					CUSTOMER sheet 1 of 1