

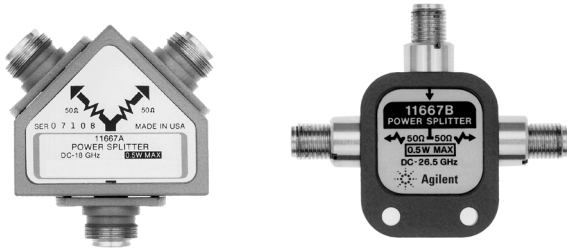
# Agilent RF and Microwave Test Accessories

## Power Dividers and Splitters

## Power Dividers and Splitters

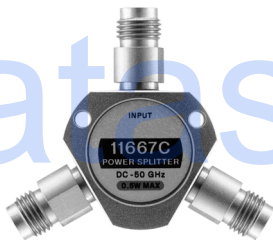
### Agilent 11667A,B power splitters

These power splitters feature excellent match and tracking between outputs, operating from dc to 26.5 GHz. Power splitters are recommended for external source leveling and ratio measurements.

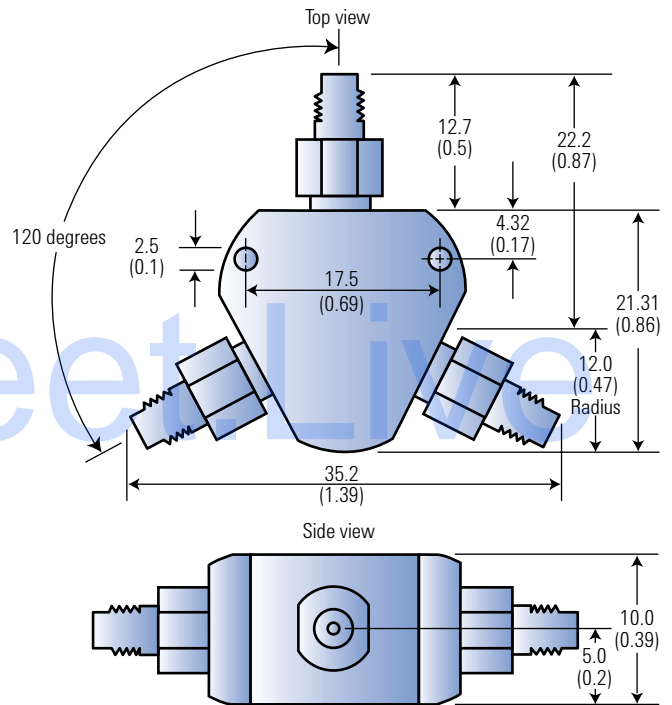


Agilent 11667A

Agilent 11667B



Agilent 11667C



Dimensions are in mm (inches) nominal, unless otherwise specified.

### Agilent 11667C power splitter

This two-resistor power splitter is recommended for applications that require external source leveling, or for ratio measurements. It covers the entire dc to 50 GHz frequency band by use of 2.4 mm connectors and advanced micro-circuitry for the resistive components. These two-resistor type splitters provide excellent output SWR at the auxiliary arm when used for source leveling or ratio measurement applications. The tracking between output arms over a frequency range from dc to 50 GHz allows wideband measurements to be made with a minimum of uncertainty.

| Specifications                     |                 |                                      |                     |   |                                |                      |                         |
|------------------------------------|-----------------|--------------------------------------|---------------------|---|--------------------------------|----------------------|-------------------------|
| Agilent model                      | Frequency range | Equivalent output SWR (nominal 50 Ω) | Maximum input power | Nominal Insertion loss (input to either output) | Tracking between any two ports | Connectors           | Shipping weight lb (kg) |
| 11667A<br>Option 001<br>Option 002 | dc to 18.0 GHz  | 1.10: dc to 4 GHz                    | 0.5 W               | 7 dB  | 0.15 dB to 4 GHz               | N (f) all ports      | 0.2 (0.5)               |
|                                    |                 | 1.20: dc to 8 GHz                    |                     |   | 0.20 dB to 8 GHz               |                      |                         |
|                                    |                 | 1.33: dc to 18 GHz                   |                     |   | 0.25 dB to 18 GHz              |                      |                         |
| 11667B                             | dc to 26.5 GHz  | 1.22                                 | 0.5 W               | 7 dB  | <0.25 dB                       | 3.5 mm (f) all ports | 0.14 (0.3)              |
| 11667C                             | dc to 50 GHz    | 1.65                                 | 0.5 W               | 8.5 dB  | <0.40 dB                       | 2.4 mm (f) all ports | 0.14 (0.3)              |

## Power Dividers and Splitters

## Power Dividers and Splitters

### Agilent Technologies' Test and Measurement Support, Services, and Assistance

Agilent Technologies aims to maximize the value you receive, while minimizing your risk and problems. We strive to ensure that you get the test and measurement capabilities you paid for and obtain the support you need. Our extensive support resources and services can help you choose the right Agilent products for your applications and apply them successfully. Every instrument and system we sell has a global warranty. Two concepts underlie Agilent's overall support policy: "Our Promise" and "Your Advantage."

### Our Promise

Our Promise means your Agilent test and measurement equipment will meet its advertised performance and functionality. When you are choosing new equipment, we will help you with product information, including realistic performance specifications and practical recommendations from experienced test engineers. When you use Agilent equipment, we can verify that it works properly, help with product operation, and provide basic measurement assistance for the use of specified capabilities, at no extra cost upon request. Many self-help tools are available.

### Your Advantage

Your Advantage means that Agilent offers a wide range of additional expert test and measurement services, which you can purchase according to your unique technical and business needs. Solve problems efficiently and gain a competitive edge by contracting with us for calibration, extra-cost upgrades, out-of-warranty repairs, and onsite education and training, as well as design, system integration, project management, and other professional engineering services. Experienced Agilent engineers and technicians worldwide can help you maximize your productivity, optimize the return on investment of your Agilent instruments and systems, and obtain dependable measurement accuracy for the life of those products.

For more information on Agilent Technologies' products, applications or services, please contact your local Agilent office. The complete list is available at:

### [www.agilent.com/find/contactus](http://www.agilent.com/find/contactus)

Product specifications and descriptions in this document subject to change without notice.

### Phone or Fax

#### United States:

(tel) 800 829 4444  
(fax) 800 829 4433

#### Canada:

(tel) 877 894 4414  
(fax) 800 746 4866

#### China:

(tel) 800 810 0189  
(fax) 800 820 2816

#### Europe:

(tel) 31 20 547 2111

#### Japan:

(tel) (81) 426 56 7832  
(fax) (81) 426 56 7840

#### Korea:

(tel) (080) 769 0800  
(fax) (080)769 0900

#### Latin America:

(tel) (305) 269 7500

#### Taiwan:

(tel) 0800 047 866  
(fax) 0800 286 331

#### Other Asia Pacific

#### Countries:

(tel) (65) 6375 8100  
(fax) (65) 6755 0042

Email: [tm\\_ap@agilent.com](mailto:tm_ap@agilent.com)

Contacts revised: 1/12/05



## Agilent Email Updates

[www.agilent.com/find/emailupdates](http://www.agilent.com/find/emailupdates)

Get the latest information on the products and applications you select.

### Agilent T&M Software and Connectivity

Agilent's Test and Measurement software and connectivity products, solutions and developer network allows you to take time out of connecting your instruments to your computer with tools based on PC standards, so you can focus on your tasks, not on your connections. Visit [www.agilent.com/find/connectivity](http://www.agilent.com/find/connectivity) for more information.

© Agilent Technologies, Inc. 2000, 2003, 2005  
Printed in USA December, 2000



Agilent Technologies