

Crystal Clock Oscillator

- 50 pf load capable
- 3.3 VDC input available
- TTL and CMOS compatible
- Optional tristate

Series CH11



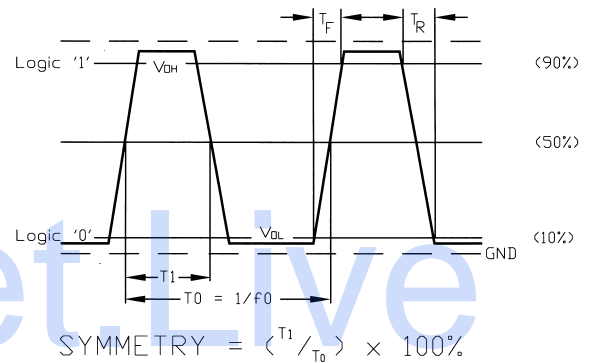
Part Numbering Example: CH11 00 4 L 45 - A2 - 50.0 TS

| CH11 | 00 | 4 | L | 45 | A2 | 50.0 | TS |
|--------|--|--|------------------------|-------------------------------|---|-----------|---|
| SERIES | STABILITY | PACKAGE STYLE | VOLTAGE | SYMMETRY | OPERATING TEMP. | FREQUENCY | |
| CH11 | 00 = ±100 ppm 50 = ± 50 ppm 25 = ± 25 ppm 10 = ± 10 ppm | 1 = Full Size 3 = Full Size, Gull Wing 4 = Half Size 6 = Half Size, Gull Wing | Blank = 5V L = 3.3V | Blank = 40/60% 45 = 45/55% | Blank = 0°C ~ +70°C A2 = -40°C ~ +85°C | | Blank = No Connection TS = Tristate, pin 1 |

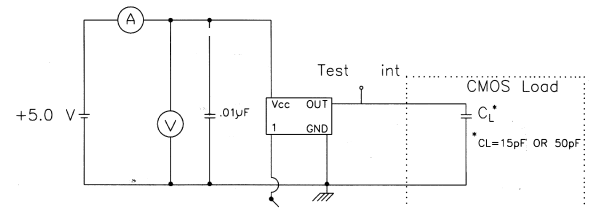
Specifications:

| | |
|---|--|
| Frequency Range: | 1.8432 MHz to 100.000 MHz |
| Available Stability Options: | ±100 ppm <i>Standard</i> ±50 ppm ±25 ppm ±10 ppm |
| Output Series: | TTL/CMOS |
| Input Voltage: | +5.0 VDC ±10% <i>Standard</i> +3.3 VDC ±10% |
| Operating Temperature Range Options: | -10°C to +70°C <i>Standard</i> -40°C to +85°C |
| Output Voltage: | HCMOS $V_{OL} = 10\% V_{DD} V$ Max. HCMOS $V_{OH} = 90\% V_{DD} V$ Min. |
| Output Load: | 10 TTL, 50 pf CMOS |
| Maximum Input Current: | 25 mA (1.8432 to 24.999 MHz) 45 mA (25.000 to 49.999 MHz) 70 mA (50.000 to 69.999 MHz) 80 mA (70.000 to 100.000 MHz) |
| Maximum Rise/Fall Time: | 7 ns |
| Duty Cycle: | 40/60% <i>Standard</i> 45/55% |
| Max. Start-Up Time: | 10 ms |
| Tristate Input: | @+5 VDC Input +0.80 VDC Max. to Disable +3.60 VDC Min. to Enable or Open to Enable @+3.3 VDC Input +0.80 VDC Max. to Disable +2.20 VDC Min. to Enable or open to Enable |
| Storage Temperature: | -55°C to +125°C |

OUTPUT WAVE FORM



TEST CIRCUIT

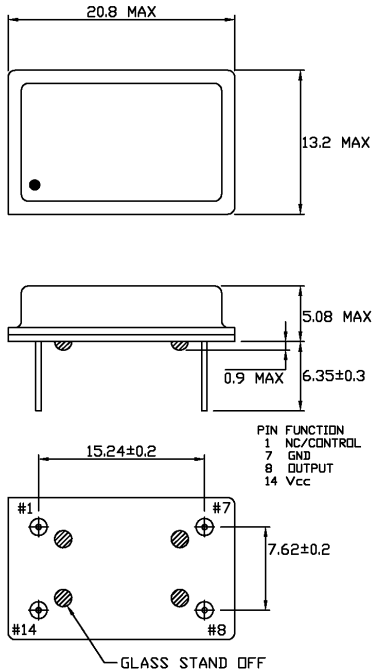


* Includes stray and probe capacitance (15pF TYP)

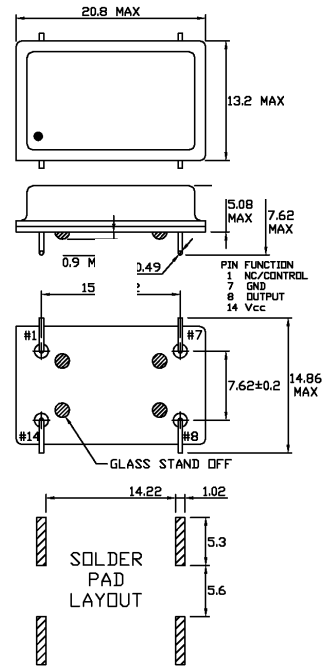


Dip Oscillator Package Dimensions

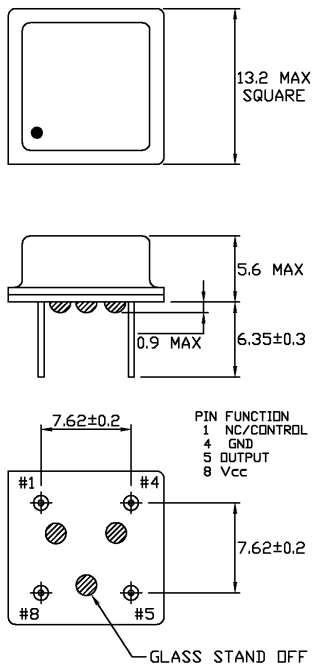
Style 1 Full Size 14 Pin Dip



Style 3 Full Size 14 Pin Dip Gull Wing



Style 4 Half Size 8 Pin Dip



Style 6 Half Size 8 Pin Dip Gull Wing

