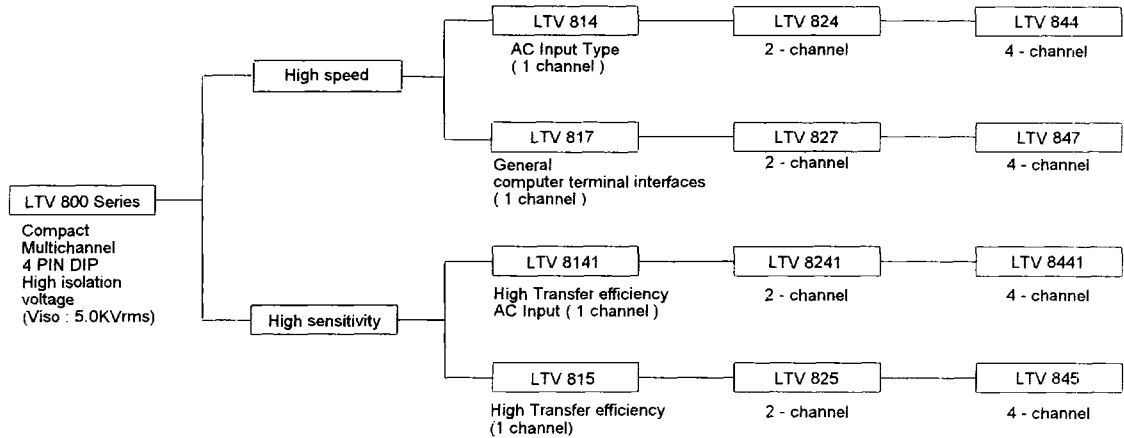
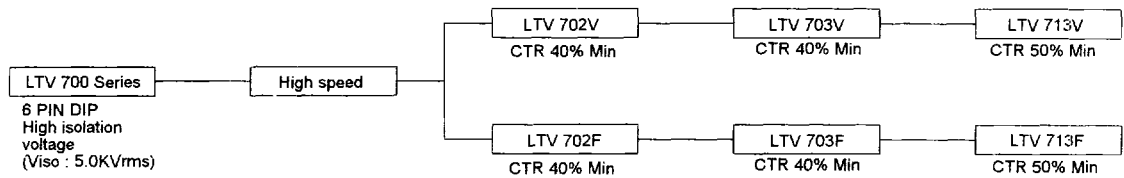
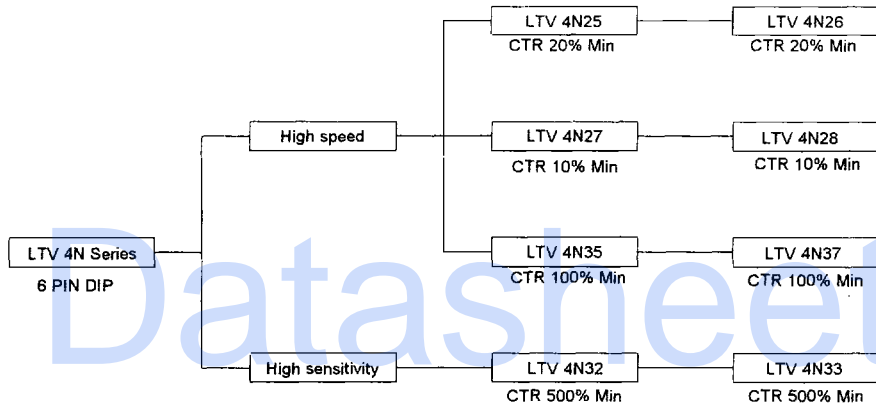


# CLASSIFICATION CHART



# SELECTION GUIDE

## ■(LTV 4N SERIES).... 6-PIN GENERAL PURPOSE

Part No.	Features	Package 6-pin DIP	*1 Output		With Base Termi- nal	Isolation Voltage Viso (vrms)	Collector- emitter Voltage V <sub>ceo</sub> (v)	Current Transfer Ratio CTR		Response Time t <sub>r</sub>			Turn-On time t <sub>on</sub>	Page No.
			SPT	DPT				MIN. (%)	I <sub>F</sub> (mA)	TYP. (μS)	R <sub>L</sub> (Ω)	MAX. (μS)		
LTV4N25	General purpose type	○	○		○	2,500	30	20	10	3	100	—	—	3-7
LTV4N26	General purpose type	○	○		○	1,500	30	20	10	3	100	—	—	3-7
LTV4N27	General purpose type	○	○		○	1,500	30	10	10	3	100	—	—	3-7
LTV4N28	General purpose type	○	○		○	500	30	10	10	3	100	—	—	3-7
LTV4N32	High transfer efficiency type	○		○	○	2,500	30	500	10	—	—	5	50	3-12
LTV4N33	High transfer efficiency type	○		○	○	1,500	30	500	10	—	—	5	50	3-12
LTV4N35	General purpose type	○	○		○	3,550	30	100	10	—	—	3	2	3-17
LTV4N37	General purpose type	○	○		○	1,500	30	100	10	—	—	3	2	3-17

## ■(LTV 700 SERIES).... 6-PIN DIP HIGH ISOLATION VOLTAGE

Part No.	Features	Package 6-pin DIP	*1 Output		With Base Termi- nal	Isolation Voltage Viso (Vrms)	Collector-emitter Voltage V <sub>CEO</sub> (V)	Current Transfer Ratio CTR		Response Time t <sub>r</sub>		Page No.
			SPT	DPT				MIN. (%)	I <sub>F</sub> (mA)	TYP. (μS)	R <sub>L</sub> (Ω)	
LTV702V	High collector-emitter voltage type	○	○		○	5,000	70	40	10	2	75	3-22.
LTV702F	High collector-emitter voltage type	○	○			5,000	70	40	10	2	75	3-28
LTV703V	High collector-emitter voltage type	○	○		○	5,000	70	40	10	4	100	3-34
LTV703F	High collector-emitter voltage type	○	○			5,000	70	40	10	4	100	3-40
LTV713V	General purpose type	○	○		○	5,000	35	50	5	4	100	3-46
LTV713F	General purpose type	○	○			5,000	35	50	5	4	100	3-52

## ■(LTV 800 SERIES).... 4-PIN HIGH ISOLATION VOLTAGE

Part No.	Features	Package			*1 Output		Isolation Voltage Viso (Vrms)	Current Transfer Ratio CTR		Response Time t <sub>r</sub>		Page No.
		4-pin DIP	8-pin DIP	16-pin DIP	SPT	DPT		MIN. (%)	I <sub>F</sub> (mA)	TYP. (μS)	R <sub>L</sub> (Ω)	
LTV814	AC input type (1-channel)	○			○		5,000	20	±1	4	100	3-58
LTV824	AC input type (2-channel)		○		○		5,000	20	±1	4	100	3-58
LTV844	AC input type (4-channel)			○	○		5,000	20	±1	4	100	3-58
LTV8141	High transfer efficiency AC input type (1-channel)	○				○	5,000	600	±1	60	100	3-64
LTV8241	High transfer efficiency AC input type (2-channel)		○		○		5,000	600	±1	60	100	3-64
LTV8441	High transfer efficiency AC input type (4-channel)			○	○		5,000	600	±1	60	100	3-64
LTV815	High transfer efficiency type (1-channel)	○			○		5,000	600	1	60	100	3-71
LTV825	High transfer efficiency type (2-channel)		○		○		5,000	600	1	60	100	3-71
LTV845	High transfer efficiency type (4-channel)			○	○		5,000	600	1	60	100	3-71
LTV817	General purpose type (1-channel)	○			○		5,000	50	5	4	100	3-78
LTV827	General purpose type (2-channel)		○		○		5,000	50	5	4	100	3-78
LTV847	General purpose type (4-channel)			○	○		5,000	50	5	4	100	3-78

\*1 SPT : Single transistor output DPT : Darlington transistor output