

REVISIONS			
REV	DESCRIPTION	DATE	ISSUED BY
-	ISSUE 1	10/27/99	

# Datasheet.Live

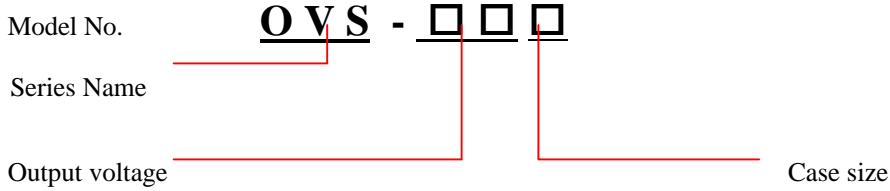
FILE NAME: <b>CAD1:MSWORD:PA212243.DOC</b>	SCALE: <b>NONE</b>	REV: -	SH 1 OF 7
TITLE: <b>OVS SERIES SPECIFICATION</b>	DOCUMENT NUMBER: <b>P-A2-12243</b>		
<b>TAMIRA CORPORATION OF AMERICA</b> 43352 BUSINESS PARK DRIVE • TEMECULA • CA • 92590 TEL: (909) 699-1270 • FAX: 9096769482	PREPARED BY:		
	ENGINEERING:		
	APPROVED:		
PROPRIETARY NOTICE: THIS DRAWING PRINT OR DOCUMENT AND SUBJECT MATTER DISCLOSED HEREIN ARE PROPRIETARY ITEMS TO WHICH TAMURA RETAINS THE EXCLUSIVE RIGHT OF DISSEMINATION, REPRODUCTION, MANUFACTURE AND SALE. THIS DRAWING, PRINT OR DOCUMENT IS SUBMITTED IN CONFIDENCE FOR CONSIDERATION BY THE RECIPIENT ALONE UNLESS PERMISSION FOR FURTHER DISCLOSURE IS EXPRESSLY GRANTED IN WRITING.			

A. Electrical Specifications

(1) AC Input Voltage Rating	AC115V/AC230V by Manual Voltage Selector, 50/60Hz (47 - 63Hz)
AC Input Voltage Range	AC90 - 132V AC180 - 264V
(2) Input Surge Current	30A MAX at nominal line (115/230V) cold start
(3) DC Output Adjustment Range	± 10% MIN
(4) Line Regulation	± 0.5% MAX under specified input range
(5) Load Regulation	± 0.5% MAX from no load to full rated load
(6) Output Ripple and Noise	5 - 15V output 75mVp-p MAX 24V output 120mVp-p MAX } DC to 20MHz BW
(7) Hold-up Time	20msec MIN under nominal line and rated load
(8) Output Transient Response	1msec MAX over ±2% of rated voltage under 50 - 100% load change
(9) Output Voltage Rise Time	100msec MAX, from 10% to 90% of rated output voltage
(10) Efficiency	70% MIN at nominal line and rated load
(11) Overload Protection	120% TYP of rated load, fold-back limiting type
(12) OverVoltage Protection	5V output 5.7 - 6.7V 12V output 14.25 - 15.75V 15V output 17.25 - 18.75V 24V output 27.0 - 29.0V
(13) Leakage Current	0.75mA rms MAX
(14) Overshoot	No overshoot during turn ON/OFF
(15) Output Voltage Stability	± 0.1% MAX for 8 hours after 20 minute warm-up
(16) Temperature Coefficient	±0.02% per deg. C MAX
(17) Remote/Local Sensing	Built-in
(18) Remote ON/OFF Control	Built-in F, G, H and J Series, 300uA MIN < 1V for inhibit, > 4.5V for ON

FILE NAME: CAD1:MSWORD:PA212243.DOC	SCALE: NONE	REV: -	DATE: 10/27/99	SH 2 OF 7
<b>TAMURA CORPORATION OF AMERICA</b> 43352 BUSINESS PARK DRIVE • TEMECULA • CA • 92590 TEL: (909) 699-1270 • FAX: 9096769482	TITLE: OVS SERIES SPECIFICATION			
	DOCUMENT NUMBER: <b>P-A2-12243</b>			

- (19) AC Power Fail Signal Built-in on 5V output models only, other voltages optional  
 Power Good Logic "0"  
 Power Fail Logic "1", 5msec MIN pulse width
- (20) Withstand Voltage AC 3KV (Input - Output), AC 1.5KV (Input - Chassis ground)
- (21) Insulation Resistance 50Mohm MIN DC500V (Input - Output)
- (22) Part Number Description



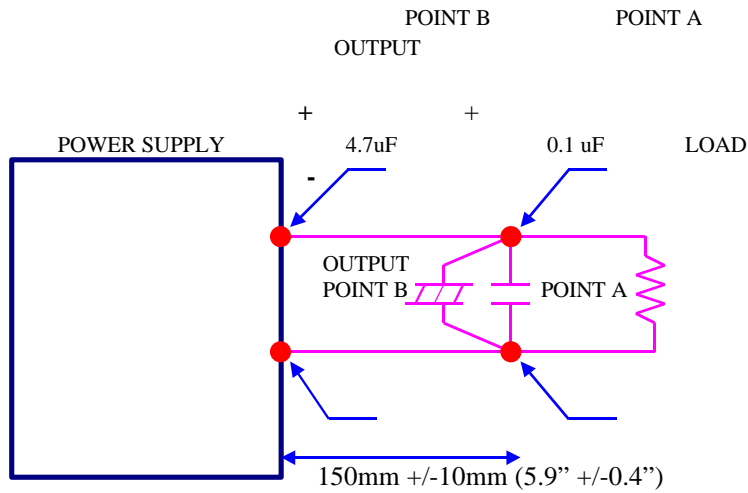
CASE SIZE	MODEL	VOLTS	AMPS
E	OVS-5E	5	0-10
	OVS-12E	12	0-5
	OVS-15E	15	0-4
	OVS-24E	24	0-2.5
F	OVS-5F	5	0-20
	OVS-12F	12	0-10
	OVS-15F	15	0-8
	OVS-24F	24	0-5
G	OVS-5G	5	0-30
	OVS-12G	12	0-15
	OVS-24G	24	0-8
	OVS-15G	15	0-12
H	OVS-5H	5	0-45
	OVS-12H	12	0-22
	OVS-15H	15	0-18
	OVS-24H	24	0-12
J	OVS-5J	5	0-60
	OVS-12J	12	0-30
	OVS-15J	15	0-25
	OVS-24J	24	0-16

FILE NAME: CAD1:MSWORD:PA212243.DOC	SCALE: NONE	REV: -	DATE: 10/27/99	SH 3 OF 7
<b>TAMURA CORPORATION OF AMERICA</b> 43352 BUSINESS PARK DRIVE • TEMECULA • CA • 92590 TEL: (909) 699-1270 • FAX: 9096769482		TITLE: <b>OVS SERIES SPECIFICATION</b>		
		DOCUMENT NUMBER: <b>P-A2-12243</b>		

Note 1. Output ripple and noise to be measured with a 4.7uF +0.1 uF film or ceramic capacitor measured at points A as shown below.

Note 2. Output voltage to be measured at output terminals, Points B as shown below.

Note 3. Factory default input setting is AC115V.



**Measuring Points**

A: Output Ripple and Noise

B: Output Voltage

**Capacitors**

4.7uF: Low ESR Electrolytic

0.1uF: Polyester film or ceramic

**B. Safety**

Approved by UL1950, CSA 1402C, EN60950, VDE0805

CE Marking: EC Declaration of Conformity for LVD (Not indicated) May be issued.

**C. EMI (Conductive)**

Meets FCC20780 Part 15J	Class B	E, F Series
	Class A	G, H, J Series
VDE 0871	Class B	E, F Series
	Class A	G, H, J Series
VCC1	Class 2	E, F Series
	Class 1	G, H, J Series

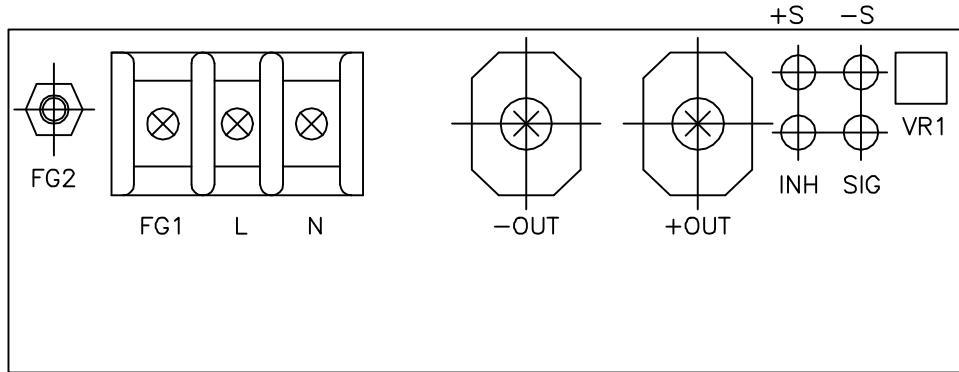
**D. Environmental**

- (1) Operating Temperature      0 to +50 deg. C (+40 deg. C with cover) \*  
For operation above 50 deg. C derate linearly to 50% load at +71 deg. C (+61 deg. C with cover) \*  
\* Ambient temperature to be measured at 1" above the main transformer.
- (2) Storage Temperature        -20 to +85 deg. C
- (3) Operating Humidity         10 - 90% RH, non condensing
- (4) Storage Humidity            10 - 95%, non condensing
- (5) Vibration                      10 - 55Hz, 2G (All axis, 1 hour)
- (6) Shock                          20msec, 20G (All axis, 3X ea.)

FILE NAME: CAD1:MSWORD:PA212243.DOC	SCALE: NONE	REV: -	DATE: 10/27/99	SH 4 OF 7
<b>TAMURA CORPORATION OF AMERICA</b> 43352 BUSINESS PARK DRIVE • TEMECULA • CA • 92590 TEL: (909) 699-1270 • FAX: 9096769482		TITLE: <b>OVS SERIES SPECIFICATION</b>		
		DOCUMENT NUMBER: <b>P-A2-12243</b>		

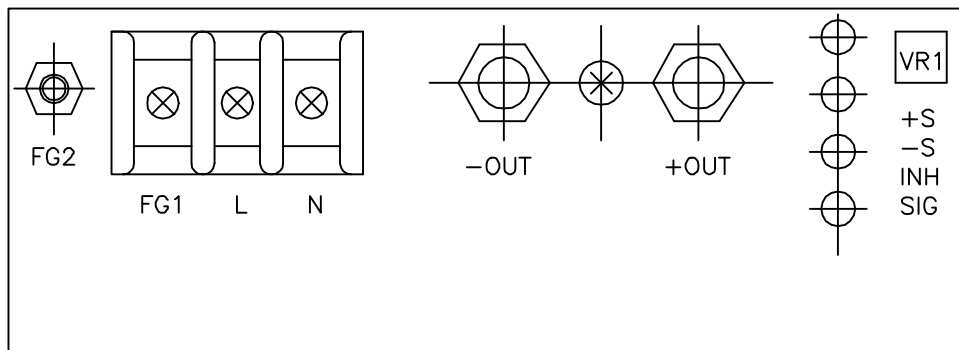
## E. Input/Output Connector Layout

Cases E, F and G



Note: Case E does not have an inhibit terminal.

Cases H and J



FG1: AC GROUND  
 FG2: CHASSIS GROUND  
 L: AC LINE  
 N: AC NEUTRAL  
 OUT: OUTPUT  
 S: SENSE  
 INH: INHIBIT  
 SIG: AC POWER FAIL SIGNAL  
 VR1: VOLTAGE ADJUST

## F. Connector Type and Size

MODEL	TERMINALS		
	FG1, L, N	±OUT	±S, INH, SIG
OVS-E,F,G	M4	#6-3 UNC	Bead Pins: R93-31 (MOLEX) or SVF-01T-2.36N
OVS-H,J	M4	#1 4-20 UNC	

FILE NAME: CAD1:MSWORD:PA212243.DOC

SCALE: NONE

REV: -

DATE: 10/27/99

SH 5 OF 7

**TAMURA CORPORATION OF AMERICA**

43352 BUSINESS PARK DRIVE • TEMECULA • CA • 92590

TEL:(909)699-1270 • FAX:9096769482

TITLE:

**OVS SERIES SPECIFICATION**

DOCUMENT NUMBER:

**P-A2-12243**

G. Mechanical Specifications, dimensions shown in mm (inches).

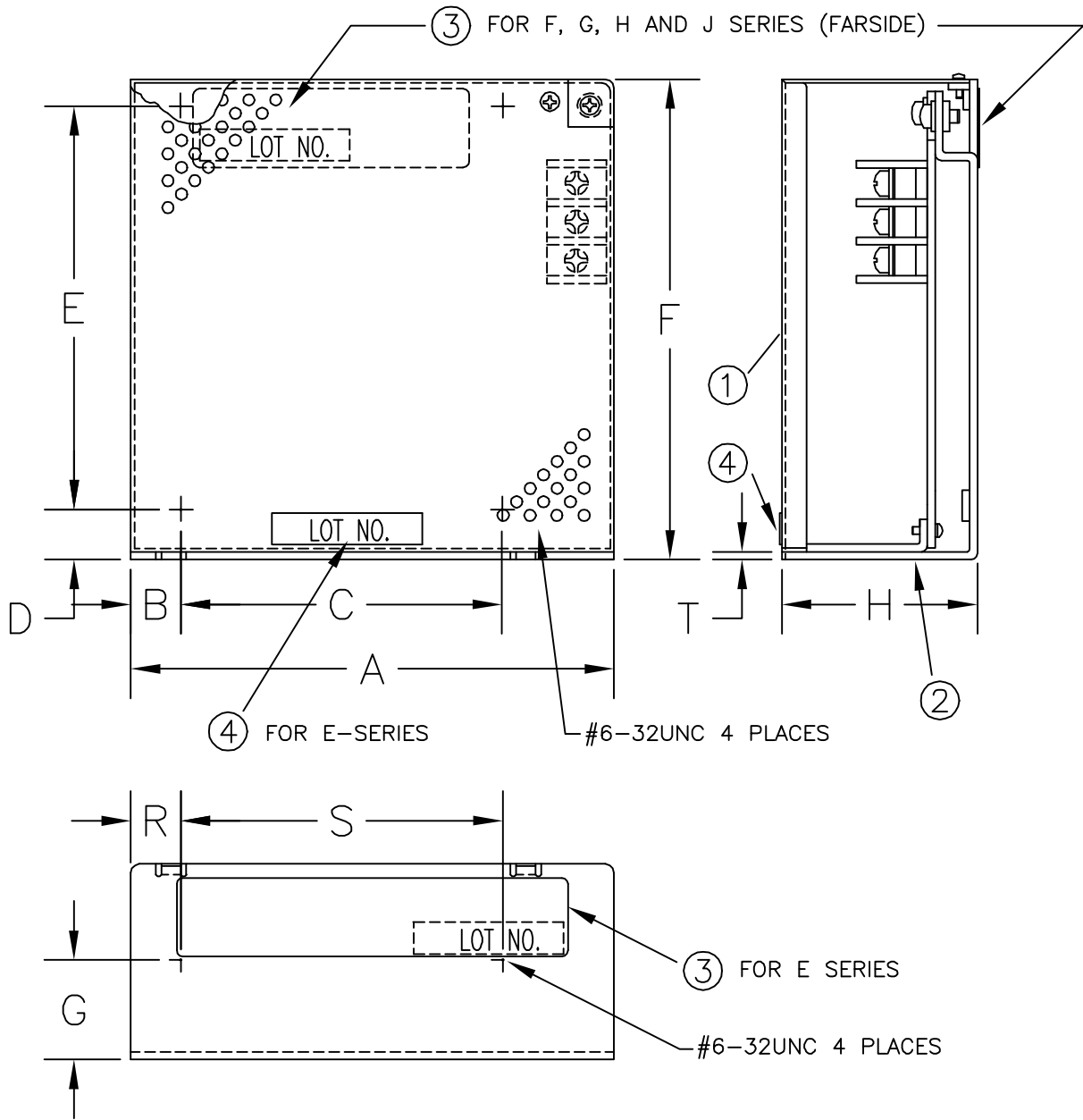
See sheet 7 for drawing representaion

MODEL	A	B	C	D	E	F	G	H	R	S	T
OVS-E	117.3 (4.62)	12.7 (0.50)	76.29 (3.00)	12.7 (0.50)	104.6 (4.12)	124 (4.88)	25.4 (1.00)	50.8 (2.00)	12.7 (0.50)	76.2 (3.00)	2.00 (0.079)
OVS-F	180.3 (7.10)	38.1 (1.50)	114.3 (4.50)	12.7 (0.50)	104.6 (4.12)	124 (4.88)	30.2 (1.19)	60.2 (2.37)	38.1 (1.50)	114.3 (4.50)	2.00 (0.079)
OVS-G	218.4 (8.60)	12.7 (0.50)	177.8 (7.00)	12.7 (0.50)	104.6 (4.12)	124 (4.88)	30.2 (1.19)	60.2 (2.37)	12.7 (0.50)	177.8 (7.00)	2.00 (0.079)
OVS-H	269.2 (10.60)	12.7 (0.50)	228.6 (9.00)	12.7 (0.50)	104.6 (4.12)	124 (4.88)	33.3 (1.31)	66.0 (2.60)	12.7 (0.50)	228.6 (9.00)	3.00 (0.116)
OVS-J	304.8 (12.00)	12.7 (0.50)	254 (10.00)	12.7 (0.50)	104.6 (4.12)	124 (4.88)	34.8 (1.37)	69.9 (2.75)	12.7 (0.50)	279.4 (11.00)	3.00 (0.118)
TOLERANCES	±1.016 (±0.04)	±0.508 (±0.02)	±0.254 (±0.01)	±0.508 (±0.02)	±0.254 (±0.01)	±1.016 (±0.04)	±0.508 (±0.02)	±1.016 (±0.04)	±0.508 (±0.02)	±0.254 (±0.01)	N/A

Material List

ITEM #	PART NAME	QTY	MATERIAL
1	COVER	1	ALUMINUM SHEET
2	CHASSIS	1	ALUMINUM SHEET
3	LABEL	1	PAPER
4	LABEL FOR E ONLY	1	PAPER

FILE NAME: CAD1:MSWORD:PA212243.DOC	SCALE: NONE	REV: -	DATE: 10/27/99	SH 6 OF 7
<b>TAMURA CORPORATION OF AMERICA</b> 43352 BUSINESS PARK DRIVE • TEMECULA • CA • 92590 TEL: (909) 699-1270 • FAX: 9096769482		TITLE: <b>OVS SERIES SPECIFICATION</b> DOCUMENT NUMBER: <b>P-A2-12243</b>		



FILE NAME: CAD1:MSWORD:PA212243.DOC	SCALE: NONE	REV: -	DATE: 10/27/99	SH 7 OF 7
<b>TAMURA CORPORATION OF AMERICA</b> 43352 BUSINESS PARK DRIVE • TEMECULA • CA • 92590 TEL:(909)699-1270 • FAX:9096769482		TITLE: <b>OVS SERIES SPECIFICATION</b> DOCUMENT NUMBER: <b>P-A2-12243</b>		