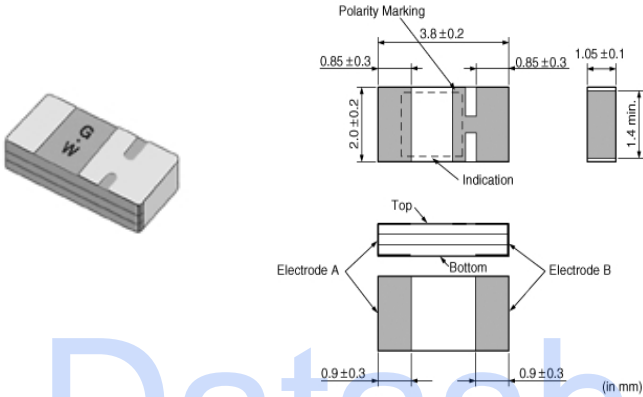


# PKGS-00GXP1-R



## Appearance & Shape



Datasheet.Live

## Applications

|             |                  |
|-------------|------------------|
| Other Usage | For consumer use |
|-------------|------------------|


## Packaging Information

| Packaging | Specifications      | Standard Packing Quantity |
|-----------|---------------------|---------------------------|
| R         | 180mm Embossed Tape | 3000                      |

### Attention

- 1.This datasheet is downloaded from the website of Murata Manufacturing Co., Ltd. Therefore, it's specifications are subject to change or our products in it may be discontinued without advance notice. Please check with our sales representatives or product engineers before ordering.
- 2.This datasheet has only typical specifications because there is no space for detailed specifications. Therefore, please review our product specifications or consult the approval sheet for product specifications before ordering.

# PKGS-00GXP1-R



## Specifications

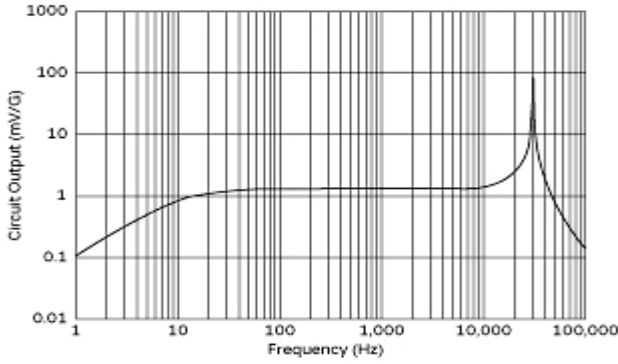
|                             |                                  |
|-----------------------------|----------------------------------|
| Operating Temperature Range | -40°C to 85°C                    |
| Primary Axis Inclined Angle | 0°                               |
| Sensitivity(typ.)           | 0.35pC/G                         |
| Capacitance(typ.)           | 390pF                            |
| Insulation Resistance(min.) | 500MΩ                            |
| Non-linearity(typ.)         | 1%                               |
| Shock Resistance            | 3000G (0.3ms duration)           |
| Sensitivity Type            | Electric charge sensitivity type |
| Resonance Frequency         | 31kHz                            |
| Storage Temperature Range   | -40°C to 85°C                    |

### Attention

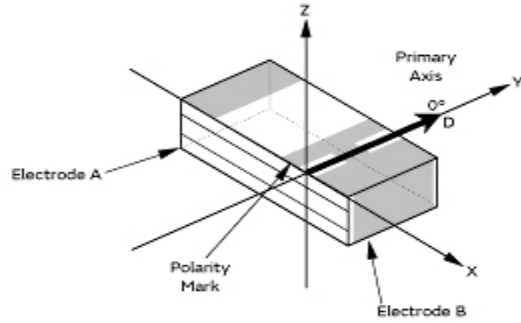
- 1.This datasheet is downloaded from the website of Murata Manufacturing Co., Ltd. Therefore, it's specifications are subject to change or our products in it may be discontinued without advance notice. Please check with our sales representatives or product engineers before ordering.
- 2.This datasheet has only typical specifications because there is no space for detailed specifications.  
Therefore, please review our product specifications or consult the approval sheet for product specifications before ordering.

# PKGS-00GXP1-R

## Product Data



Freq. Characteristics



Primary axis inclined angle

**Attention**

- 1.This datasheet is downloaded from the website of Murata Manufacturing Co., Ltd. Therefore, it's specifications are subject to change or our products in it may be discontinued without advance notice. Please check with our sales representatives or product engineers before ordering.
- 2.This datasheet has only typical specifications because there is no space for detailed specifications. Therefore, please review our product specifications or consult the approval sheet for product specifications before ordering.