

STANDARD SILICON RECTIFIERS (continued)

I(A)	1.0									
	D041		D015	D041/D015		D0204AP			D041	
50	GP10A	BYW27-50							G1A	1N4001*/M100A
100	GP10B	BYW27-100							G1B	1N4002*/M100B
200	GP10D	BYW27-200	BY135GP	1N3611GP/ 1N4383GP	1N4245	1N5059*	1N5614		G1D	1N4003*/M100D
300										
400	GP10G	BYW27-400		1N3612GP/ 1N4384GP	1N4246	1N5060*	1N5616		G1G	1N4004*/M100G
500										
600	GP10J	BYW27-600		1N3613GP/ 1N4385GP	1N4247	1N5061*	1N5618		G1J	1N4005*/M100J
700										
800	GP10K	BYW27-800	BY134GP	1N3614GP/ 1N4584GP	1N4248	1N5062*	1N5620		G1K	1N4006*/M100K
1000	**GP10M**	BYW27-1000	**BY133GP	1N3957GP/ 1N4586GP	1N4249		1N5622		G1M	1N4007*/M100M
SURGE (A)	30	50	50	30/50	25	50	50	50	50	30/50







*: Also Available in Superectifier (GP) Suffix
 **: Up to 1600-volts available with GP10, GY133GP, and BYX10GP series
 [Shaded Area]: Shaded Area Indicates Superectifier

GENL INSTR/ POWER
STANDARD SILICON RECTIFIERS (continued)


25E D

3890137 0003316 3

T-91-60

1.0			CHIP	1.5			2.0		
GL-41 MELF 				D015 	D041 	GP20 	D0204AP 	D015 	
1N6478	GL41A	BYM10-50	GPP1A		GP15A	1N5391*	GP20A	G2A	
1N6479	GL41B	BYM10-100	GPP1B		GP15B	1N5392*	GP20B	G2B	
1N6480	GL41D	BYM10-200	GPP1D	AGP15-200+	GP15D	1N5393*	GP20D	G2D	
						1N5394*			
1N6481	GL41G	BYM10-400	GPP1G	AGP15-400+	GP15G	1N5395*	GP20G	G2G	
						1N5396*			
1N6482	GL41J	BYM10-600	GPP1J	AGP15-600+	GP15J	1N5397*	GP20J	G2J	BY126MGP@/ BY226MGP
1N6483	GL41K	BYM10-800	GPP1K	AGP15-800+	GP15K	1N5398*		G2K	
1N6484	GL41M	BYM10-1000	GPP1M		GP15M	1N5399*		G2M	BY127@/ BY227MGP

30	30	30	50	50	50	50	65	50	50/60
----	----	----	----	----	----	----	----	----	-------

*: Also Available in Superrectifier (GP) Suffix
 +: Controlled Avalanche Device
: Shaded Area Indicates Superrectifier
 @: If = 1.75A

GENERAL INSTRUMENT

Packaging Codes

PKG. CODE	PACKAGING DESCRIPTION
1	Bulk
2	26MM Horizontal Reel
3	26MM Horizontal Ammo Pack
4	Standard Horizontal Reel, Class I (Metric 52.4MM)
6	Avisert, Cathode Up, Reel
8	Avisert, Cathode Up, Ammo Pack
10	Avisert, Cathode Down, Reel
12	Avisert, Cathode Down, Ammo Pack
14	Panasert, Cathode Up, Reel
16	Panasert, Cathode Up, Ammo Pack
18	Panasert, Cathode Down Reel
20	Panasert, Cathode Down, Ammo Pack
22	Bulk Pack for Special Axial-Leaded Formed Devices
23	Standard Horizontal Ammo Pack (Metric)
25	GL41 SMD 12MM Tape, 7" Diameter Reel
26	GL41 SMD 12MM Tape, 13" Diameter Reel
31	Standard Horizontal Reel, Class III, 14" Diameter, (Metric 73MM)
32	GL34 SMD, 8MM Tape, 7" Diameter Reel
33	GL34 SMD, 8MM Tape, 13" Diameter Reel
34	Tab Mounted EFR8 Chip, 16MM, 13" Diameter Reel
35	Bulk, Axial-Leaded Conductive Packaging
36	Standard Horizontal Reel (Metric) Conductive Packaging
37	Bulk, TO220, TO3P Conductive Tubes
38	Bulk, Conductive Packaging for Bridge Rectifier
39	Miscellaneous Non-Standard T&R Packaging
40	Euroform, Reel, Cathode First Off Reel, Lead Coated
41	Euroform, Ammo Pack, Cathode First Off Tape, Lead Coated
42	Euroform, Reel, Cathode Last Off Reel, Lead Coated
43	Euroform, Ammo Pack, Cathode Last Off Tape, Lead Coated
44	Standard Horizontal Reel (Metric) 5MM Component Spacing for DO201 Packages
45	Bulk Pack for TO220, TO3P, and Bridge Rectifier Tubes
46	GL41 SMD 12 MM Tape, 7" Diameter Plastic Tubes
47	GL41 SMD 12 MM Tape, 13" Diameter Plastic Reels

Also available for all packaging Electro-Static-Protection by adding the number "50" to the existing codes.
For ex. "51" would be Bulk, Electro-Static Packaging. "54" would be T/R, Electro-Static Packaging.

Axial lead units are packed in accordance with EIA Standard RS-296-D plus specifications given below and the diagrams given below which are referred to in the specifications.

COMPONENT CASE TYPE	UNITS PER REEL	COMPONENT SPACING "A" FIG. 1		TAPE SPACING "B" FIG. 1		REEL DIMENSION "D" FIG. 2		MAX. OFF ALIGNMENT "E" FIG. 1		GROSS WEIGHT PER WHEEL	
		ea.	in.	mm	in.	mm	in.	mm	in.	mm	lbs.
DO15	3500	.220	5.0	2.06	52.4	12.0	305	.047	1.2	4.19	1.9
DO201AD	1200	.395	10.0	2.06	52.4	12.0	305	.047	1.2	4.19	1.9
DO204AP	4000	.200	5.0	2.06	52.4	12.0	305	.047	1.2	4.41	2.0
DO204MB	4000	.220	5.0	2.06	52.4	12.0	305	.047	1.2	2.65	1.2
DO41	5000	.220	5.0	2.06	52.4	12.0	305	.047	1.2	4.63	2.1
G3/G4	1500	.395	10.0	2.06	52.4	12.0	305	.047	1.2	3.75	1.7
GL34 Surface Mount	2500/9000	.157	4.0	—	—	7/13	178/330	See Fig. 6	.471/1.49	.214/68	
GL41 Surface Mount	1500/5000	.157	4.0	—	—	7/13	178/330	See Fig. 6	.471/1.49	.214/68	
GP10 Only Verticle	2000	.500	12.7	—	—	12.0	305	.079	2.0	2.29	1.04
GP10E	4000	.200	5.0	2.06	52.4	12.0	3.05	.047	1.2	3.04	1.38
GP20	1200	.395	10.0	2.06	52.4	12.0	305	.047	1.2	3.42	1.55
J,JTX,1N5415	2500	.200	5.0	2.06	52.4	12.0	305	.047	1.2	4.19	1.9
J,JTX, 1N5550	2500	.200	5.0	2.06	52.4	12.0	305	.047	1.2	4.19	1.9
J, JTX, 1N5807	2500	.200	5.0	2.06	52.4	12.0	305	.047	1.2	4.19	1.9
MPG06	5000	.200	5.0	2.06	52.4	12.0	305	.047	1.2	2.20	1.0
P600	700	.395	10.0	2.06	52.4	12.0	305	.047	1.2	3.75	1.7

Table 2

Component Body Dia.	Metric Spec.		Cumulative pitch tolerance
	Components spacing "A" (Lead to Lead)	Inside tape spacing "B"	
	± 0.5 mm (.020")	± 1.5 mm (.059")	
0 mm to 5 mm (0 to .197")	5.0 mm	52.4 mm	Not exceed 1.0 mm over 20 consecutive components
5.01 mm to 10 mm (.197" to .394")	10 mm	52.4 mm	Not exceed 1.0 mm over 10 consecutive components

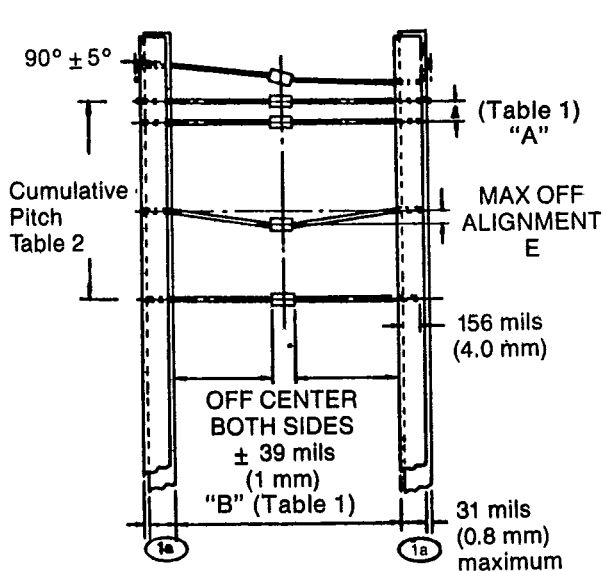


Figure 1

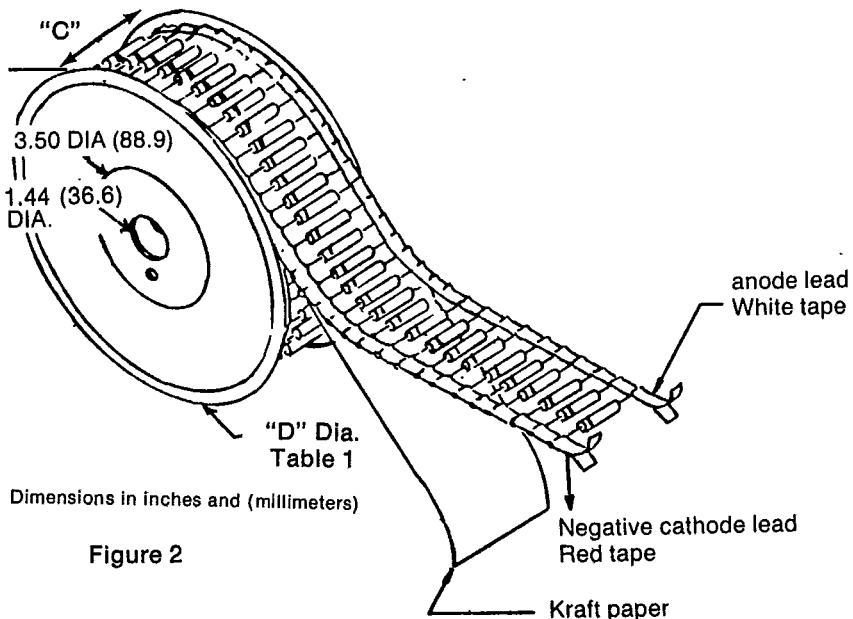


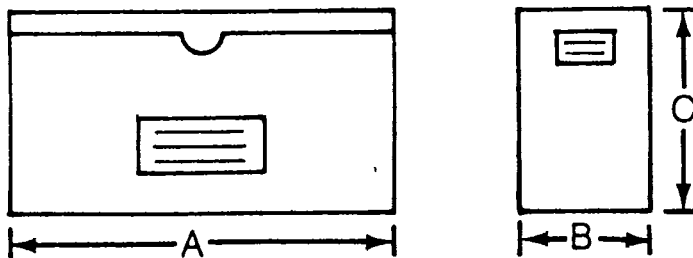
Figure 2

The C dimension of Fig. 2 is between .125" (3.175) and .250" (6.35) greater than the length of the component involved.

BULK PACKAGING

Component Case Type	Box Size		Quantity	Gross Weight	
	IN.	CM	EA	LBS.	KG.
GL34 Surface Mount	8 x 3.5 x 1	20.3 x 8.8 x 2.54	800	0.55	0.25
GL41 Surface Mount	8 x 3.5 x 1	20.3 x 8.8 x 2.54	4000	1.03	0.467
DO15	11.75 x 5.125 x 2.5	29.8 x 13.0 x 6.3	4000	3.85	1.75
DO201AD	11.75 x 5.125 x 2.5	29.8 x 13.0 x 6.3	1500	4.41	2.0
DO204AP	11.75 x 5.125 x 2.5	29.8 x 13.0 x 6.3	4000	3.75	1.7
DO204MB	11.75 x 5.125 x 2.5	29.8 x 13.0 x 6.3	5000	3.15	1.45
DO41/MPG06.	11.75 x 5.125 x 2.5	29.8 x 13.0 x 6.3	5000	2.38/2/20	1.08/1.0
G4/G3	11.75 x 5.125 x 2.5	29.8 x 13.0 x 6.3	3000/2000	5.07/5.29	2.3/2/4
GP20	11.75 x 5.125 x 2.5	29.8 x 13.0 x 6.3	1500	3.75	1.7
J, JTX1N483B, 1N645, 1N645-1	8 x 3.5 x 1	20.3 x 8.8 x 2.54	1000	.77	.35
J, JTX1N3611, 1N4245, 1N5614	8 x 3.5 x 1	20.3 x 8.8 x 2.54	500	.55	.25
J, JTX1N4942, 1N5615	8 x 3.5 x 1	20.3 x 8.8 x 2.54	500	.55	.25
J, JTX1N5415, 1N5550, 1N5807	12 x 3.6 x 2.5	30.4 x 9.1 x 6.3	1000	2.5	1.1
J, JTX1N5624	12 x 3.2 x 2.5	30.4 x 8.1 x 6.3	1000	2.5	1.1
P600	11.75 x 5.125 x 2.5	29.8 x 13.0 x 6.3	750	3.72	1.69
DF-M/DF-S Anti-Static Plastic Tubes	19.0 Length	48.2 Length	50	0.12	0.05
TO220CT Anti-Static Plastic Tubes	20.5 Length	52.0 Length	50	0.306	0.14
TO3P Anti-Static Plastic Tubes	20.5 Length	52.0 Length	30	0.572	0.26
KBPM/2KBPM Anti-Static Plastic Tubes	18.5 Length	47.0 Length	30	0.216	.098
AR,ARS Plastic Bags			200	0.84	0.38
WM Plastic Plastic Bags			100	0.37	0.17
GPP1, EFR1,35, SCH3, 5, Chip Tray	2.0 x 2.0 x .35	5.1 x 5.1 x 0.9	100	0.042	0.019
GPP5, EFR8, SCH 10 Chip Tray	2.0 x 2.0 x 3.5	5.1 x 5.1 x 0.9	100	0.044	0.020
SCH1 Chip Tray	2.0 x 2.0 x 3.5	5.1 x 5.1 x 0.9	400	0.042	0.019
GPP08,GPP12 Chip Tray	2.0 x 2.0 x 3.5	5.1 x 5.1 x 0.9	49	0.042	0.019
KBU4, 6, 8 . . Polyfoam Container	14.8 x 8.8 x 3.5	37.6 x 22.3 x 8.9	400	7.5	3.4
KBL Polyfoam Container	14.8 x 8.8 x 3.5	37.5 x 22.0 x 9.0	500	7.5	3.4
KPBC10 35W Polyfoam Container	10.4 x 8.7 x 7.1	26.6 x 22.0 x 18.0	100	6.5	2.95
BC	9.2 x 5.0 x 2.5	23.4 x 12.7 x 6.3	100	3.08	1.4
KBPC8	8.8 x 8.8 x 1.8	22.3 x 22.3 x 4.5	200	3.52	1.6
KBPC1, KBPC6	7.8 x 7.8 x 1.8	19.8 x 19.8 x 4.5	200	2.2	1.0
KBPC 10/35, 25SP PBC Tray	7.5 x 15.0 x 1.1	19.0 x 38.1 x 2.8	100	7.3	3.3

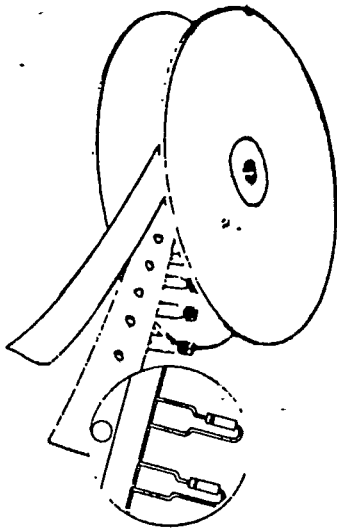
AMMO BOX PACKAGING



Packaging	Available Product Outlines	Packaging Codes	Dimension "A"	Dimension "B"	Dimension "C"	Quantity Box
26MM Horizontal Ammo Pack	DO-41 G1, GP15	PKG 3	9.7" (247MM)	1.7" (44MM)	3.7" (95MM)	3K 1.5K
52MM Horizontal Ammo Pack	G1, DO-41, DO15 DO201AD, G3, G4, GP20	PKG 23	10.0" (254MM)	3.1" (79MM)	4.3" (110MM)	3K 2K 1K
Vertical (Avisert, Euroform Panasert Ammo Pack	DO41, GP10-E, RGP10-E	PKG 8, 9, 12, 13, 16, 17, 20, 21, 41, 43	12.9" (328MM)	1.7" (42MM)	7.9" (200MM)	2K

PACKAGING METHODS FOR VERTICAL TAPING

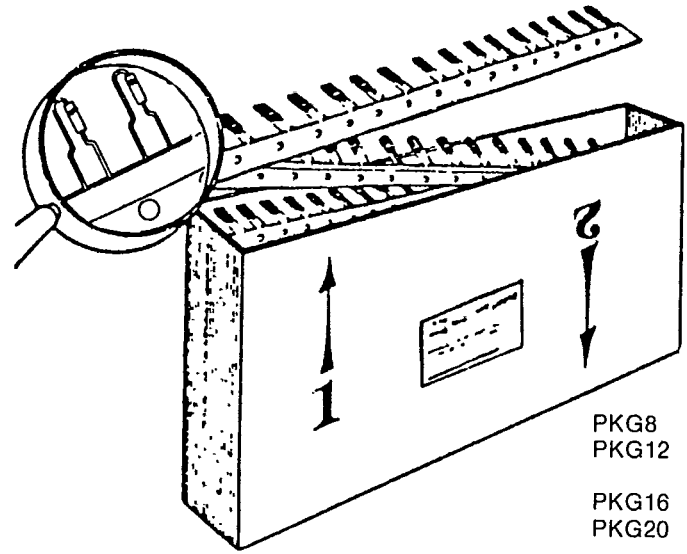
Avisert: PKG6 Panasert: PKG14 Euroform: PKG40
 PKG8 PKG16 PKG41
 PKG10 PKG18 PKG42
 PKG12 PKG20 PKG43



PKG6
PKG10

PKG14
PKG18

PKG40
PKG42



PKG8
PKG12

PKG16
PKG20

PKG41
PKG43

FIG. 1

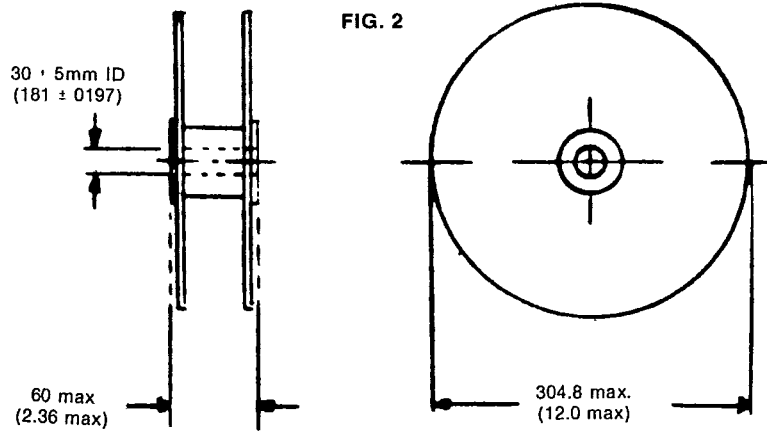


FIG. 2

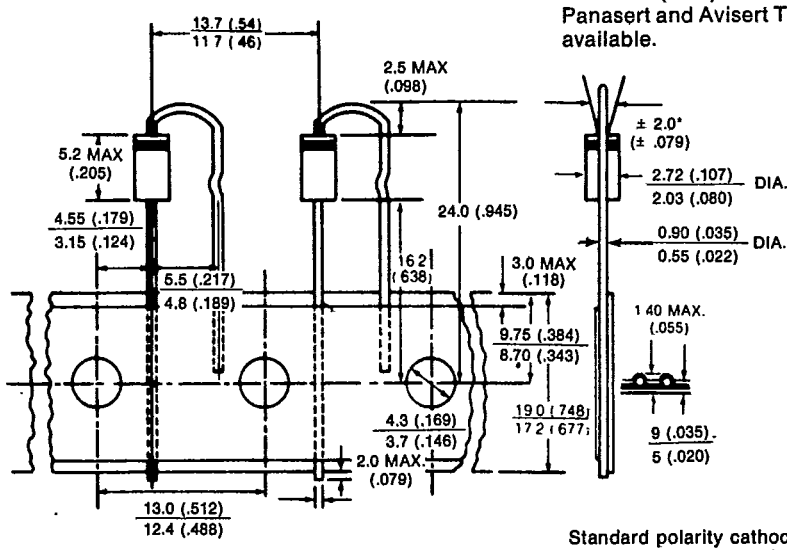
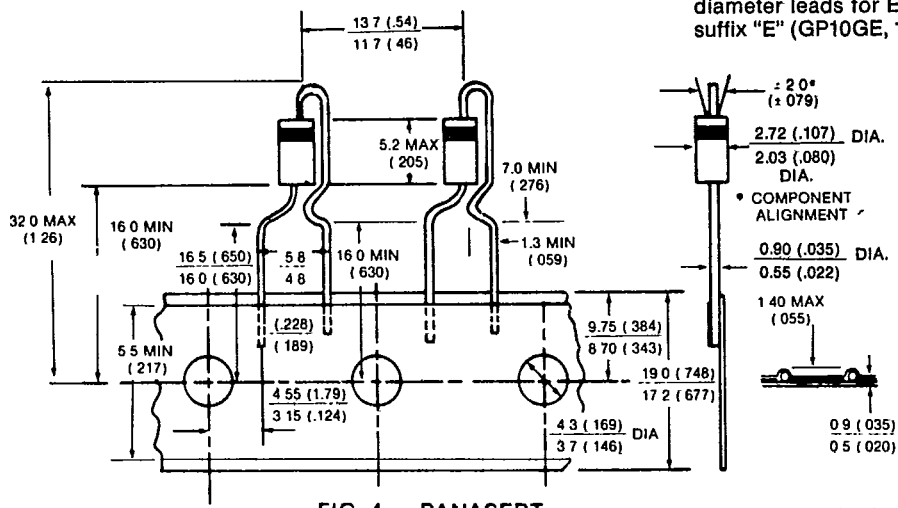
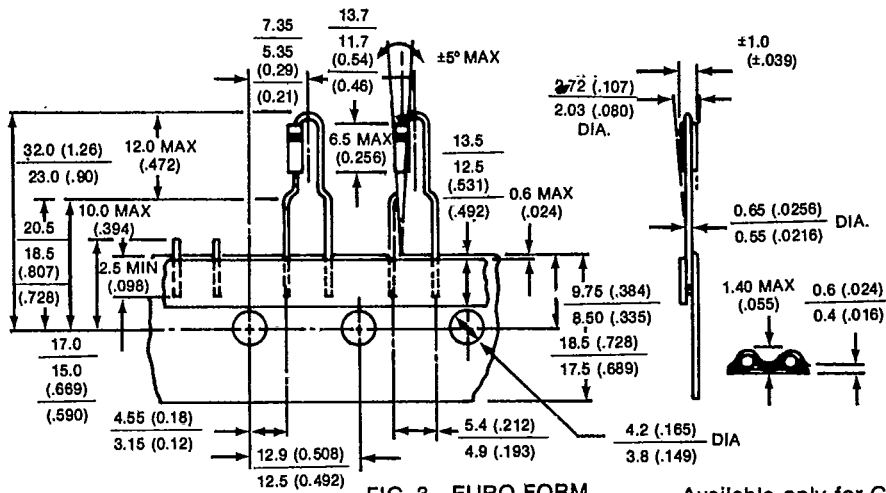
ALL DIMENSIONS
IN MILLIMETERS AND INCHES

Package per E1A JEDEC standard RS-468 Available on reels or fan fold box (ammo pack)

Available only for DO41 case style products utilizing 0.65mm (.025") or 0.76mm (.30") diameter leads for Panasert and Avisert Tape and Reeling.

Available only for GP10 products utilizing 0.65mm (.025") diameter leads for Euroform Tape and Reeling by adding suffix "E" (GP10GE, 1N4004GPE)

VERTICAL REEL PACKAGING

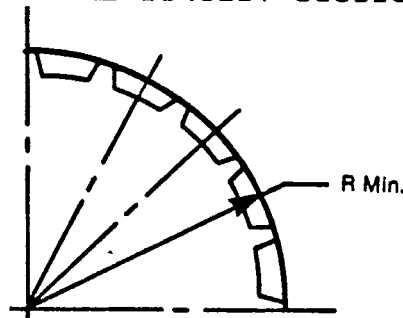
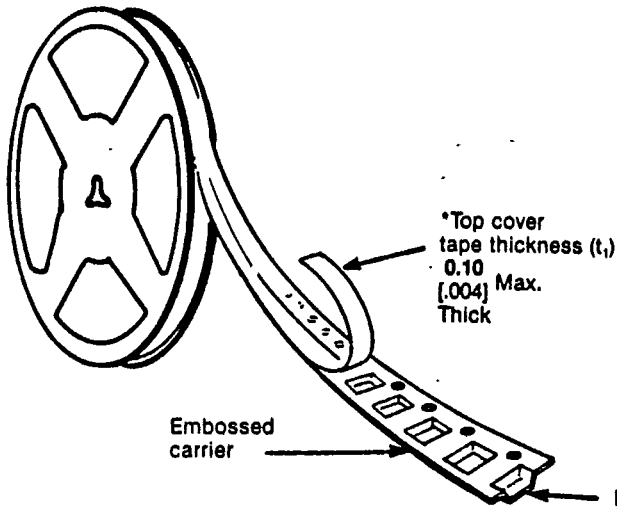


User Direction Feed

ALL DIMENSIONS IN MILLIMETERS AND (INCHES)

SURFACE MOUNT PACKAGING

Packed per EIA/JEDEC Standard RS-481



AVAILABLE
178 ± 20
(7 00 ± 079)
OR
330 max
(13 0 max)

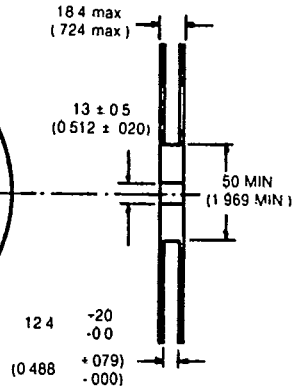
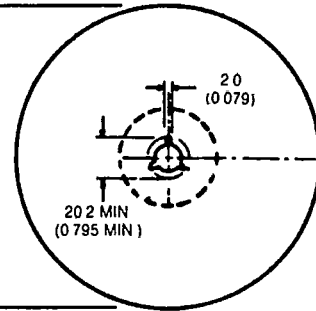


Table 1

8, 12, MM Embossed Tape

All Dimensions in Millimeters and (Inches)

Tape Size	D	E	P ₀	t	A ₀ B ₀ K ₀				
8, 12, MM	1.5 (.059)	1.75±0.10 (.069±.004)	4.0±.10 (.157 ±.004)	0.400 (.016)	See Note 1 Table 2				Constant Dimensions

Product Type	Tape Size	Max. B' ₁	Min. D' ₁	F	Max. K	P ²	Min. R	W	P	Variable Dimensions
GL34	8MM	4.2 (.165)	1.0 (.039)	3.5±0.05 (.138±.002)	2.4 (.094)	2.0±0.05 (.079±.002)	25 (.984)	8.0±.30 (.315±.012)	4.0±0.10 (.157±.004)	
GL41	12MM	8.2 (.323)	1.5 (.059)	5.5±0.05 (.217±.002)	4.5 (.177)		30 (1.181)	12.0±.30 (.472±.012)		

Notes:

1. A₀ B₀ K₀ are determined by component size. The clearance between the component and the cavity must be within 0.05 min. to 0.5 max. for 8MM tape and 0.05 min to 0.650 max. for 12 MM tape.

In addition the components cannot rotate more than 20° within the determined cavity.

2. Tape and components will pass around radius "R" without damage.

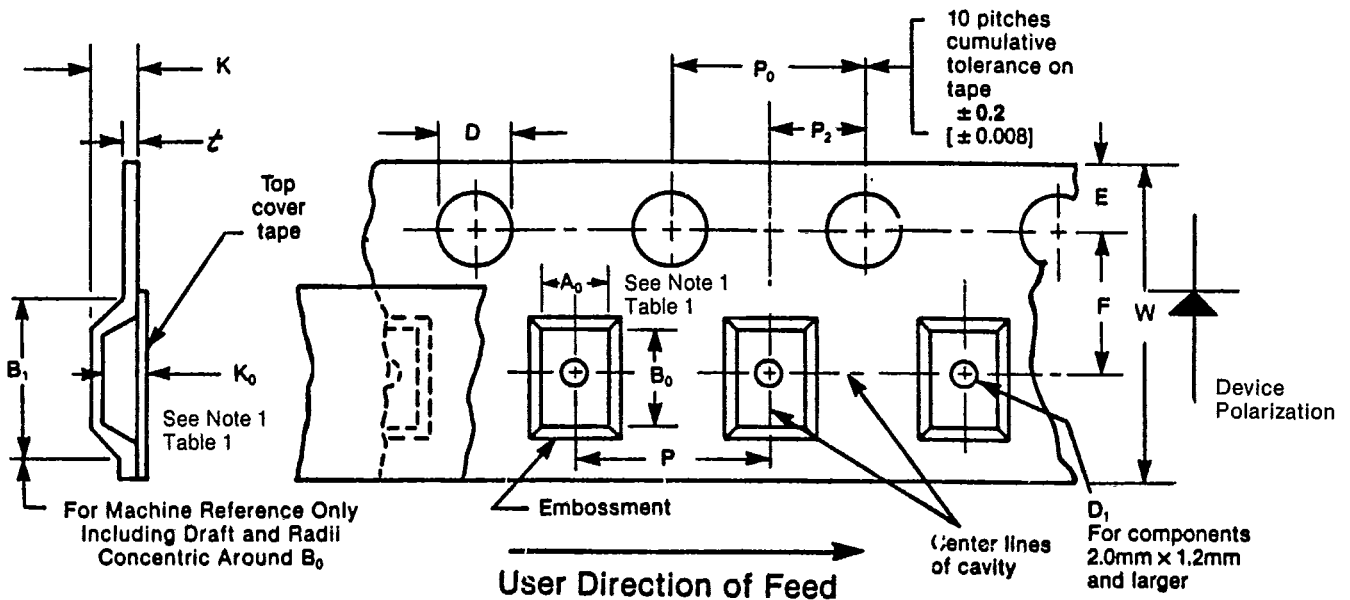


FIG. 6