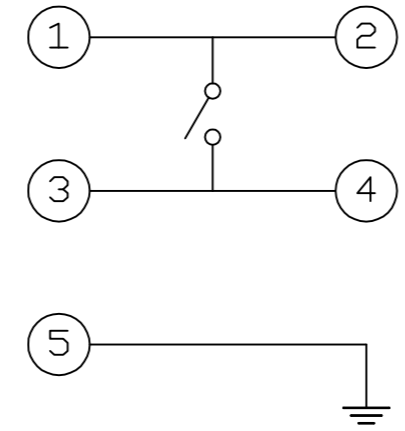
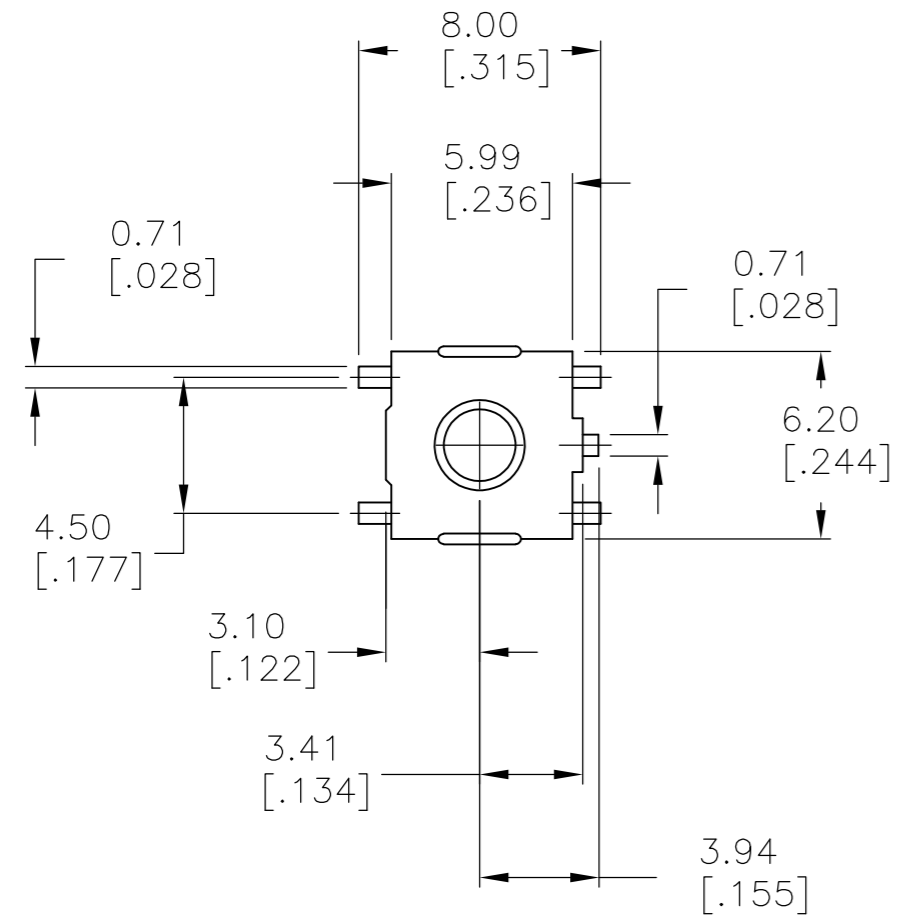
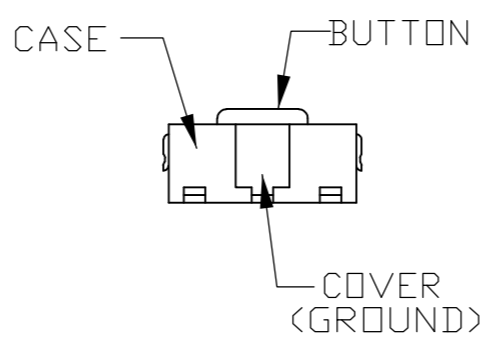
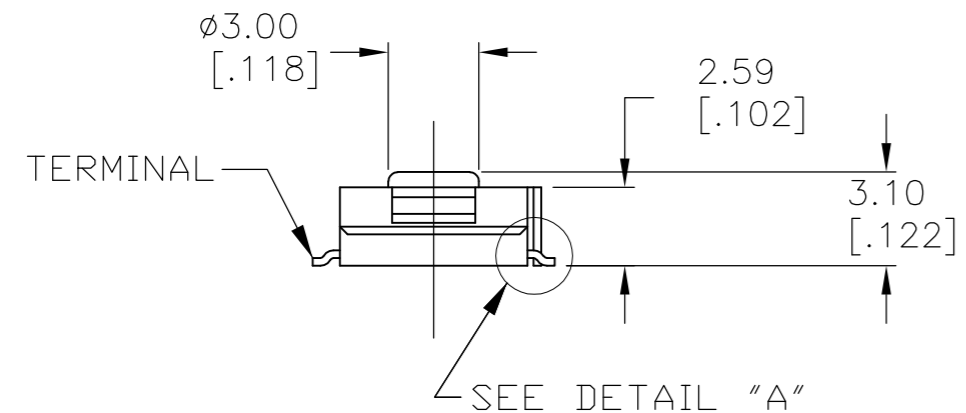


THIS DRAWING IS UNPUBLISHED. RELEASED FOR PUBLICATION
 © COPYRIGHT BY TYCO ELECTRONICS CORPORATION. ALL RIGHTS RESERVED.

LOC		DIST		REVISIONS			
AD	00	P	LTR	DESCRIPTION	DATE	DWN	APVD
		D1		ECO-07-019163	05NOV2007	RB	MS



CIRCUIT DIAGRAM



SPECIFICATIONS:

CASE: PPS, 94V0, BLACK.
 COVER: COPPER ALLOY-TIN PLATE.
 ACTUATOR BUTTON: SEE TABLE, COLOR:
 MOVING CONTACT: COPPER ALLOY, SILVER FINISH.
 FIXED CONTACT/TERMINAL: COPPER ALLOY, SILVER FINISH.

ELECTRICAL:
 MAX CONTACT RATING: 50MILLIAMPS@24V DC
 MIN CONTACT RATING: 10MICROAMPS@1V DC
 CONTACT RESISTANCE: 100 MILLIOHMS MAX.
 INSULATION RESISTANCE: 100 MEGOHMS MIN. @ 100 VDC.
 DIELECTRIC STRENGTH: 500 VAC 50/60 Hz FOR 1 MINUTE
 LIFE EXPECTANCY: 100,000 CYCLES.

MECHANICAL:
 ACTUATION FORCE: SEE CHART.
 ACTUATION TRAVEL: 0.25 +0.20/-0.10 [.010 +0.008/-0.004]

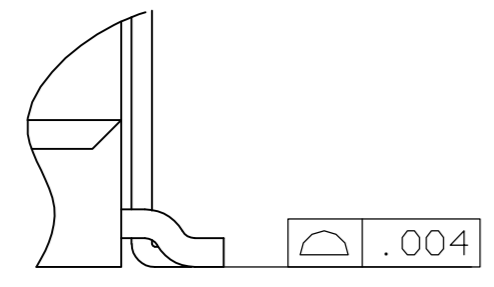
ENVIRONMENTAL:
 OPERATING TEMPERATURE: -35°C TO +85°C
 STORAGE TEMPERATURE: -35°C TO +85°C
 SOLDER HEAT RESISTANCE PER 109-201, COND B.

SOLDERABILITY:
 SPECIFICATION EIA-364-52, CLASS 1, CATEGORY 2

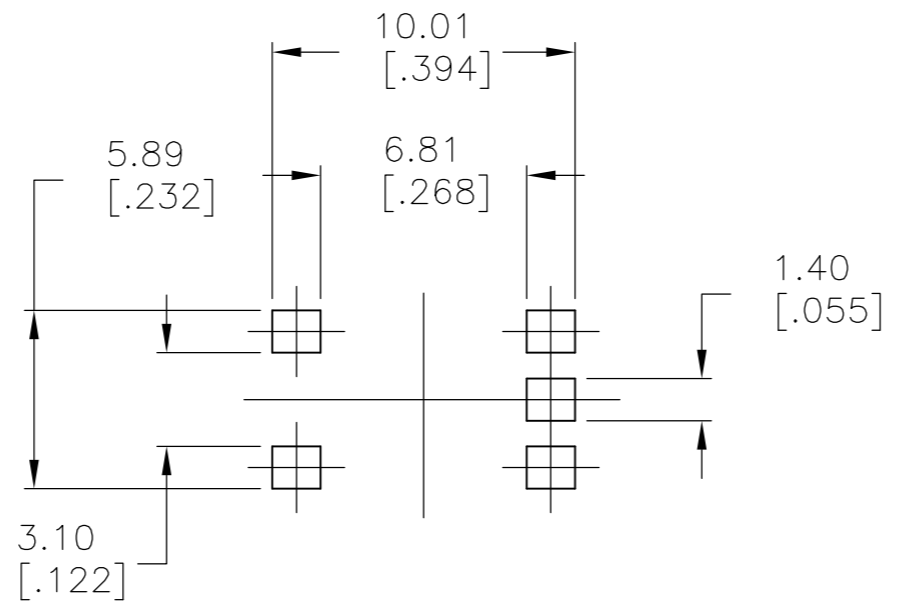
NOTES:

1. ALL MATERIALS AND FINISHES SHALL COMPLY WITH EU DIRECTIVE 2002/95/EC OF 27JAN2003 (ROHS)
2. TAPE AND REEL PACKAGING PER EIA-481

Datasheet.Live



DETAIL "A"
 SCALE 15:1



P.C.B. FOOTPRINT

PART NUMBER	PART NUMBER	ACTUATOR MATERIAL	ACTUATOR BUTTON COLOR	ACTUATION FORCE	PACKAGING
1-1437565-6	FSM1LP	PPA UL94HB	BLACK	160 ±50 gm.	BULK
1-1437565-9	FSM1LPTR	PPA UL94HB	BLACK	160 ±50 gm.	TAPE & REEL
1-1437565-7	FSM1LPA	PPS UL94V-0	BROWN	260 ±50 gm.	BULK
1-1437565-8	FSM1LPATR	PPS UL94V-0	BROWN	260 ±50 gm.	TAPE & REEL

THIS DRAWING IS A CONTROLLED DOCUMENT.		DWN	13MAR2007	Tyco Electronics Corporation Harrisburg, PA 17105-3608	
DIMENSIONS: mm [INCHES]		CHK	20MAR2007	TACTILE SWITCH FSM1LP	
TOLERANCES UNLESS OTHERWISE SPECIFIED:		APVD	20MAR2007	SIZE	CAGE CODE
0 PLC	± -	PRODUCT SPEC		A2	00779
1 PLC	± -	APPLICATION SPEC		SCALE	DRAWING NO
2 PLC	± 0.30[.012]			4:1	1-1437565-8
3 PLC	± -			SHEET	1 OF 1
4 PLC	± -			REV	D1
ANGLES	± -				
MATERIAL	FINISH	WEIGHT	-	CUSTOMER DRAWING	