

3M™ Headers, Sockets, and PCB Connectors



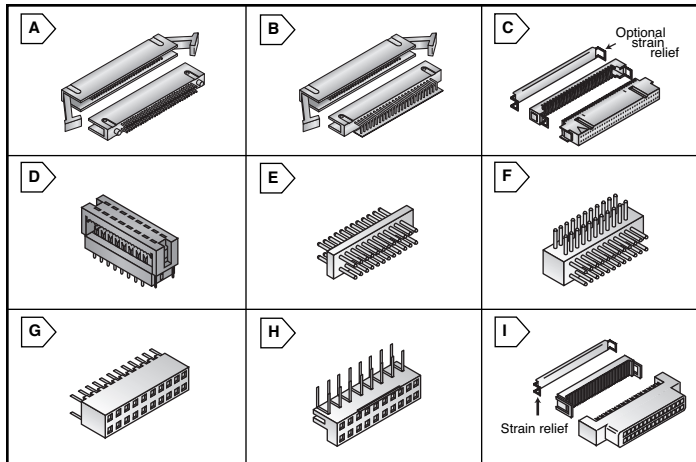
810 SERIES .050" X .100" TRIPOLARIZED, LATCH/EJECTOR HEADERS

Specifications:

- Latch and eject for rugged high performance applications
- Two-row solder tail design saves board space
- Four-wall shroud provides contact protection
- Insulation material: High temperature plastic (LCP), Ivory, UL 94V-0
- Temperature rating: -55°C to +105°C
- Plating: 30µ" Gold
- Current rating: 0.5A
- Withstanding voltage: 500 Vrms
- Contact material: Copper alloy



		For quantities of 200 and up, call for quote.							
MOUSER STOCK NO.	3M Part No.	Fig.	No. of Cont.	Body Width (In.)	Price Each				
					1	25	50	100	
Straight									
517-81020-620201	81020-620201	A	20	1.06	4.16	3.80	3.46	3.16	
517-81026-620201	81026-620201	A	26	1.21	5.28	4.83	4.39	4.01	
517-81036-620201	81036-620201	A	36	1.46	7.16	6.54	6.19	5.85	
517-81040-620201	81040-620201	A	40	1.56	7.90	7.22	6.57	6.00	
517-81060-620201	81060-620201	A	60	2.06	11.65	10.64	9.69	8.85	
517-81068-620201	81068-620201	A	68	2.26	13.15	12.01	10.93	9.99	
517-81080-620201	81080-620201	A	80	2.56	15.39	14.06	12.80	11.69	
517-81100-620201	81100-620201	A	100	3.06	19.14	17.48	15.92	14.54	
Right Angle									
517-81020-520203	81020-520203	B	20	1.06	4.37	3.99	3.63	3.32	
517-81026-520203	81026-520203	B	26	1.21	5.55	5.07	4.62	4.22	
517-81036-520203	81036-520203	B	36	1.46	7.53	6.88	6.52	6.15	
517-81040-520203	81040-520203	B	40	1.56	8.32	7.60	6.92	6.32	
517-81060-520203	81060-520203	B	60	2.06	12.27	11.21	10.21	9.32	
517-81068-520203	81068-520203	B	68	2.26	13.85	12.65	11.52	10.52	
517-81080-520203	81080-520203	B	80	2.56	16.22	14.82	13.49	12.32	
517-81100-520203	81100-520203	B	100	3.06	20.18	18.43	16.78	15.33	



2MM X 2MM PIN STRIP HEADERS AND BOARDMOUNT SOCKETS

Specifications:

- Industry standard compatible
- High temperature dielectric
- IR, vapor and wave solder compatible
- Current rating: 1.5A
- Withstand voltage: 500 Vdc
- Temperature rating: -55°C to +105°C
- End and side stackable
- Insulation material: Glass filled polyester (PCT)Black, UL 94V-0
- Contact material: Copper alloy
- Plating: 30µ" gold



1512 Series Pin Strip Headers

		For quantities of 200 and up, call for quote.							
MOUSER STOCK NO.	3M Part No.	Fig.	No. of Cont.	Price Each					
				1	25	50	100		
Straight									
517-151210-8322	151210-8322-TB	E	10	1.06	.97	.88	.81		
517-151212-8322	151212-8322-TB	E	12	1.16	1.06	.97	.88		
517-151220-8322	151220-8322-TB	E	20	1.56	1.43	1.30	1.19		
517-151226-8322	151226-8322-TB	E	26	1.89	1.73	1.57	1.44		
517-151230-8322	151230-8322-TB	E	30	2.06	1.88	1.71	1.56		
517-151240-8322	151240-8322-TB	E	40	2.45	2.24	2.04	1.86		
517-151250-8322	151250-8322-TB	E	50	2.91	2.66	2.42	2.21		
Right Angle									
517-151210-7422	151210-7422-TB	F	10	.71	.65	.59	.54		
517-151220-7422	151220-7422-TB	F	20	1.04	.95	.87	.79		
517-151226-7422	151226-7422-TB	F	26	1.27	1.16	1.06	.96		
517-151230-7422	151230-7422-TB	F	30	1.39	1.27	1.16	1.06		
517-151240-7422	151240-7422-TB	F	40	1.87	1.71	1.56	1.42		
517-151244-7422	151244-7422-TB	F	44	2.00	1.82	1.66	1.52		
517-151250-7422	151250-7422-TB	F	50	2.18	2.00	1.82	1.66		

1502 Series Boardmount Sockets

		For quantities of 200 and up, call for quote.							
MOUSER STOCK NO.	3M Part No.	Fig.	No. of Cont.	Price Each					
				1	25	50	100		
Straight									
517-150210-6002	150210-6002-TB	G	10	2.00	1.82	1.66	1.52		
517-150220-6002	150220-6002-TB	G	20	2.35	2.15	1.95	1.79		
517-150226-6002	150226-6002-TB	G	26	2.56	2.34	2.13	1.94		
517-150230-6002	150230-6002-TB	G	30	2.70	2.47	2.25	2.05		
517-150240-6002	150240-6002-TB	G	40	3.06	2.79	2.54	2.32		
517-150244-6002	150244-6002-TB	G	44	3.20	2.93	2.66	2.43		
517-150250-6002	150250-6002-TB	G	50	3.41	3.12	2.84	2.59		
Right Angle									
517-150210-5002	150210-5002-TB	H	10	5.41	4.94	4.50	4.11		
517-150220-5002	150220-5002-TB	H	20	5.87	5.36	4.88	4.46		
517-150230-5002	150230-5002-TB	H	30	6.30	5.76	5.24	4.79		
517-150240-5002	150240-5002-TB	H	40	6.76	6.18	5.62	5.14		
517-150244-5002	150244-5002-TB	H	44	6.91	6.31	5.74	5.25		
517-150250-5002	150250-5002-TB	H	50	7.18	6.56	5.97	5.45		

2MM X 2MM WIREMOUNT SOCKETS

Specifications:

- For 1mm Pitch Cable
- Preassembled open covers
- Insulation material: Glass filled polyester (PBT), Gray, UL94V-0
- Current rating: 1A
- Withstanding voltage: 500 Vrms
- RoHS compliant per 3M documentation
- Low Profile
- Contact material: Copper alloy
- Plating: 30µ" Gold
- Temperature rating: -55°C to +105°C
- Industry standard compatible



1522 Series

		For quantities of 200 and up, call for quote.							
MOUSER STOCK NO.	3M Part No.	Fig.	No. of Cont.	Price Each					
				1	25	50	100		
517-152210-0100	152210-0100-GB	I	10	3.14	2.87	2.61	2.39		
517-152212-0100	152212-0100-GB	I	12	3.18	2.91	2.65	2.42		
517-152220-0100	152220-0100-GB	I	20	3.47	3.17	2.89	2.64		
517-152226-0100	152226-0100-GB	I	26	4.18	3.82	3.48	3.18		
517-152240-0100	152240-0100-GB	I	40	4.37	3.99	3.78	3.57		
517-152244-0100	152244-0100-GB	I	44	4.49	4.10	3.74	3.41		
517-152250-0100	152250-0100-GB	I	50	4.58	4.18	3.81	3.48		
Strain Reliefs									
517-3448-152210	3448-152210	--	10	.33	.31	.29	.28		
517-3448-152212	3448-152212	--	12	.50	.46	.42	.38		
517-3448-152220	3448-152220	--	20	.33	.31	.29	.28		
517-3448-152226	3448-152226	--	26	.37	.36	.35	.34		
517-3448-152240	3448-152240	--	40	.37	.36	.35	.34		
517-3448-152244	3448-152244	--	44	.33	.30	.29	.27		
517-3448-152250	3448-152250	--	50	.33	.30	.29	.27		

3M Rectangular Connectors

8200 SERIES .050" X .100" TRIPOLARIZED WIREMOUNT SOCKETS

Specifications:

- Hill-n-dale design provides a high performance IDC termination
- Insert-molded copper alloy contacts for superior strength and reliability
- Insulation material: Glass filled polyester (PBT), Gray, UL 94V-0
- Temperature rating: -55°C to +105°C
- Metal cover latch
- Plating: 30µ" Gold
- Current rating: 0.5A
- Withstand voltage: 500Vrms



		For quantities of 200 and up, call for quote.							
MOUSER STOCK NO.	3M Part No.	Fig.	No. of Cont.	Body Width (In.)	Price Each				
					1	25	50	100	
Sockets - Strain Relief Included									
517-82020-6006	82020-6006	C	20	0.755	5.99	5.47	4.98	4.55	
517-82026-6006	82026-6006	C	26	0.905	7.03	6.42	5.85	5.34	
517-82036-6006	82036-6006	C	36	1.155	8.69	7.94	7.23	6.60	
517-82040-6006	82040-6006	C	40	1.255	9.38	8.57	7.80	7.13	
517-82050-6006	82050-6006	C	50	1.505	11.04	10.09	9.19	8.39	
517-82060-6006	82060-6006	C	60	1.755	12.71	11.61	10.57	9.65	
517-82068-6006	82068-6006	C	68	1.955	14.06	12.84	11.69	10.68	
517-82080-6006	82080-6006	C	80	2.255	16.10	14.71	13.39	12.23	
517-82100-6006	82100-6006	C	100	2.755	19.47	17.78	16.19	14.79	
Sockets - Strain Relief Not Included (order separately)									
517-82020-6000	82020-6000	C	20	0.755	5.45	4.98	4.53	4.14	
517-82026-6000	82026-6000	C	26	0.905	6.49	5.93	5.40	4.93	
517-82036-6000	82036-6000	C	36	1.155	8.13	7.43	6.76	6.18	
517-82040-6000	82040-6000	C	40	1.255	8.80	8.04	7.32	6.68	
517-82060-6000	82060-6000	C	60	1.755	12.11	11.06	10.07	9.20	
517-82068-6000	82068-6000	C	68	1.955	13.44	12.27	11.63	10.98	
517-82080-6000	82080-6000	C	80	2.255	15.48	14.14	12.87	11.76	
517-82100-6000	82100-6000	C	100	2.755	18.80	17.18	15.64	14.28	

Optional Strain Reliefs

		For quantities of 2000 and up, call for quote.							
MOUSER STOCK NO.	3M Part No.	Description	Price Each						
			1	100	500	1000			
517-3858-020	3858-020	20P strain relief	.58	.53	.50	.48			
517-3858-026	3858-026	26P strain relief	.58	.53	.50	.48			
517-3858-036	3858-036	36P strain relief	.58	.53	.50	.48			
517-3858-040	3858-040	40P strain relief	.58	.53	.50	.48			
517-3858-060	3858-060	60P strain relief	.58	.53	.50	.48			
517-3858-068	3858-068	68P strain relief	.58	.53	.50	.48			
517-3858-080	3858-080	80P strain relief	.58	.53	.50	.48			
517-3858-100	3858-100	100P strain relief	.58	.53	.50	.48			

994 SERIES .100" X .100" 2 ROW PCB CONNECTORS