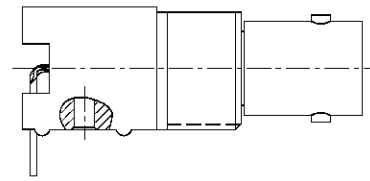
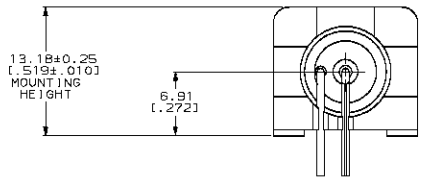
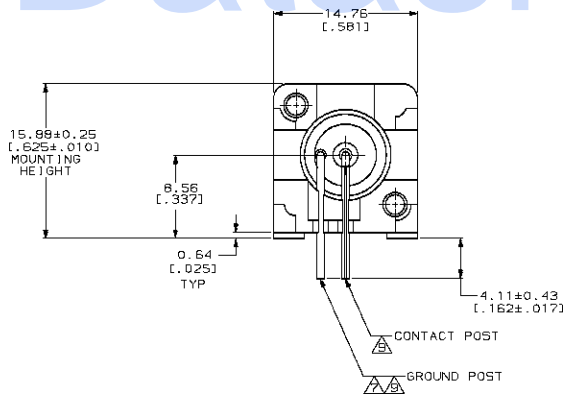


DRAWING MADE IN THIRD ANGLE PROJECTION
 THIS DRAWING IS UNPUBLISHED. RELEASED FOR PUBLICATION
 © COPYRIGHT 19 BY AMP INCORPORATED. ALL INTERNATIONAL RIGHTS RESERVED.

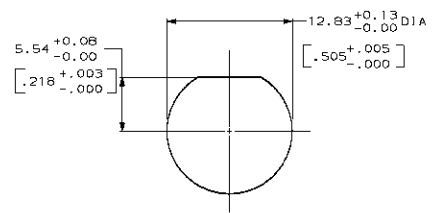
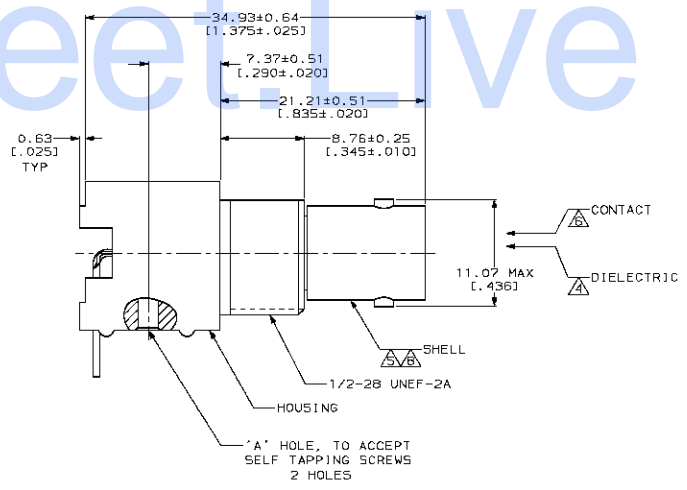
LOC	REV	DATE	DESCRIPTION	DATE	APPD
AJ	16		REV PER 0E10-0048-99	10JUN98	MO



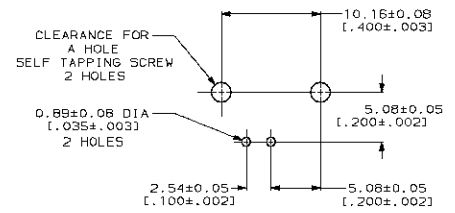
VIEW B
 (SAME AS VIEW A EXCEPT AS SHOWN)



VIEW A



RECOMMENDED PANEL CUTOUT



PCB CONFIGURATION

- ▲ POLYESTER PBT PER MIL-M-24519, TYPE GPT-15F, UL94V-0 RATED, COLOR:NATURAL
- ▲ POLYESTER PBT PER MIL-M-24519, TYPE GPT-15F, UL94V-0 RATED, COLOR:BLACK
- ▲ POLYESTER PBT PER MIL-M-24519, TYPE GPT-15F, UL94V-0 RATED, COLOR:BLUE
- ▲ POLYMETHYLPENTENE, GENERAL PURPOSE.
- ▲ ZINC PER QQ-Z-363.
- ▲ PHOSPHOR BRONZE PER QQ-B-750.
- ▲ BRASS PER ASTM-B-453.
- ▲ NICKEL PLATE PER QQ-N-290, 3.81 μm [0.00150] MINIMUM THICK.
- ▲ TIN-LEAD PLATE PER MIL-P-81728, 3.81 μm [0.00150] MINIMUM THICK.
- ▲ GOLD PLATE PER MIL-G-45204, 0.76 μm [0.00030] MINIMUM THICK.
- ▲ SILVER PLATE PER QQ-S-365, 2.54 μm [0.00100] MINIMUM THICK.
- 12. SEE INSTRUCTION SHEET 2769.

SUPERSEDED BY 226990-7	B	M2.6	▲	▲	226990-8
	B	#2-56	▲	▲	226990-7
	A	#2-56	▲	▲	226990-6
SUPERSEDED BY 226990-3	A	#2-56	▲	▲	226990-5
SUPERSEDED BY 226990-6	A	#2-56	▲	▲	226990-4
	A	#2-56	▲	▲	226990-3
	A	#2-56	▲	▲	226990-2
	A	#2-56	▲	▲	226990-1
VIEW	A HOLE	CONTACT PLATING	HOUSING MATERIAL	PART NUMBER	

DO NOT SCALE PRINT. UNLESS SPECIFIED DIMENSIONS IN mm (INCHES) TOLERANCES ON:		DR 04-30-91 B.50011		PART NO	
1 THRU 7		CHE 0-6-91 2. LIPPERT		AMP AMP Incorporated Harrisburg, PA 17105-3608	
8 THRU 11		APRD 0-6-91 A. GABANY		NAME	
FINISH		APPD 0-6-91 J. LIPPERT		JACK, PANEL, RIGHT ANGLE, 50 OHM, PCB, SERIES BNC	
HEIGHT		PRODUCT SPEC 10B-1207B		SIZE CAGE CODE DRAWING NO	
				D 00779 226990	
				SCALE 4:1 SHEET 1 OF 1	