

HONGFA RELAY



SUBMINIATURE POWER RELAY

Single-Pole, PC Board

JQC-3FG



- UL & CUR file No.: E160454
- TÜV file No.: R9452527
- 15A,10A switching capabilities
- SPST-NO and SPDT configurations
- Subminiature, standard PCB layout, low cost

CONTACT DATA

| | | |
|---|---|-------------------------------|
| Arrangement | SPST-NO, | SPDT |
| Initial Contact Resistance Max. (at 1A 6VDC) | 100mΩ | |
| Contact Material | AgSnO type | Silver alloy type |
| Contact Rating (Res. Load) | 10A 250VAC | 7A 250VAC |
| Max. switching voltage | 250VAC/24VDC | |
| Max. switching current | 15A | |
| Max. switching power | 2500VA | 1750VA |
| UL/CUR rating | 15A 120VAC/24VDC 10A 250VAC | 10A 120VAC/24VDC 7A 250VAC |
| TÜV rating | Silver alloy type:10A 120VAC/24VDC 7A 250VAC | |
| Expected Life min. operations | Mechanical | 1X10 ⁷ |
| | Electrical | 1X10 ⁵ |
| COIL | | |
| Nominal coil power | 0.36W (48V:0.51W) | |

SPECIFICATION

| | | |
|---|---------------------|----------------------|
| Initial Insulation Resistance | 100MΩ, 500VDC | |
| Dielectric Strength | 1500VAC,1minute | |
| Between coil and Contacts | 750VAC,1minute | |
| Between open contacts | 5,000VAC | |
| Surge Voltage between Contacts and coil | 10ms | |
| Operate time (at nomi. Vot.) | 5ms | |
| Release time (at nomi. Vot.) | -40 to +70°C | |
| Ambient temperature | 35 to 85% | |
| Humidity | Shock | Functional |
| | Resistance | Destructive |
| | | 100m/s ² |
| | | 1000m/s ² |
| Vibration Resistance | 1.5mm, 10 to 55Hz | |
| Termination | PCB | |
| Unit weight | Approx. 10g | |
| Construction | Sealed and Unsealed | |

TABLE

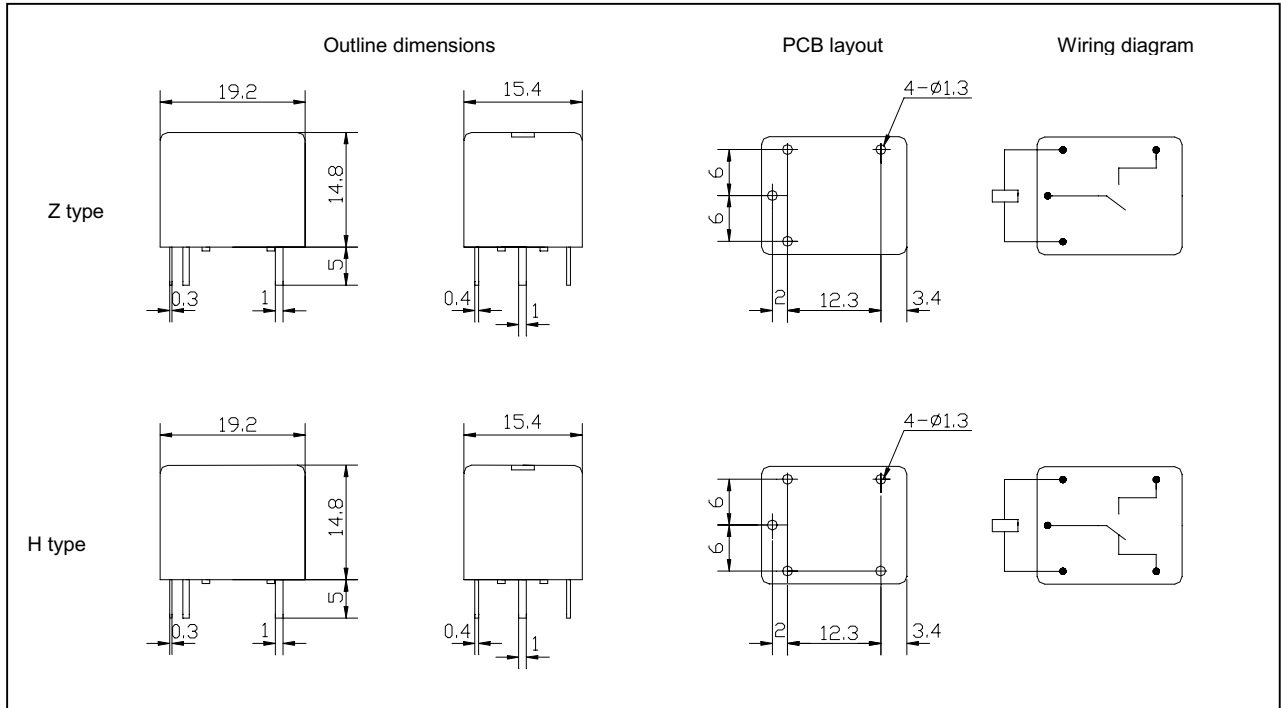
| Nominal Voltage VDC | Pick-up Voltage VDC | Drop-out Voltage VDC | Max. Allowable Voltage VDC (at 20 °C) | Coil Resistance ±10% Ω |
|---------------------|---------------------|----------------------|---------------------------------------|------------------------|
| 5 | 3.75 | 0.5 | 6.5 | 70 |
| 6 | 4.50 | 0.6 | 7.8 | 100 |
| 9 | 6.75 | 0.9 | 11.7 | 225 |
| 12 | 9.00 | 1.2 | 15.6 | 400 |
| 18 | 13.5 | 1.8 | 23.4 | 900 |
| 24 | 18.0 | 2.4 | 31.2 | 1600 |
| 48 | 36.0 | 4.8 | 62.4 | 4500 |

■ ORDERING INFORMATION

JQC-3FG — 012 — H S T

| Coil voltage | Contact arrangement | Classification of type | Contact Material |
|--------------------------|-----------------------|----------------------------|-------------------------------|
| 5,6,9,12,18, 24,48VDC | H: SPST-NO Z: SPDT | S: Sealed Nil: Unsealed | T: AgSnO Nil: Silver alloy |

■ OUTLINE DIMENSIONS , WIRING DIAGRAM AND PC BOARD LAYOUT



■ USEFUL CURVES

