

3M™ Sockets and Headers



This page of product is RoHS compliant.



950 SERIES 2MM X 2MM BOARDMOUNT SOCKETS

Features:

- Maximizes use of PC board space
- High temperature dielectric
- "No lead" wave and reflow solder compatible
- Minimized PC Board stacking heights
- Mates with pin-strip header products
- Plating 10µ Gold
- RoHS compliant per 3M documentation

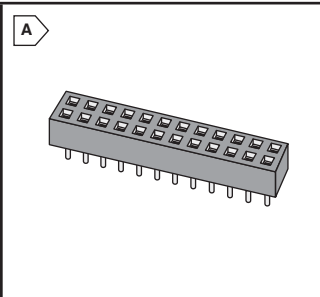
Specifications:

- Insulation Material: High Temperature Thermoplastic, UL94V-0
- Contact Material: Copper Alloy
- Color: Black
- Current Rating: 1A



For quantities greater than listed, call for quote.

MOUSER STOCK NO.	3M Part No.	Fig.	No. of Contacts	Mounting Style	Price Each			
					1	25	50	100
517-950408-6102-AR	950408-6102-AR	A	8	Straight	1.90	1.65	1.56	1.49
517-950410-6102-AR	950410-6102-AR	A	10	Straight	2.04	1.76	1.67	1.60
517-950412-6102-AR	950412-6102-AR	A	12	Straight	2.15	1.86	1.76	1.68
517-950420-6102-AR	950420-6102-AR	A	20	Straight	2.65	2.38	2.22	2.12



951 SERIES PIN STRIP HEADERS

Features:

- Maximizes use of PC board space
- High temperature dielectric
- End stackable feature
- Mates with boardmount and wiremount products

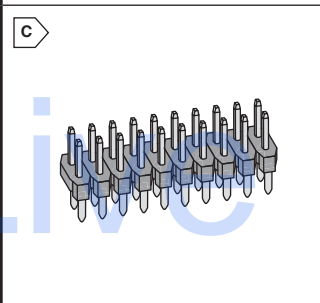
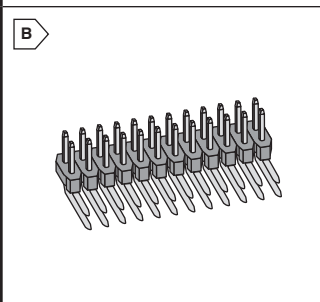
Specifications:

- Insulation Material: High Temp, Thermoplastic, UL94V-0
- Contact Material: Copper Alloy
- Color: Black
- Current Rating: 1A
- Plating 10µ Gold



For quantities greater than listed, call for quote.

MOUSER STOCK NO.	3M Part No.	Fig.	No. of Contacts	Mounting Style	Price Each			
					1	25	50	100
517-951204-7622-AR	951204-7622-AR	B	4	Right Angle	.58	.486	.432	.414
517-951210-7622-AR	951210-7622-AR	B	10	Right Angle	.94	.792	.759	.726
517-951220-7622-AR	951220-7622-AR	B	20	Right Angle	1.68	1.44	1.38	1.32
517-951280-7622-AR	951280-7622-AR	B	80	Right Angle	6.34	5.56	5.32	5.08
517-951208-8622-AR	951208-8622-AR	C	8	Straight	.64	.54	.48	.46
517-951210-8622-AR	951210-8622-AR	C	10	Straight	.75	.624	.598	.572
517-951280-8622-AR	951280-8622-AR	C	80	Straight	5.25	4.62	4.42	4.22



957 SERIES 2MM X 2MM BOX HEADERS

Features:

- High temperature dielectric
- "No lead" wave and reflow solder compatible
- Maximizes use of PC board space
- Center slot polarization prevents mis-insertion and reduces insertion time
- RoHS compliant per 3M documentation

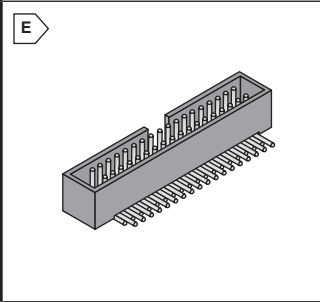
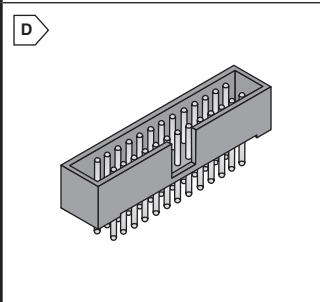
Specifications:

- Insulation Material: High Temp, Thermoplastic, UL94V-0
- Contact Material: Copper Alloy
- Color: Black
- Current Rating: 1A
- Plating 10µ Gold



For quantities greater than listed, call for quote.

MOUSER STOCK NO.	3M Part No.	Fig.	No. of Contacts	Mounting Style	Price Each			
					1	25	50	100
517-957210-6002-AR	957210-6002-AR	D	10	Straight	2.10	2.00	1.90	1.82
517-957244-6002-AR	957244-6002-AR	D	44	Straight	5.03	4.53	4.22	4.02
517-957250-6002-AR	957250-6002-AR	D	50	Straight	5.72	5.15	4.80	4.58
517-957210-5002-AR	957210-5002-AR	E	10	Right Angle	2.58	2.22	2.11	2.02



8200 SERIES .050" X .100" TRI-POLARIZED MINI WIREMOUNT SOCKETS WITH STRAIN RELIEF

For .025" Pitch Cable

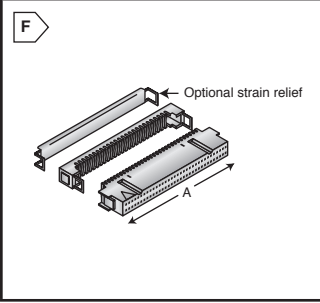
Specifications:

- Hill-n-dale design provides a high performance IDC termination
- Insert-molded copper alloy contacts for superior strength and reliability
- Insulation material: Glass filled polyester (PBT), Gray, UL94V-0
- Temperature rating: -55°C to +105°C
- Metal cover latch
- Plating: Tin-lead
- Current rating: 0.5A
- Withstand voltage: 500Vrms



For quantities greater than listed, call for quote.

MOUSER STOCK NO.	3M Part No.	Fig.	No. of Positions	Dimension "A" mm (in.)	Price Each			
					1	25	50	100
517-82020-6006	82020-6006	F	20	19.18 (0.755)	9.57	8.31	7.95	7.49
517-82040-6006	82040-6006	F	40	31.88 (1.255)	12.96	11.75	11.18	10.90
517-82050-6006	82050-6006	F	50	38.23 (1.505)	15.23	13.76	13.20	12.79



3M Rectangular Connectors