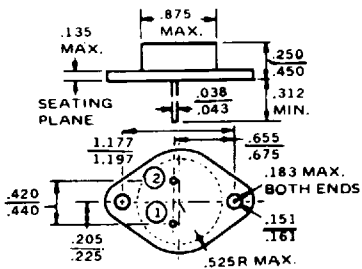


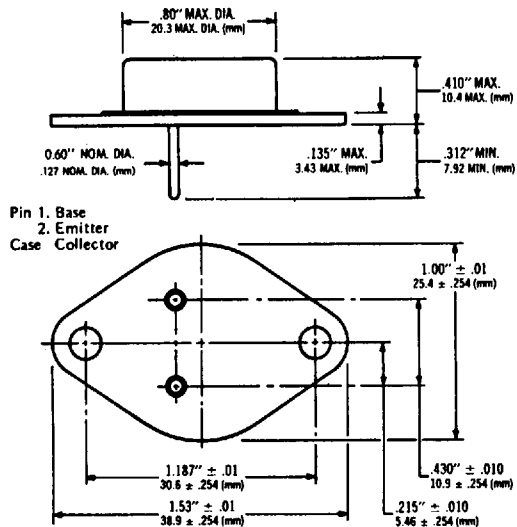
DEVICE TYPE NO.	POLARITY	P ₀ @ T _c =25°C		MAXIMUM RATINGS			ELECTRICAL CHARACTERISTICS				CASE
		WATTS	I _c AMPS	BV _{CB0}	BV _{CE}	BV _{EBO}	h _{FE} MIN.	I _c AMPS	V _{CE}	f MHZ *KHZ	
2N3713	NPN	150	10.0	80	60	7	25	.001	2	*30	T03
2N3714	NPN	150	10.0	100	80	7	25	.001	2	*30	T03
2N3715	NPN	150	10.0	80	60	7	50	1.00	2	*30	T03
2N3716	NPN	150	10.0	100	80	7	50	1.00	2	*30	T03
2N3734	NPN	1.00	1.50	50	30	5	30	1.00	1.5	300	T039
2N3735	NPN	1.00	1.50	75	50	5	20	1.00	1.5	250	T039
2N3740	PNP	25.0	1.00	60	60	7	30	.250	1	4	T066
2N3741	PNP	25.0	1.00	80	80	7	30	.250	1	4	T066
2N3742	NPN	1.00	.050	300	300	7	20	.030	10	30	T039
2N3743	PNP	1.00	.050	300	300	7	25	.030	10	30	T039
2N3762	PNP	1.00	1.50	40	40	5	30	1.00	1.5	180	T039
2N3763	PNP	1.00	1.50	60	60	5	20	1.00	1.5	150	T039
2N3766	NPN	20.0	1.00	80	60	6	40	.500	10	10	T066
2N3767	NPN	20.0	1.00	100	80	6	40	.500	10	10	T066
2N3771	NPN	150	30.0	50	40	5	15	.002	4	*200	T03
2N3772	NPN	150	20.0	100	60	7	10	.005	4	*200	T03
2N3773	NPN	150	30.0	160	140	7	15	8.00	4	*200	T03
2N3778	PNP	5.00	1.00	40	40	8	10	2.00	2	1	T039
2N3788	NPN	100	2.00	400	325	5	20	.005	5	*50	T03
2N3789	PNP	150	10.0	60	60	7	25	1.00	2	*30	T03
2N3790	PNP	150	10.0	80	80	7	25	1.00	2	*30	T03
2N3791	PNP	150	10.0	80	60	7	25	1.00	2	*30	T03
2N3792	PNP	150	10.0	80	80	7	50	1.00	2	*30	T03
2N3799	PNP	.350	.050	60	60	5	250	.010	5	100	T018
2N3830	NPN	1.00	1.20	80	50	5	30	5.00	1	200	T039
2N3831	NPN	1.00	1.20	70	40	5	35	5.00	1	200	T039
2N3839	NPN	.200	.040	30	15	2.5	30	.003	1	2000	T072
2N3863	NPN	117	7.50	70	50	7	30	3.00	2	*500	T03
2N3864	NPN	117	7.50	110	90	7	30	3.00	2	*500	T03
2N3865	NPN	117	7.50	160	150	7	30	3.00	2	*500	T03
2N3866	NPN	5.00	.400	55	30	3.5	10	.050	5	500	T039
2N3878	NPN	35.0	4.00	120	50	7	50	.500	5	40	T066
2N3879	NPN	35.0	7.00	120	75	7	12	4.00	2	40	T066
2N3880	NPN	.200	.030	30	15	2.5	50	.003	6	1200	T072
2N3902	NPN	100	3.5A	700	400	5	30	1.00	5	2.8	T03
2N3917	NPN	20.0	2.00	80	40	6	30	1.00	4	50	T03
2N3923	NPN	.800	.100	150	150	6	20	.025	10	40	T039
2N3931	PNP	.700	.100	180	180	6	100	.001	10	40	T039
2N3932	NPN	.200	.030	30	20	2.5	50	.002	8	750	T072
2N3933	NPN	.200	.030	40	30	2.5	60	.002	8	750	T072
2N3948	NPN	5.00	.400	36	20	3.5	15	.050	5	700	T039
2N3963	PNP	.360	.200	80	80	6	100	.001	5	40	T018
2N3964	PNP	.360	.200	45	45	6	250	.001	5	50	T018
2N3965	PNP	.360	.200	60	60	6	250	.001	5	50	T018
2N4000	NPN	1.00	1.00	100	80	8	30	.500	2	40	T039
2N4001	NPN	1.00	1.00	120	100	8	40	.500	2	40	T039
2N4030	PNP	.800	1.00	60	60	5	30	.100	5	100	T039
2N4031	PNP	.800	1.00	80	80	5	30	.100	5	100	T039
2N4032	PNP	.800	1.00	60	60	5	75	.100	5	150	T039
2N4033	PNP	.800	1.00	80	80	5	75	.100	5	150	T039
2N4036	PNP	.700	1.00	90	65	7	20	.150	2	60	T039
2N4037	PNP	1.00	1.00	60	40	7	50	.150	10	60	T039
2N4046	NPN	.800	.500	50	30	6	40	.100	1	250	T039
2N4047	NPN	.800	.500	80	50	6	40	.100	1	250	T039
2N4070	NPN	65.0	10.0	120	100	8	40	5.00	5	20	T03
2N4080	PNP	.300	.050	20	15	3	20	.003	1	1000	T072
2N4121	PNP	.200	.100	40	40	5	50	.001	10	400	T0106
2N4122	PNP	.200	.100	40	40	5	150	.001	10	450	T0106
2N4134	NPN	.200	.030	30	30	3	25	.004	5	350	T072
2N4135	NPN	.200	.030	30	30	3	25	.004	5	425	T072
2N4137	NPN	.360	.200	40	40	4.5	40	.010	.35	500	T018
2N4140	NPN	.300	.200	60	30	5	40	.150	10	250	T0106
2N4141	NPN	.300	.200	60	30	5	100	.150	10	250	T0106

TO3

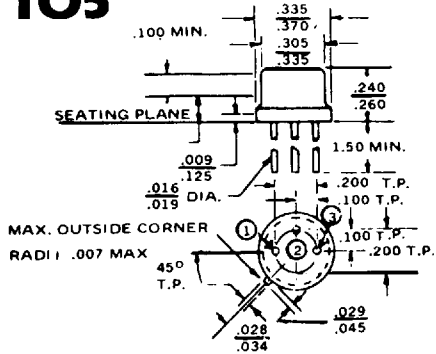


TO3-MOD

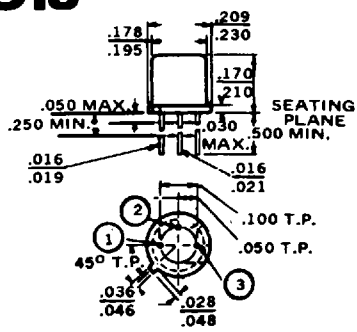
Case TO3 MODIFIED (.050" Pin Dia.)



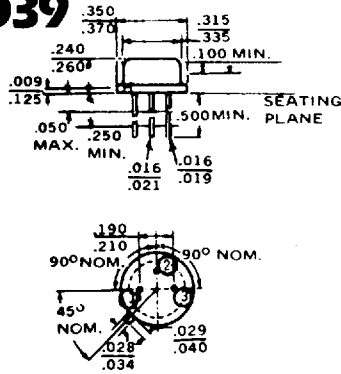
TO5



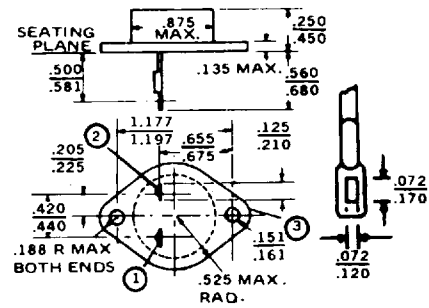
TO18



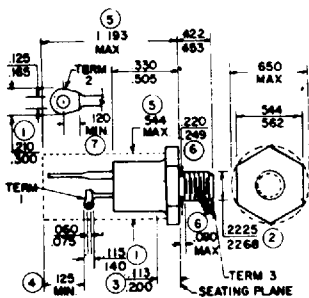
TO39



TO41



TO48



TO61

