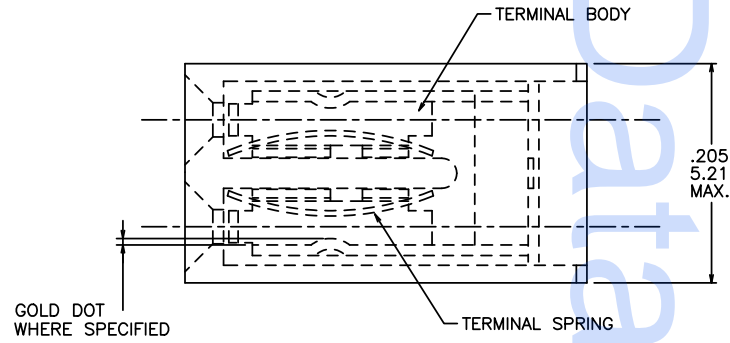
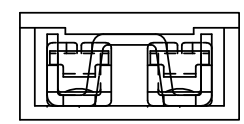
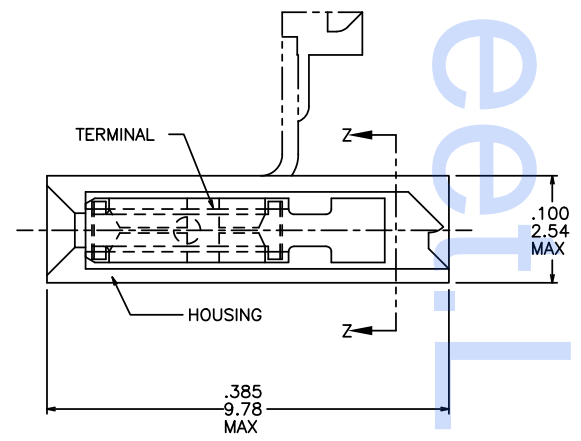
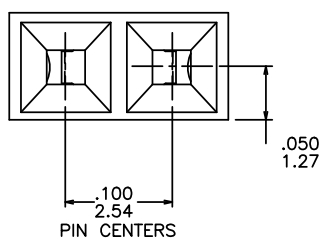


1 | 2 | 3 | 4 | 5 | 6



NOTES:

- ① HOUSING MATERIAL IS FLAME RETARDANT PER UL 94V-0 OR EQUIV.
- ② PRODUCT NUMBER 65474-810 TO BE MARKED "BERG" CAGE 22526, DESC XXXXX-XX (NO. TO BE ASSIGNED), AND DATE ON PACKAGING LABEL.
- ③ ADD "LF" SUFFIX AT THE END OF PART NUMBER FOR LEAD FREE OPTION.
- ④ THESE PRODUCTS MEET EUROPEAN UNION DIRECTIVES AND OTHER COUNTRY REGULATIONS AS DESCRIBED IN GS-22-008.
- ⑤ THE PRODUCT IS NOT INTENDED TO BE EXPOSED TO A MANUFACTURING SOLDER PROCESS.
- ⑥ "THIS PRODUCT HAS 100% TIN PLATING IN THE INTERFACE AND HAS NOT BEEN TESTED FOR WHISKERS GROWTH IN ALL INTERCONNECT ENVIRONMENTS."



SECTION ZZ

mat'l. code		surface ISO 1302		tolerance ISO 406 ISO 1101		projection INCH/MM		product family JUMPER	
l'tecn n'dr		date		tolerances unless otherwise specified		scale 6:1		title MINI-JUMP ASSEMBLY .100/2.54cc	
P	V41246 SAR	11/4/94	angles	linea	.XX±.01/.3				
R	V50585 SAR	6/26/95	0'±2"		.XXX±.005/.13				
S	V50969 SAR	8/3/95			.XXX±.0020/.05				
T	M05-0205 ERE	09/29/05	dr	S. ROYER	11/4/94	FCI		dwg no 65474 sheet 1 of 2 size A3	
U	M06-0238 MN	06/16/08	engr	L. FYE	11/4/94				
V	M06-0389 AGS	10/4/06	chr	L. FYE	11/4/94				
W	FLX-N-01189 J.Z	2012-04-24	appd	L. FYE	11/4/94			type Product Customer Drawing	
sheet index	revision	W	W						
	sheet	1	2						

Copyright FCI
 FCIconnect.com

FORM A3 | 1 | 2 | 3 | 4 | 5 | 6

PRODUCT NUMBER NOTE 3	HOUSING COLOR	TERMINAL BODY		TERMINAL SPRING		HOUSING MATERIAL
		MATERIAL	PLATING	MATERIAL	PLATING	
65474-001	BLUE	.010/.25 THICK 1/4 HD BRASS ALLOY UNS C26000	STRIPE, 40u"/1.02u Au or GXT at CONTACT over 50u"/1.27u Ni	.0048/.122 THICK BE-CU ALLOY UNS C17200 HEAT TREATED	P-Ni/M-050 P-Au/M-003	PLAIN POLYESTER NOTE 1
-002	BLUE	.010/.25 THICK 1/4 HD BRASS ALLOY UNS C26000	SN PLATED	.0048/.122 THICK BE-CU ALLOY UNS C17200 HEAT TREATED	TIN PLATED	PLAIN POLYESTER NOTE 1
-003	DISCONTINUED					
-004	BLUE	.010/.25 THICK 1/4 HD CuNi ALLOY UNS C72500	.001/.03 MIN THICK GOLD DOT	.0048/.122 THICK BE-CU ALLOY UNS C17200 HEAT TREATED	P-Ni/M-050 P-Au/M-003	PLAIN POLYESTER NOTE 1
-005	BLACK	.010/.25 THICK 1/4 HD CuNi ALLOY UNS C72500	.001/.03 MIN THICK GOLD DOT	.0048/.122 THICK BE-CU ALLOY UNS C17200 HEAT TREATED	P-Ni/M-050 P-Au/M-003	PLAIN NORYL NOTE 1
-006	BLACK	.010/.25 THICK 1/4 HD BRASS ALLOY UNS C26000	STRIPE, 40u"/1.02u Au or GXT at CONTACT over 50u"/1.27u Ni	.0048/.122 THICK BE-CU ALLOY UNS C17200 HEAT TREATED	P-Ni/M-050 P-Au/M-003	PLAIN NORYL NOTE 1
-007	SAME AS -004 EXCEPT PACKAGING-RESTRICTED					
-008	SAME AS -004 EXCEPT PACKAGING-RESTRICTED					
-009	BLUE	.010/.25 THICK 1/4 HD BRASS ALLOY UNS C26000	STRIPE, 40u"/1.02u Au or GXT at CONTACT over 50u"/1.27u Ni	.0048/.122 THICK BE-CU ALLOY UNS C17200 HEAT TREATED	30u"/.76u Au	PLAIN NORYL NOTE 1-RESTRICTED
-010	BLUE	.010/.25 THICK 1/4 HD BRASS ALLOY UNS C26000	STRIPE, 30u"/0.76u Au or GXT at CONTACT over 50u"/1.27u Ni	.0048/.122 THICK BE-CU ALLOY UNS C17200 HEAT TREATED	P-Ni/M-050 P-Au/M-003	PLAIN POLYESTER NOTE 1
65474-810	SAME AS -010 EXCEPT ADD SPECIAL MIL MARKING PER NOTE 2					

OB
OB

mat'l. code	surface ISO 1302 ✓	tolerance ISO 406 ISO 1101	projection 	product family JUMPER
ltr ecn nchr date	tolerances unless otherwise specified		title MINI-JUMP ASSEMBLY .100/2.54cc	
W	angles lineal	.XX±.01/.3 .XXX±.005/.13 .XXX±.0020/.051	INCH/MM scale 6:1	dwg no 65474
	dr S. ROYER	11/4/94		shee 2 of 2 size A3
	enr L. FYE	11/4/94		type Product Customer Drawing
	chr L. FYE	11/4/94		
	app L. FYE	11/4/94		
sheet index	revision sheet			

Copyright FCI
 FCJ
 FCIconnect.com