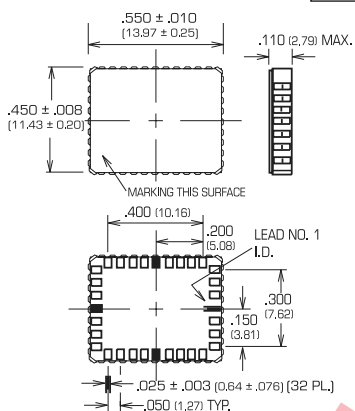


MODEL 072
750 kHz – 30 MHz TTL Oscillator

Surface Mount 32 Pad Leadless Chip Carrier

Frequency Range	Input Current @ 5.25 V mA	Rise & Fall Time (.8 & 2.0 V) ns	Duty Cycle @ 1.4 V	Unit Loads (max.)
750.0 kHz to 12.0 MHz	45	15	45 to 55	10 TTL
12.1 MHz to 30.0 MHz	30	5	40 to 60	10 TTL

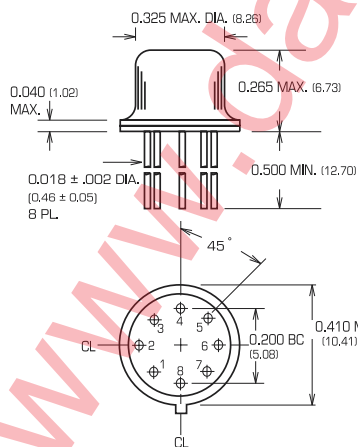


PIN CONNECTIONS

- 12, 16 – GND
- 8 – Output
- 26, 32 – VCC
- All Others N/C

MODEL 717
375 kHz – 65 MHz TTL Oscillator

8-Pin TO-5 Package
Generic Equivalent of MIL-PRF-55310/09
Optional Height 0.20" (5.08mm)



PIN CONNECTIONS

- 4 – GND/Case
- 5 – Output
- 8 – VCC
- All Others N/C